



US00D987392S

(12) **United States Design Patent** (10) **Patent No.:** **US D987,392 S**
Martin (45) **Date of Patent:** **** May 30, 2023**

(54) **OPENING TOOL**

(71) Applicant: **Karen Carter Martin**, Fort Worth, TX (US)

(72) Inventor: **Karen Carter Martin**, Fort Worth, TX (US)

(**) Term: **15 Years**

(21) Appl. No.: **29/784,642**

(22) Filed: **May 20, 2021**

(51) **LOC (14) Cl.** **08-05**

(52) **U.S. Cl.**
USPC **D8/16**

(58) **Field of Classification Search**
USPC D8/14, 16, 17, 18, 19, 20, 45, 88, 89, 98
CPC B67B 7/30; B65B 69/0033; B26B 27/005
See application file for complete search history.

(56) **References Cited**

U.S. PATENT DOCUMENTS

D322,201 S	*	12/1991	Rokita	D8/18
D338,607 S	*	8/1993	Anderson	D8/98
D359,209 S	*	6/1995	Carey	D8/20
D400,068 S	*	10/1998	Gold	D8/20
D434,622 S	*	12/2000	Jaynes	D8/17
D438,766 S	*	3/2001	Lock	D8/20
D502,185 S	*	2/2005	Byrne	D15/17
D513,685 S	*	1/2006	Katz	366/205
D637,876 S	*	5/2011	Williams	D8/20
D721,553 S	*	1/2015	Van Dalen	D8/20

D752,389 S	*	3/2016	Lee	D7/378
D805,864 S	*	12/2017	Stangeland	D8/18
D893,280 S	*	8/2020	Adelman	D8/21
D911,395 S	*	2/2021	Dimitracopoulos	D15/17
2021/0316467 A1	*	10/2021	Martin	B26B 27/005
2022/0041423 A1	*	2/2022	Martin	B65B 69/0033

* cited by examiner

Primary Examiner — Philip S Hyder

(74) *Attorney, Agent, or Firm* — Brian K. Yost; Decker Jones, PC

(57) **CLAIM**

The ornamental design for an opening tool, as shown and described.

DESCRIPTION

FIG. 1 is a top, left, and front, isometric view of the opening tool, according to my new design.

FIG. 2 is a top, left, and rear, isometric view of the opening tool of FIG. 1.

FIG. 3 is a top plan view of the opening tool of FIG. 1.

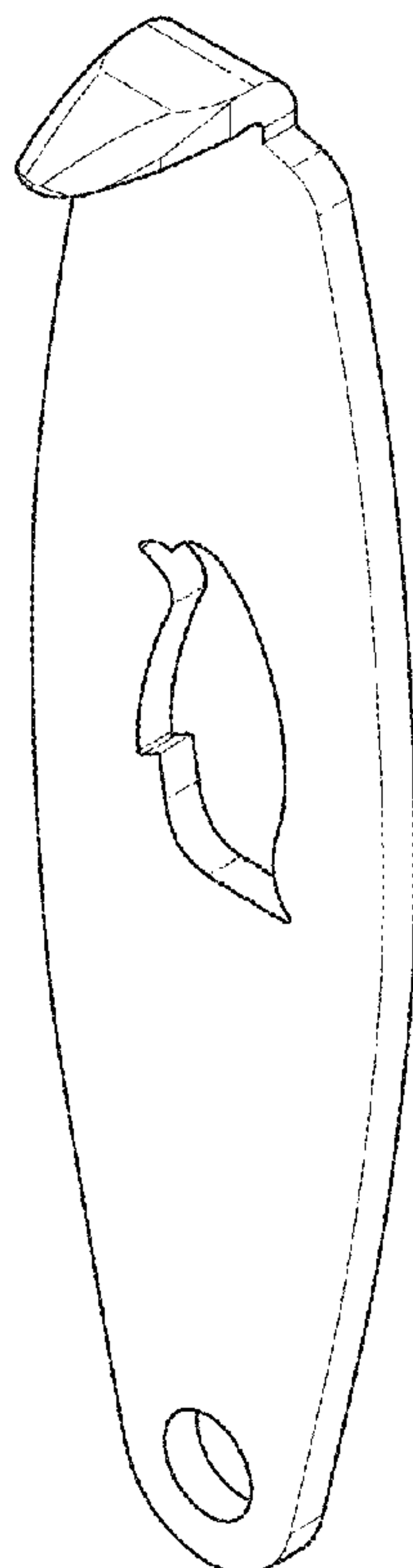
FIG. 4 is a bottom plan view of the opening tool of FIG. 1.

FIG. 5 is a rear elevation view of the opening tool of FIG. 1.

FIG. 6 is a left elevation view of the opening tool of FIG. 1, the right side being a mirror image of the left side; and,

FIG. 7 is a front elevation view of the opening tool of FIG. 1.

1 Claim, 2 Drawing Sheets



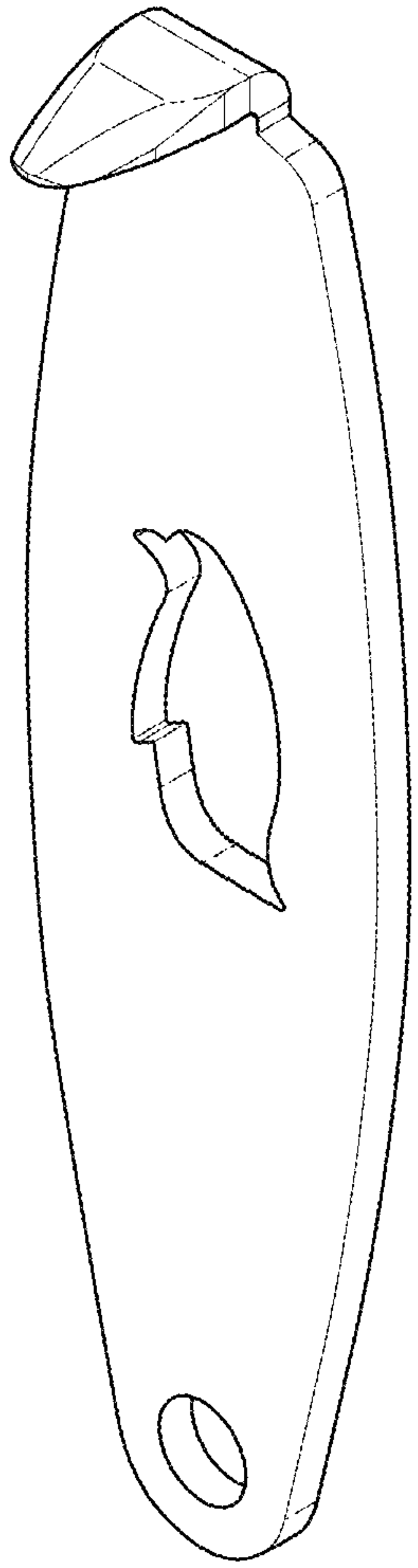


Fig. 1

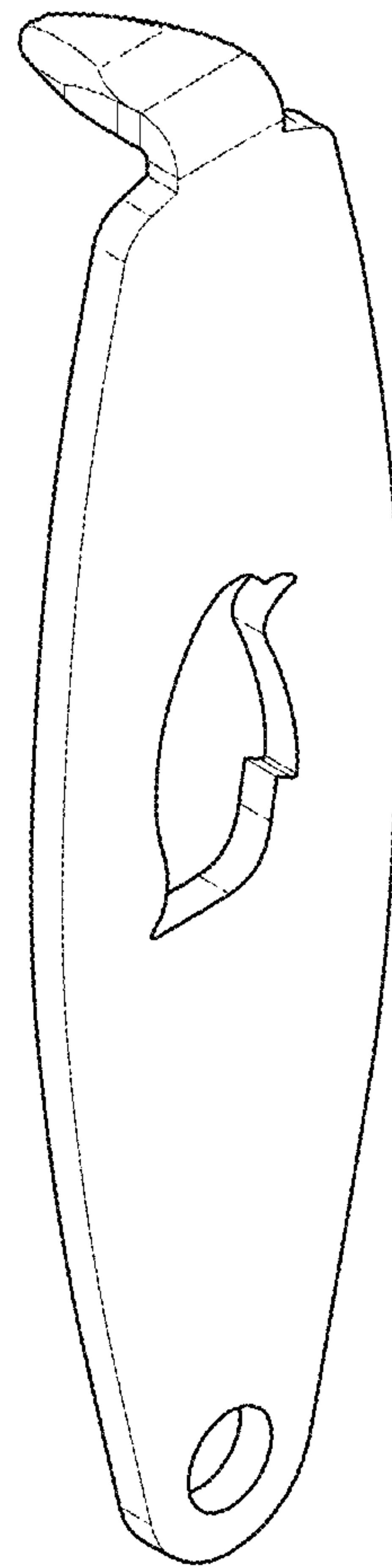


Fig. 2

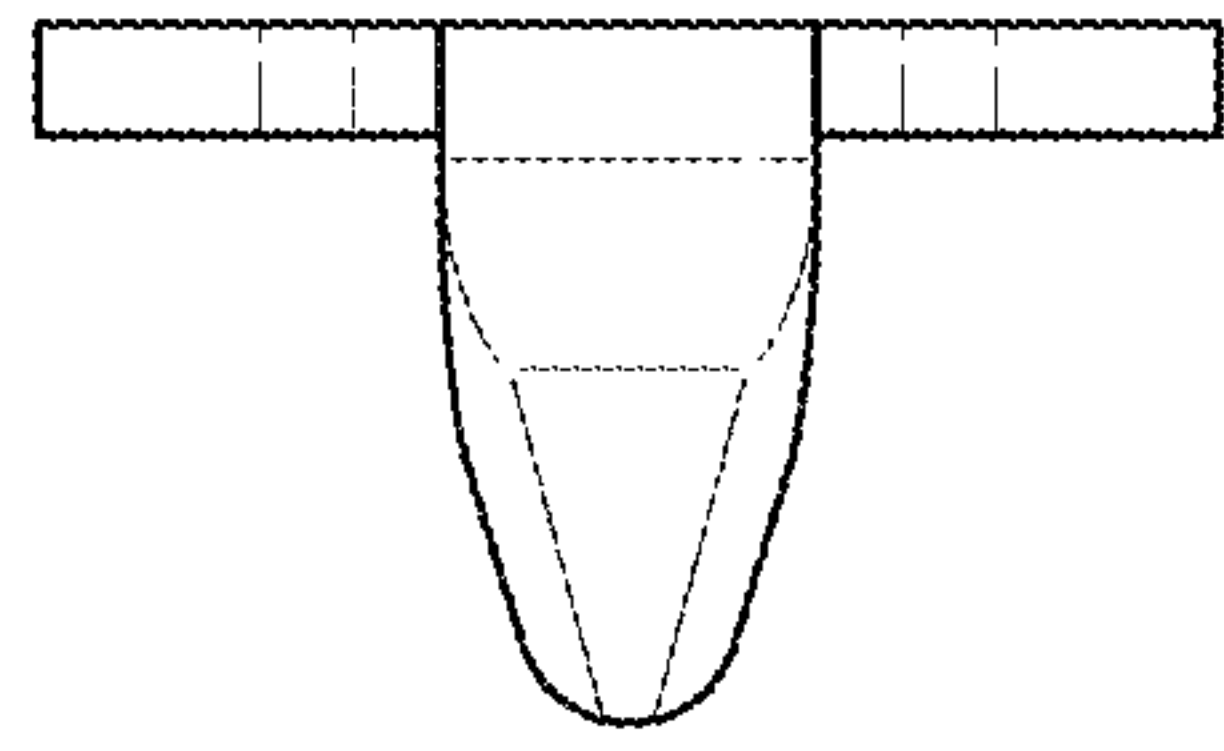


Fig. 3

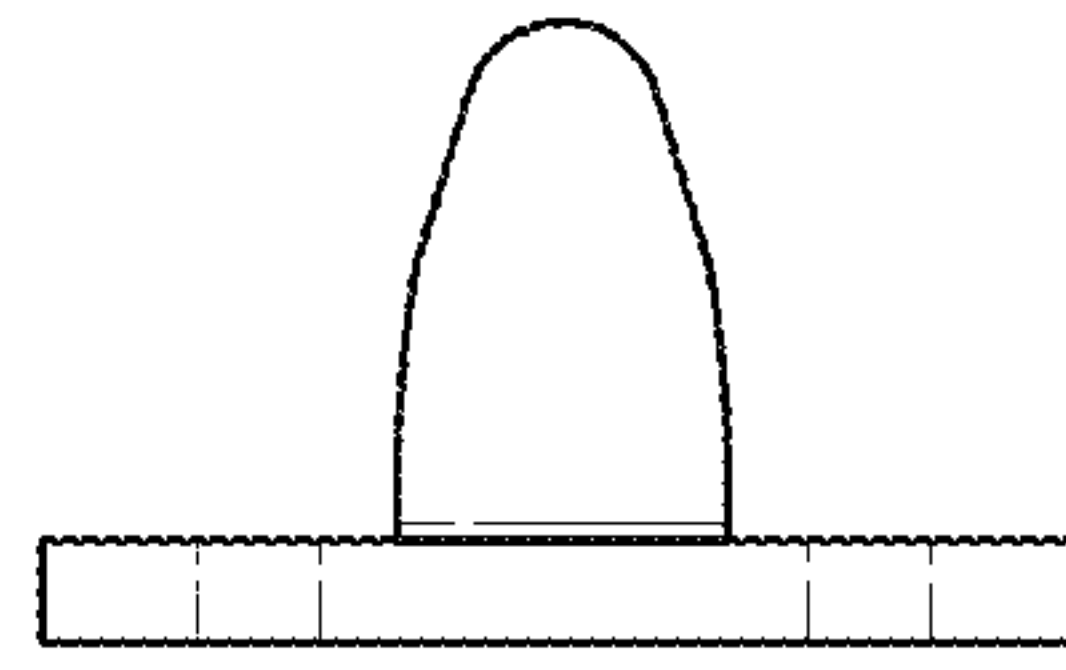


Fig. 4

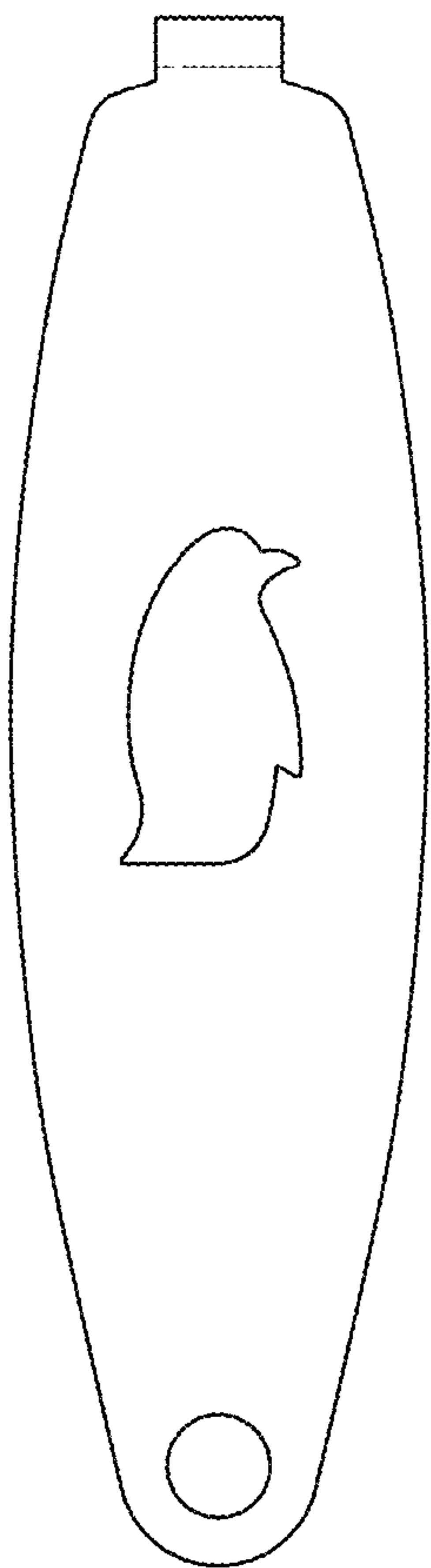


Fig. 5

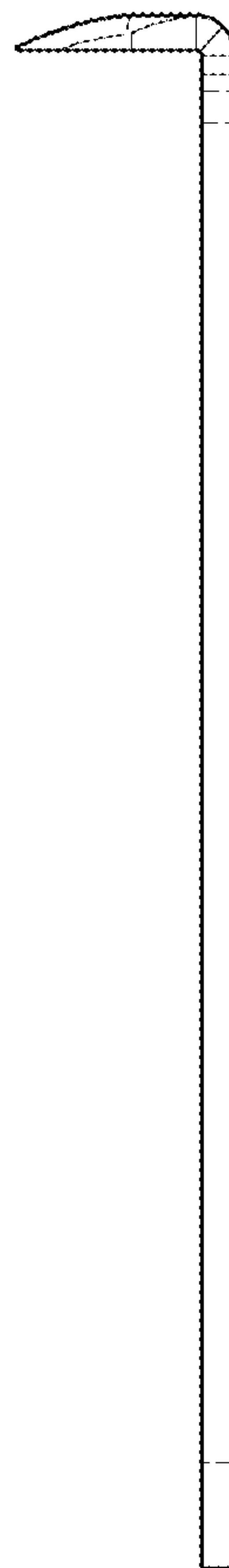


Fig. 6

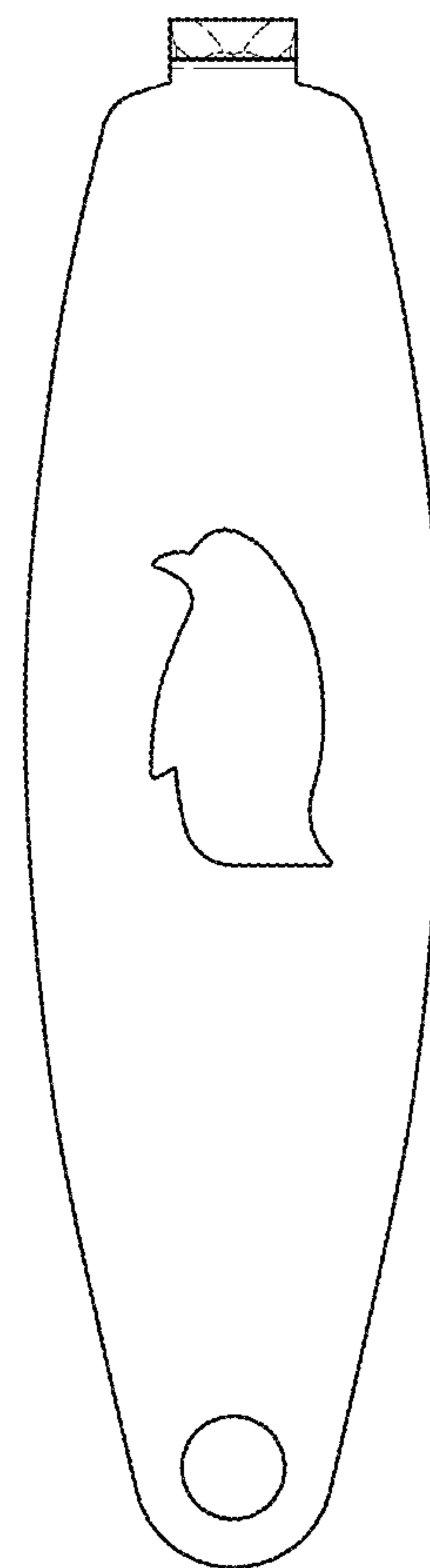


Fig. 7