



US00D987391S

(12) **United States Design Patent** (10) **Patent No.:** **US D987,391 S**
Hunt (45) **Date of Patent:** **** May 30, 2023**

- (54) **TWO TIER SERVER**
- (71) Applicant: **Spectrum Diversified Designs, LLC**,
Streetsboro, OH (US)
- (72) Inventor: **Bridget Hunt**, Cleveland, OH (US)
- (73) Assignee: **Spectrum Diversified Designs, LLC**,
Glenwillow, OH (US)
- (**) Term: **15 Years**
- (21) Appl. No.: **29/797,647**
- (22) Filed: **Jul. 1, 2021**
- (51) **LOC (14) Cl.** **07-99**
- (52) **U.S. Cl.**
USPC **D7/704; D7/306**
- (58) **Field of Classification Search**
USPC D7/601, 600.1–600.4, 701–78; D3/304,
D3/306–314; D6/675.5, 677.5, 676.5,
D6/675.2, 678.4, 680.3, 683.1
CPC A47F 7/00; A47F 7/0071; A47F 7/0078;
A47F 5/00; A47F 5/01; A47F 5/14; A47F
5/13; A47B 75/00; A47B 55/00; A47B
55/02; A47J 47/00; A47J 47/16; B65D
7/20; B65D 7/00; B65D 7/14; B65D
9/00; B65D 9/10; B65D 11/00; B65D
11/14; B65D 21/0211; B65D 21/00; A47L
19/04
See application file for complete search history.

D619,363 S *	7/2010	Hertaus	D3/306
D629,656 S *	12/2010	Goodman	D7/601
D634,933 S *	3/2011	Hertaus	D3/306
D637,000 S *	5/2011	Goodman	D3/306
D656,758 S *	4/2012	Snider	D6/677.2
D664,006 S *	7/2012	Goodman	D7/601
D679,544 S *	4/2013	Goodman	D7/501
D760,515 S *	7/2016	Snider	D6/675.2
D833,223 S *	11/2018	Wilson	D7/601
D848,150 S *	5/2019	Goodman	D3/306
D893,189 S *	8/2020	Hu	D3/307
D955,178 S *	6/2022	Nie	D7/601
2011/0253711 A1 *	10/2011	Hertaus	A47F 5/01 220/4.27

OTHER PUBLICATIONS

Amazon.com, BirdRockHome, 2 Tier Wire Fruit Basket Bowl, ASIN: B01N9EBKKK, 11 pages, date first available Dec. 4, 2016 (Year: 2016).*

Amazon.com, Fruit Basket 2 Tier Detachable Square Farmhouse Fruit Bowl Organizer, ASIN: B0BLYTRHYX, 8 pages, date first available Nov. 10, 2022 (Year: 2022).*

* cited by examiner

Primary Examiner — Terry A Wallace
(74) *Attorney, Agent, or Firm* — Tucker Ellis LLP

(57) **CLAIM**

The ornamental design for a two tier server, as shown and described.

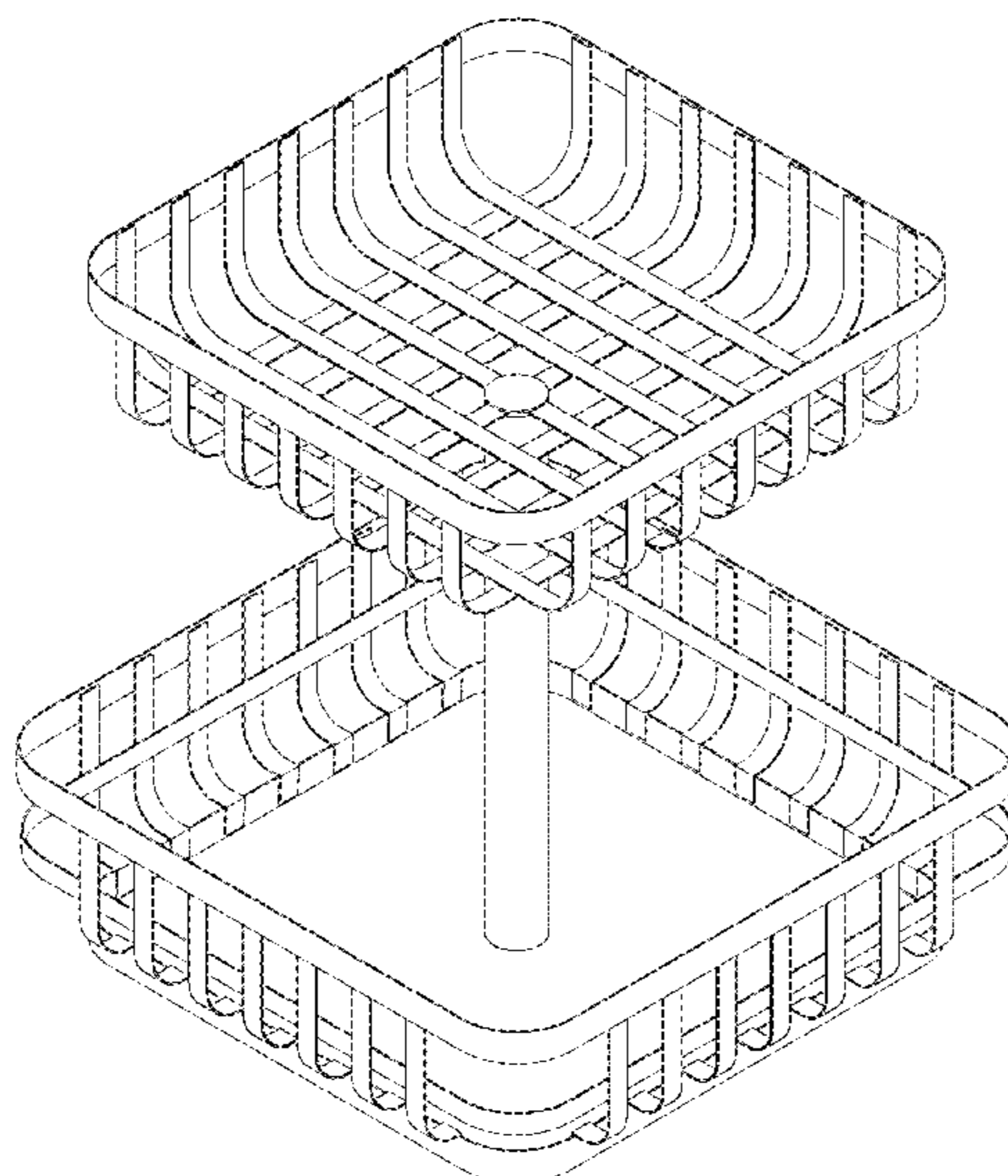
DESCRIPTION

FIG. 1 is a front perspective view of a two tier server showing my new design.
FIG. 2 is a front view thereof.
FIG. 3 is a rear view thereof.
FIG. 4 is a left side view thereof.
FIG. 5 is a right side view thereof.
FIG. 6 is a top view thereof; and,
FIG. 7 is a bottom view thereof.

1 Claim, 7 Drawing Sheets

(56) **References Cited**
U.S. PATENT DOCUMENTS

1,445,259 A *	2/1923	Wiselogel	B65D 7/20 220/491
D216,758 S *	3/1970	Di Pierro	D3/25
4,345,526 A *	8/1982	Streit	A47B 47/04 211/205
D333,744 S *	3/1993	Zimmerman	D6/680
D507,108 S *	7/2005	Suero, Jr.	D6/513



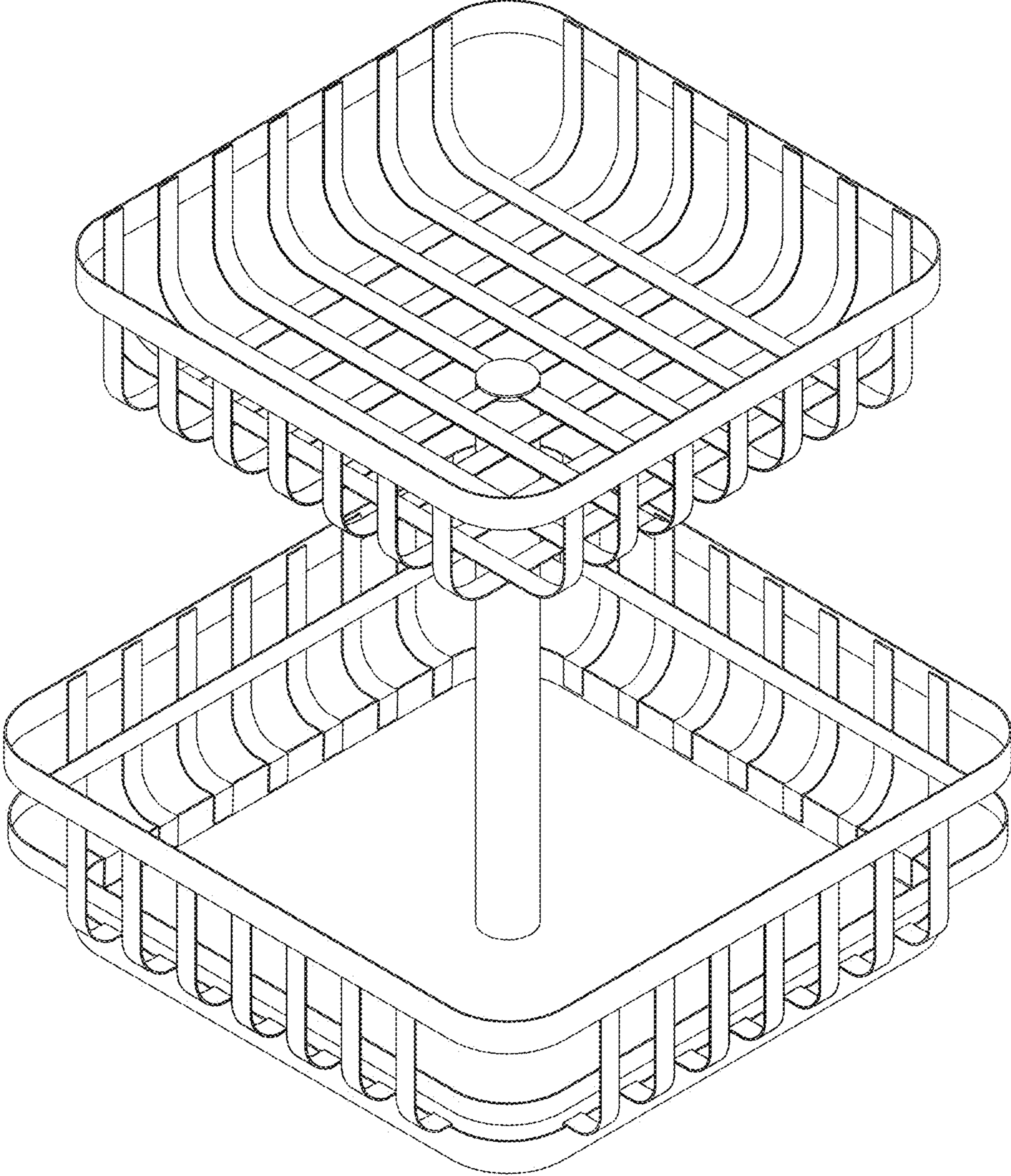


FIG. 1

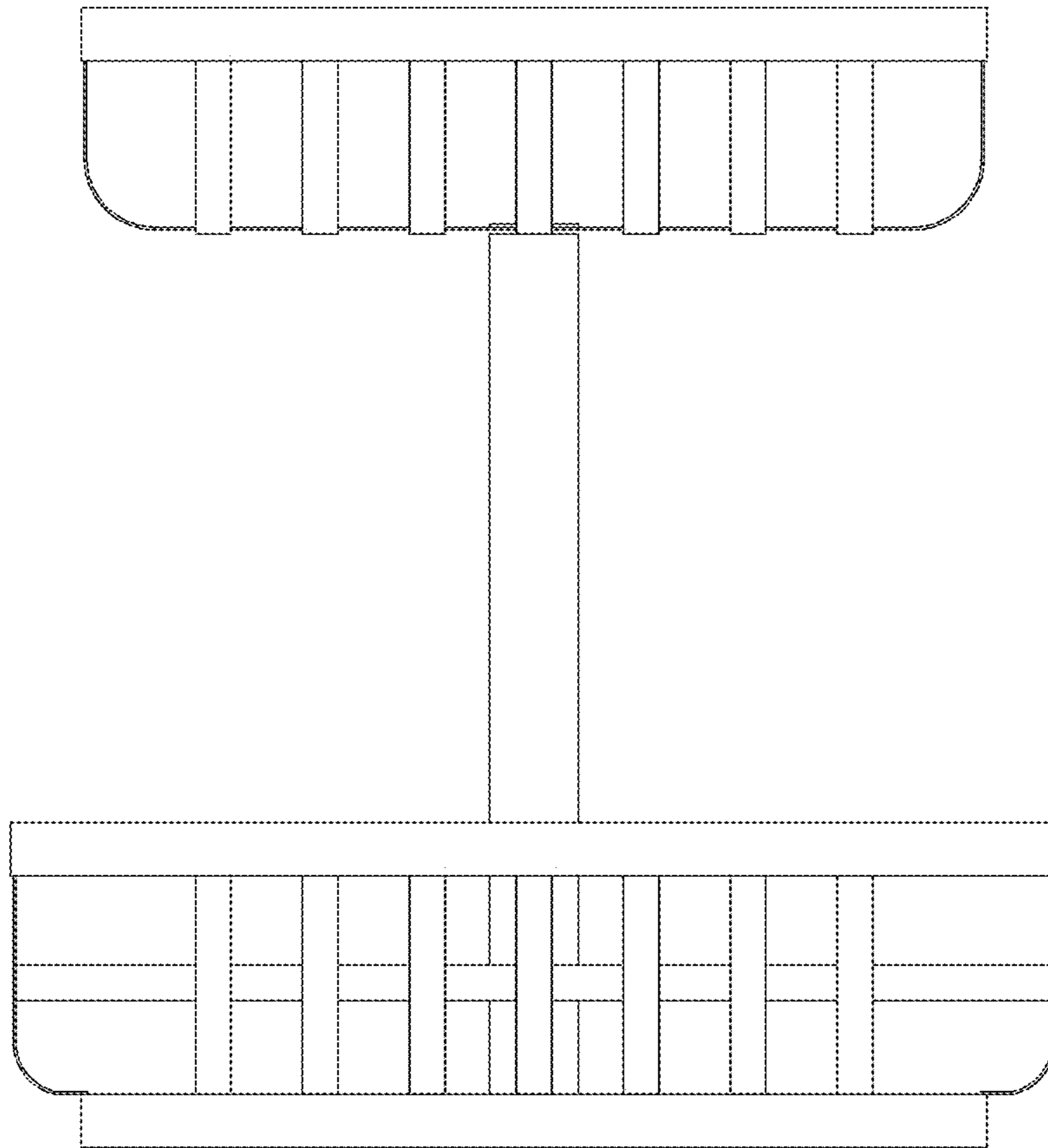


FIG. 2

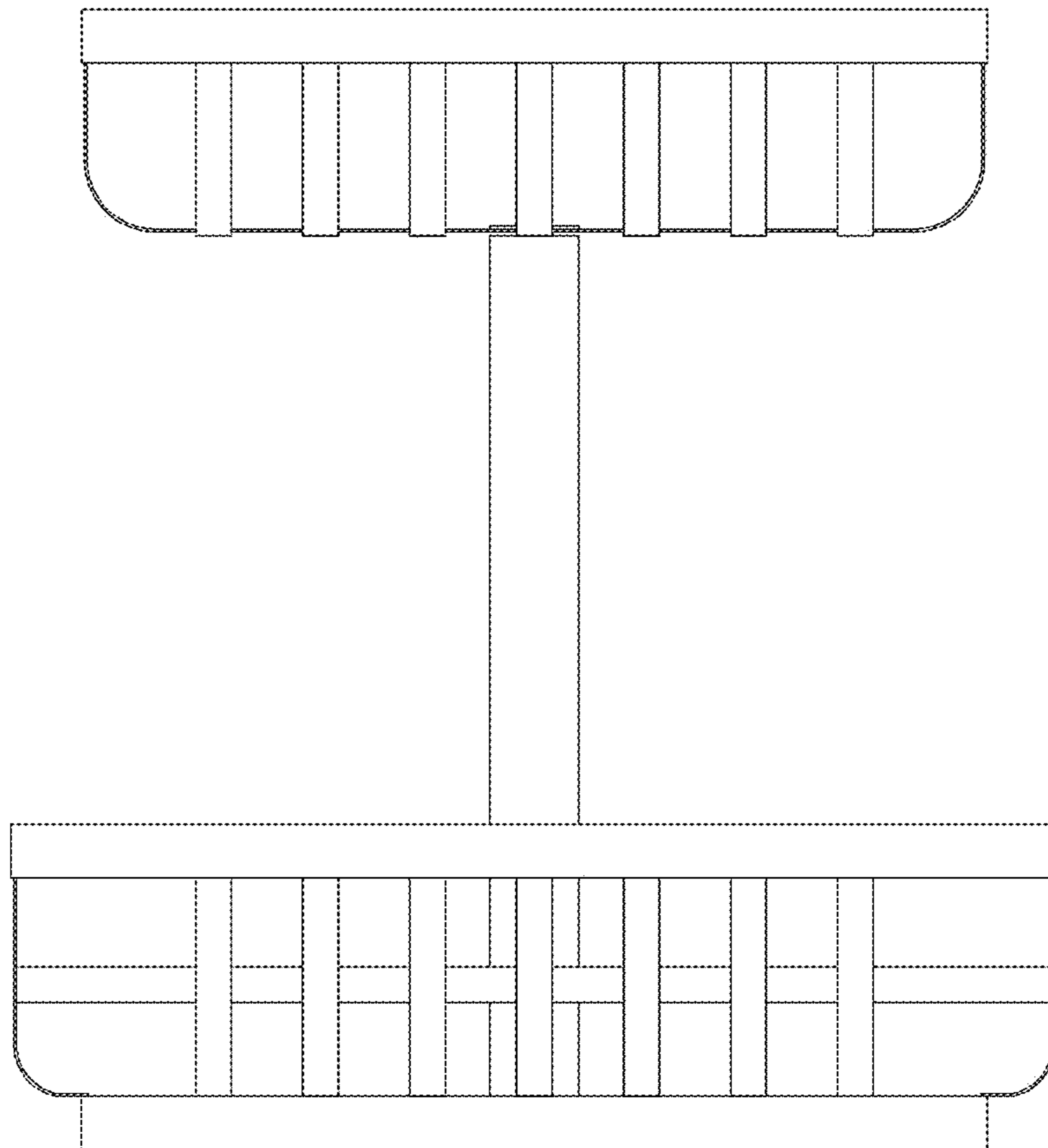


FIG. 3

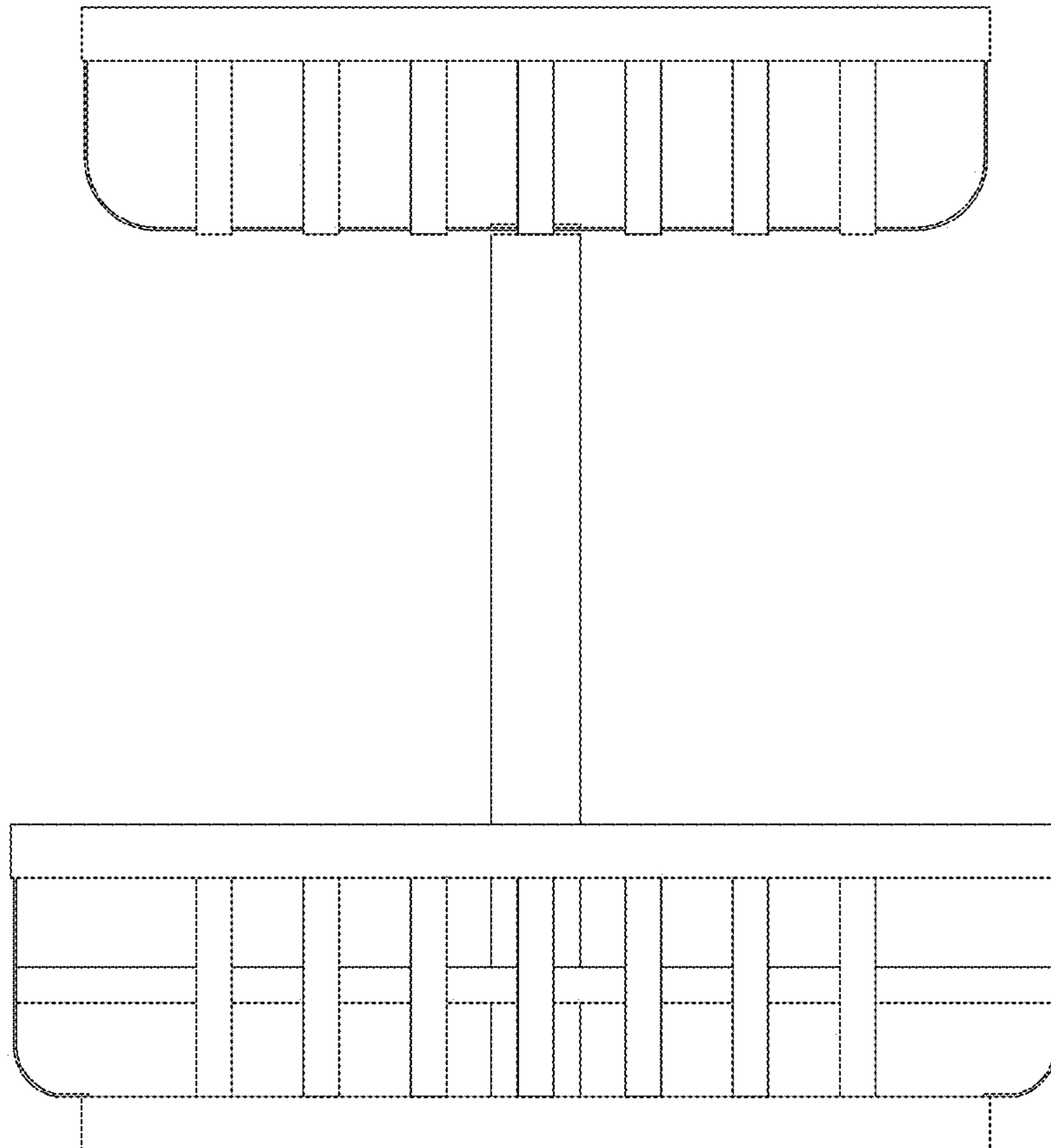


FIG. 4

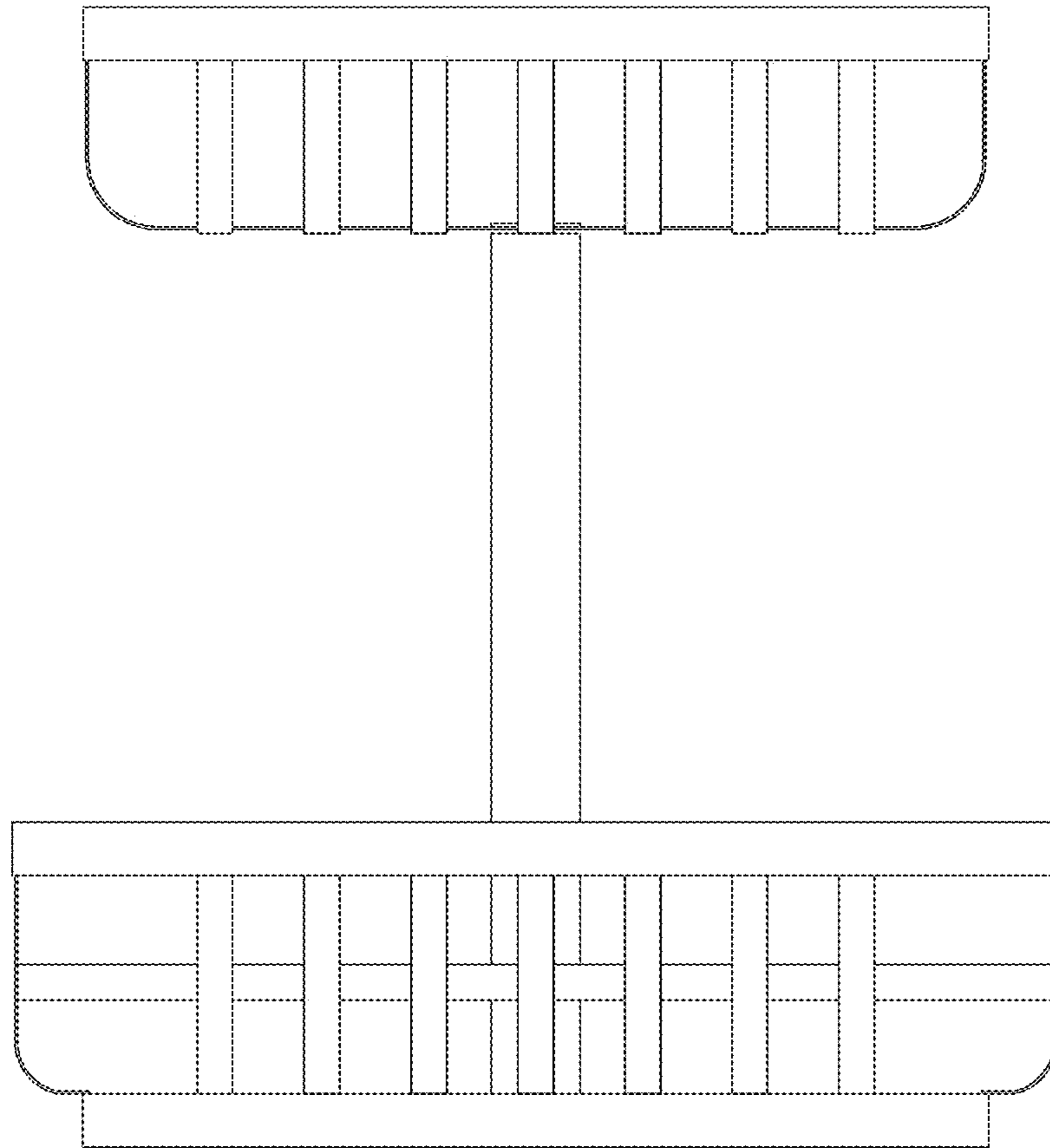


FIG. 5

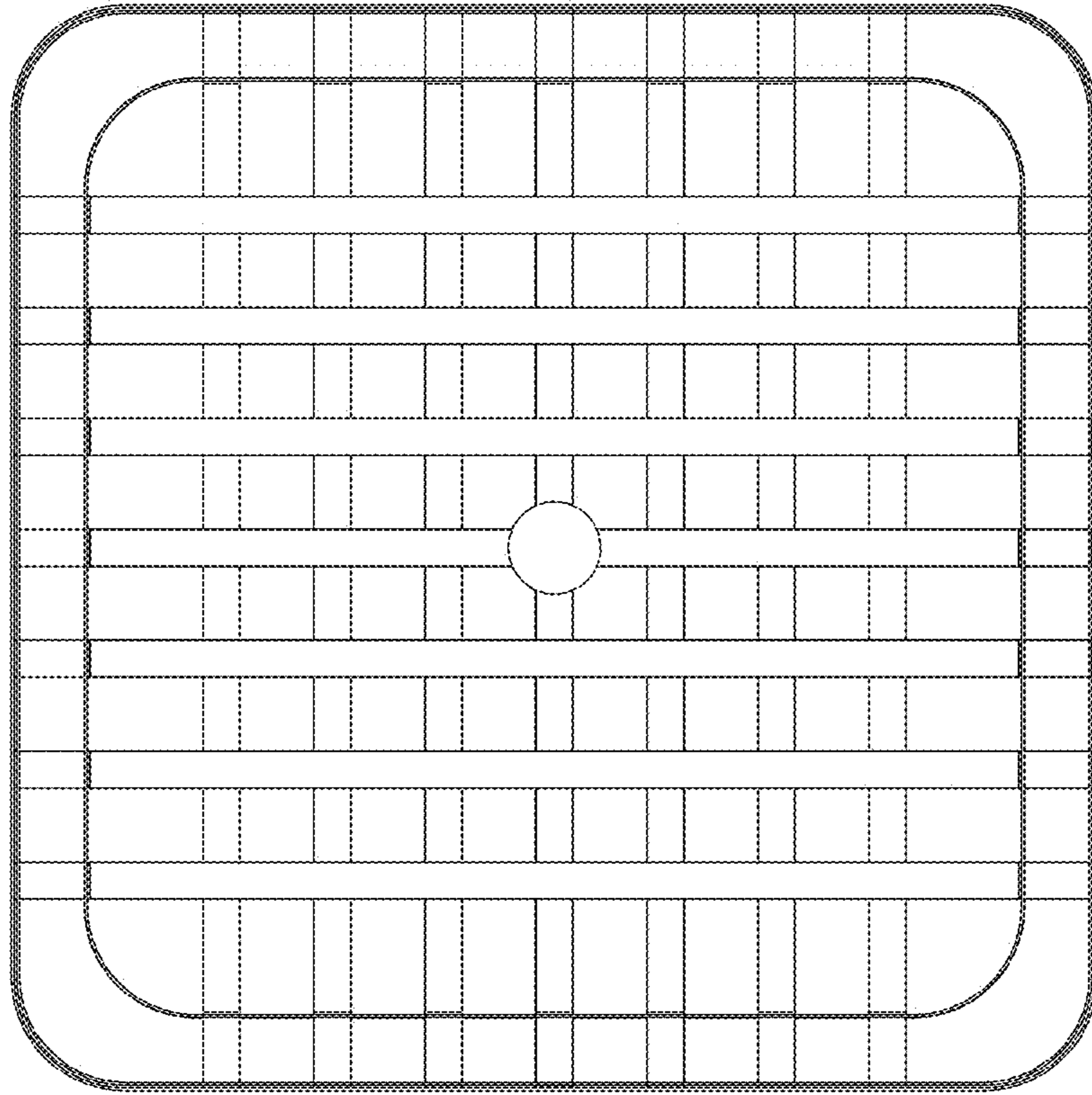


FIG. 6

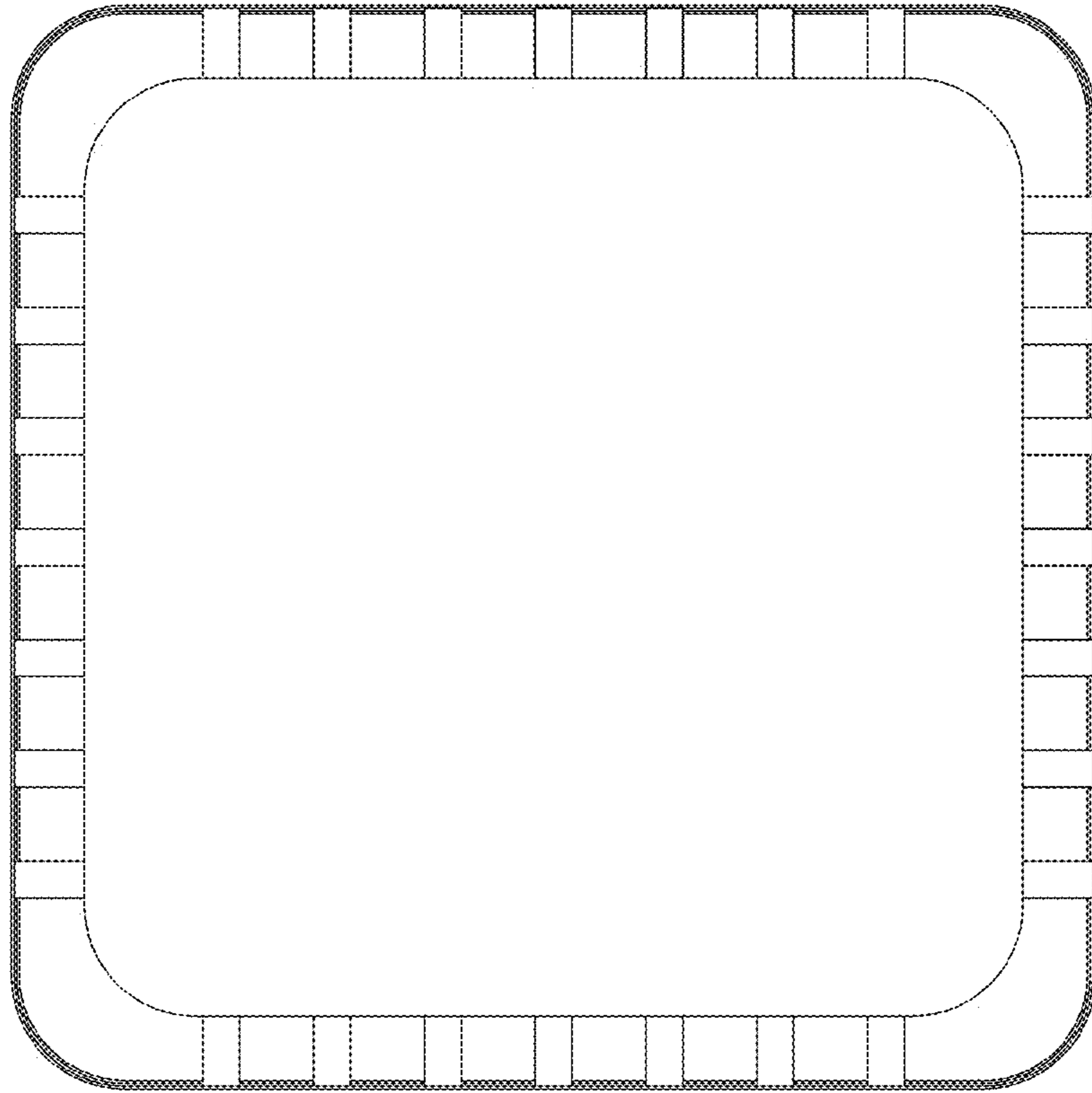


FIG. 7