



US00D987388S

(12) **United States Design Patent** (10) **Patent No.:** **US D987,388 S**  
**Zeng** (45) **Date of Patent:** **\*\* May 30, 2023**

(54) **FOOTBALL SHAPED BBQ SPATULA**

(71) Applicant: **Leping Zeng**, Jiangxi (CN)

(72) Inventor: **Leping Zeng**, Jiangxi (CN)

(\*\*) Term: **15 Years**

(21) Appl. No.: **29/796,508**

(22) Filed: **Jun. 24, 2021**

(51) **LOC (14) Cl.** ..... **07-04**

(52) **U.S. Cl.**  
USPC ..... **D7/689**

(58) **Field of Classification Search**  
USPC ..... D7/680-696, 368, 669, 393, 395; 294/7,  
294/8, 176  
CPC .. A21B 3/003; A21B 3/00; A47F 13/08; A47J  
43/28; A47J 43/00; A47J 43/288; A47J  
43/283; A47J 43/281; A47G 21/045  
See application file for complete search history.

(56) **References Cited**

U.S. PATENT DOCUMENTS

D195,865 S *	8/1963	Sundquist	.....	D7/686
3,464,730 A *	9/1969	Gagliardi	.....	A47J 43/288
				294/7
D248,270 S *	6/1978	Petit	.....	D7/689
D598,249 S *	8/2009	Frank	.....	D7/688
D660,101 S *	5/2012	Serrano	.....	D7/685
D685,607 S *	7/2013	Serrano	.....	D7/395
8,746,765 B1 *	6/2014	Mafi	.....	A47J 43/288
				294/7

OTHER PUBLICATIONS

Amazon.com, DEI Football Grill Tools, ASIN: B01AX1FBBI, 7 pages, date first available Jan. 21, 2016 (Year: 2016).\*  
Amazon.com, Siskiyou Sports NFL Unisex Chef's Choice Wood Spatula, ASIN: B07J4ZFL2F, 6 pages, date first available Oct. 9, 2018 (Year: 2018).\*

\* cited by examiner

Primary Examiner — Terry A Wallace

(74) Attorney, Agent, or Firm — ScienBiziP, P.C.

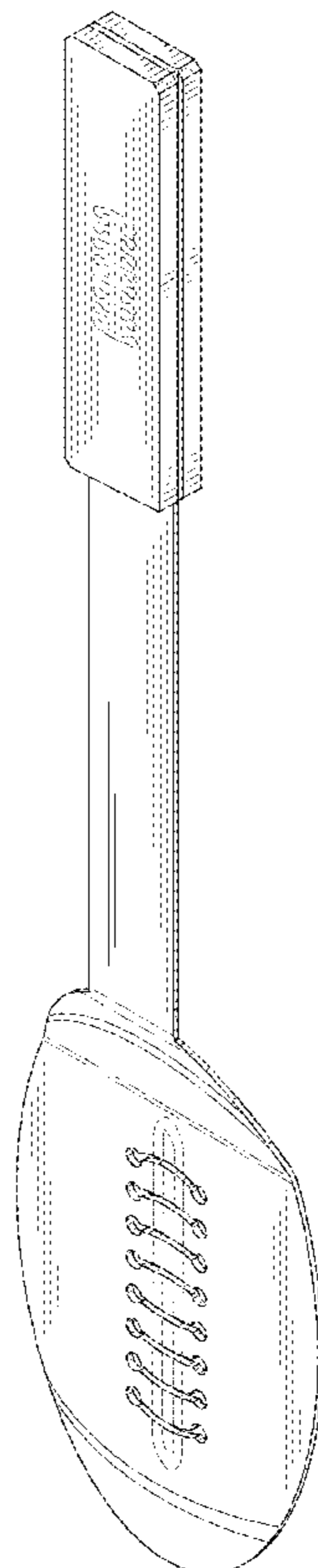
(57) **CLAIM**

The ornamental design for a football shaped bbq spatula, as shown and described.

**DESCRIPTION**

FIG. 1 is a front, right, and top perspective view of a football shaped bbq spatula, showing my design.  
FIG. 2 is a rear, left, and bottom perspective view thereof.  
FIG. 3 is a front elevation view thereof.  
FIG. 4 is a rear elevation view thereof.  
FIG. 5 is a left side elevation view thereof.  
FIG. 6 is a right side elevation view thereof.  
FIG. 7 is a top plan view thereof; and,  
FIG. 8 is a bottom plan view thereof.

**1 Claim, 8 Drawing Sheets**



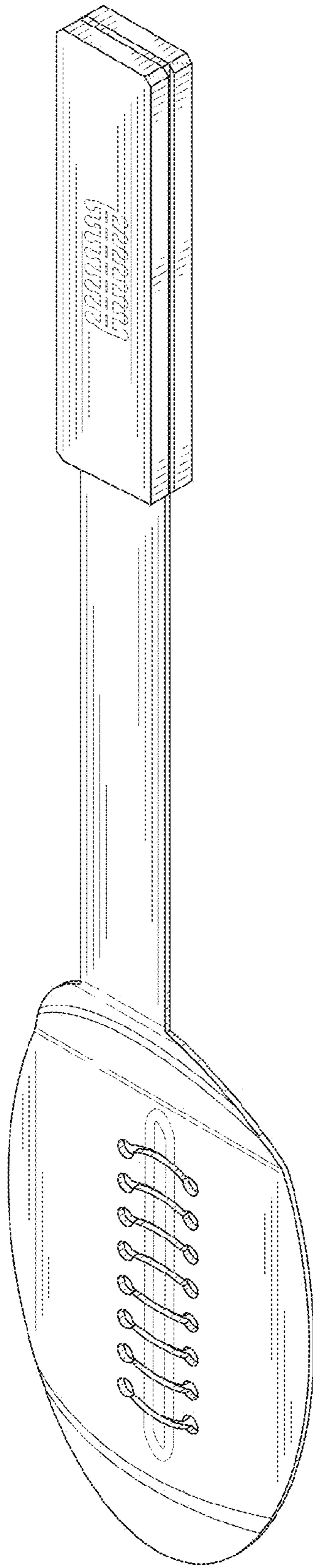


FIG. 1

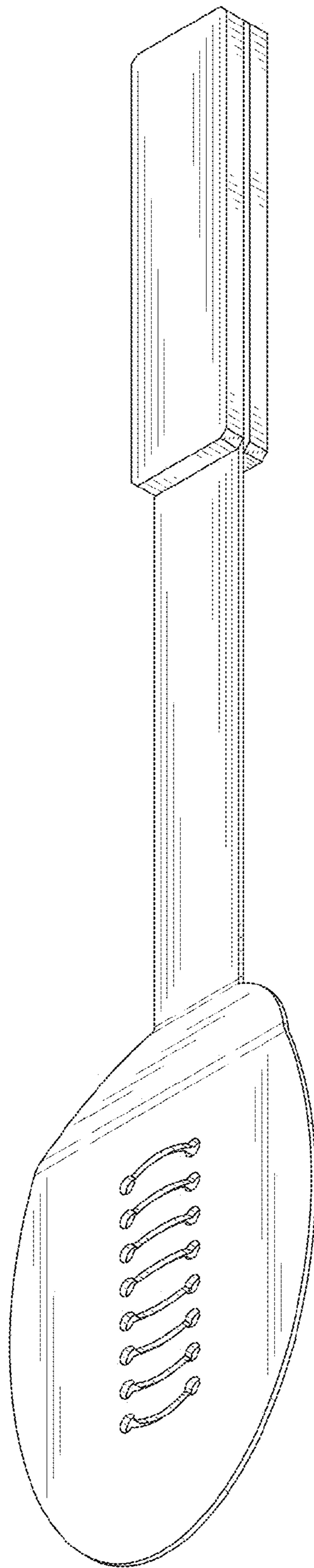


FIG. 2

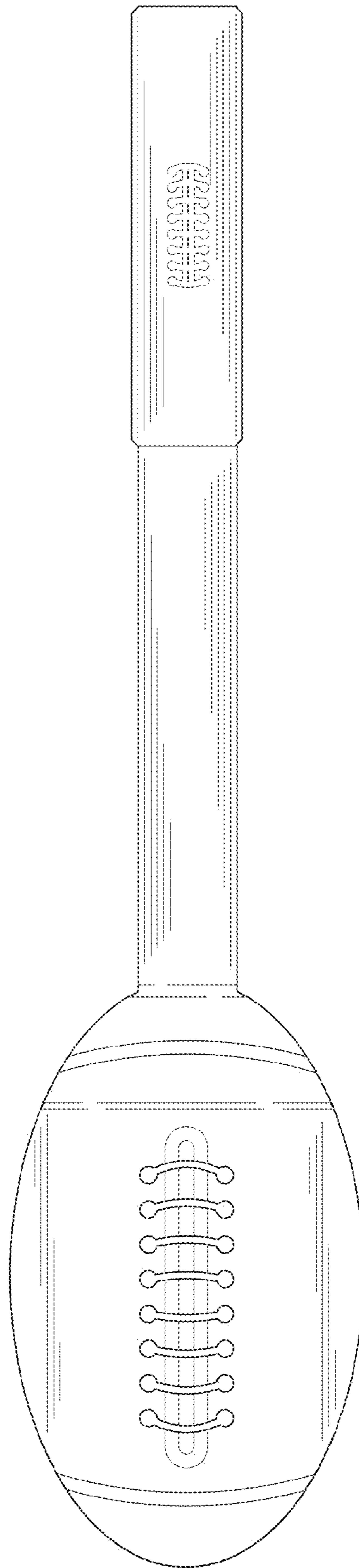


FIG. 3

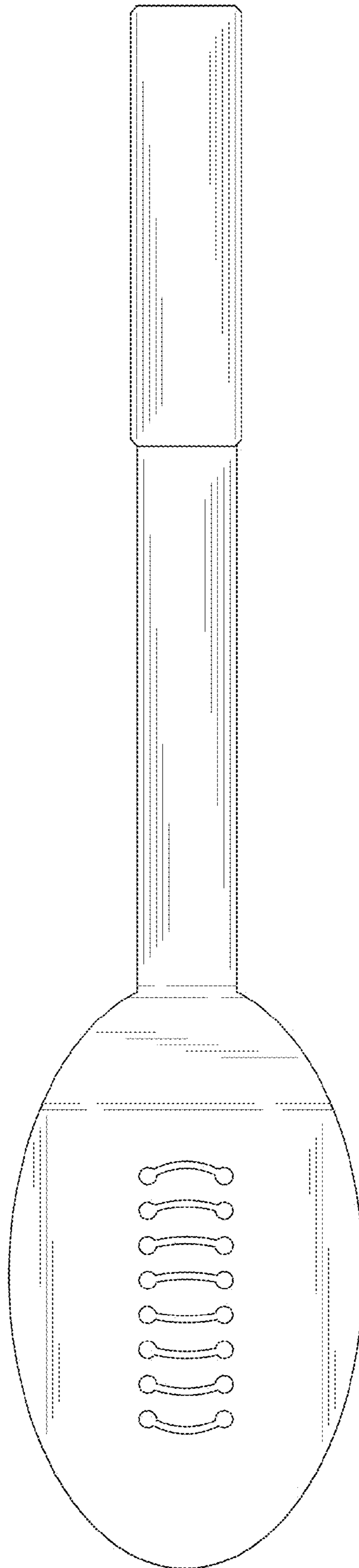


FIG. 4



FIG. 5

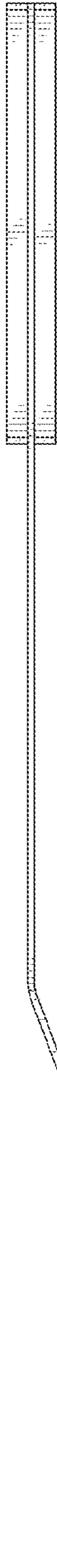


FIG. 6

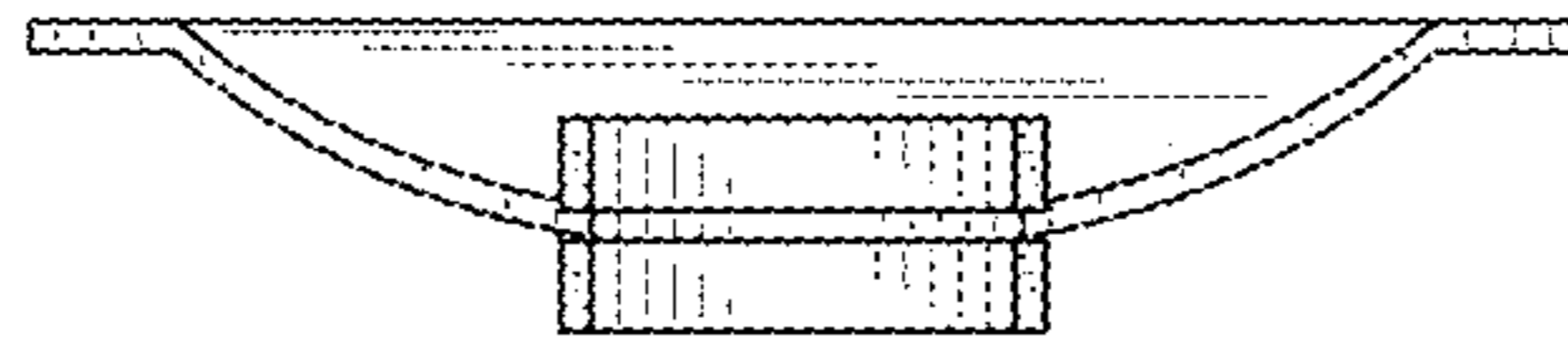


FIG. 7



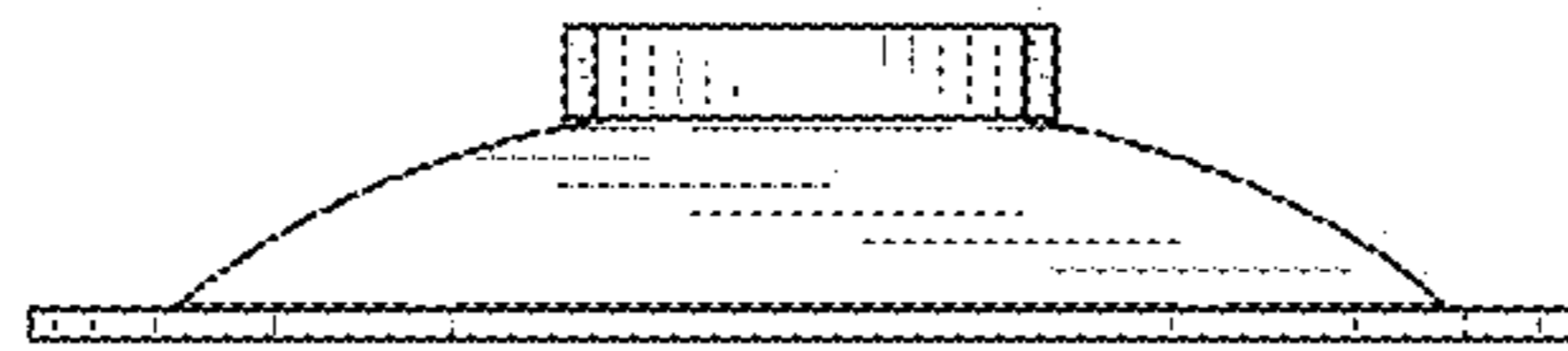


FIG. 8