



US00D987385S

(12) **United States Design Patent** (10) **Patent No.:** **US D987,385 S**  
**Bock** (45) **Date of Patent:** **\*\* May 30, 2023**

(54) **JUICE EXTRACTOR**

(71) Applicant: **Hamilton Beach Brands, Inc.**, Glen Allen, VA (US)

(72) Inventor: **Brian Bock**, Midlothian, VA (US)

(73) Assignee: **Hamilton Beach Brands, Inc.**, Glen Allen, VA (US)

(\*\*) Term: **15 Years**

(21) Appl. No.: **29/830,360**

(22) Filed: **Mar. 11, 2022**

**Related U.S. Application Data**

(63) Continuation-in-part of application No. 29/822,470, filed on Jan. 10, 2022, and a continuation of application No. 17/571,649, filed on Jan. 10, 2022.

(51) **LOC (14) Cl.** ..... **31-00**

(52) **U.S. Cl.**  
USPC ..... **D7/665; D7/378; D7/667**

(58) **Field of Classification Search**  
USPC ..... D7/665-668, 369, 378  
CPC ..... A47J 19/00; A47J 19/02; A47J 19/027;  
A47J 19/06; A47J 44/00; A47J 43/046;  
A47J 43/0716; A23N 1/00; A23N 1/003;  
A23N 1/02; A23N 1/006  
See application file for complete search history.

(56) **References Cited**

**U.S. PATENT DOCUMENTS**

D350,451 S \* 9/1994 Dickson ..... D7/378  
5,495,795 A \* 3/1996 Harrison ..... A47J 19/027  
241/37.5

D439,808 S \* 4/2001 McClean ..... D7/665  
D506,108 S \* 6/2005 Cohen ..... D7/665  
D650,641 S \* 12/2011 Fung ..... D7/665  
D787,896 S \* 5/2017 Ye ..... D7/665  
2003/0061944 A1 \* 4/2003 Fouquet ..... A47J 19/027  
99/511

**OTHER PUBLICATIONS**

Amazon.com, Hilax Centrifugal Juicer Machine, ASIN: B09KG9YN8V, 14 pages, date first available Oct. 27, 2021 (Year: 2021).\*

\* cited by examiner

*Primary Examiner* — Terry A Wallace

(74) *Attorney, Agent, or Firm* — Alexander D. Raring

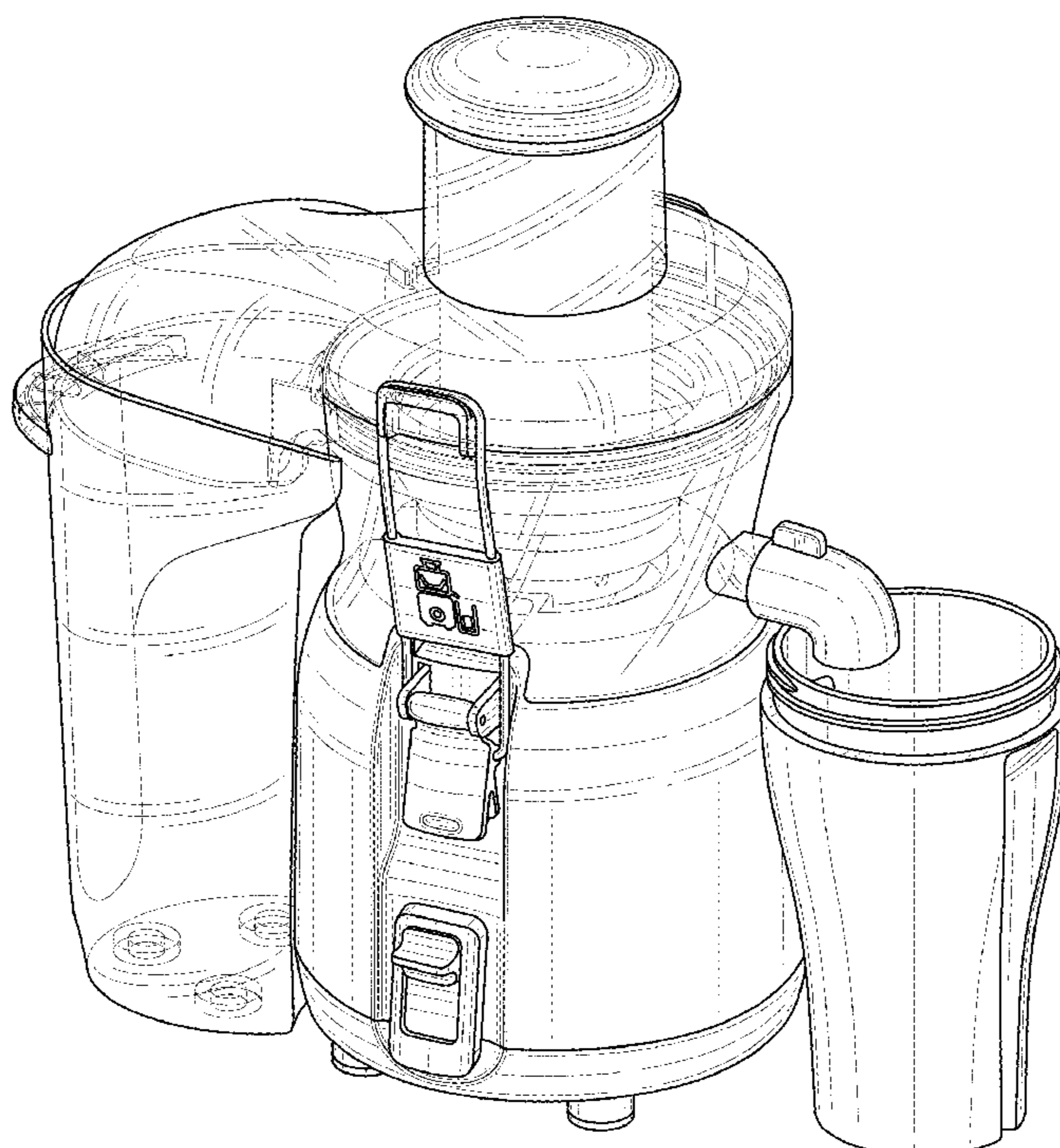
(57) **CLAIM**

The ornamental design for a juice extractor, as shown and described.

**DESCRIPTION**

FIG. 1 is a perspective view of the claimed design as seen from the top, front and right side of a juice extractor; FIG. 2 is front view thereof; FIG. 3 is an rear view thereof; FIG. 4 is a right side view thereof; FIG. 5 is a left side view thereof; FIG. 6 is a top view thereof; and, FIG. 7 is a bottom view thereof. The broken lines in the drawings depict portions of the juice extractor that form no part of the claimed design.

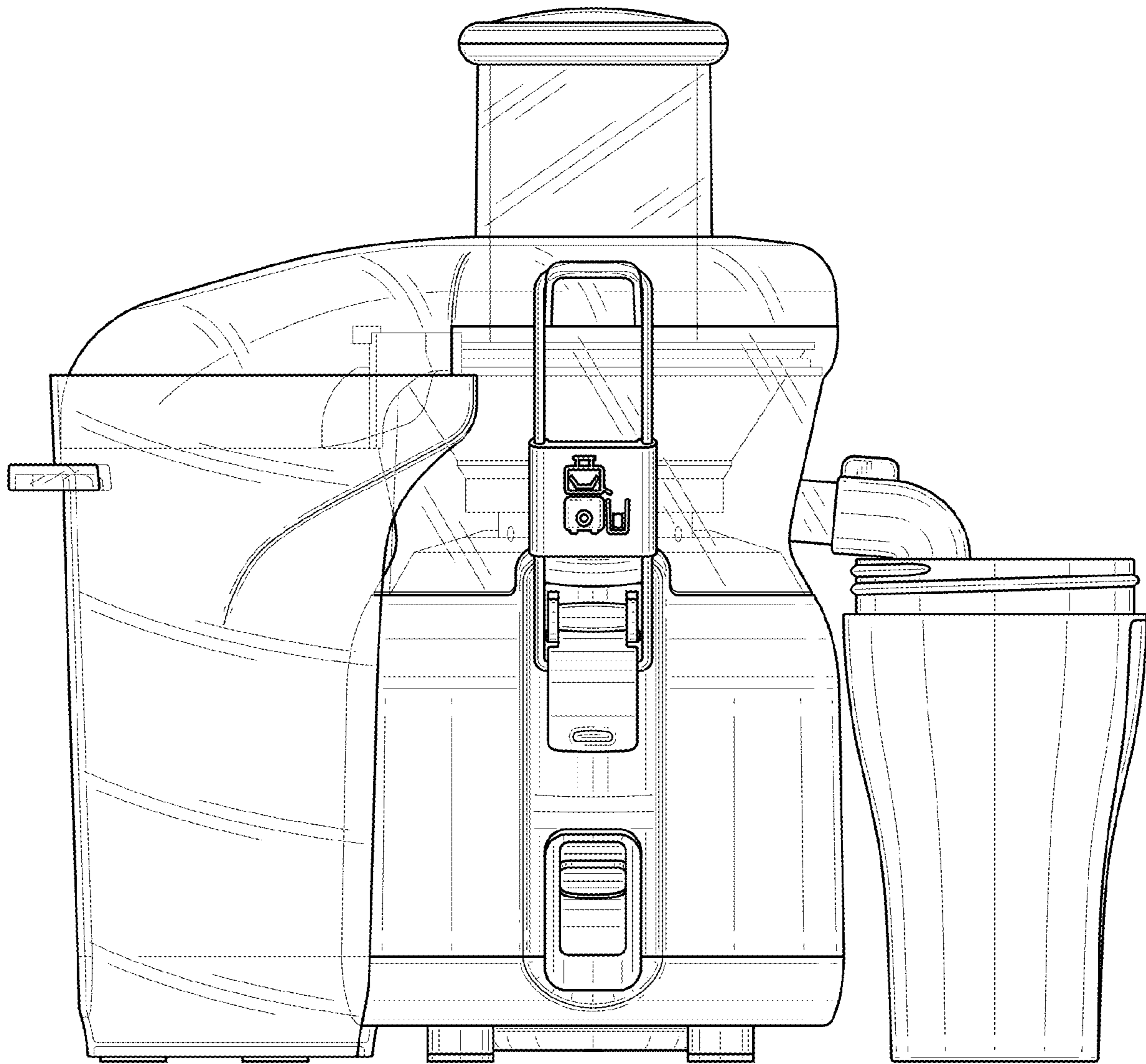
**1 Claim, 7 Drawing Sheets**



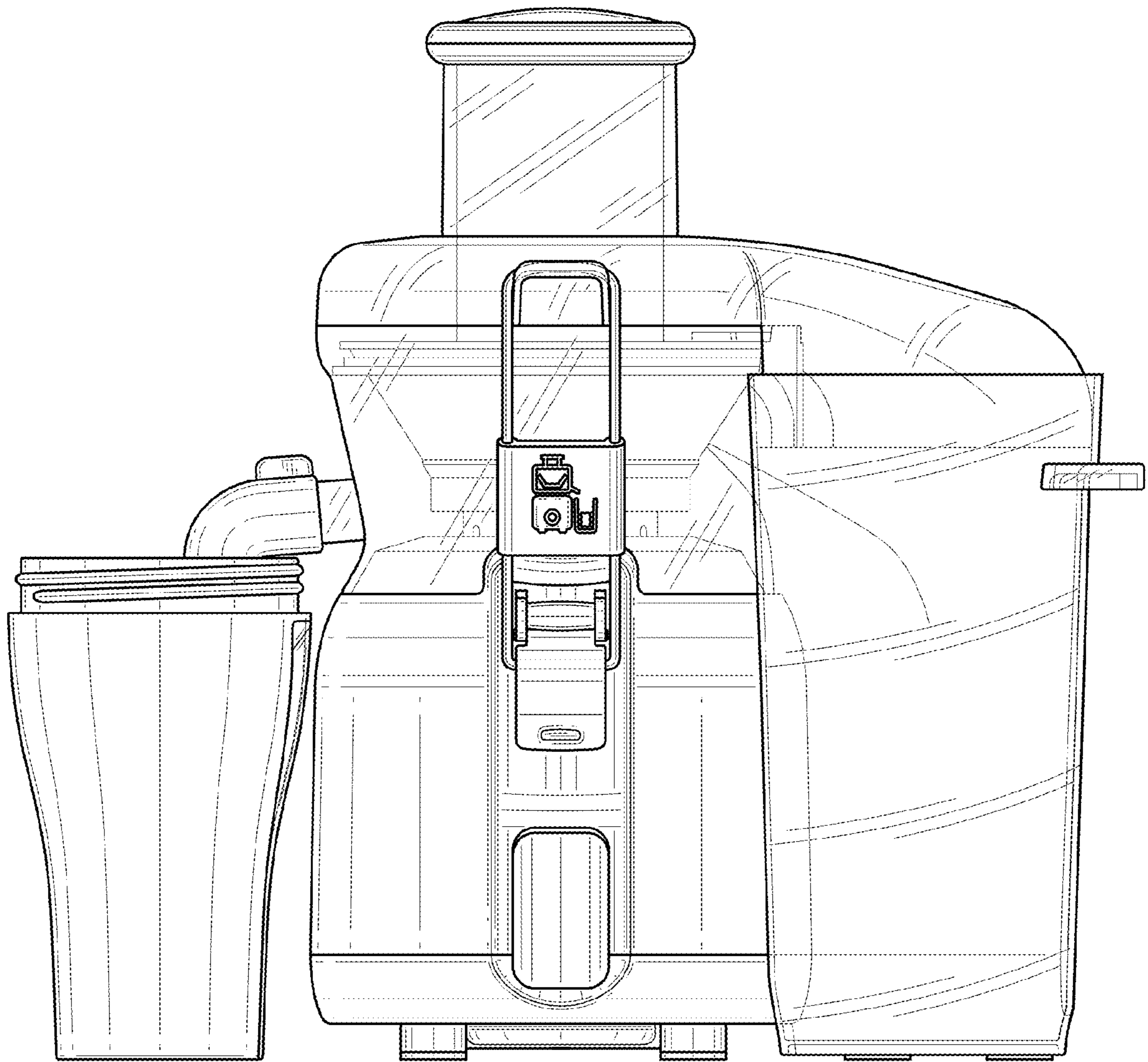


**FIG. 1**

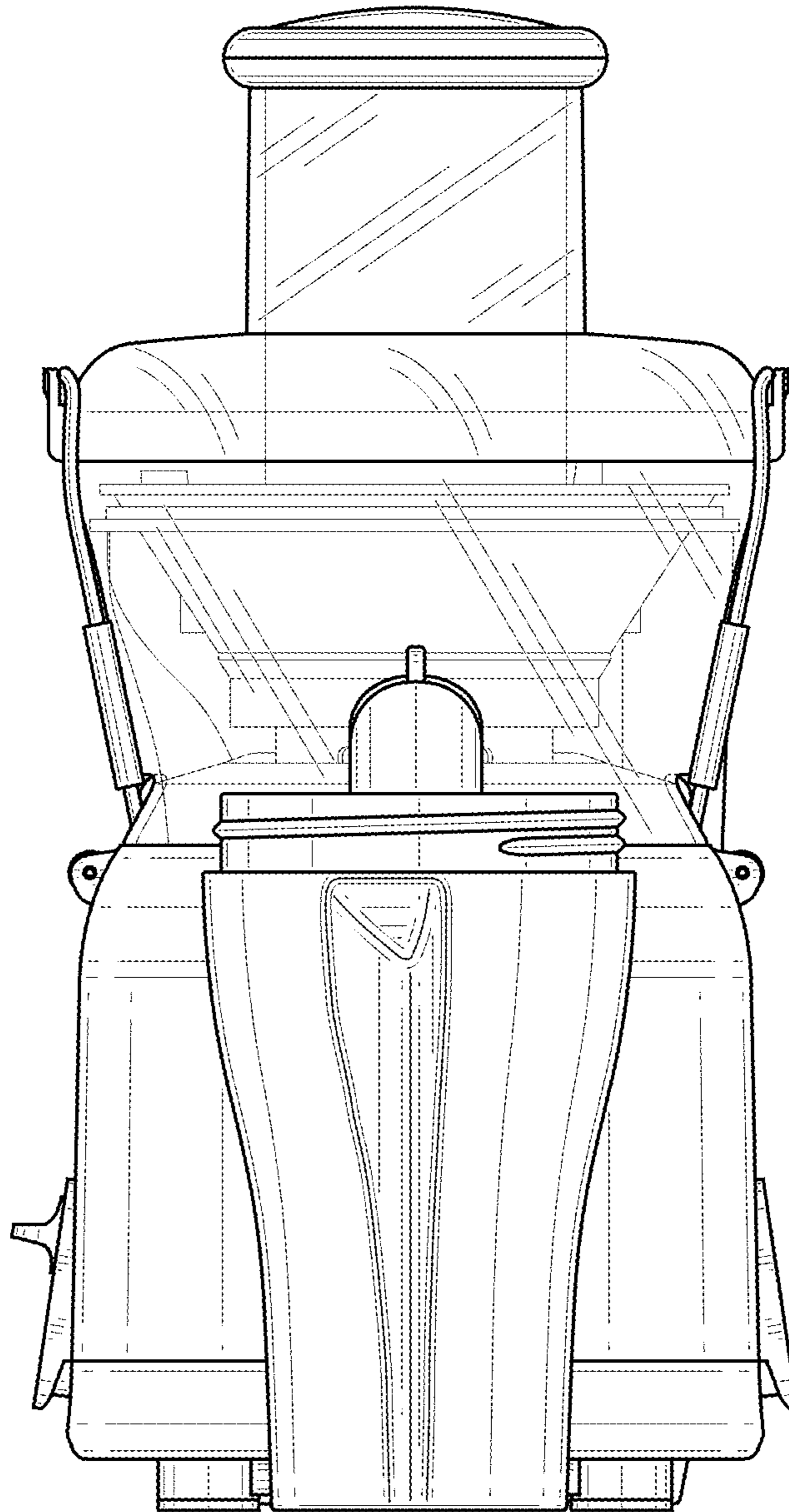




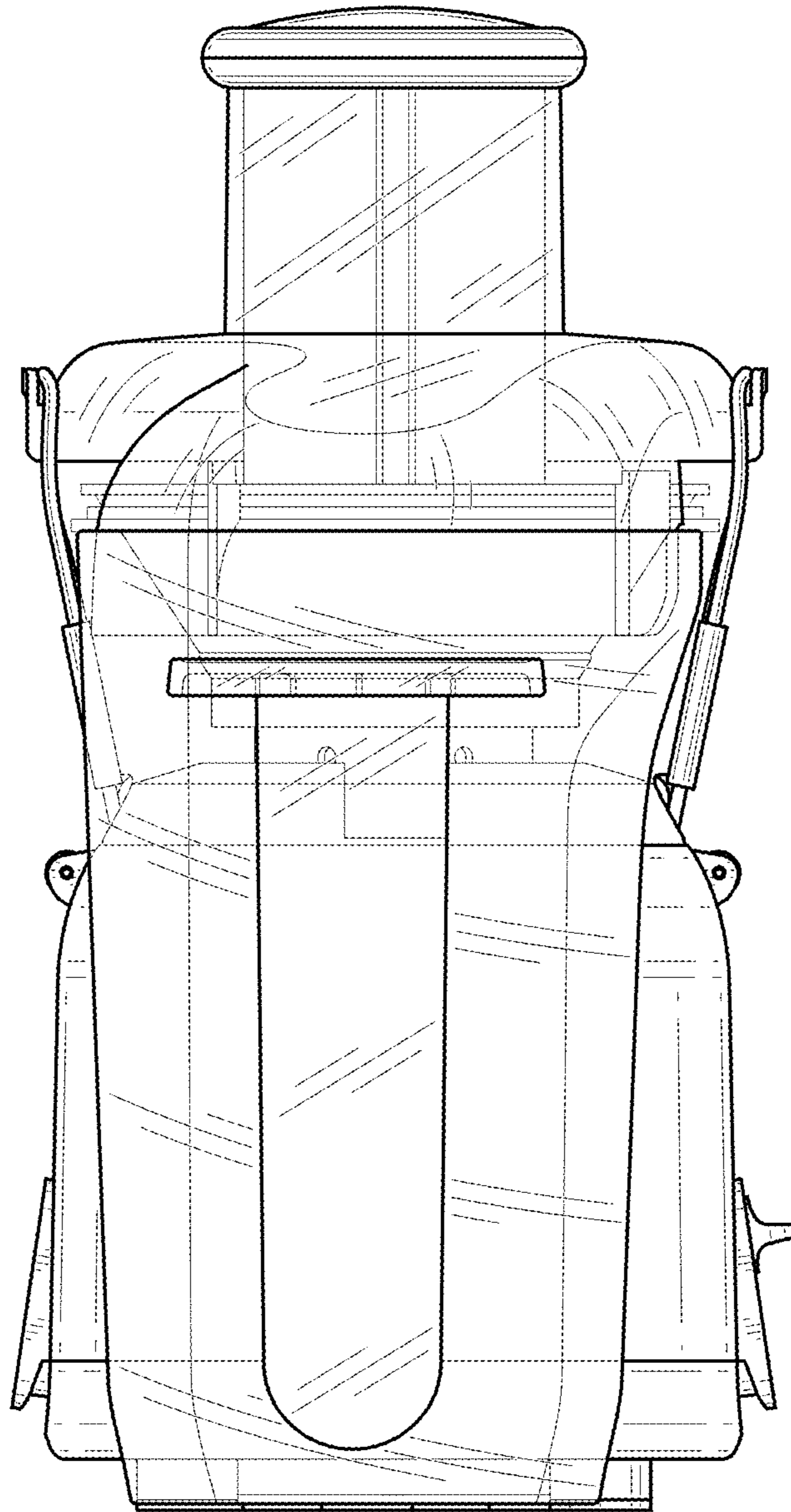
**FIG. 2**



**FIG. 3**

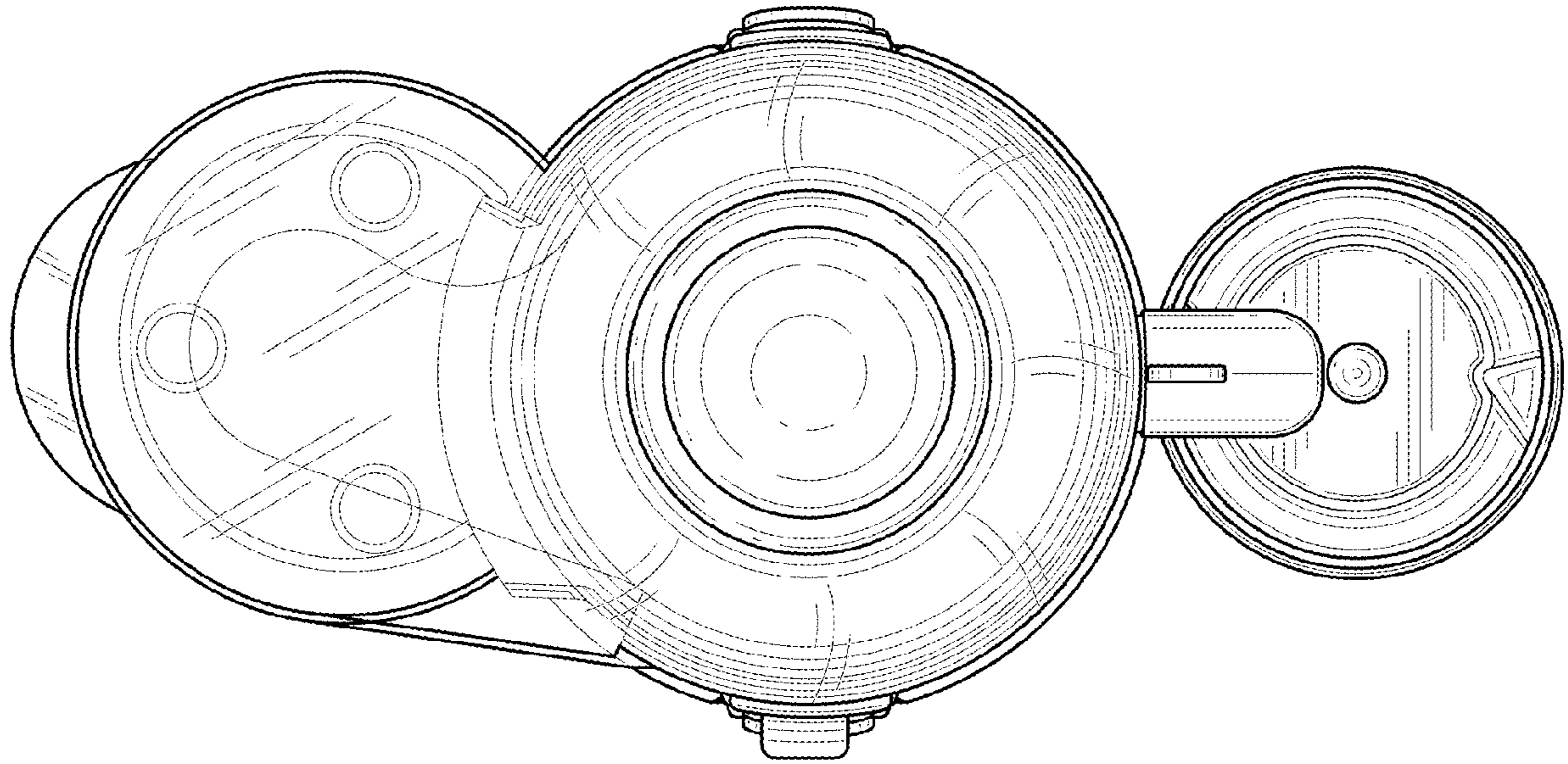


**FIG. 4**

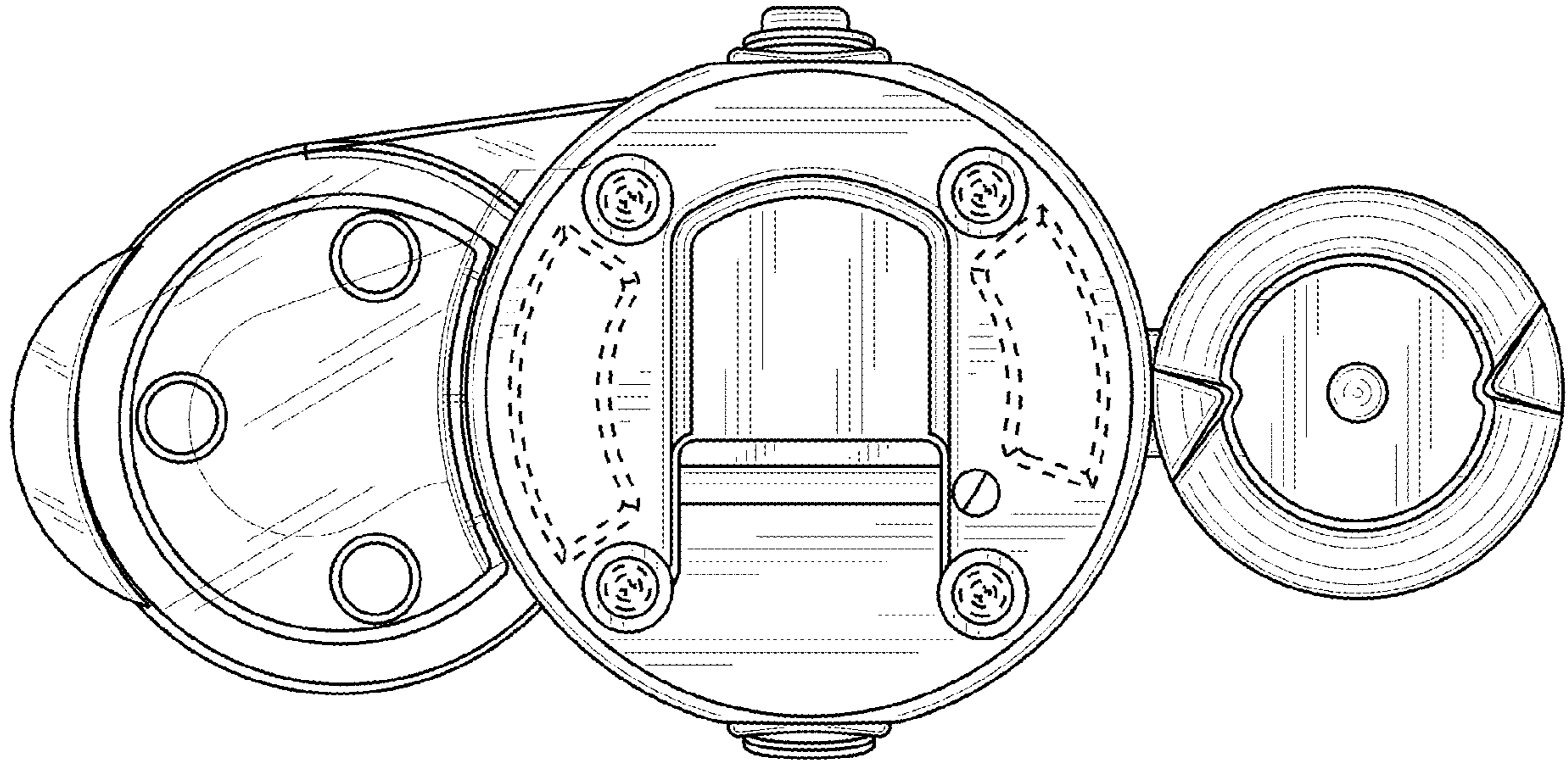


**FIG. 5**





**FIG. 6**



**FIG. 7**