



US00D987383S

(12) **United States Design Patent** (10) **Patent No.:** **US D987,383 S**
Tsai et al. (45) **Date of Patent:** **** May 30, 2023**

(54) **CANNISTER**
(71) Applicant: **MOSA SOLUTIONS, INC.**, Torrance, CA (US)

D682,102 S * 5/2013 Davis D9/449
D695,138 S * 12/2013 Ball D9/772
D709,335 S * 7/2014 Stamatopoulos D7/605
(Continued)

(72) Inventors: **Danny Tsai**, Torrance, CA (US);
Jeffrey Tsai, Torrance, CA (US);
Michael Tsai, Brooklyn, NY (US)

FOREIGN PATENT DOCUMENTS

CN 306254379 * 12/2020

(73) Assignee: **Mosa Solutions, Inc.**, Torrance, CA (US)

OTHER PUBLICATIONS

Clear 35mm Film Canister with Cap, brand unlisted, ultrafineonline.com, author unlisted, published Sep. 10, 2015 per wayback machine © 2010-2021 UltrafineOnline.com, online, site visited Dec. 9, 2021. Available from Internet, URL: <https://www.ultrafineonline.com/50cl35cawica.html> (Year: 2015).*

(**) Term: **15 Years**

(21) Appl. No.: **29/751,099**

(22) Filed: **Sep. 18, 2020**

(51) **LOC (14) Cl.** **09-02**

(52) **U.S. Cl.**
USPC **D7/615**; D7/608; D9/454

(58) **Field of Classification Search**
USPC D7/213, 601-602, 605, 607-608, 619.1, D7/622, 624.1-624.2, 505, 507, 510, 529, D7/615, 629-630, 709, 302, 515, 612; D9/688, 692, 738, 424, 635, 743, 756, D9/445, 686, 690, 767, 772; D3/201-202, 304, 315-316

CPC A47G 23/02; A47G 2023/0291; A47G 23/0216; B65D 81/38; B65D 2313/04; B65D 25/101; B65D 25/20; B65D 2255/20; B65D 21/0222; B65D 2525/284; B65D 2543/00092; B65D 67/02; B65D 43/0202; B65D 2543/00564; A47J 47/14

See application file for complete search history.

Primary Examiner — Holly E Thurman
Assistant Examiner — Altaira J Swangin
(74) *Attorney, Agent, or Firm* — Rosenthal IP Law; Larry Rosenthal

(57) **CLAIM**

The ornamental design for a cannister, as shown and described.

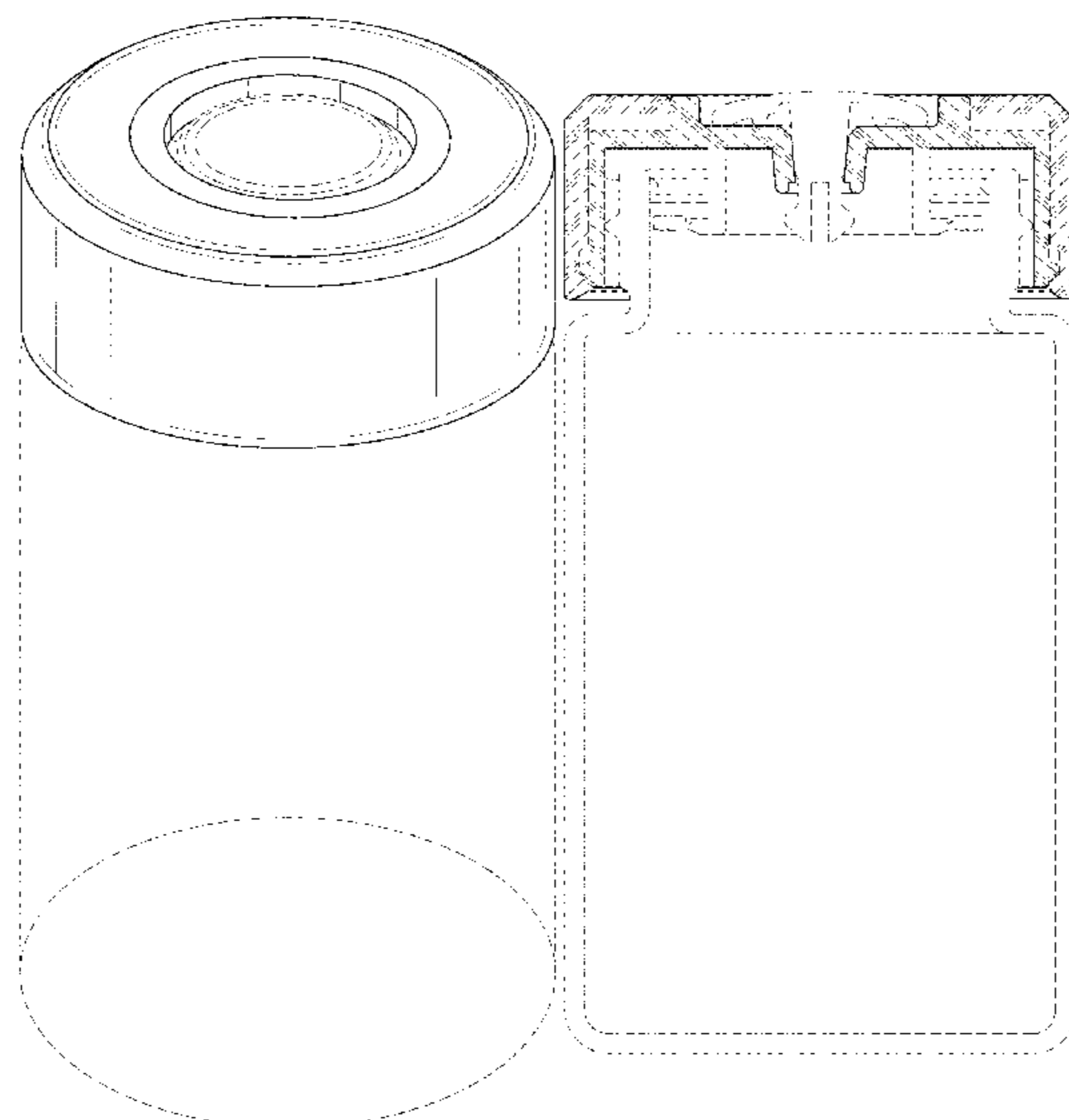
DESCRIPTION

FIG. 1 is an upper front perspective view of my new design; FIG. 2 is a sectional view taken through line 2-2 of FIG. 3 thereof; FIG. 3 is a front elevational view thereof; FIG. 4 is a lower front perspective view thereof; FIG. 5 is a top plan view thereof; and, FIG. 6 is a bottom plan view thereof. The even-dash broken lines are for the purpose of illustrating portions of the cannister and form no part of the claimed design. The long-dash short-dash lines show the section cut and form no part of the claimed design. Any broken lines showing the interior portions of the cannister in FIG. 2 depict unclaimed structure and form no part of the claim.

1 Claim, 5 Drawing Sheets

(56) **References Cited**
U.S. PATENT DOCUMENTS

D499,552 S * 12/2004 Nissanoff D3/273
D604,642 S * 11/2009 Di Robilant D9/780
D651,050 S * 12/2011 Goshi D7/608
D655,134 S * 3/2012 Gilbert D7/510



(56)

References Cited

U.S. PATENT DOCUMENTS

8,925,756 B2 *	1/2015	Tarapata	F16J 13/12 220/582
D759,485 S *	6/2016	Boroski	D9/449
D799,963 S *	10/2017	Akiyama	D9/454
D829,058 S *	9/2018	Seiders	D7/624.2
D847,574 S *	5/2019	Boroski	D7/510
D878,156 S *	3/2020	Rittri	D7/511
D879,564 S *	3/2020	Adams, Jr.	D7/612
D902,665 S *	11/2020	Jacobsen	D7/608
D906,762 S *	1/2021	Neale	D7/515
D917,292 S *	4/2021	Blomberg	D9/504
D929,863 S *	9/2021	Demers	D9/504
D935,282 S *	11/2021	Jackson	A47J 41/005 D7/608
D948,959 S *	4/2022	Tsai	D7/397
D948,960 S *	4/2022	Tsai	D7/397

* cited by examiner

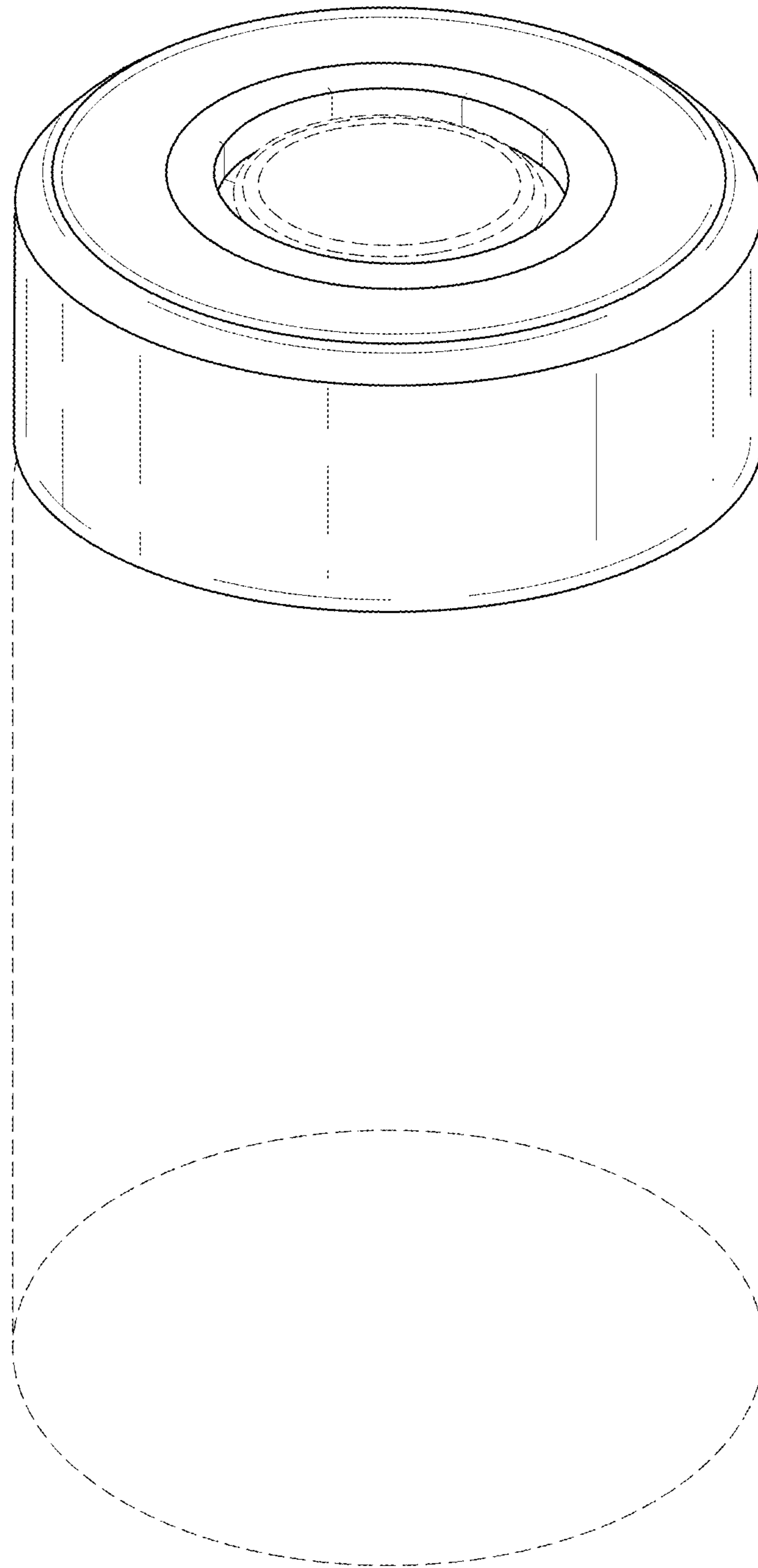


FIG. 1

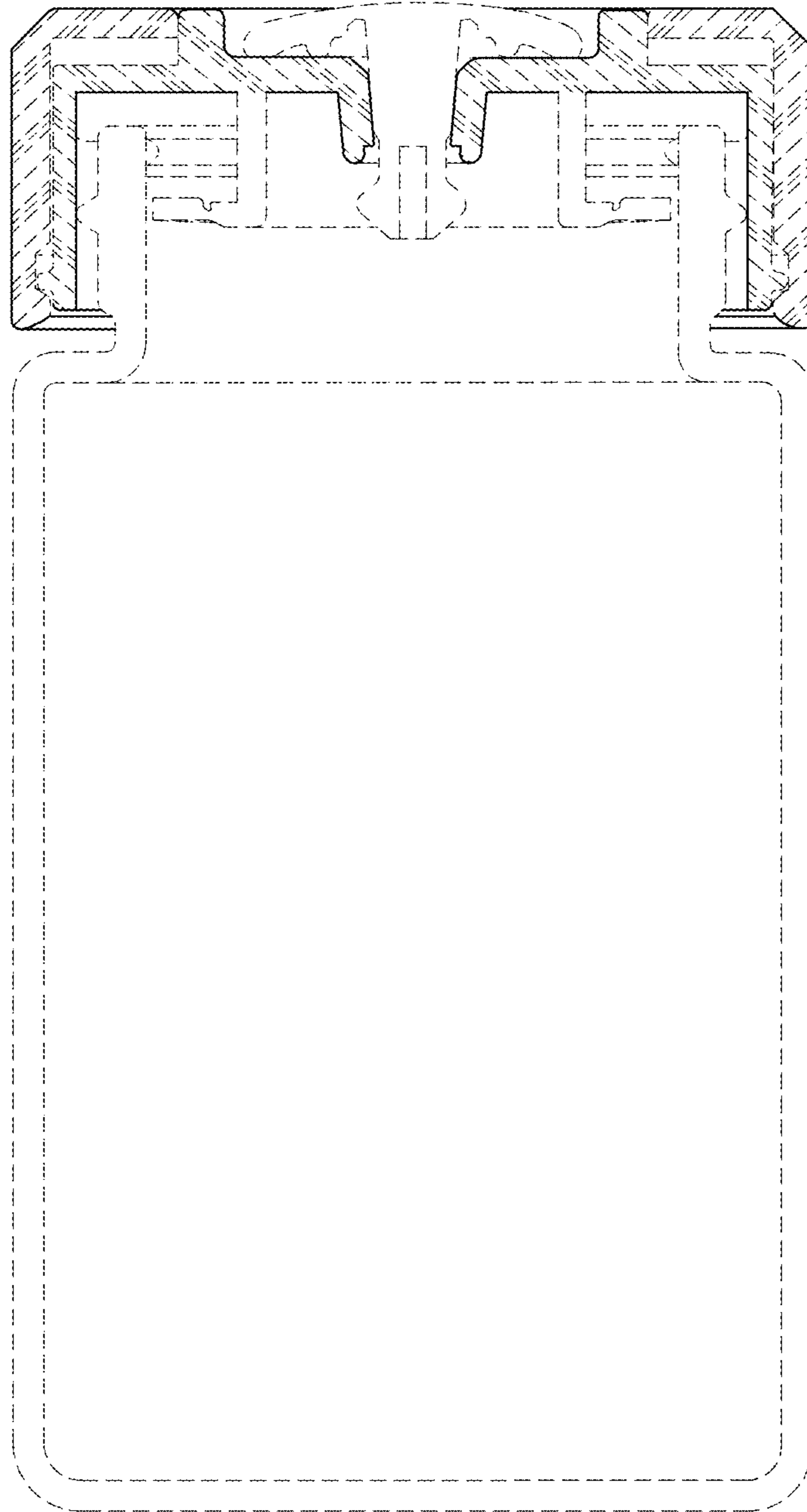


FIG. 2

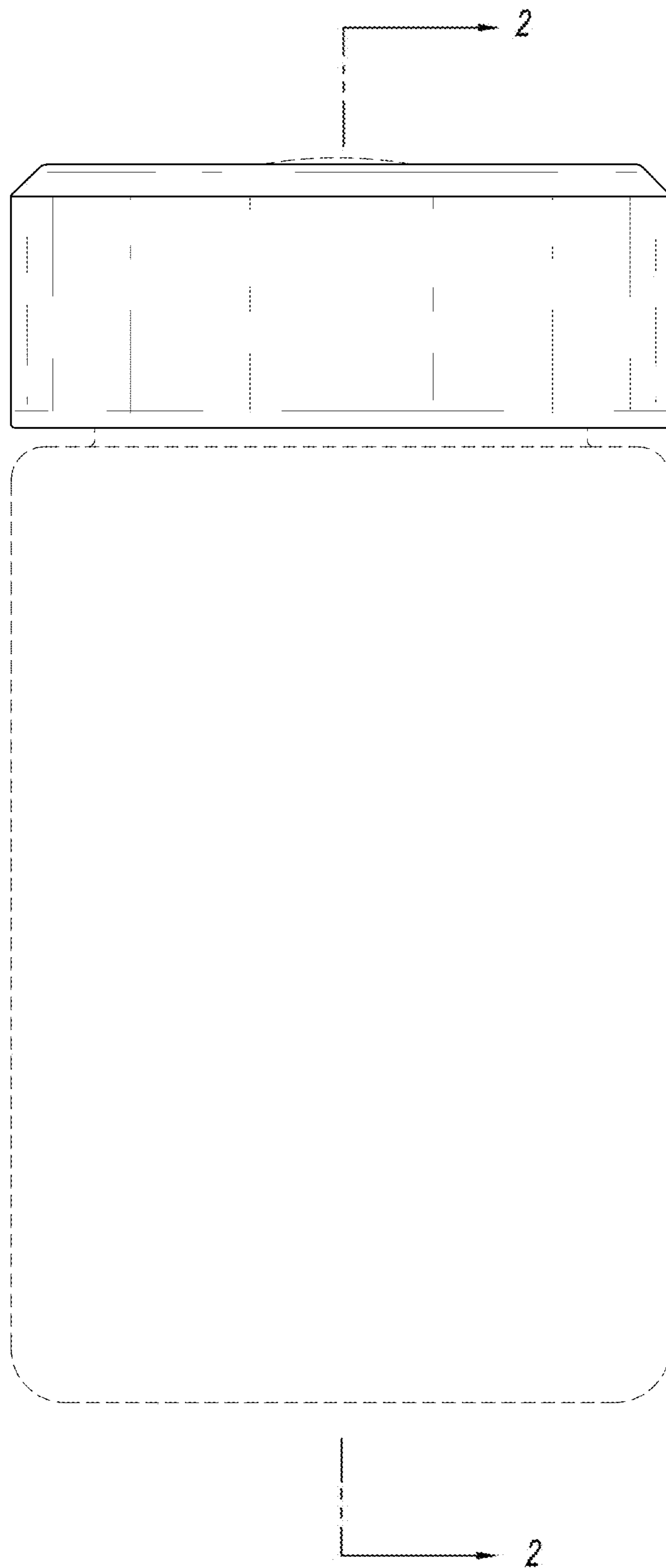


FIG. 3

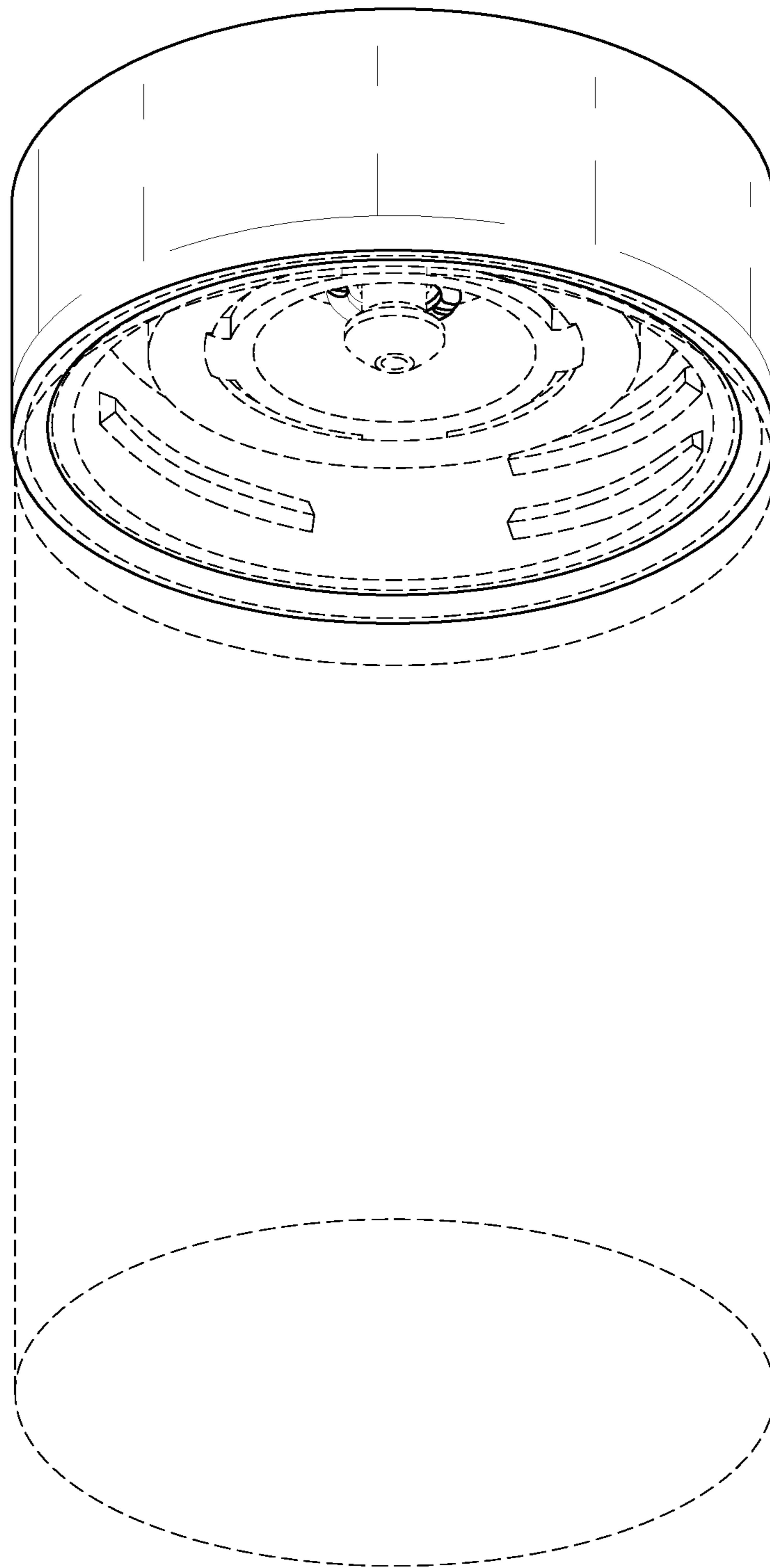


FIG. 4

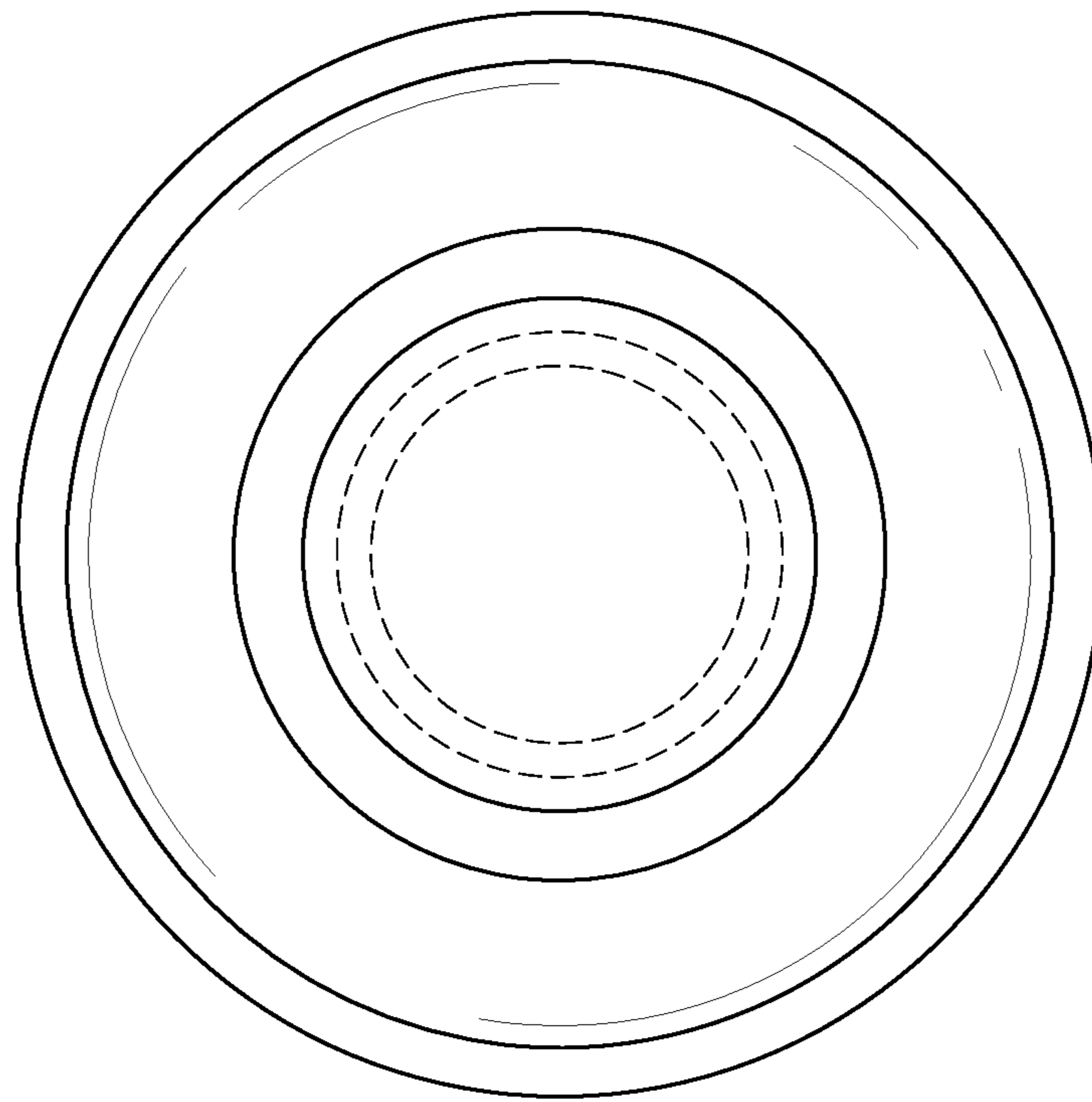


FIG. 5

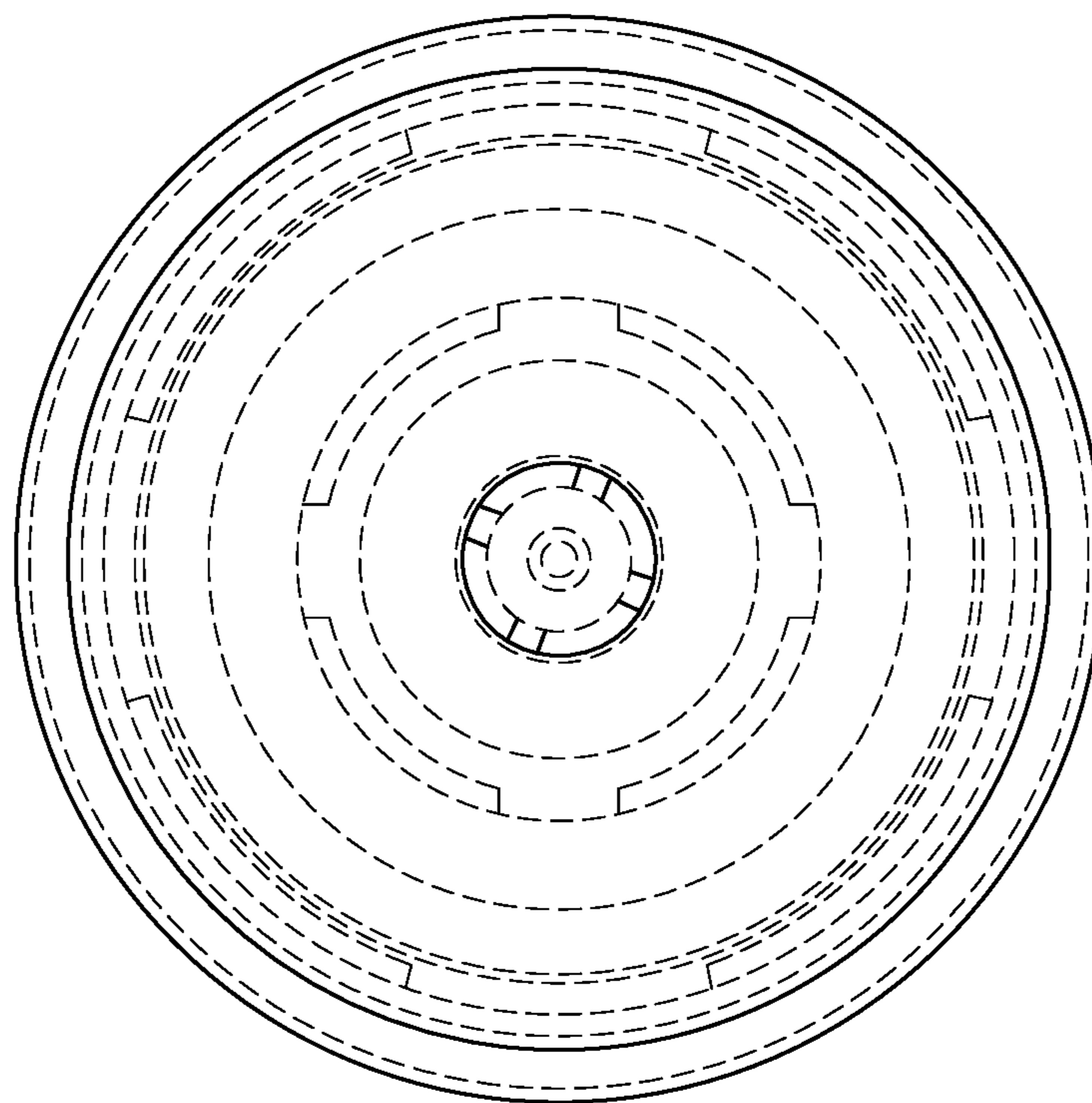


FIG. 6