



US00D987378S

(12) **United States Design Patent** (10) **Patent No.:** **US D987,378 S**
Khan (45) **Date of Patent:** **** May 30, 2023**

(54) **CUP**

FOREIGN PATENT DOCUMENTS

(71) Applicant: **Faisal Khan**, Frisco, TX (US)

CN 307123419 * 2/2022
CN 307132903 * 3/2022

(72) Inventor: **Faisal Khan**, Frisco, TX (US)

(Continued)

(73) Assignee: **Avanchy, LLC**, Frisco, TX (US)

OTHER PUBLICATIONS

(**) Term: **15 Years**

YesterdayonTuesday [online] URL: <https://yesterdayontuesday.com/2016/07/fun-mason-jar-lifestyle-giveaway/> (site visited: Feb. 10, 2022) (Year: 2016).*

(21) Appl. No.: **29/746,044**

(Continued)

(22) Filed: **Aug. 11, 2020**

(51) **LOC (14) Cl.** **07-01**

Primary Examiner — Michael C Stout

(52) **U.S. Cl.**

Assistant Examiner — Tia Ruth-Renee Polidori

USPC **D7/509**; D7/510

(74) *Attorney, Agent, or Firm* — Avek IP

(58) **Field of Classification Search**

USPC D7/507, 509, 510, 511, 523, 533, 536,
D7/392.1, 396.1, 396.2, 608, 300.1, 598,
D7/600, 532, 900; D9/443, 446, 449;
D3/202; D29/125, 126; 220/713, 715
CPC A47G 19/2205; A47G 23/16; A47G
19/2272; A47J 41/00; A47J 41/02; A47J
41/0088; A47J 41/0077; Y10S 220/903;
B65D 21/02; B65D 43/00; B65D 41/00
See application file for complete search history.

(57) **CLAIM**

The ornamental design for a cup, as shown and described.

DESCRIPTION

(56) **References Cited**

U.S. PATENT DOCUMENTS

2,707,588 A * 5/1955 Amberg B65D 43/0218
229/125.17
D265,176 S * 6/1982 Bock D9/503
D290,811 S * 7/1987 Cleveland, Jr. D9/779
D389,058 S * 1/1998 Landis D9/438
5,816,394 A * 10/1998 O'Brien B65D 5/5088
6,029,651 A * 2/2000 Dorney A47J 36/30
126/263.01
D433,168 S * 10/2000 Cousins D26/9
6,364,102 B1 * 4/2002 Gordon B65D 77/24
206/217

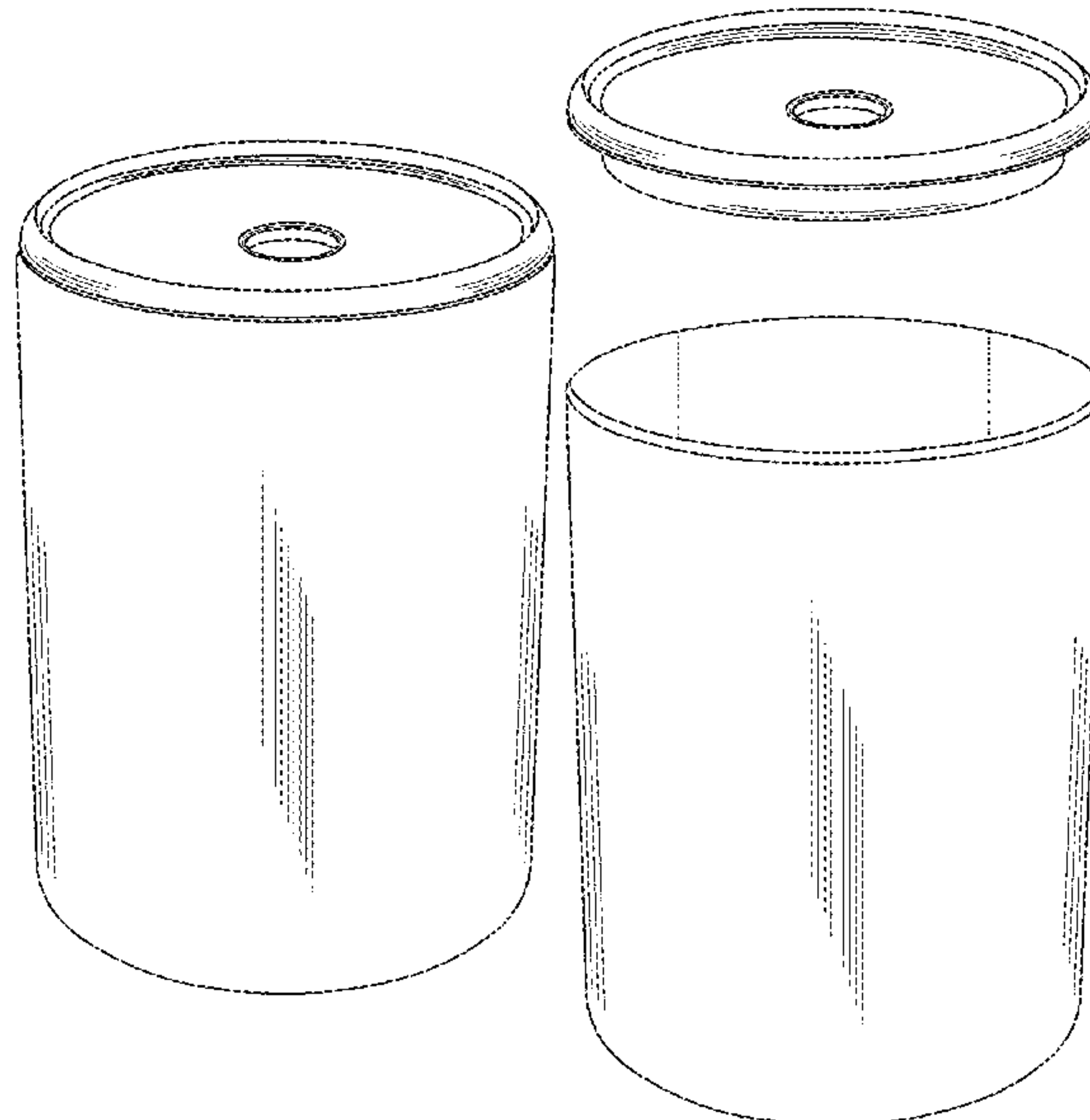
FIG. 1 is a top perspective view of a cup showing my new design;
FIG. 2 is a left side elevation view thereof;
FIG. 3 is a right-side elevation view thereof;
FIG. 4 is a top plan view thereof;
FIG. 5 is a bottom plan view thereof;
FIG. 6 is an exploded top perspective view thereof, shown in a disassembled configuration for clarity of the disclosure; and,
FIG. 7 is a cross sectional view thereof, taken along line 7-7 of FIG. 4.

The portions of the cup shown in broken line in FIG. 6 form no part of the claimed design. The broken line arrows in FIG. 4 depict cross-sectional view indicia and form no part of the claimed design.

The foregoing amendments add no new matter to the present application.

(Continued)

1 Claim, 5 Drawing Sheets



(56)

References Cited

U.S. PATENT DOCUMENTS

D465,350 S * 11/2002 Byrne D6/407
 D469,296 S * 1/2003 Byrne D6/407
 7,328,791 B1 * 2/2008 Bosworth G11B 33/0427
 206/217
 7,341,754 B1 * 3/2008 Loh G11B 33/0405
 206/217
 D572,084 S * 7/2008 Blake D7/509
 7,506,756 B2 * 3/2009 Bosworth, Sr. G11B 33/0427
 206/217
 D640,094 S * 6/2011 Carlson D7/532
 D642,864 S * 8/2011 Tobias D7/510
 D649,880 S * 12/2011 Smith, III D9/520
 D654,366 S * 2/2012 Presche D9/504
 D674,241 S * 1/2013 Bickert D7/525
 D697,366 S * 1/2014 Kristinik D9/453
 D710,155 S * 8/2014 Tatsukawa D7/608
 D720,962 S * 1/2015 Coon D7/510
 D721,920 S * 2/2015 Coon D7/510
 D722,826 S * 2/2015 Coon D7/511
 D753,950 S * 4/2016 Feeley D7/392.1
 D767,329 S * 9/2016 Mock D7/392.1
 D778,676 S * 2/2017 Maple D7/510
 D821,669 S * 6/2018 Arciniegas D9/532
 D879,564 S * 3/2020 Adams, Jr. D7/612
 D891,866 S * 8/2020 Ames D7/510
 D897,849 S * 10/2020 Hawry D9/503
 D904,827 S * 12/2020 Stanton D7/532
 D933,423 S * 10/2021 Ames D7/510
 D947,614 S * 4/2022 Wahl D7/511
 11,304,550 B1 * 4/2022 Cosgarea A47J 41/028
 D951,024 S * 5/2022 Hsiu-Mei D7/510
 D955,217 S * 6/2022 Choi D7/392.1
 D959,896 S * 8/2022 Sun D7/391
 2002/0139694 A1 * 10/2002 Gordon G11B 33/045

2005/0230403 A1 * 10/2005 Dark A47G 19/2272
 220/711
 2012/0037651 A1 * 2/2012 Steuer B65D 47/249
 220/714
 2016/0073817 A1 * 3/2016 Tseng B65D 51/24
 99/287
 2017/0253363 A1 * 9/2017 Feeley A45F 3/20
 2018/0020854 A1 * 1/2018 Kim A47G 19/2288
 62/457.9
 2019/0375559 A1 * 12/2019 Spivey B65D 43/0229
 2021/0361098 A1 * 11/2021 Zhou A47G 19/2272
 2022/0002039 A1 * 1/2022 Chou B65D 43/0222

FOREIGN PATENT DOCUMENTS

CN 307306629 * 5/2022
 CN 307415218 * 6/2022
 CN 307578375 * 10/2022
 CN 307590720 * 10/2022
 CN 307649757 * 11/2022
 EM 006624193-0001 * 7/2019
 JP D1454597 * 11/2012
 JP D1708029 * 2/2022
 WO WOD100941-006 * 5/2018

OTHER PUBLICATIONS

Silwy [online] URL: <https://international.silwy.de/accessories/46/lid-with-straw-hole-for-magnetic-drinking-cup> (site visited: Feb. 10, 2022) (Year: 2019).*

Anne Black [online] URL: <https://www.anneblack.com/kitchen-bread-box-7931.html> (site visited: Feb. 10, 2022) (Year: 2020).*

Airscape [online] URL: <https://www.lizzysfreshcoffee.com/airscape-ceramic-coffee-canister.html> (site visited: Feb. 10, 2022) (Year: 2021).*

* cited by examiner

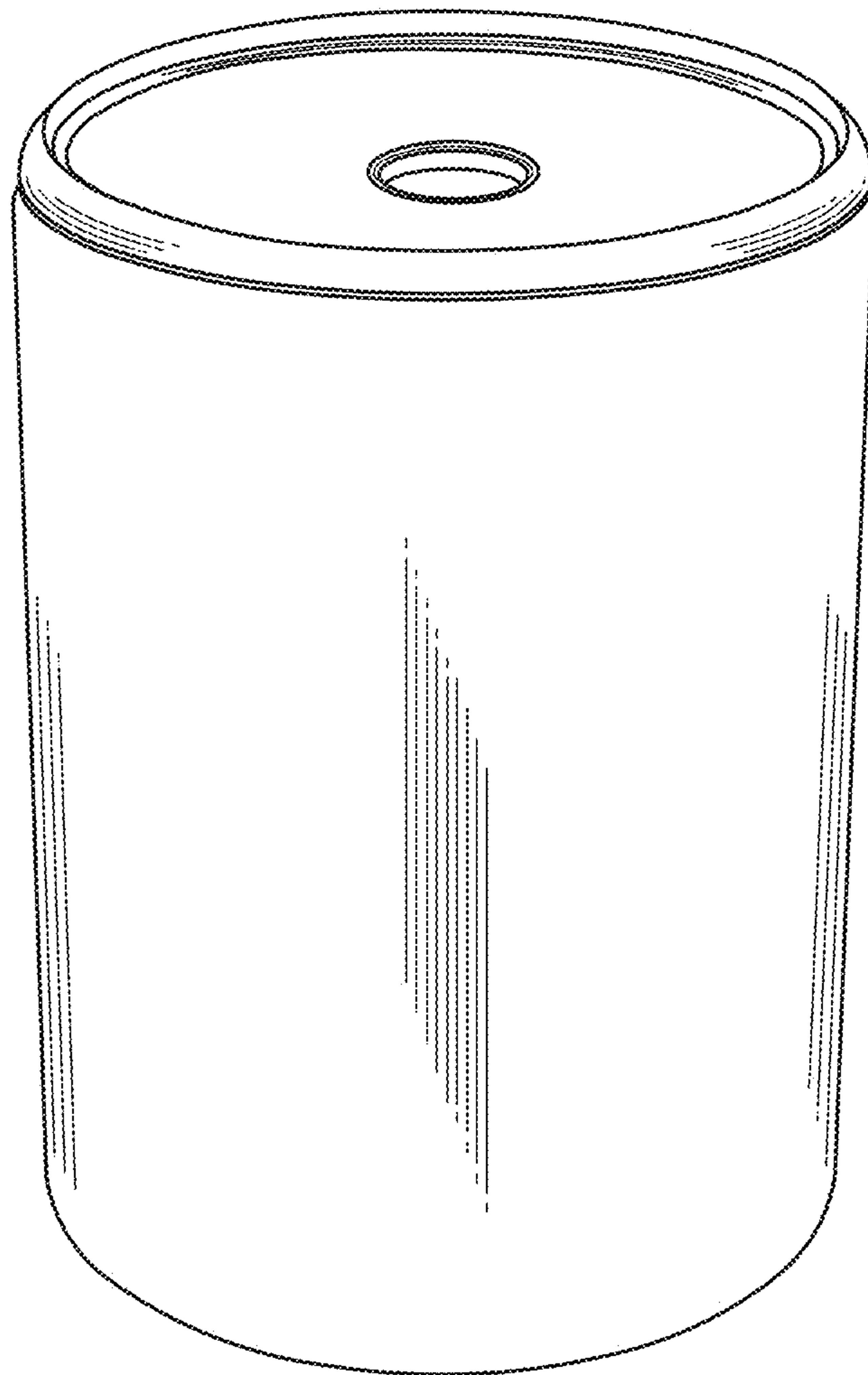


FIG. 1

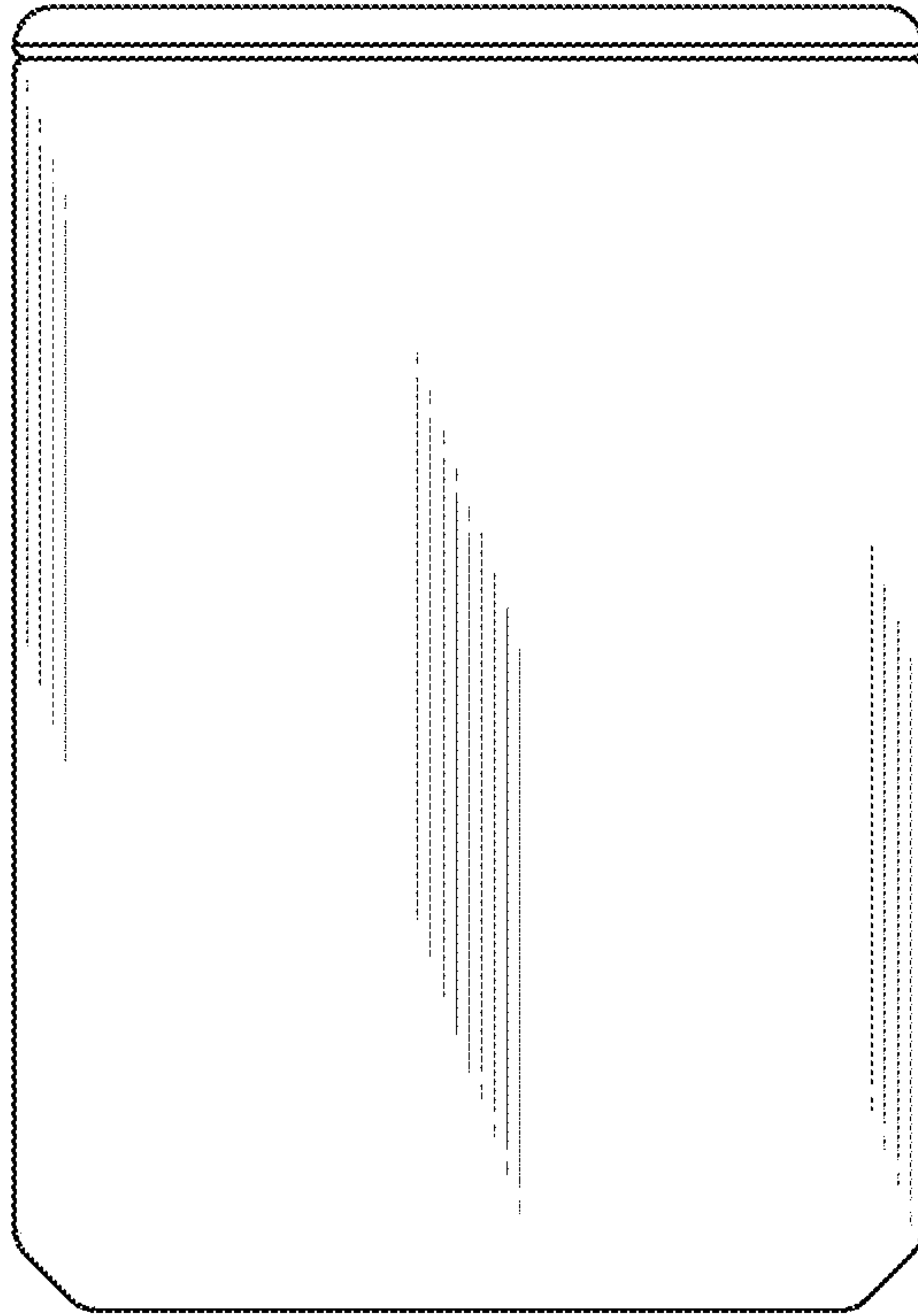


FIG. 2

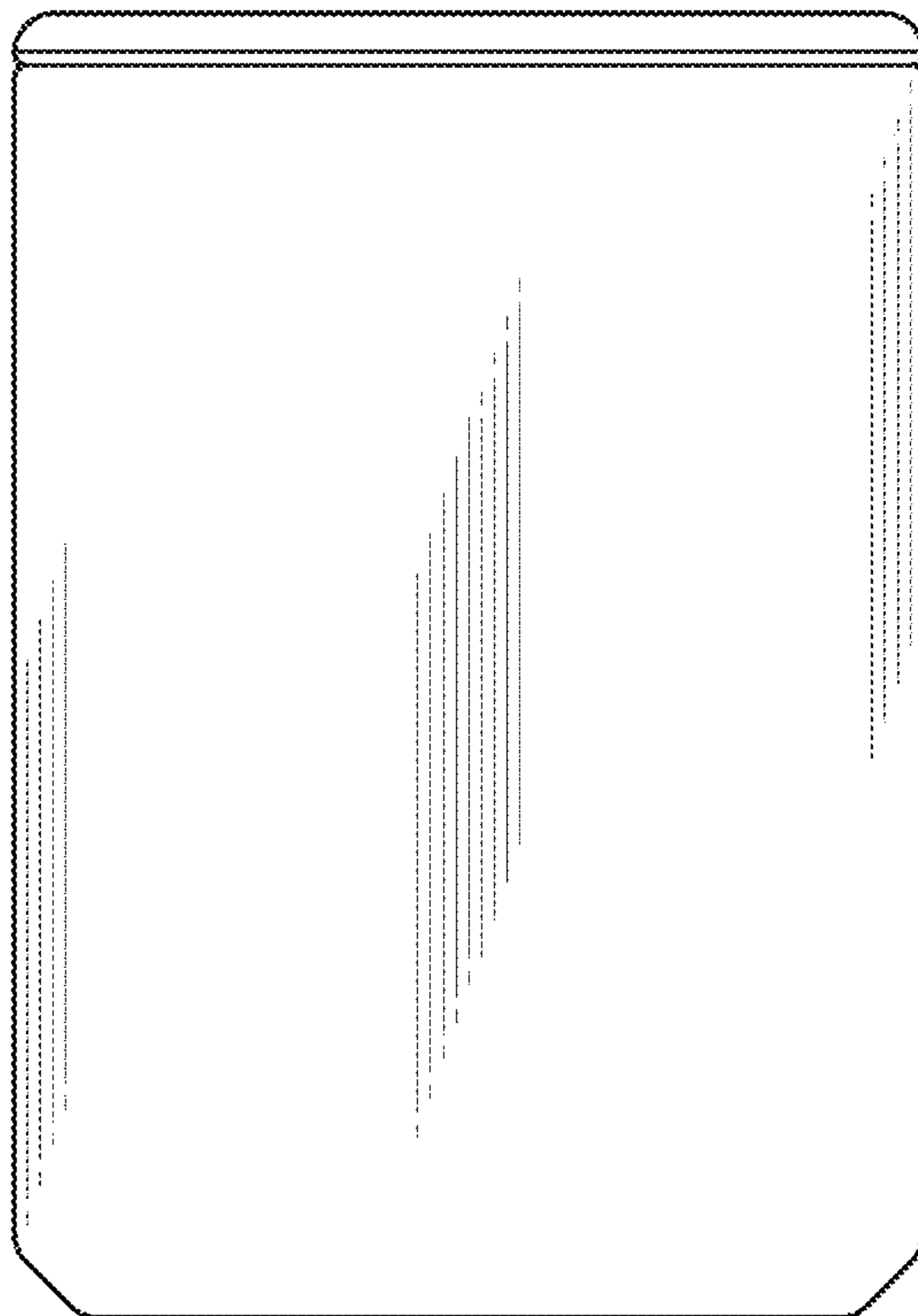


FIG. 3

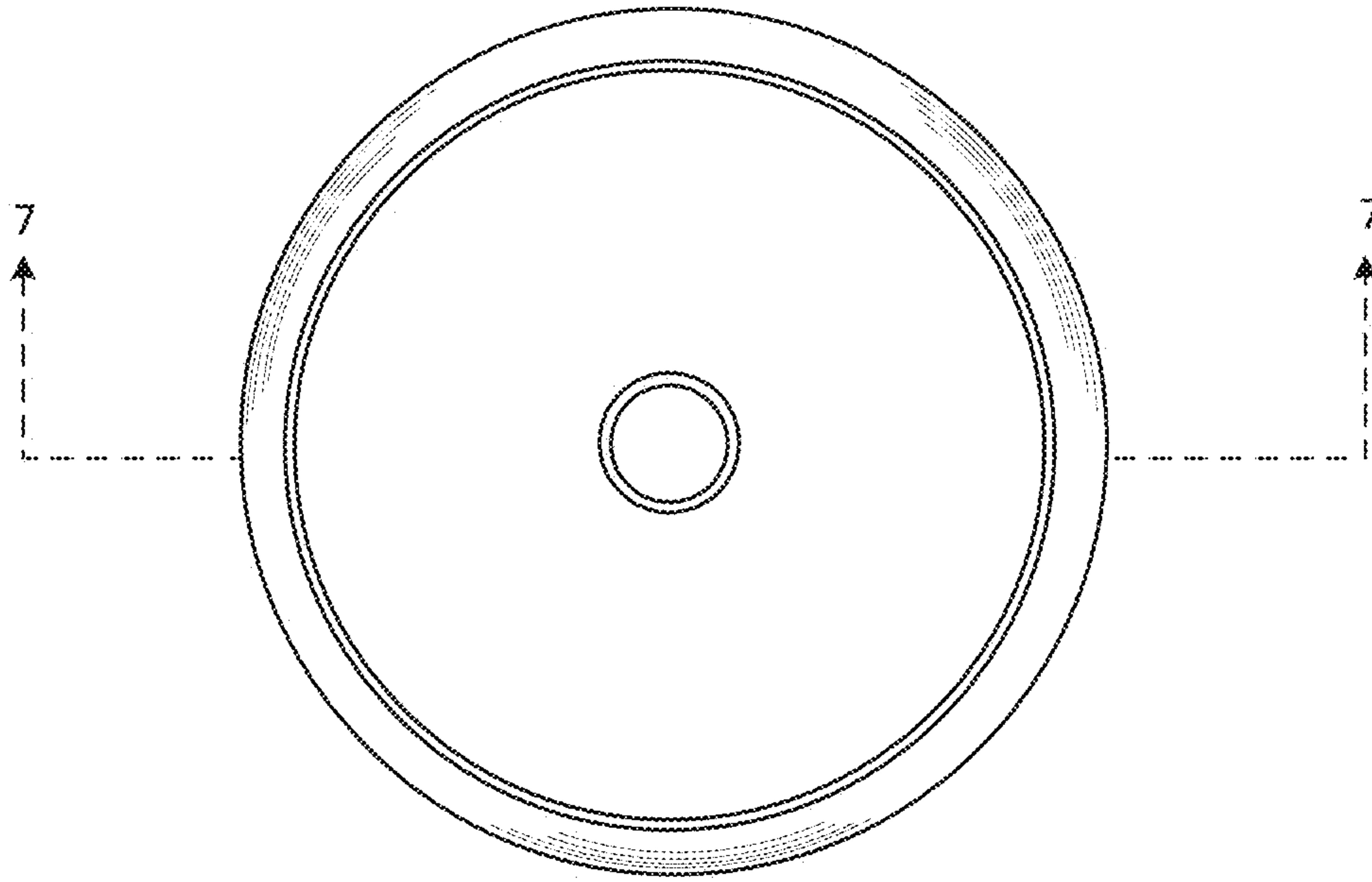


FIG. 4

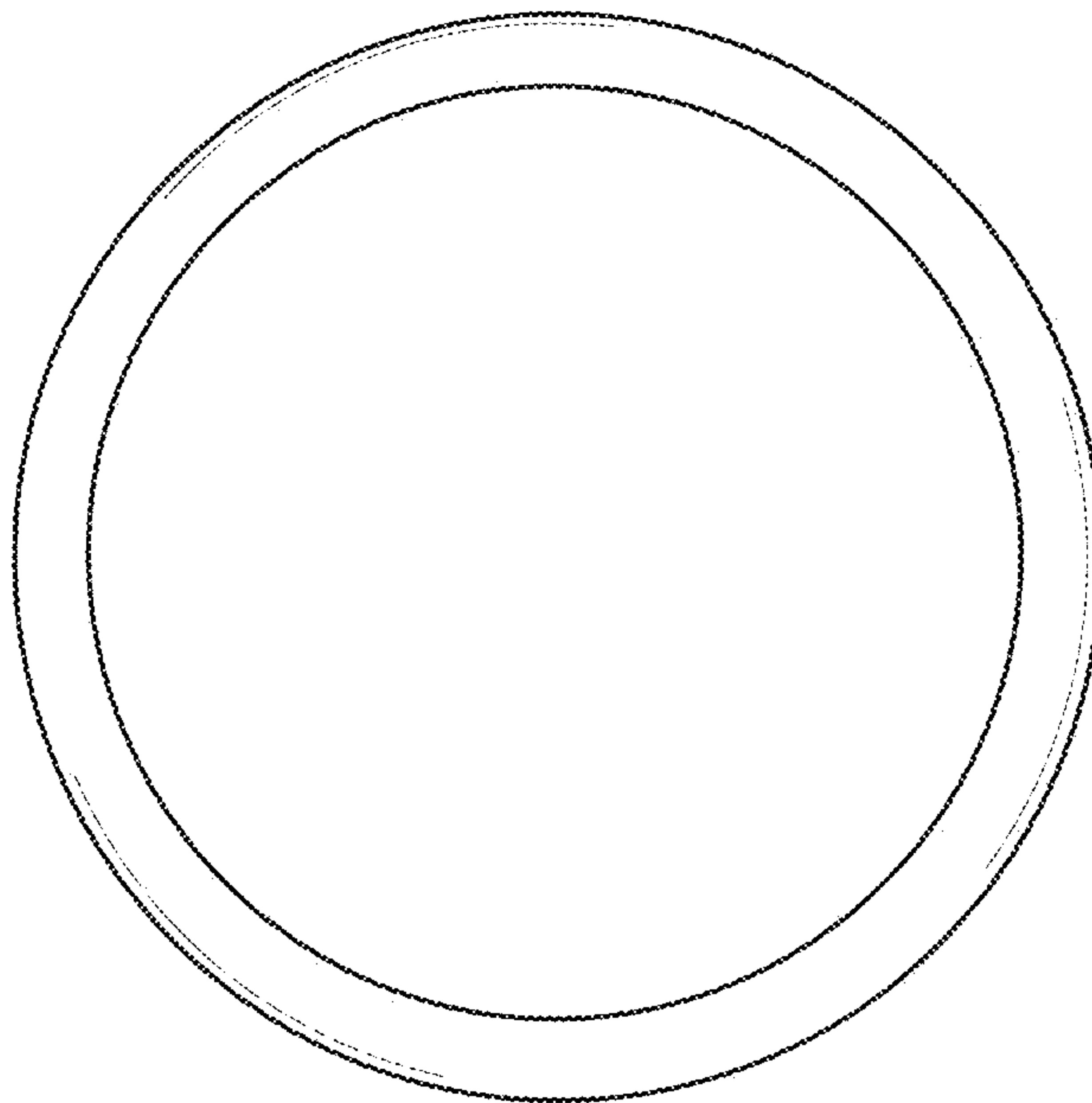


FIG. 5

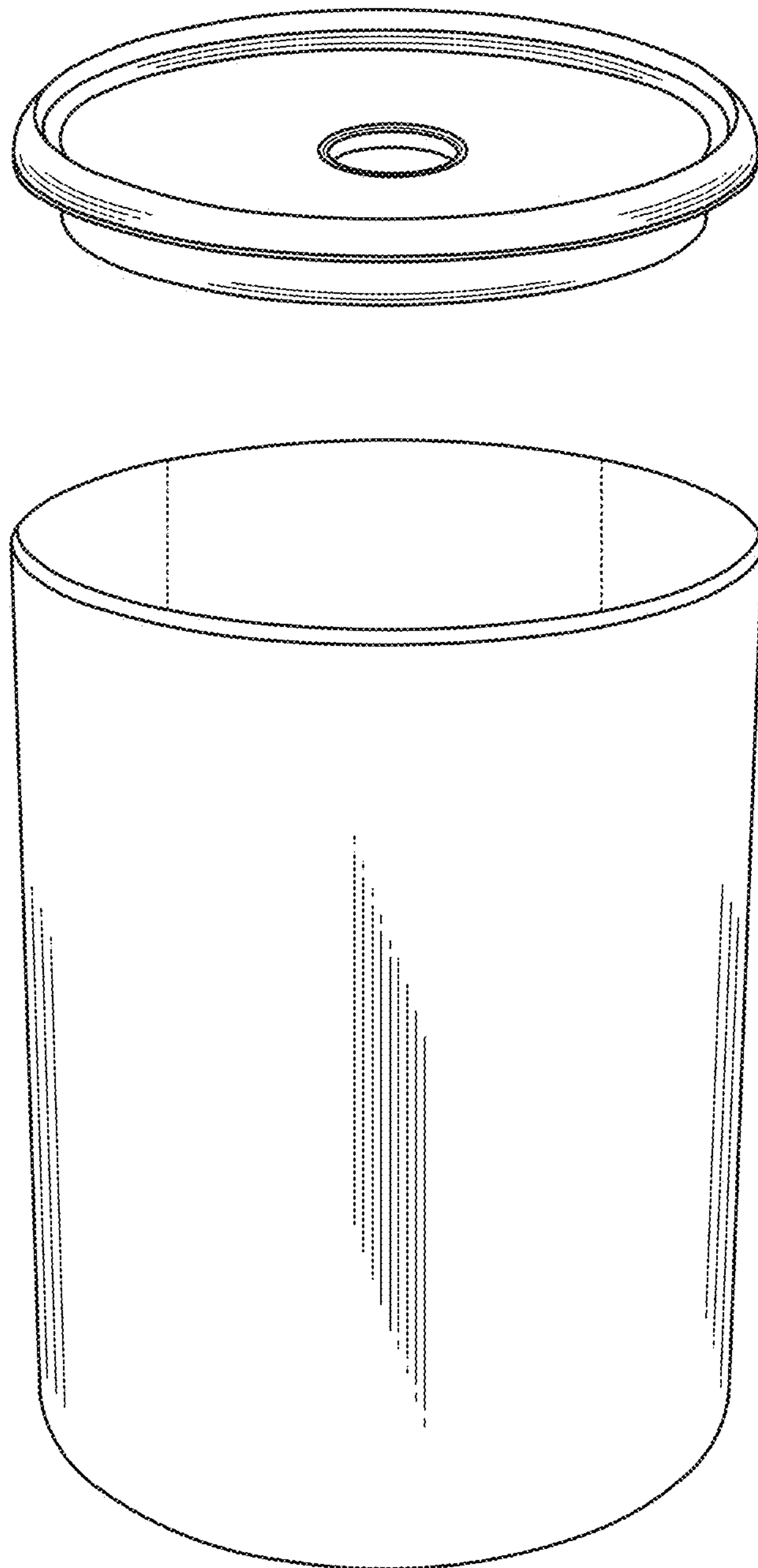


FIG. 6

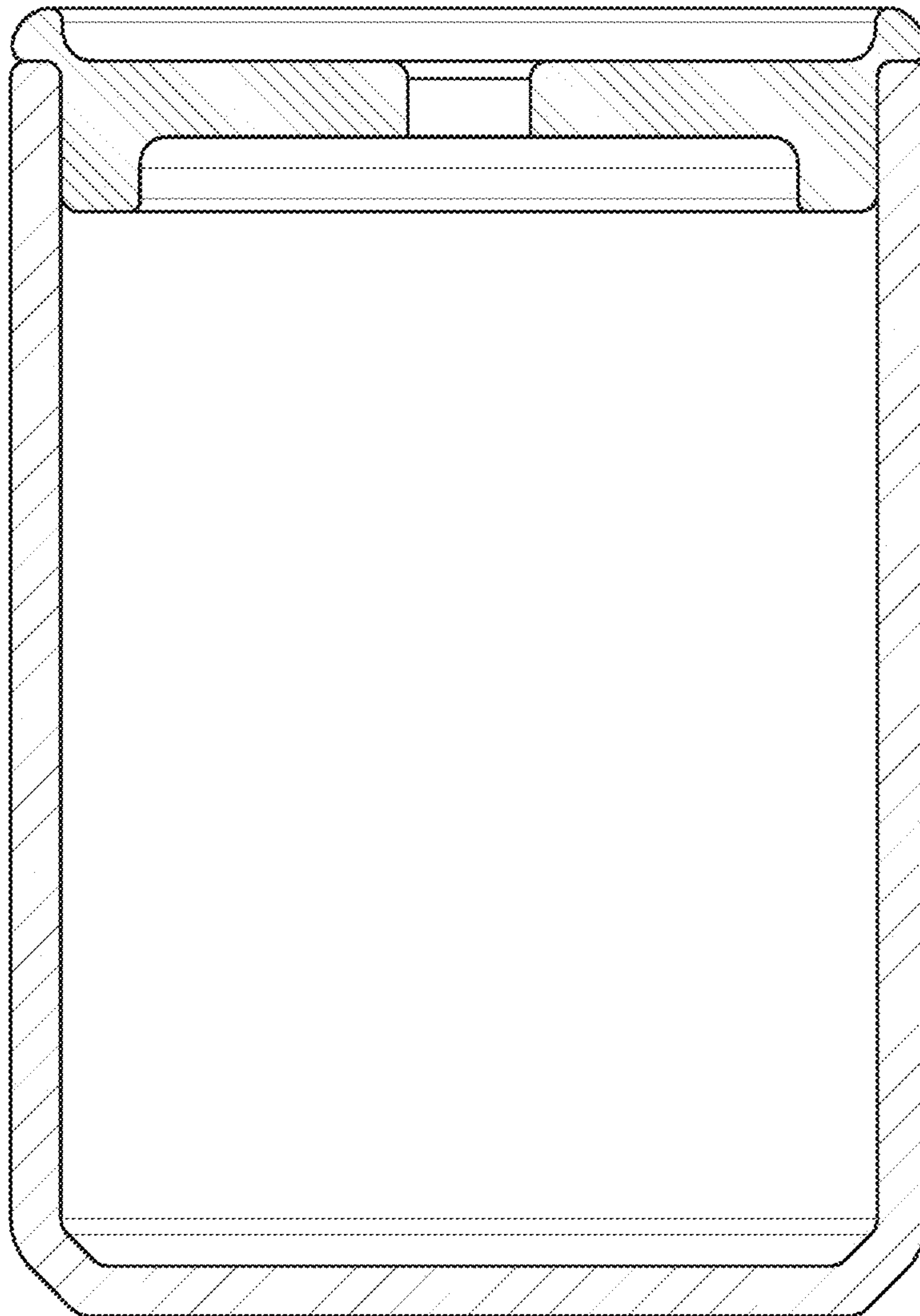


FIG. 7