



US00D987377S

(12) **United States Design Patent**
Padilla, Sr.

(10) **Patent No.:** **US D987,377 S**

(45) **Date of Patent:** **** *May 30, 2023**

(54) **CUP AND BOWL SET**

(71) Applicant: **Darren Padilla, Sr.**, Durham, NC (US)

(72) Inventor: **Darren Padilla, Sr.**, Durham, NC (US)

(*) Notice: This patent is subject to a terminal disclaimer.

(**) Term: **15 Years**

(21) Appl. No.: **29/797,087**

(22) Filed: **Jun. 29, 2021**

(51) **LOC (14) Cl.** **07-01**

(52) **U.S. Cl.**
USPC **D7/506**

(58) **Field of Classification Search**
USPC D7/505, 506, 514, 515, 543, 544, 551.1, D7/560, 580, 601, 602, 604, 605, 606, D7/625, 628, 702, 710; D11/157
CPC A47G 19/2283; A47G 19/06; A47G 19/23; A47G 19/2227; A47G 23/0208; A47G 19/02; A47G 19/025; A47G 19/00; A47J 41/0077; A47J 43/0727; B65D 1/36; B65D 3/28; B65D 1/34
See application file for complete search history.

(56) **References Cited**

U.S. PATENT DOCUMENTS

D231,889 S	6/1974	Krieger	
3,894,649 A *	7/1975	Nicholl	A47G 23/06 D7/506
D241,106 S	8/1976	Krieger	
D251,228 S	3/1979	Block	
D288,511 S *	3/1987	Sullivan	D7/506
4,863,033 A *	9/1989	Buj	A47G 19/06 D7/645
D335,400 S *	5/1993	Reich	D21/357
D338,596 S *	8/1993	Cafarella	D7/553.8
5,381,901 A	1/1995	Hundley	

D382,228 S	8/1997	Snook	
5,829,626 A *	11/1998	Brennan	A47G 19/025 220/574
D426,402 S *	6/2000	Rutledge	D6/678.2
D483,227 S *	12/2003	Oas	A47G 19/06 D7/544
D499,936 S *	12/2004	Wiedmeyer	D7/545
D517,374 S	3/2006	Robinson	
D544,762 S *	6/2007	Zimmerman	D7/629
D653,502 S	2/2012	Mitchell	
D678,728 S *	3/2013	Stevens	D7/567
D710,655 S *	8/2014	MacDonald	D7/606
D720,559 S *	1/2015	Pitti	D6/661
D755,573 S *	5/2016	Consolatore	D7/551.1
D761,659 S *	7/2016	Schlief	D9/636
D792,760 S *	7/2017	Foster	D7/602
D793,171 S *	8/2017	Boytor, II	D7/587
D793,814 S *	8/2017	Wrightson	D7/556

(Continued)

FOREIGN PATENT DOCUMENTS

WO WO2008145956 12/2008
Primary Examiner — Joseph Kukella
Assistant Examiner — Darryl J Dardenne

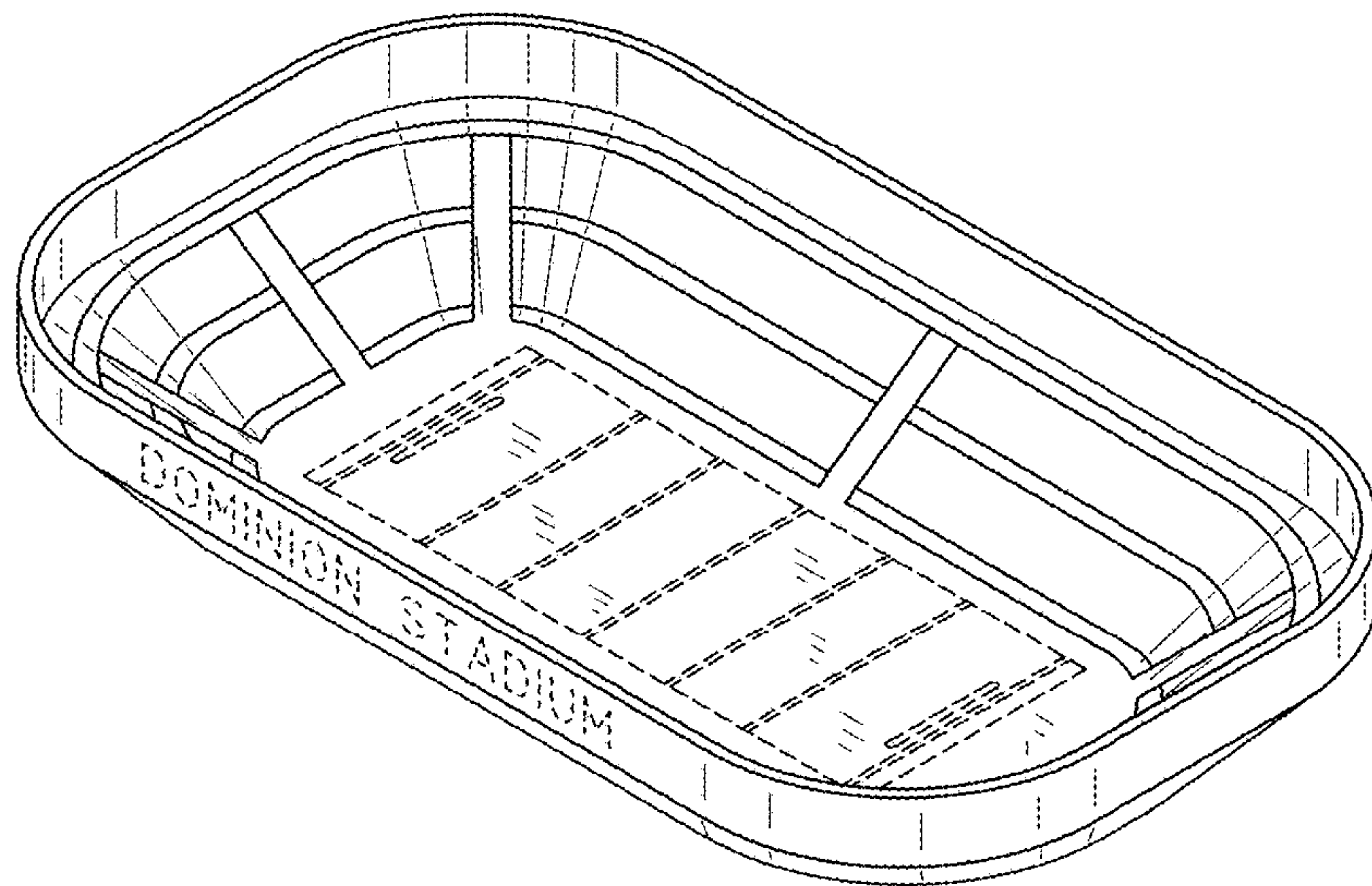
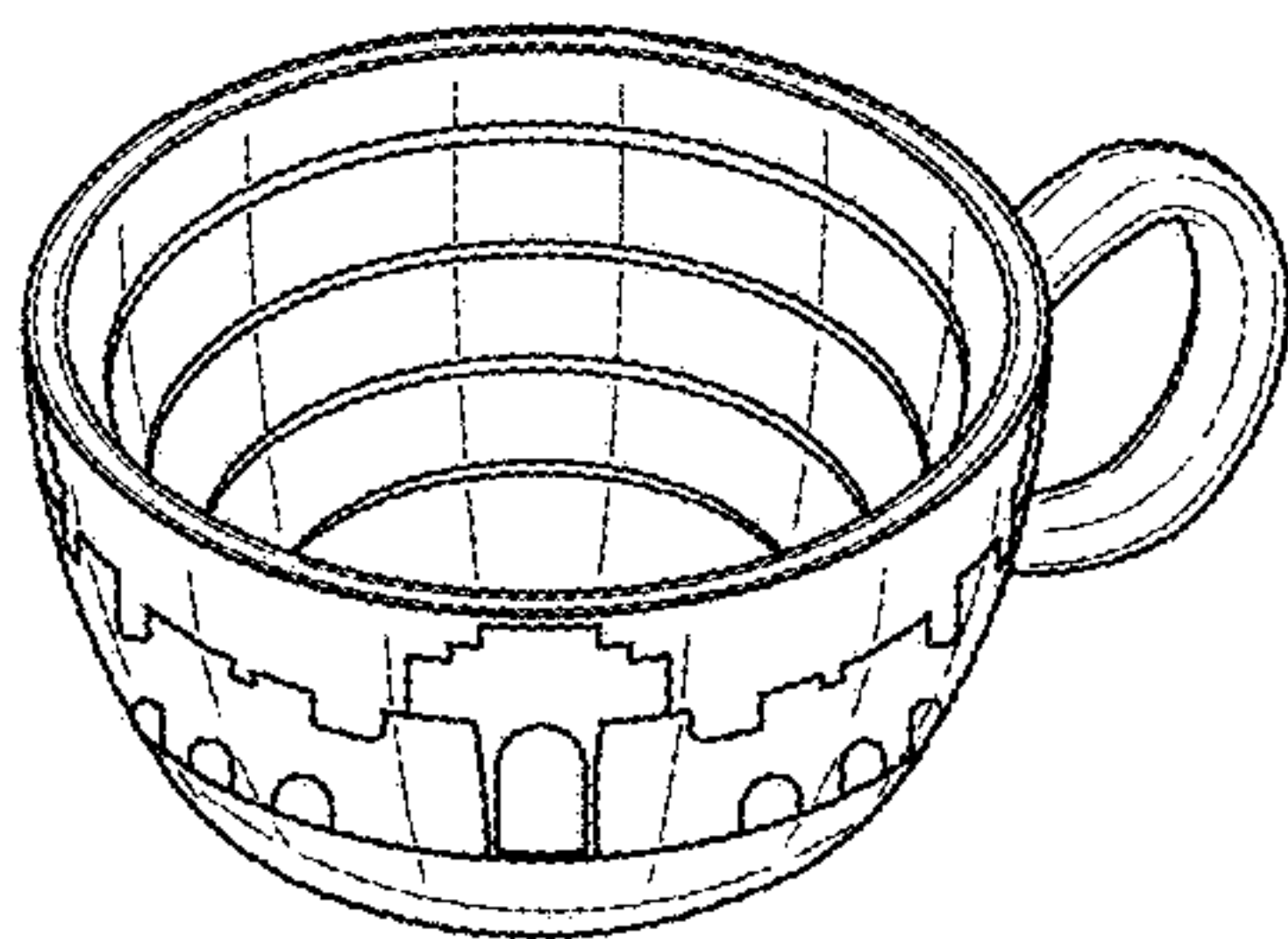
(57) **CLAIM**

The ornamental design for a cup and bowl set, as shown and described.

DESCRIPTION

FIG. 1 is a front view of a cup and bowl set showing my new design, a rear view being a mirror image thereof; FIG. 2 is a left side view of the cup and bowl set; FIG. 3 is a right side view of the cup and bowl set; FIG. 4 is a top view of the cup and bowl set; FIG. 5 is a bottom view of the cup and bowl set; and, FIG. 6 is a top front side perspective view of the cup and bowl set. In the drawings, the broken lines depict environmental subject matter only and form no part of the claimed design.

1 Claim, 6 Drawing Sheets



(56)

References Cited

U.S. PATENT DOCUMENTS

D837,596 S *	1/2019	Altman	D7/514
10,182,676 B2 *	1/2019	Schlief	A47G 23/06
D843,173 S *	3/2019	Altman	D7/505
D845,710 S *	4/2019	Altman	D7/505
D846,353 S *	4/2019	Altman	D7/505
D899,193 S *	10/2020	Gates	D7/567
D901,980 S *	11/2020	Walper	D7/551.1

* cited by examiner

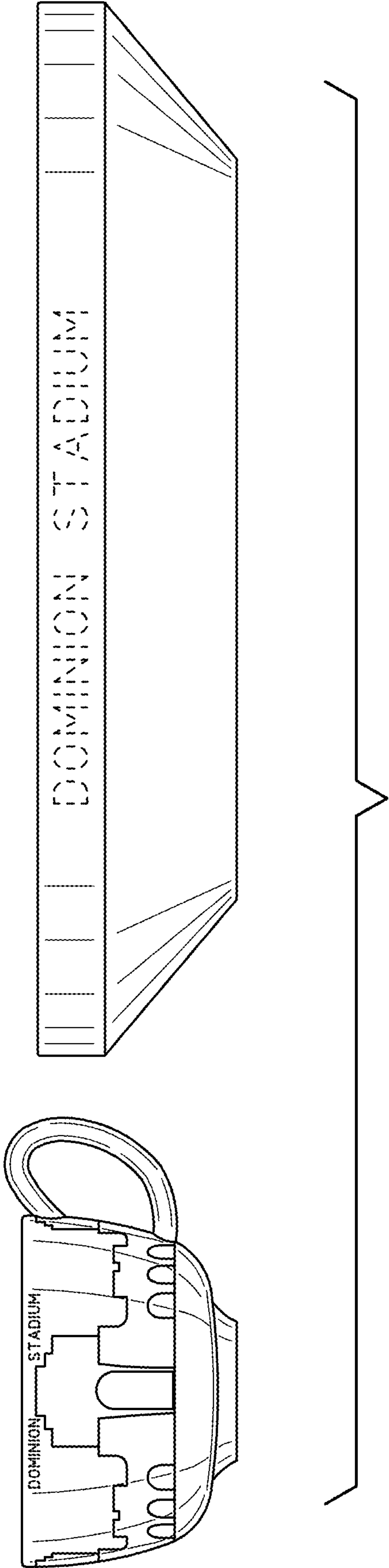


FIG. 1

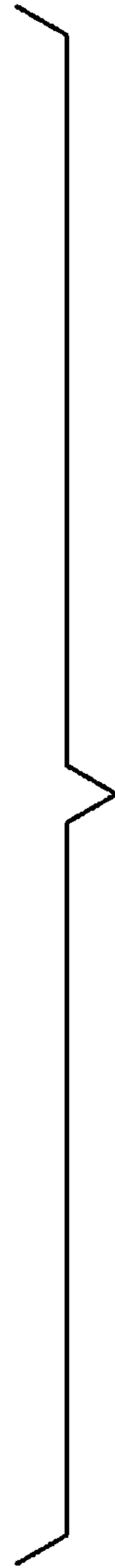
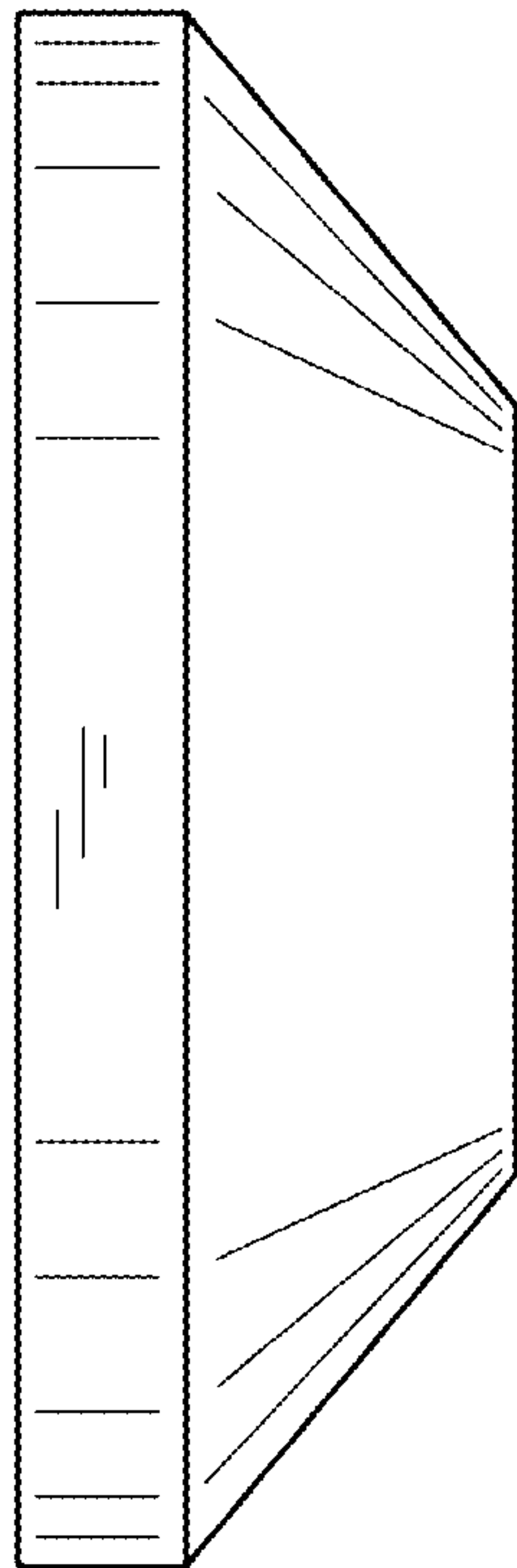
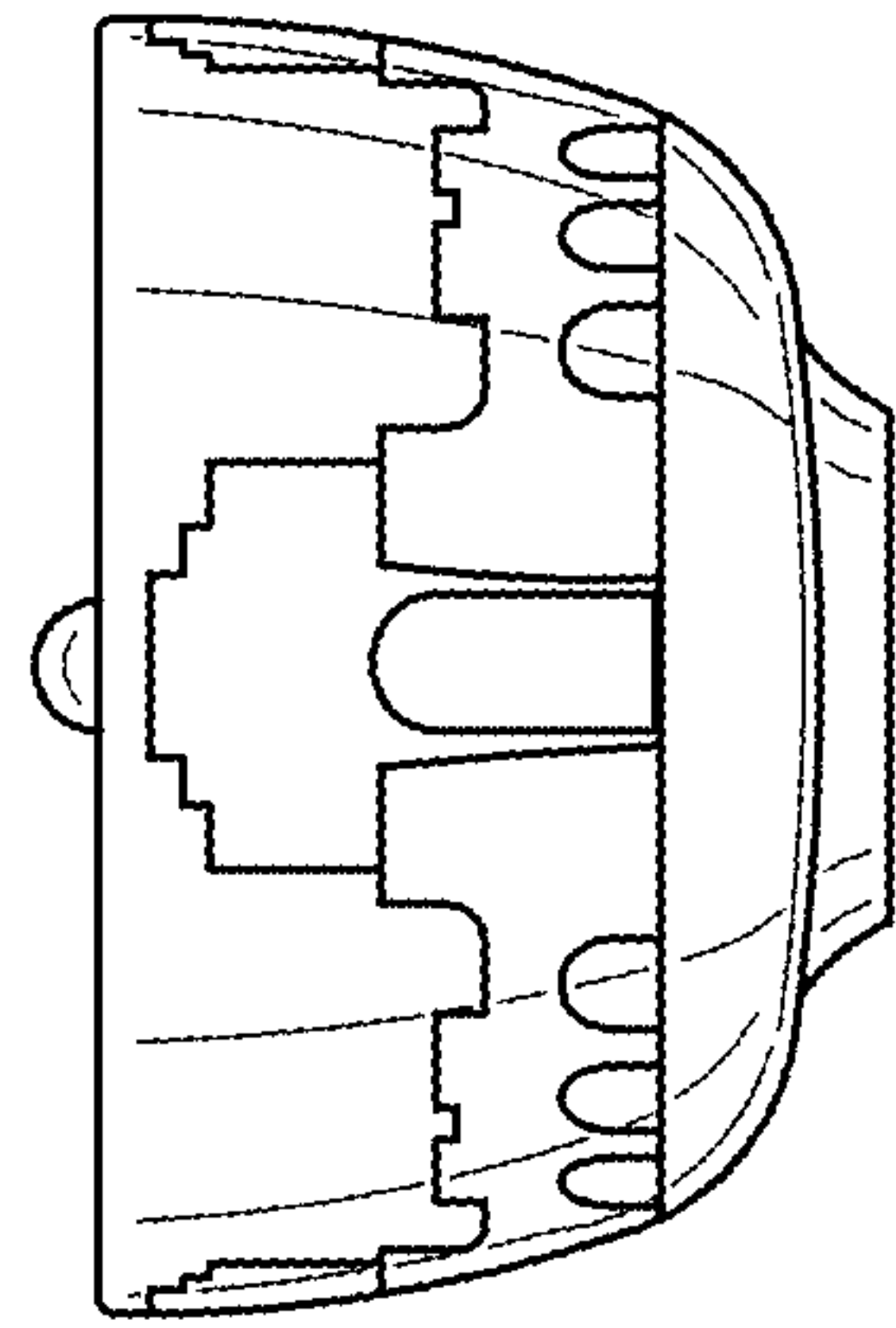


FIG. 2

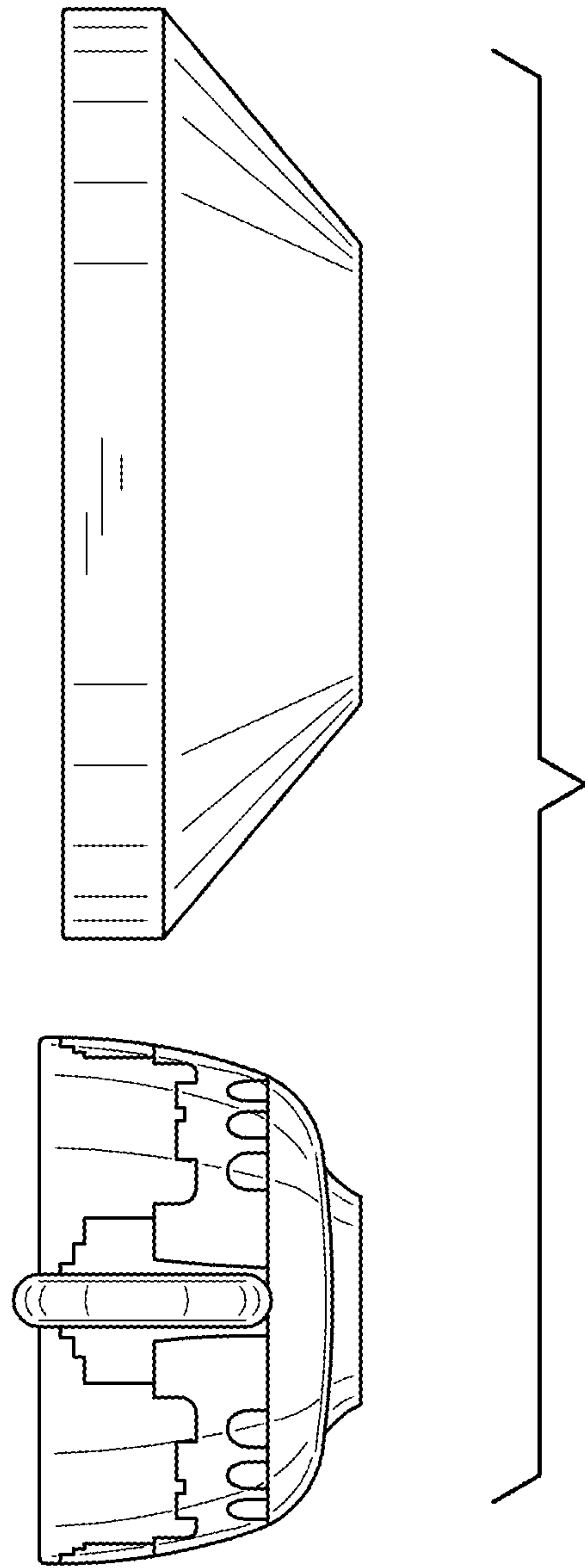


FIG. 3

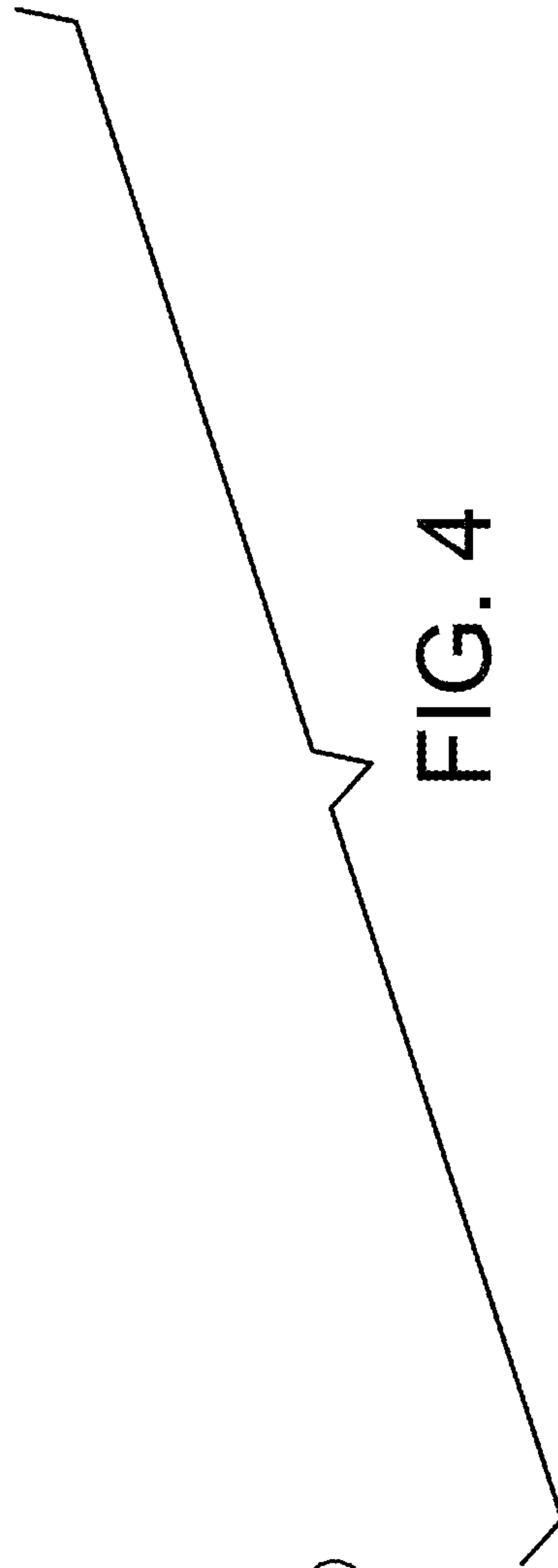
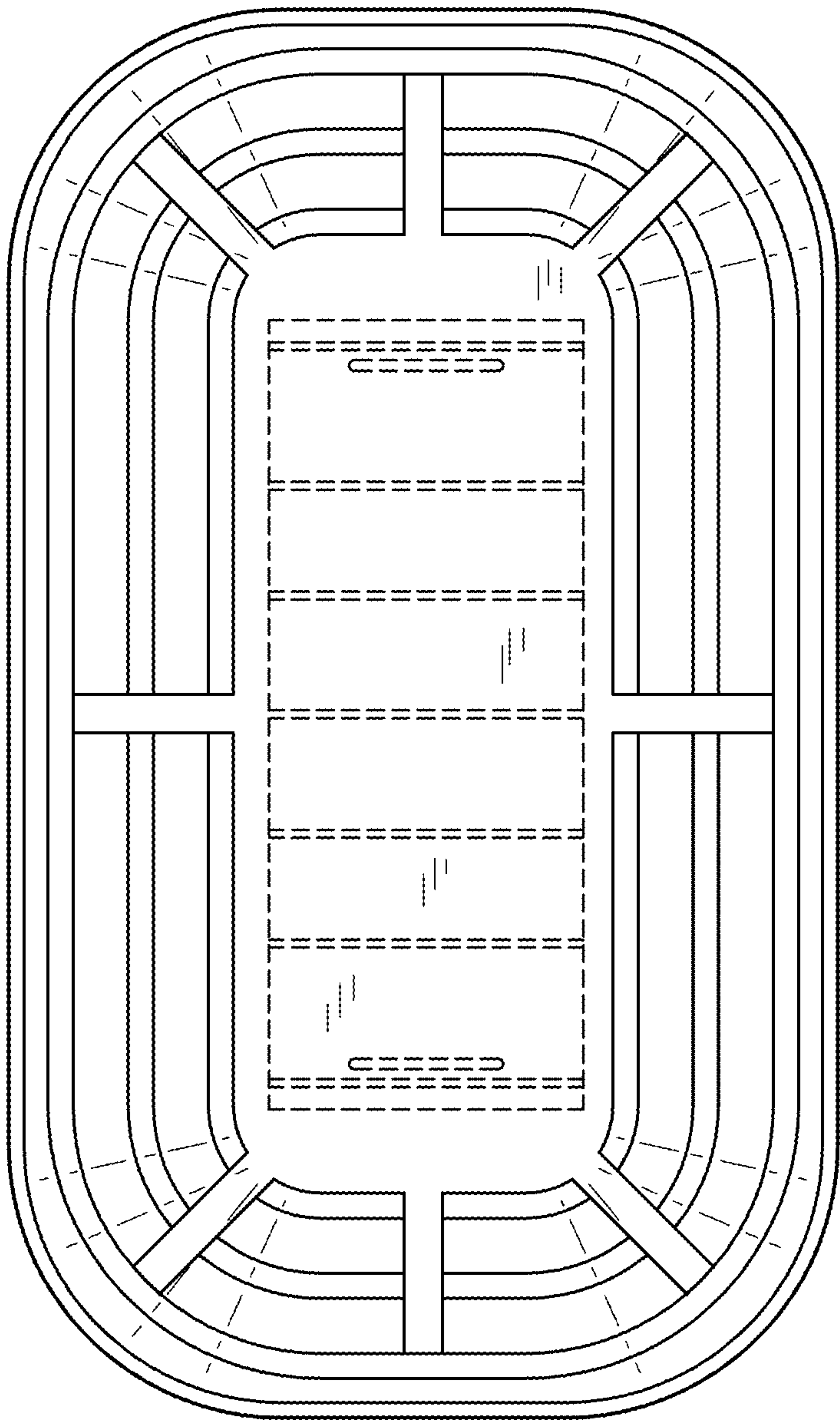
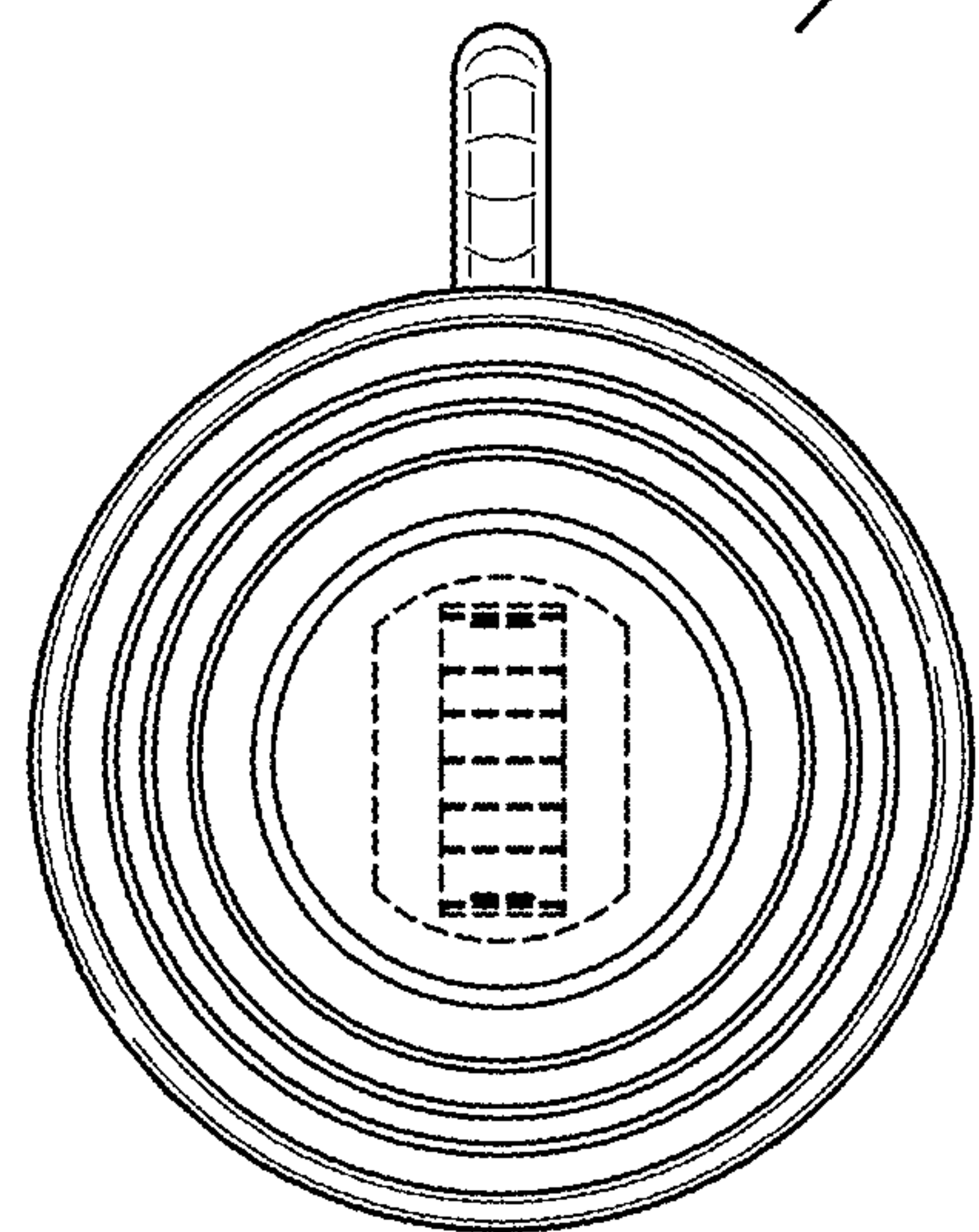
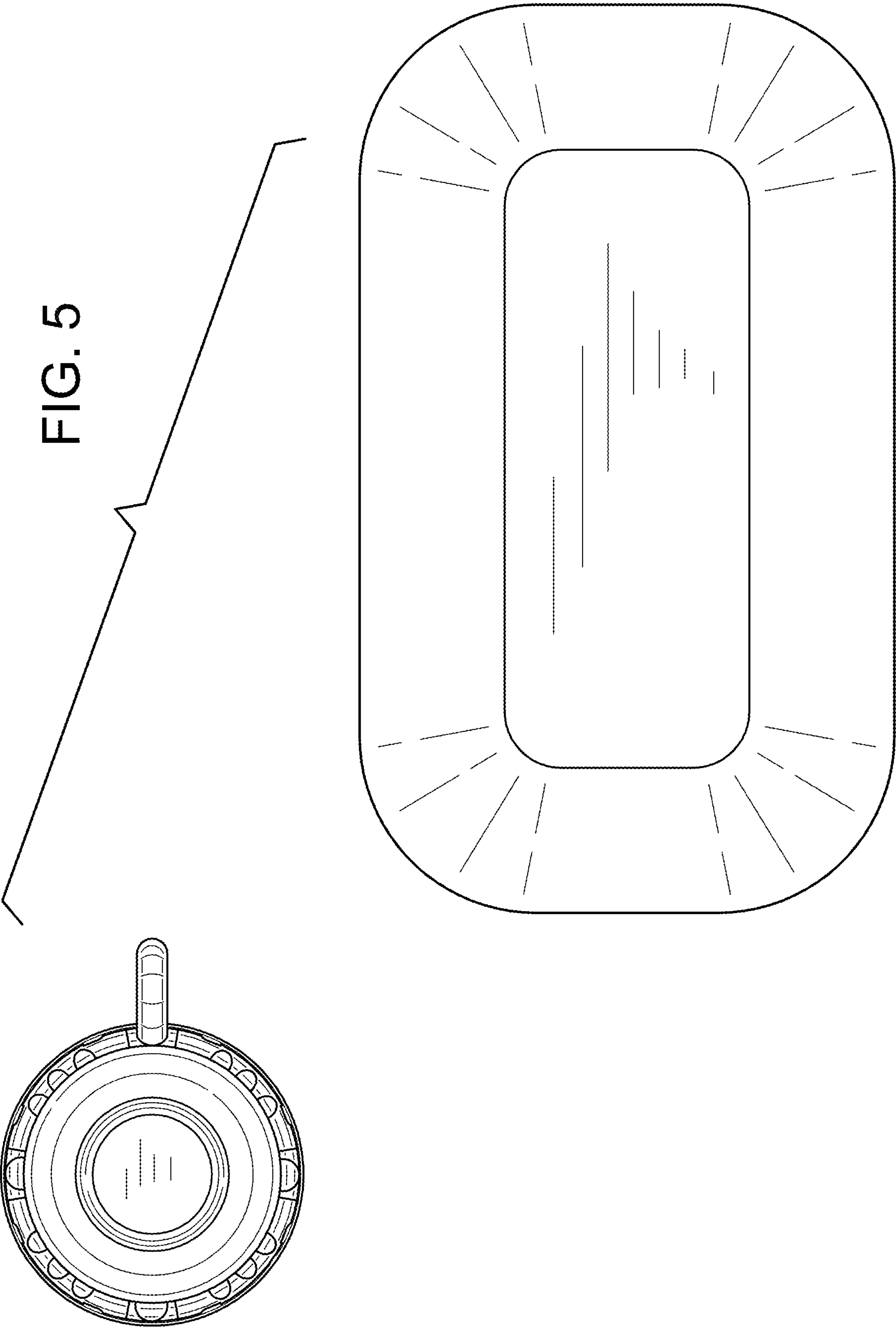


FIG. 4





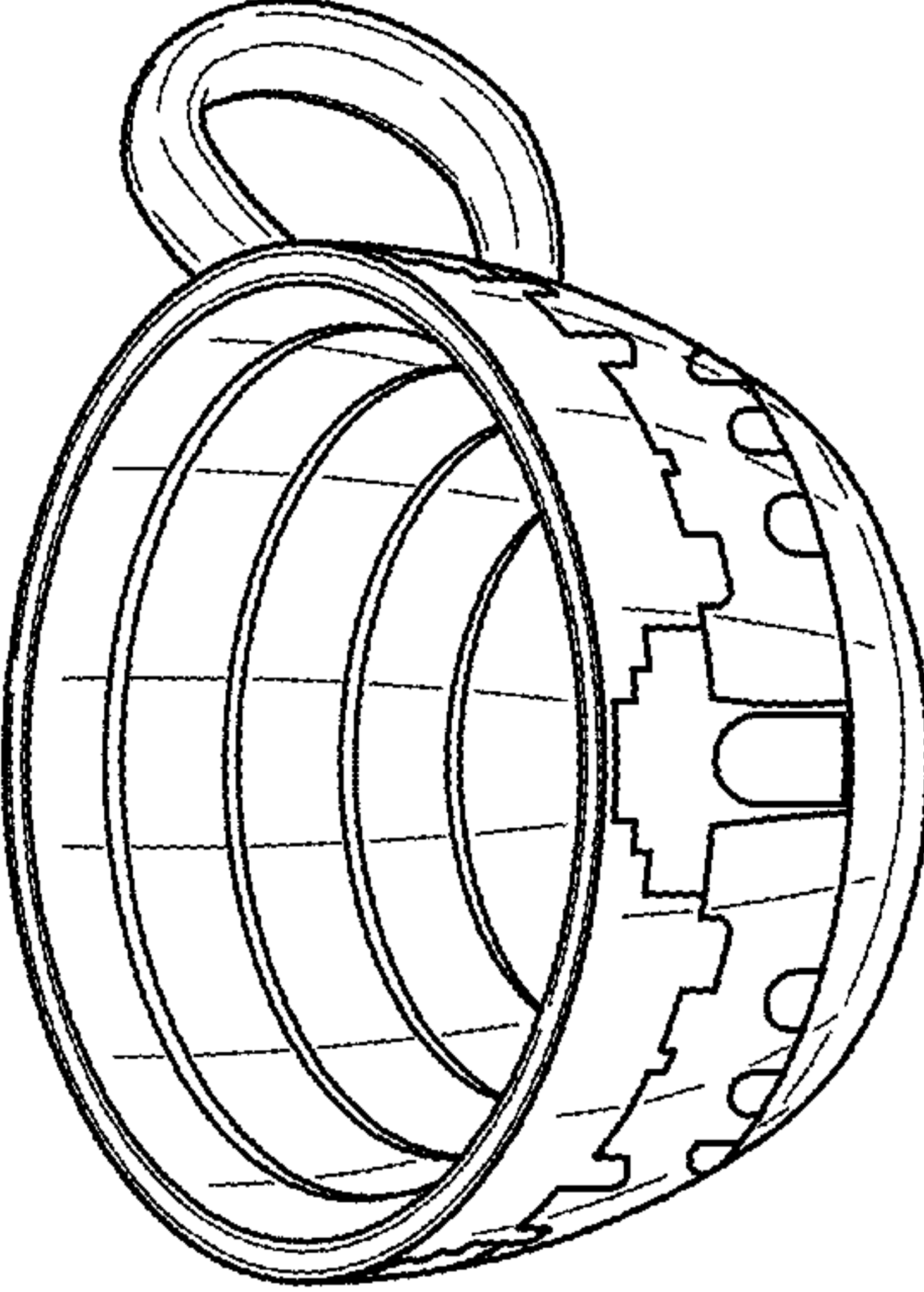
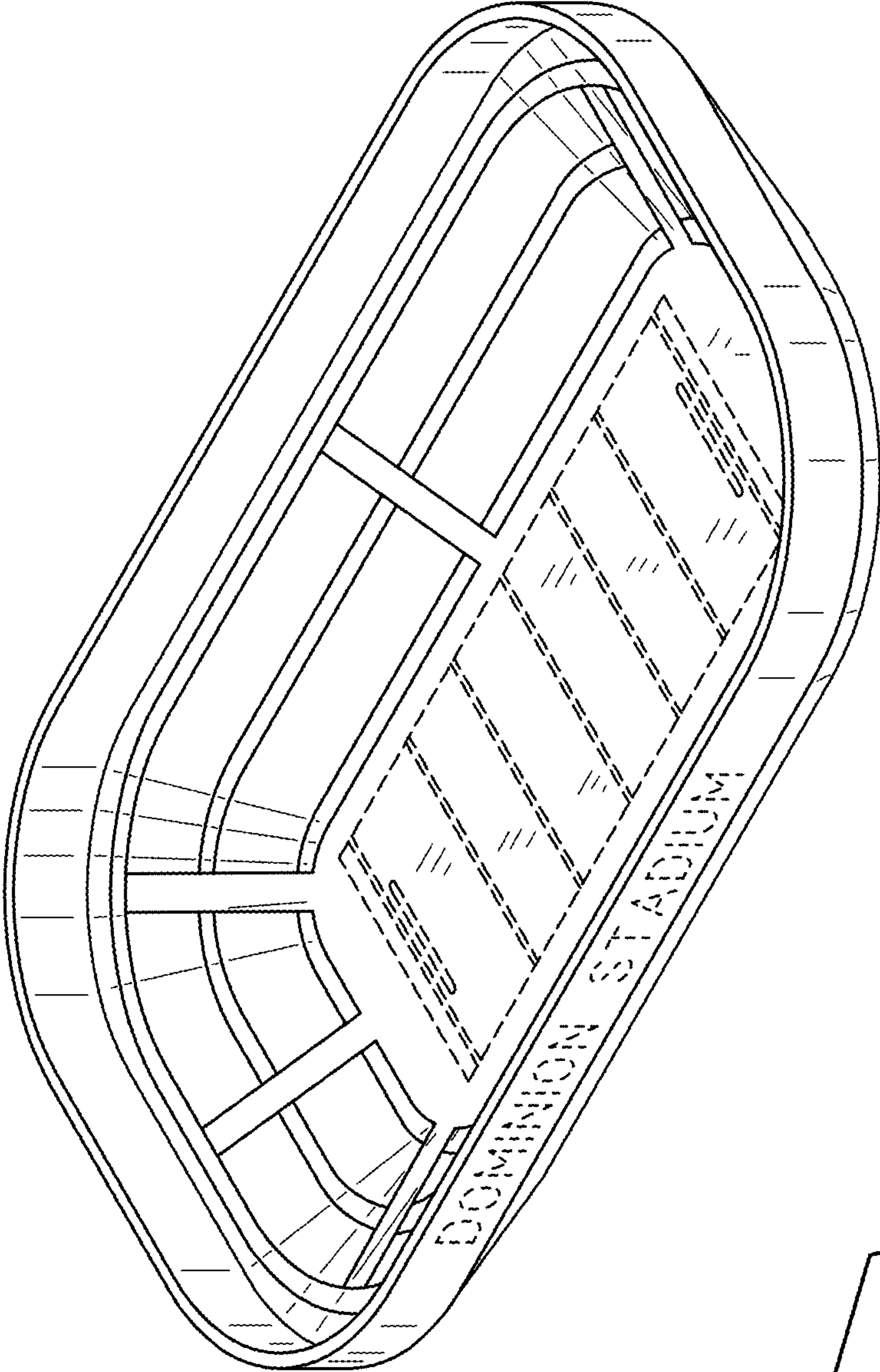


FIG. 6