



US00D987375S

(12) **United States Design Patent** (10) **Patent No.:** **US D987,375 S**  
**Beckstrom** (45) **Date of Patent:** **\*\* May 30, 2023**

(54) **MOTOR DRIVEN FOOD PROCESSING SYSTEM**

(71) Applicant: **CONAIR CORPORATION**, Stamford, CT (US)

(72) Inventor: **David William Beckstrom**, Roxbury, CT (US)

(73) Assignee: **Conair LLC**, Stamford, CT (US)

(\*\*) Term: **15 Years**

(21) Appl. No.: **29/758,108**

(22) Filed: **Nov. 12, 2020**

(51) **LOC (14) Cl.** ..... **07-04**

(52) **U.S. Cl.**  
USPC ..... **D7/412**

(58) **Field of Classification Search**  
USPC ..... D7/305, 306, 368, 372, 376, 377, 378, D7/379, 380, 381, 382, 383, 384, 385, D7/386, 412, 413, 414, 415, 665, 679, D7/693, 694

CPC .... A21C 1/02; A21C 1/04; A23N 1/00; A23N 1/02; A47J 36/10; A47J 43/04; A47J 43/25; A47J 43/042; A47J 43/046; A47J 43/0711; A47J 43/0716; A47J 43/0722; A47J 43/0727; A47J 43/075; A47J 43/0761; A47J 43/085; A47J 43/087; B02C 1/08; B02C 2/04; B02C 4/42; B02C 4/142; B02C 4/143; B02C 4/423; B02C 13/1835; B28C 5/10; B28C 5/14; B28C 5/16

See application file for complete search history.

(56) **References Cited**

**U.S. PATENT DOCUMENTS**

2,930,596 A 3/1960 Waters  
3,250,518 A 5/1966 Van Rossem  
3,415,497 A 12/1968 Johnson

RE27,002 E 12/1970 Stephan et al.  
4,100,613 A 7/1978 Shaeffer  
D318,398 S \* 7/1991 Disco ..... D7/378  
5,383,613 A 1/1995 Sundquist  
5,533,797 A 7/1996 Gelber  
5,957,577 A 9/1999 Dickson et al.  
D424,865 S 5/2000 Crescenzi et al.  
D428,302 S \* 7/2000 Miller ..... D7/619.1  
6,571,908 B2 6/2003 Bohannon et al.  
D528,364 S 9/2006 Kolar et al.  
D635,823 S \* 4/2011 Mauffette ..... D7/397  
8,087,603 B2 1/2012 Kolar et al.  
D669,741 S \* 10/2012 Shaw ..... D7/619.1  
D734,673 S \* 7/2015 Brin ..... D9/454  
D770,238 S \* 11/2016 Lundwall ..... D7/620  
9,681,778 B2 6/2017 Pendleton et al.  
9,770,133 B2 9/2017 Dickson, Jr. et al.  
9,901,215 B2 \* 2/2018 Rosenzweig ..... F16D 1/10

(Continued)

*Primary Examiner* — Andrew Kerr

*Assistant Examiner* — Chariton Alexakis

(74) *Attorney, Agent, or Firm* — Grogan, Tuccillo & Vanderleeden, LLP

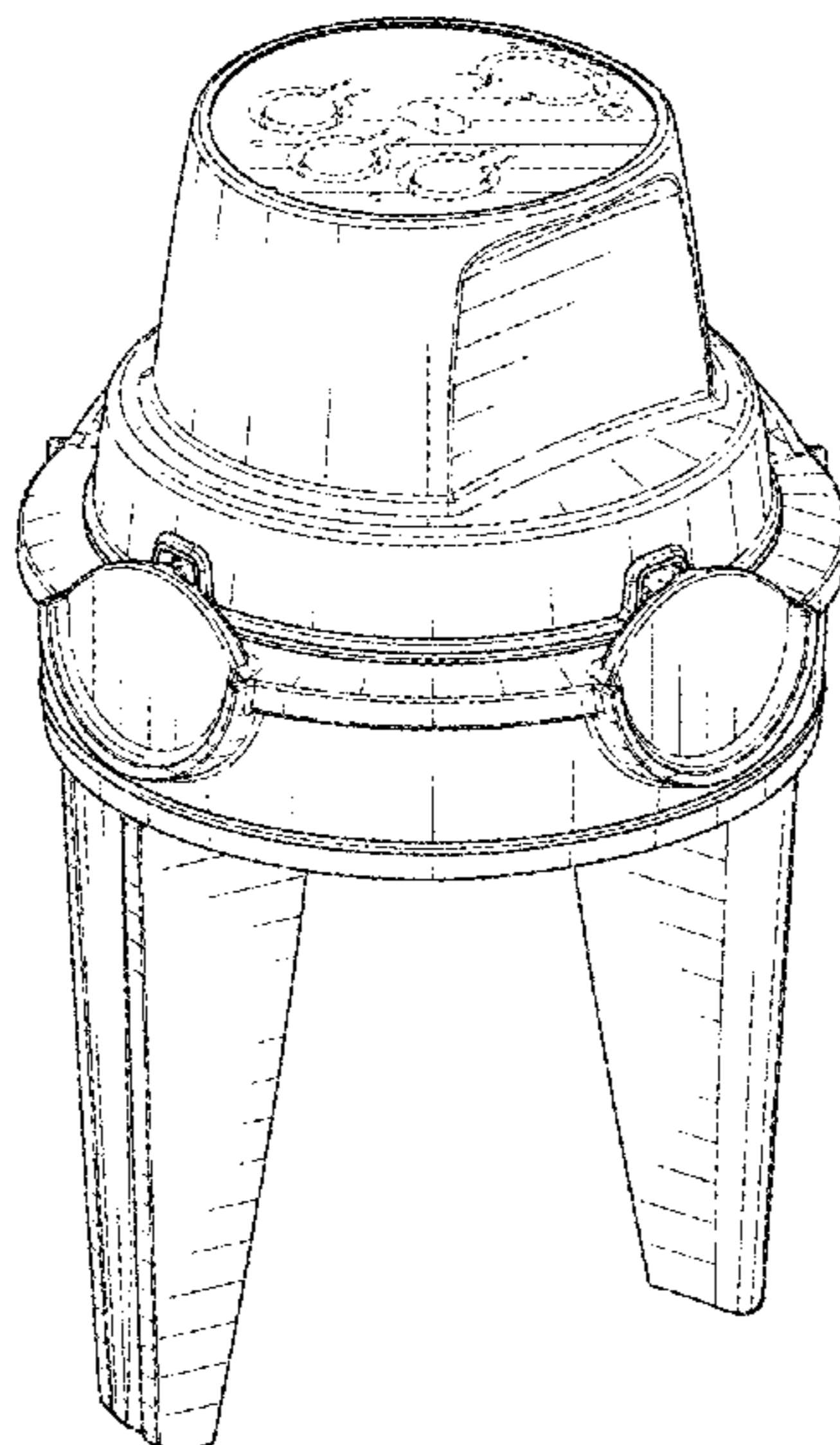
(57) **CLAIM**

The ornamental design for a motor driven food processing system, as shown and described.

**DESCRIPTION**

FIG. 1 is a top perspective view of a motor driven food processing system showing a new design; FIG. 2 is a front elevational view thereof; FIG. 3 is a rear elevational view thereof; FIG. 4 is a left side elevational view thereof; FIG. 5 is a right side elevational view thereof; FIG. 6 is a top plan view thereof; FIG. 7 is a bottom plan view thereof; and, FIG. 8 is a bottom perspective view thereof. The broken lines in the drawings depict portions of the motor driven food processing system that form no part of the claimed design.

**1 Claim, 7 Drawing Sheets**



(56)

**References Cited**

U.S. PATENT DOCUMENTS

D817,110 S *	5/2018	Kellow, Jr. ....	A47J 43/046
			D7/619.1
D838,538 S	1/2019	Carlson	
10,357,131 B2	7/2019	Dickson, Jr. et al.	
10,357,749 B2	7/2019	Fleming	
D883,021 S	5/2020	McConnell et al.	
10,638,884 B2	5/2020	Zakowski et al.	
2014/0299701 A1	10/2014	Zakowski	
2017/0209000 A1 *	7/2017	Dickson, Jr. ....	A47J 43/046

\* cited by examiner

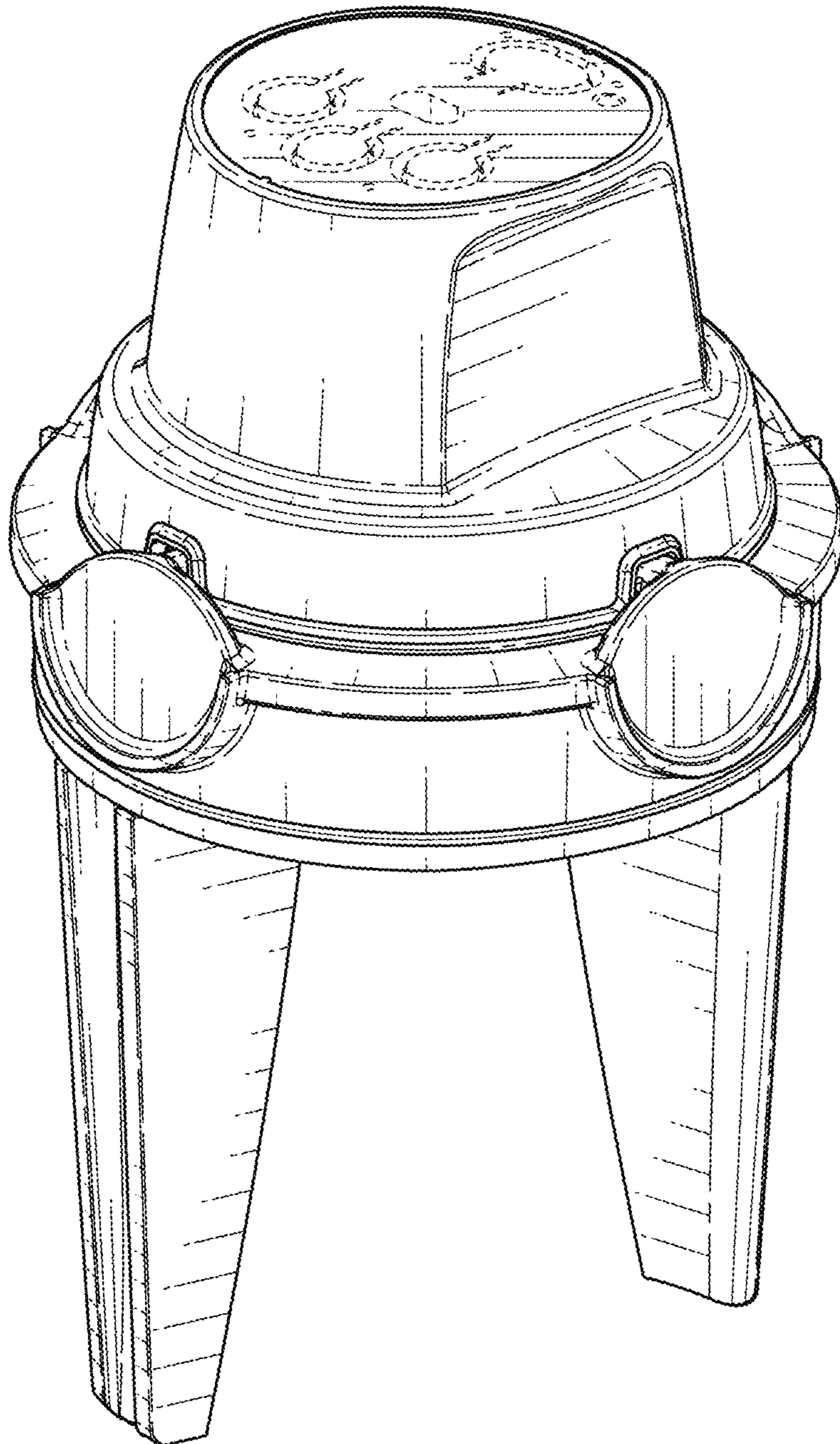


FIG. 1

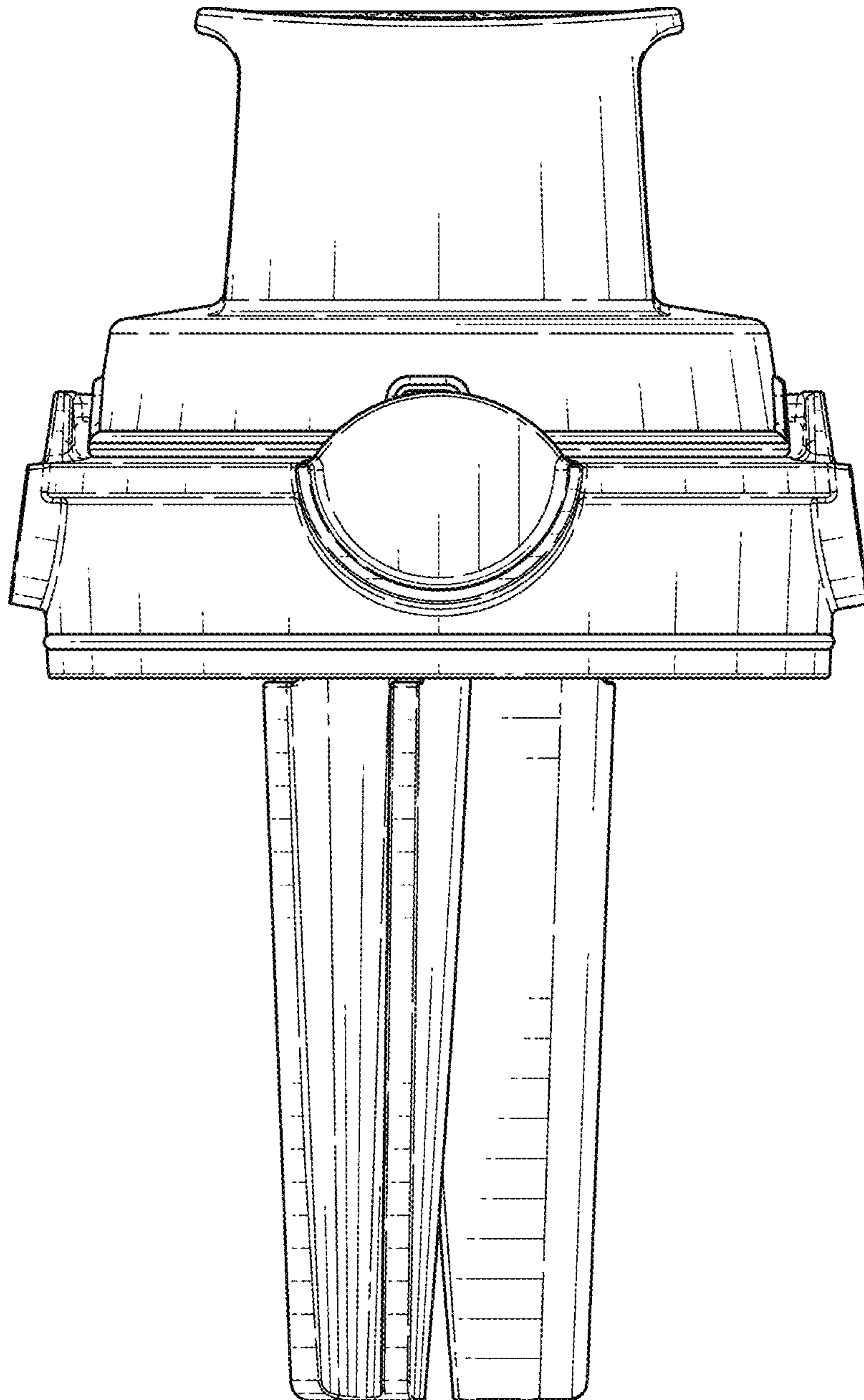


FIG. 2

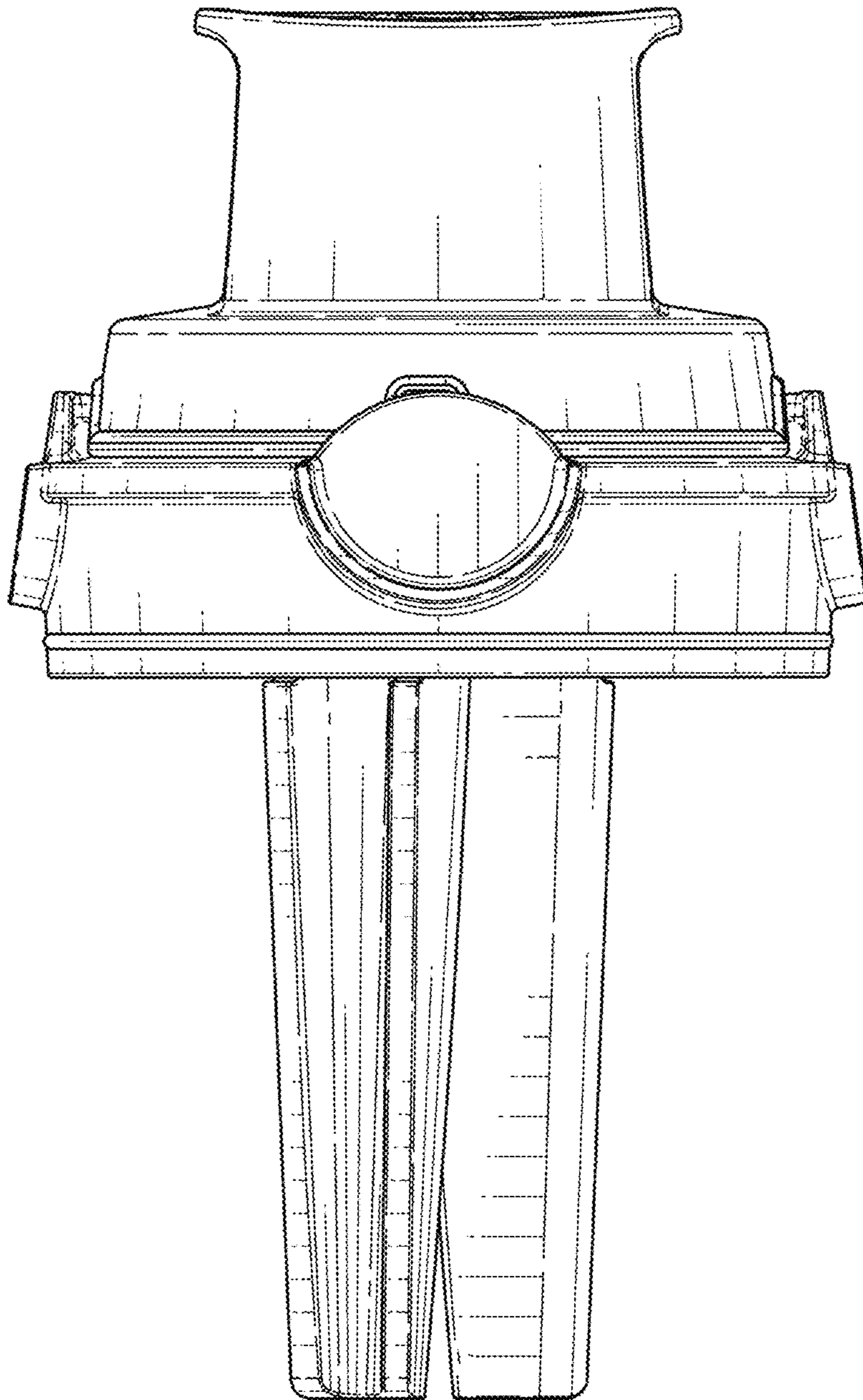


FIG. 3

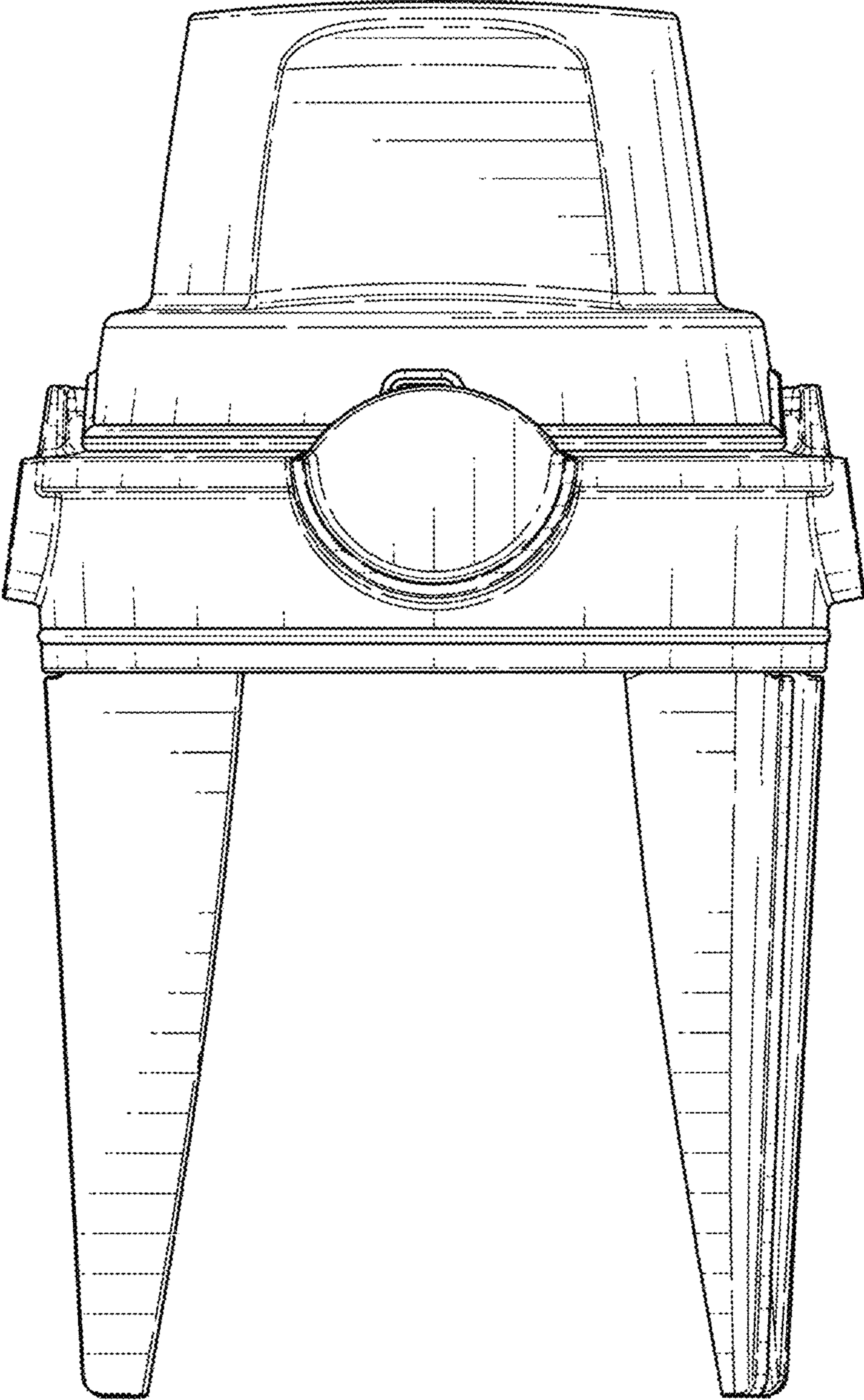


FIG. 4

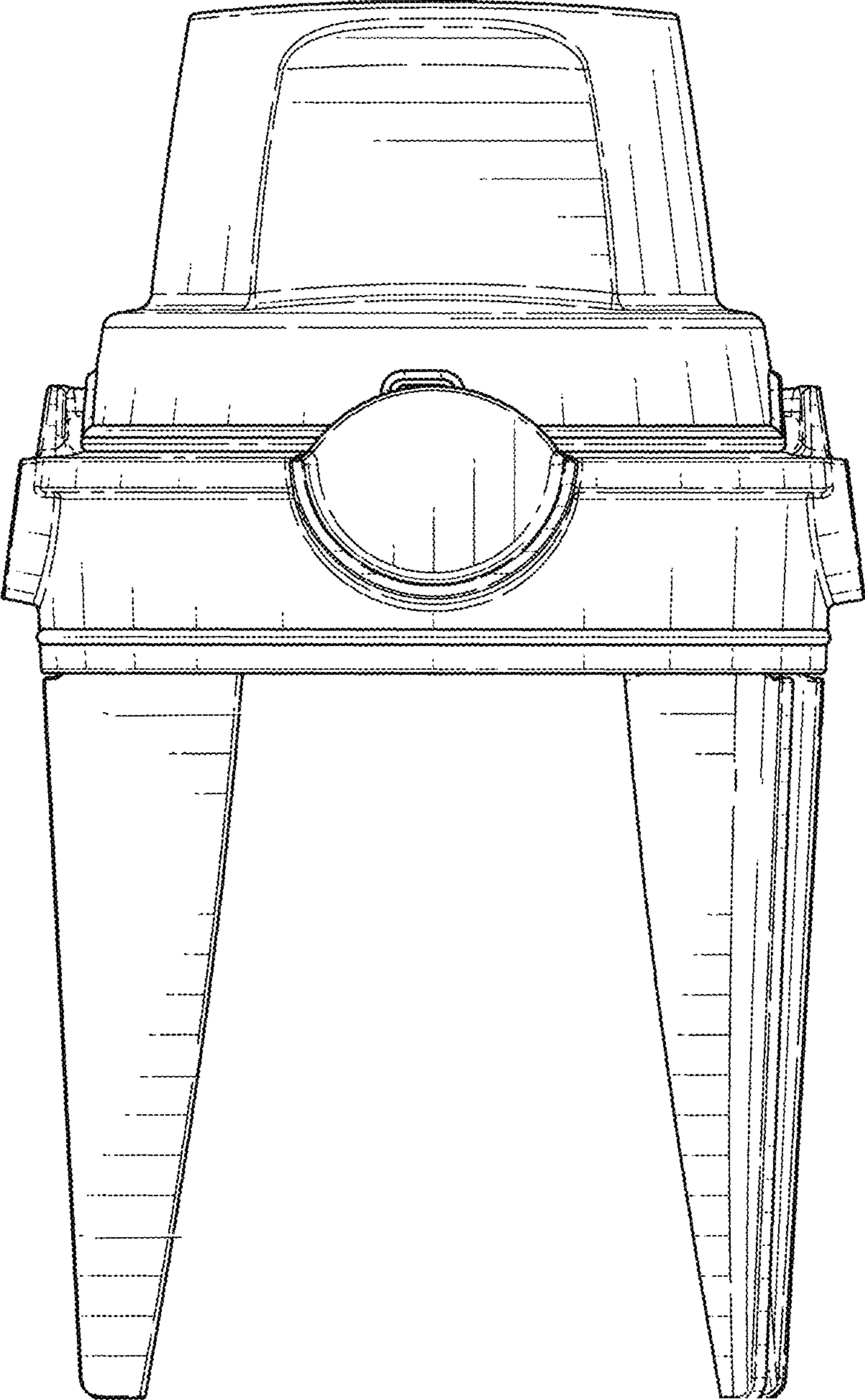


FIG. 5

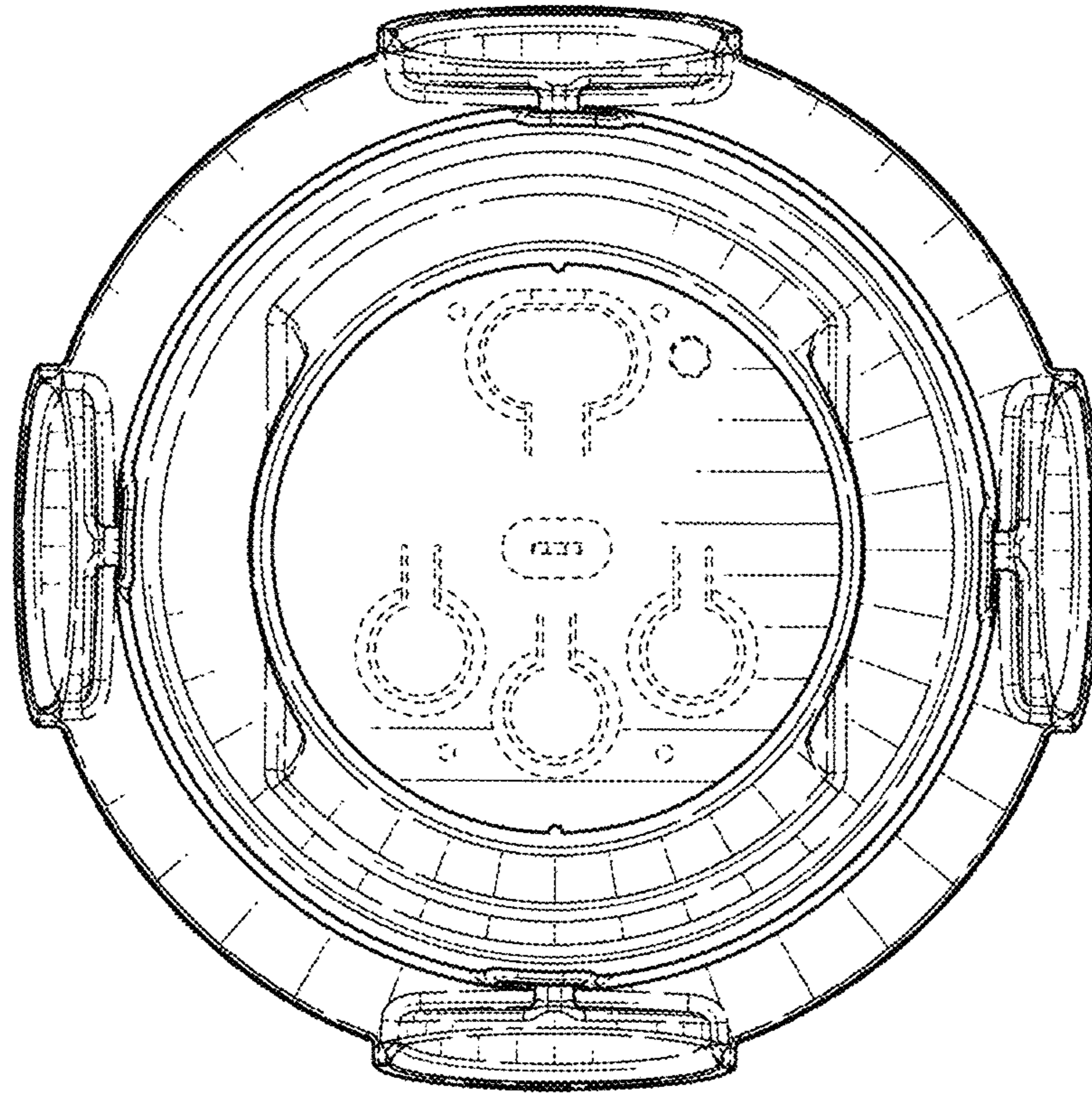


FIG. 6

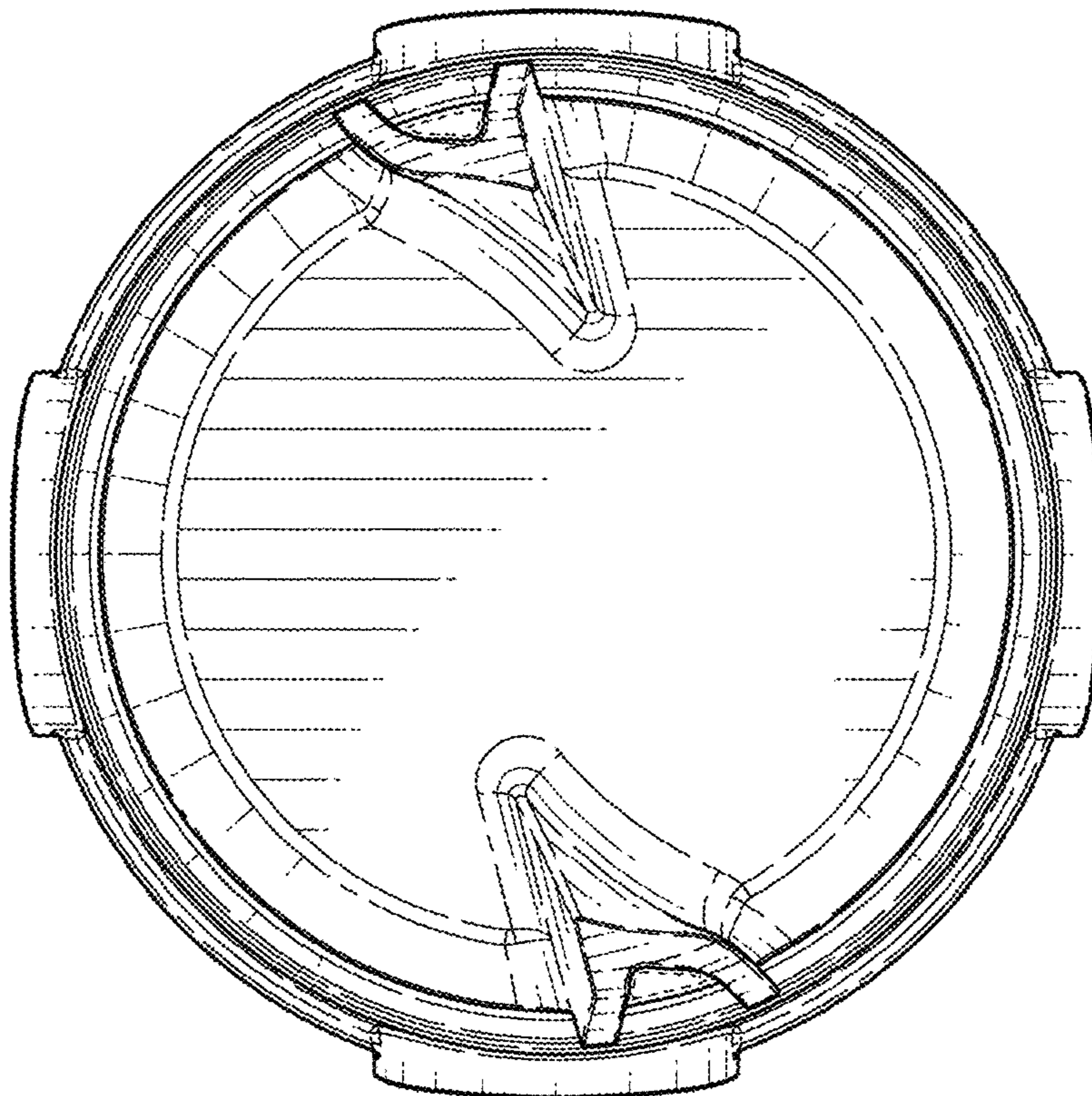


FIG. 7



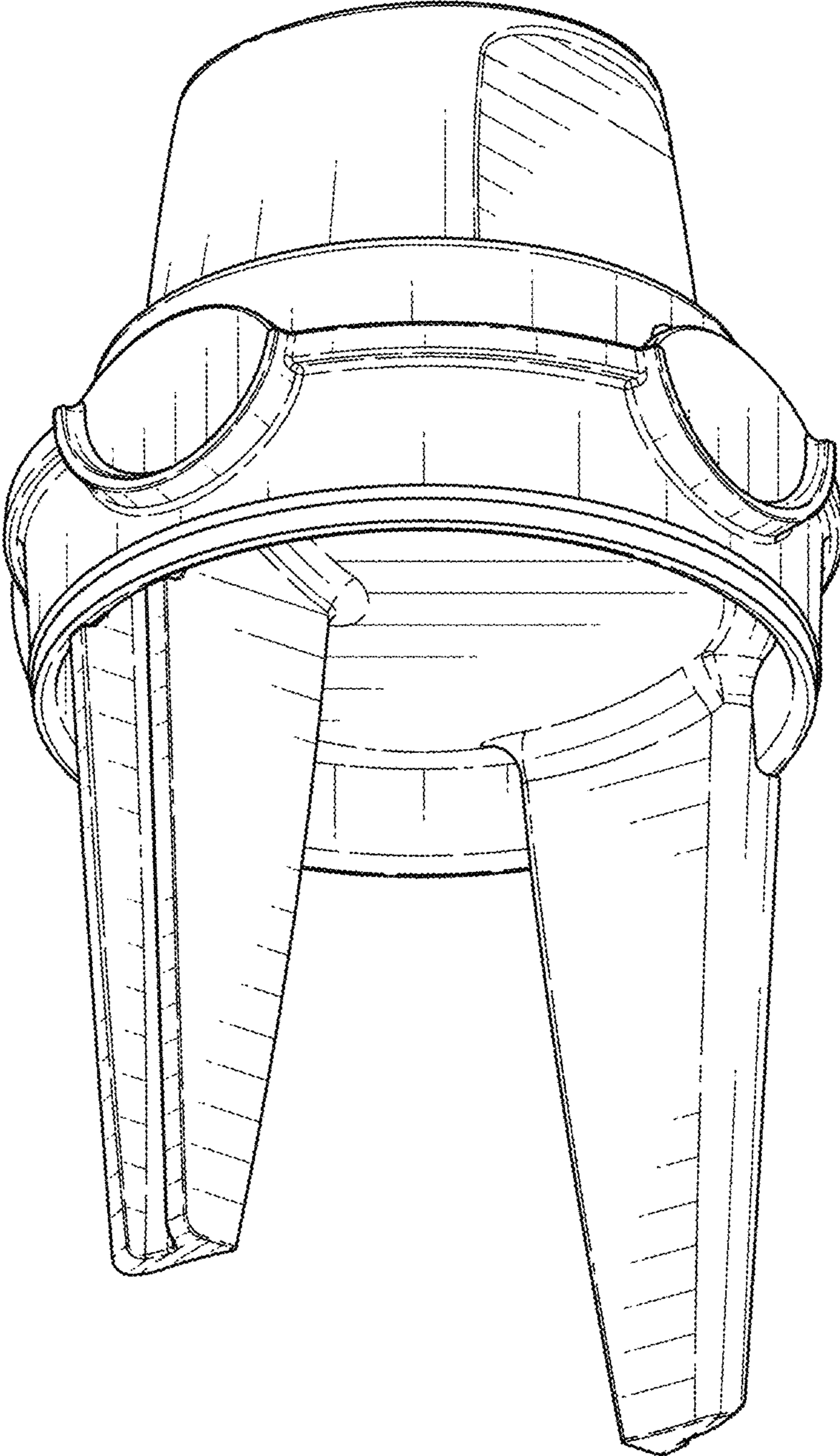


FIG. 8