



US00D987374S

(12) **United States Design Patent**
Weisbrod

(10) **Patent No.:** **US D987,374 S**
(45) **Date of Patent:** **** May 30, 2023**

(54) **STAND-MIXER SLIDER**
(71) Applicant: **Spa Sled Mover, LLC**, Nixa, MO (US)
(72) Inventor: **Steven Weisbrod**, Nixa, MO (US)
(73) Assignee: **Spa Sled Mover, LLC**, Nixa, MO (US)
(**) Term: **15 Years**

(21) Appl. No.: **29/754,392**
(22) Filed: **Oct. 9, 2020**
(51) **LOC (14) Cl.** **07-04**
(52) **U.S. Cl.**
USPC **D7/412**
(58) **Field of Classification Search**
USPC D7/300, 306, 323, 372, 376, 377, 378,
D7/379, 380, 381, 382, 383, 384, 385,
D7/386, 412, 413, 602, 629, 665, 666,
D7/669, 679, 693, 694
CPC A21C 1/02; A21C 1/04; A23N 1/00; A23N
1/02; A47J 43/04; A47J 43/25; A47J
43/042; A47J 43/044; A47J 43/046; A47J
43/07; A47J 43/0705; A47J 43/0722;
A47J 43/0727
See application file for complete search history.

(56) **References Cited**

U.S. PATENT DOCUMENTS

D438,052 S * 2/2001 Po-Hei D7/379
D696,062 S * 12/2013 Picozza D7/378
D719,776 S * 12/2014 Kunz D7/311
D738,663 S * 9/2015 De'Longhi D7/311
D811,158 S * 2/2018 Yuan D7/372
D818,298 S * 5/2018 Kohler D7/311
D818,761 S * 5/2018 Wang D7/378
D865,458 S * 11/2019 Kim D7/665

D909,118 S * 2/2021 McConnell D7/372
D922,816 S * 6/2021 Marshall A47J 19/02
D7/378
D935,842 S * 11/2021 Weisbrod A47J 43/0705
D7/412
2013/0239819 A1* 9/2013 Giua A47J 43/0705
99/291
2014/0261019 A1* 9/2014 Conti A47J 19/02
99/513

* cited by examiner

Primary Examiner — Andrew Kerr
Assistant Examiner — Chariton Alexakis
(74) *Attorney, Agent, or Firm* — Shook, Hardy & Bacon
L.L.P.

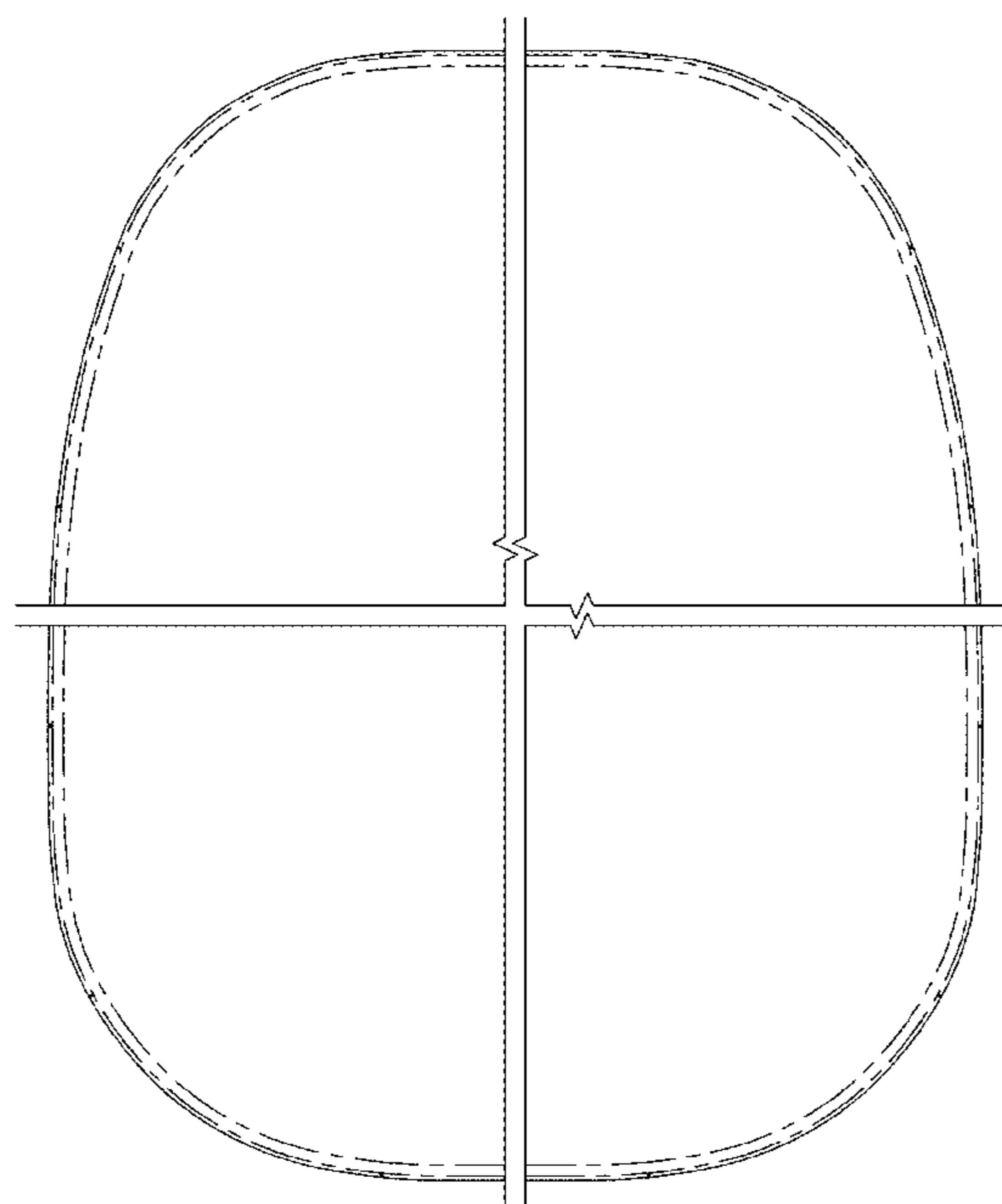
(57) **CLAIM**

The ornamental design for a stand-mixer slider, as shown and described.

DESCRIPTION

FIG. 1 is a plan view of a stand-mixer slider showing my design;
FIG. 2 is a bottom view thereof;
FIG. 3 is a front elevation view thereof;
FIG. 4 is a rear elevation view thereof;
FIG. 5 is a side elevation view thereof and the opposing side (not shown) is a mirror image; and,
FIG. 6 is a perspective view showing the stand-mixer slider in-use.
The even-length broken lines depict environmental structure of the stand-mixer slider, and form no part of the claimed design. The long and short broken lines in the drawing views define the bounds of the claimed design and form no part thereof. The stand-mixer slider is shown with a symbolic break in its length. The appearance of any portion of the article between the break lines forms no part of the claimed design.

1 Claim, 6 Drawing Sheets



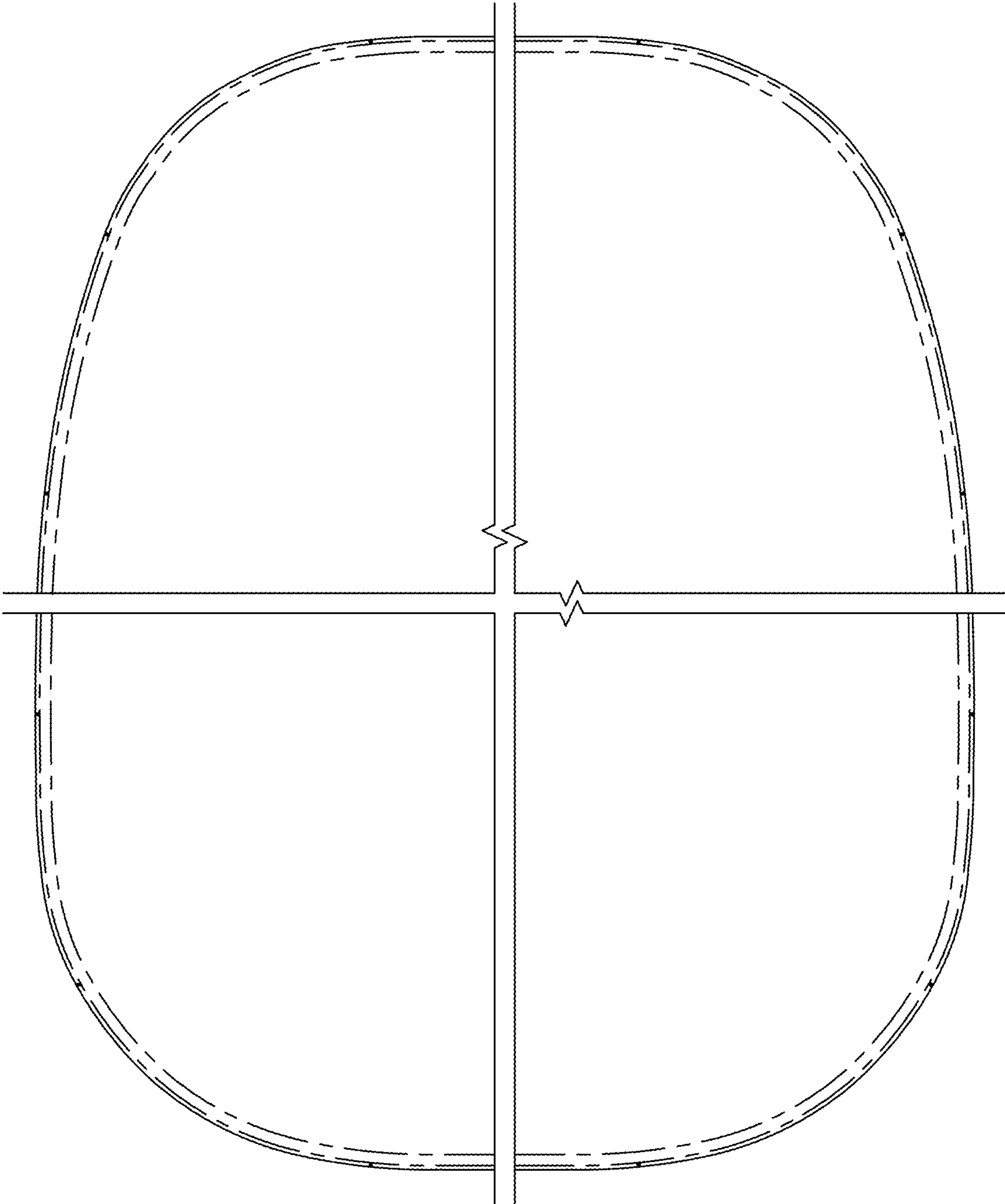


FIG. 1

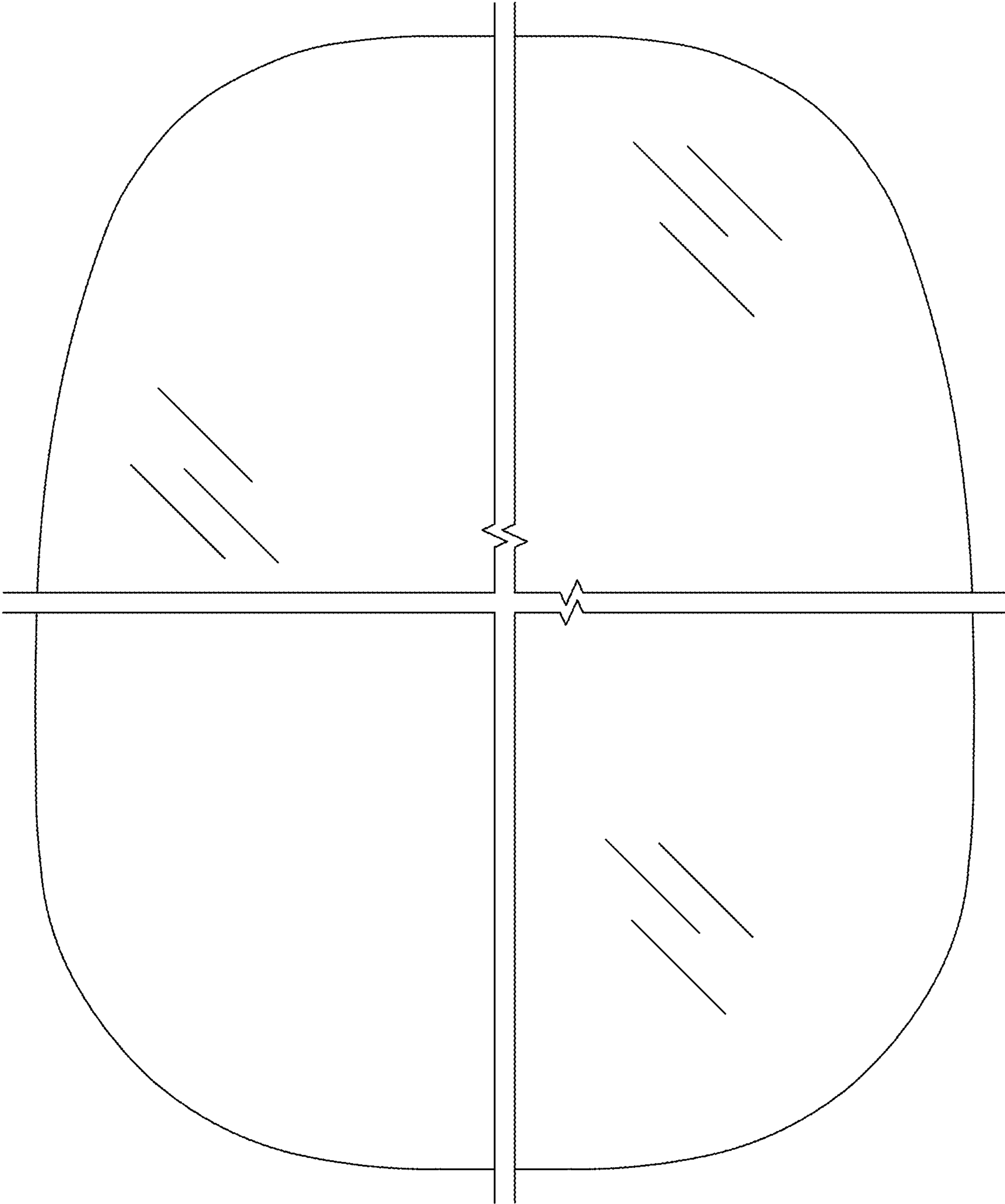


FIG. 2

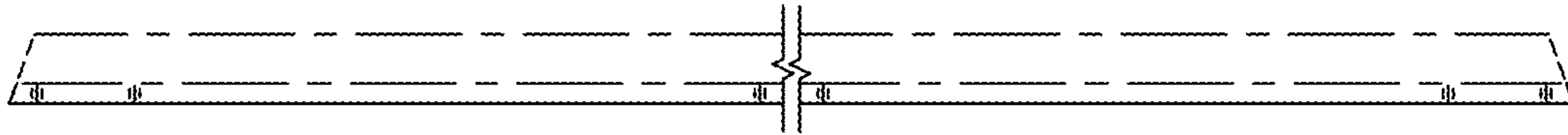


FIG. 3

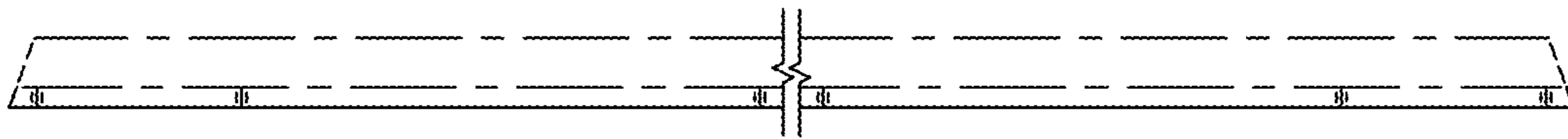


FIG. 4

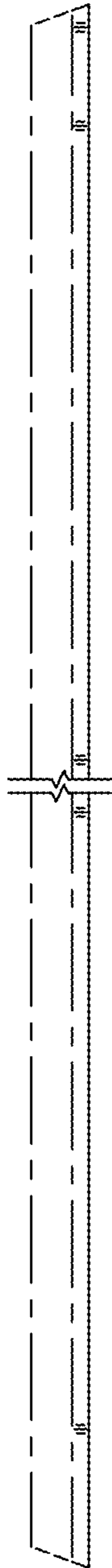


FIG. 5

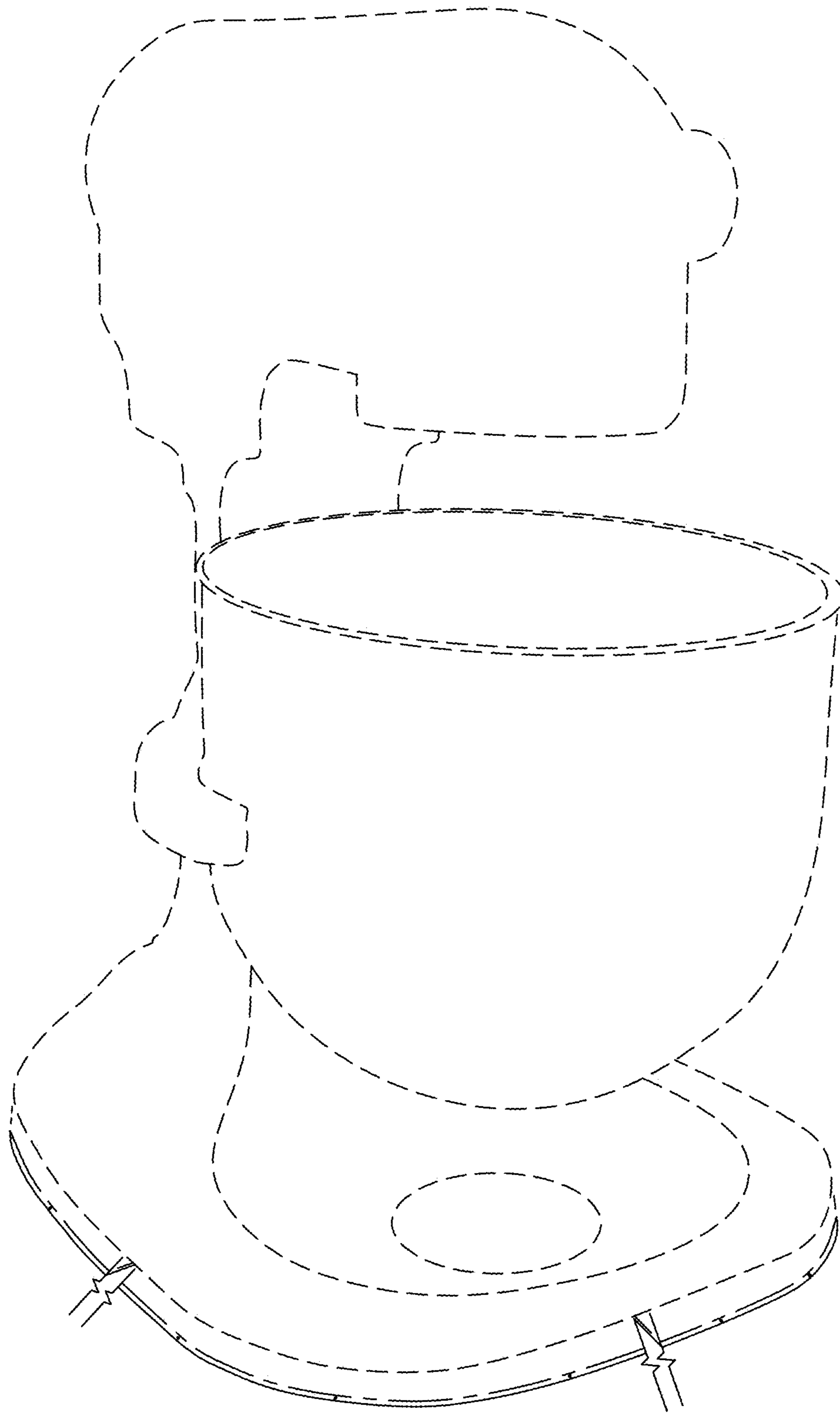


FIG. 6