



US00D987371S

(12) **United States Design Patent** (10) **Patent No.:** **US D987,371 S**
Carter et al. (45) **Date of Patent:** **** May 30, 2023**

(54) **FIREBOX BASKET FOR A GRILL OR SMOKER**

5,094,223 A * 3/1992 Gonzalez F24B 15/005
126/41 R
D464,227 S * 10/2002 Eisinger D7/332
7,063,006 B1 * 6/2006 Spehle F24B 1/205
126/30

(71) Applicant: **Premier Specialty Brands LLC**,
Chamblee, GA (US)

(Continued)

(72) Inventors: **Adam Carter**, Auburn, AL (US);
Donald Stephen Gazdick, III,
Suwanee, GA (US); **Robert V. Terrell**,
Auburn, AL (US); **Daniel Mercer**,
Hamilton, GA (US); **Joseph Pruitt**,
Athens, GA (US)

FOREIGN PATENT DOCUMENTS

KR 300962219.0000 * 6/2018
WO D035718-011 * 5/1996
WO D035718-012 * 5/1996

(73) Assignee: **Premier Specialty Brands LLC**,
Chamblee, GA (US)

OTHER PUBLICATIONS

Kamado Joe Stainless Steel Charcoal Basket Grill, Apr. 15, 2021, <https://www.amazon.co.uk/KamadoJoe-Junior-Charcoal-Basket-Accessory/dp/B08XNRDM25> (Year: 2021).*

(**) Term: **15 Years**

(Continued)

(21) Appl. No.: **29/809,413**

Primary Examiner — Brett Miller
Assistant Examiner — Nader Abadir
(74) *Attorney, Agent, or Firm* — Miller & Martin PLLC

(22) Filed: **Sep. 28, 2021**

(51) **LOC (14) Cl.** **07-02**

(52) **U.S. Cl.**
USPC **D7/409; D7/408**

(58) **Field of Classification Search**
USPC D7/402, 406, 408, 409; D6/510-511,
D6/513, 566; D34/42; 211/74, 88, 106,
211/181; 220/19
CPC .. A47J 36/22; A47J 37/00; A47J 37/04; A47J
37/041; A47J 37/042; A47J 37/06; A47J
37/0688; A47J 37/0694; A47J 37/07;
A47J 37/0704; A47J 37/10; A47J
37/1295; A47J 45/071; A47J 45/20; A47J
2037/00; A47J 2037/06; A47J 2037/0611;
A47J 2037/07; A47J 2037/0786; A47J
2037/0795

See application file for complete search history.

(57) **CLAIM**

The ornamental design for a firebox basket for a grill or smoker, as shown and described herein.

DESCRIPTION

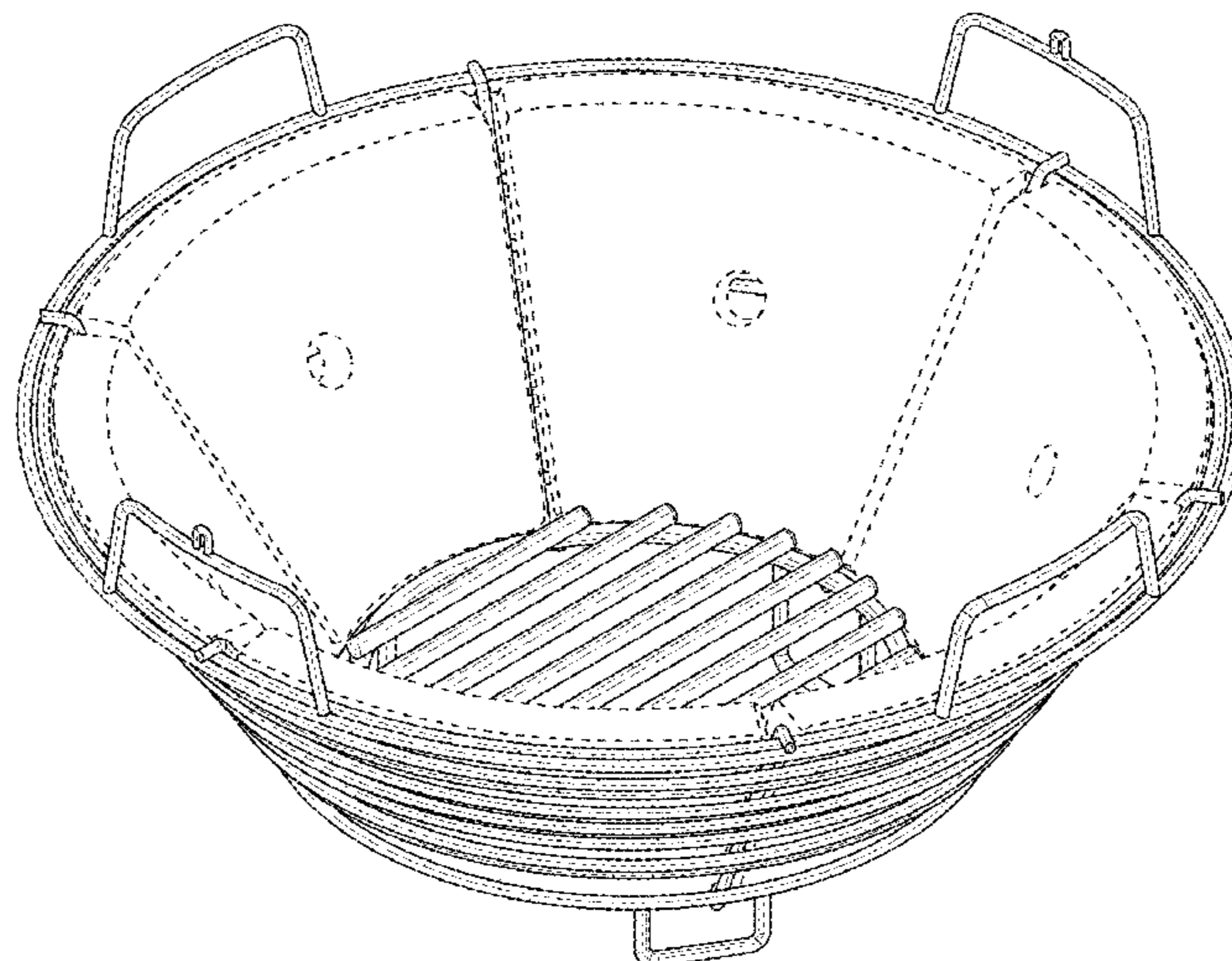
FIG. 1 is a front perspective view of the firebox basket for a grill or smoker;
FIG. 2 is a front view thereof;
FIG. 3 is a rear view thereof;
FIG. 4 is a left side view thereof;
FIG. 5 is a right side view thereof;
FIG. 6 is a top view thereof;
FIG. 7 is a bottom view thereof; and,
FIG. 8 is top perspective view thereof.
The dashed broken lines in the drawings depict environmental subject matter only and form no part of the claimed design.

(56) **References Cited**

U.S. PATENT DOCUMENTS

2,262,073 A * 11/1941 Virden F23M 5/00
126/146
D301,431 S * 6/1989 Landis D7/402

1 Claim, 8 Drawing Sheets



(56)

References Cited

U.S. PATENT DOCUMENTS

D734,094 S * 7/2015 Vogds D7/354
D777,516 S * 1/2017 Hunsaker D7/417
2009/0277339 A1 * 11/2009 Andrade A47J 37/047
99/449
2014/0224750 A1 * 8/2014 Vogds A47J 37/0786
211/13.1
2014/0319027 A1 * 10/2014 Nunnery F24B 15/007
209/235
2017/0370593 A1 * 12/2017 Kohli F24B 1/003
2018/0180286 A1 * 6/2018 Brennan A47J 37/0763
2020/0281404 A1 * 9/2020 Benson A47J 37/0704

OTHER PUBLICATIONS

YNNI Kick Ash Basket, Jan. 7, 2020, <https://www.amazon.co.uk/YNNI-KAMADO-Charcoal-Removable-TQKAB2120/dp/B089427SLV> (Year: 2020).*

Mydracas Lump Charcoal Fire Basket, Jun. 25, 2019, <https://www.amazon.co.uk/Mydracas-Stainless-Charcoal-Divider-Baskets/dp/B07THJG18S> (Year: 2019).*

Only Fire Stainless Steel Charcoal Ash Basket, Apr. 2, 2018, <https://www.amazon.co.uk/onlyfire-Universal-Stainless-Charcoal-Louisiana/dp/B07C9XJ28J> (Year: 2018).*

Grilljob Lump Charcoal Fire Basket, Jun. 17, 2021, <https://www.amazon.co.uk/GRILLJOB-Charcoal-Stainless-Compatible-Accessories/dp/B097D3MPPZ> (Year: 2021).*

Onlyfire Fire Grate Upgrade, Jul. 9, 2020, <https://www.amazon.co.uk/Onlyfire-stainless-charcoal-Upgrade-Starter/dp/B08CN8WY3C> (Year: 2020).*

* cited by examiner

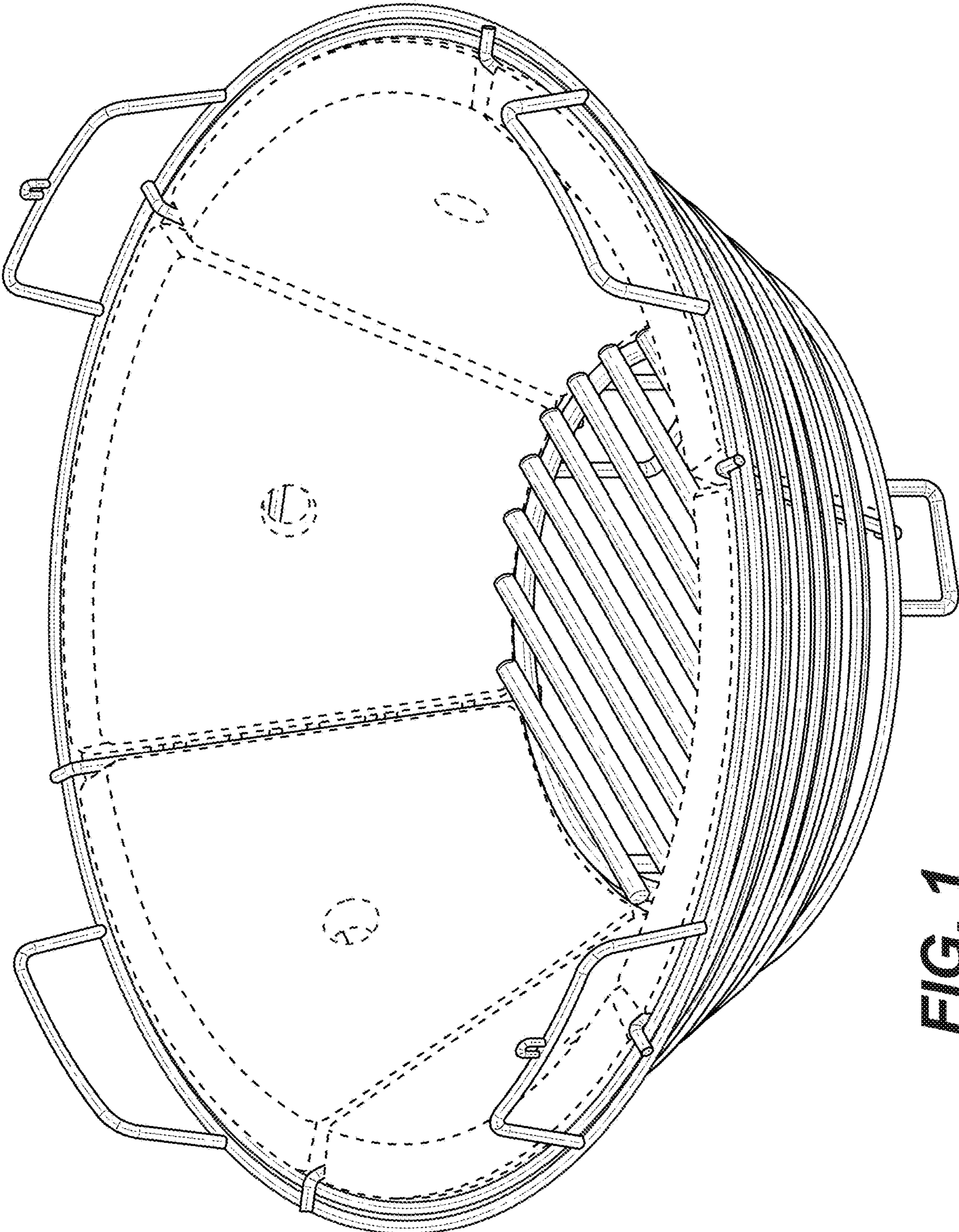


FIG. 1

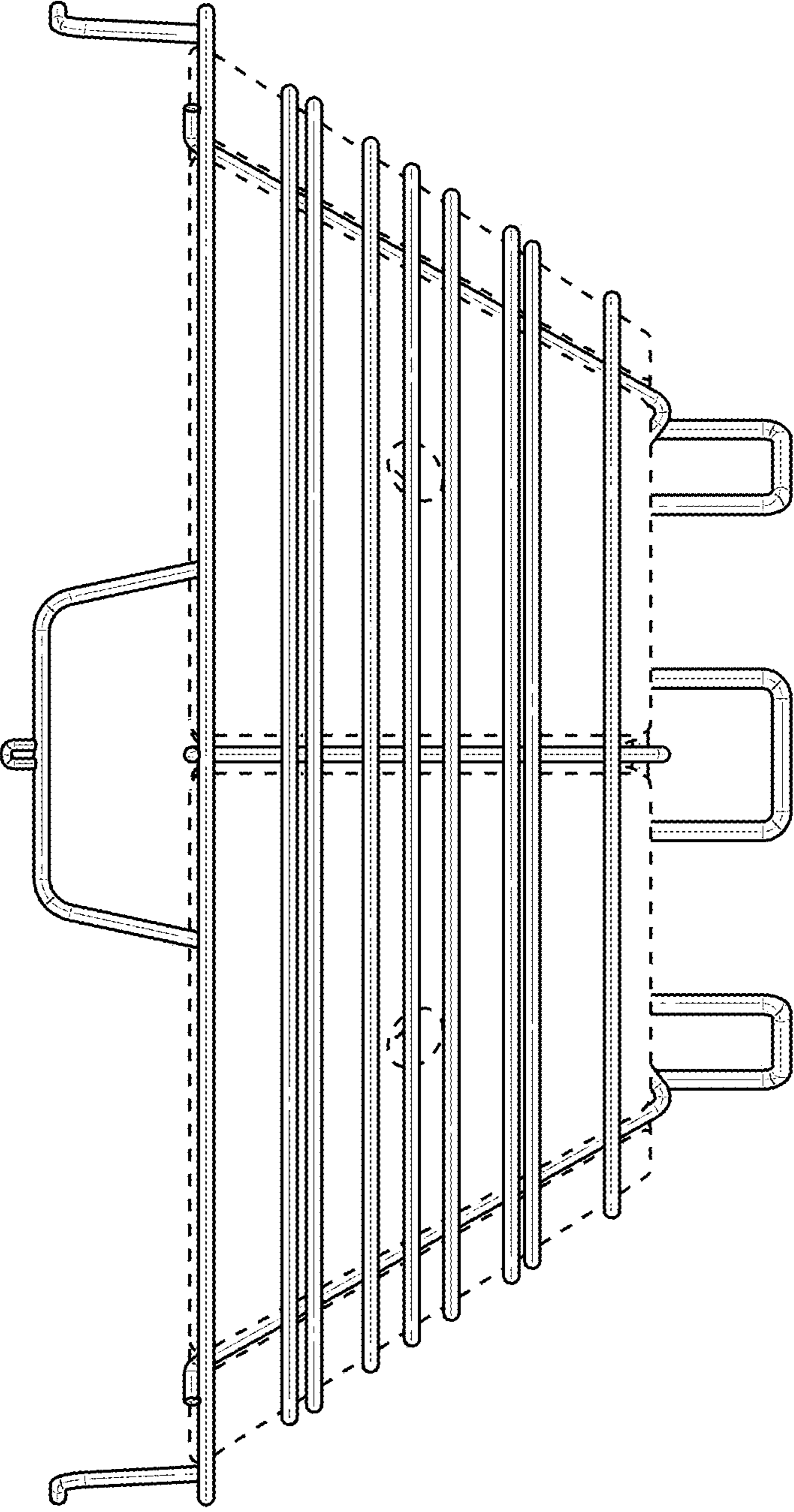


FIG. 2

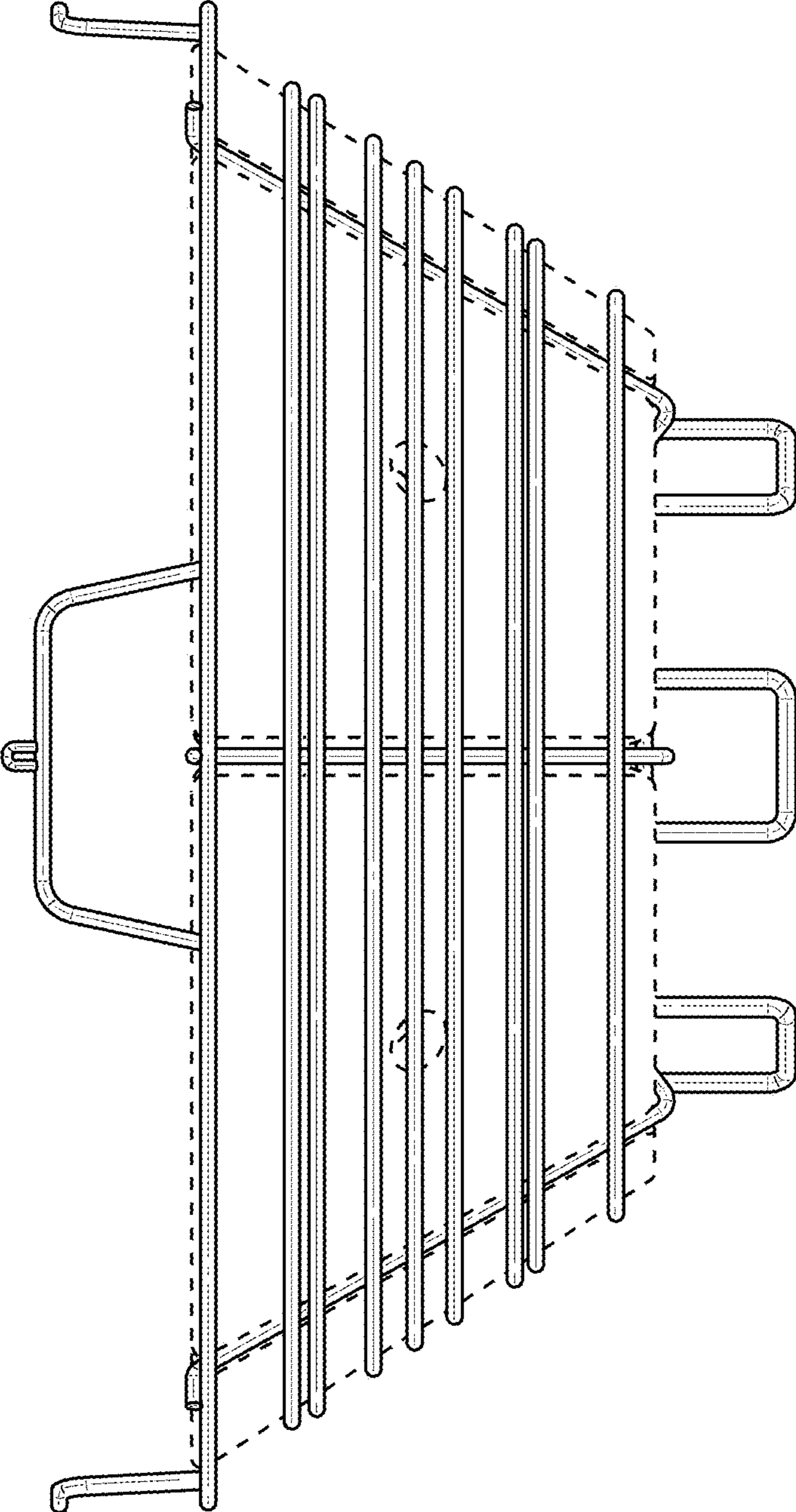


FIG. 3

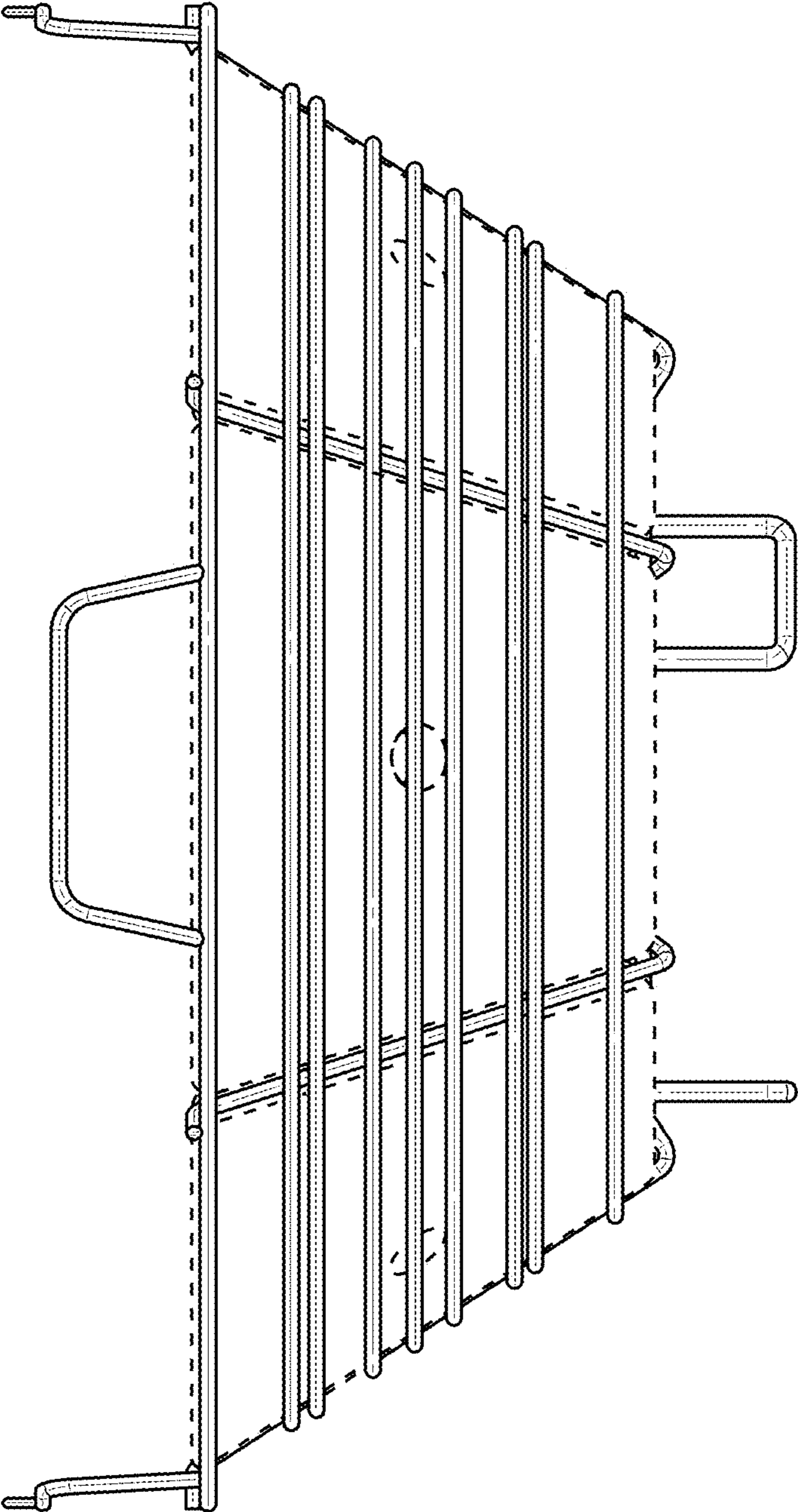


FIG. 4

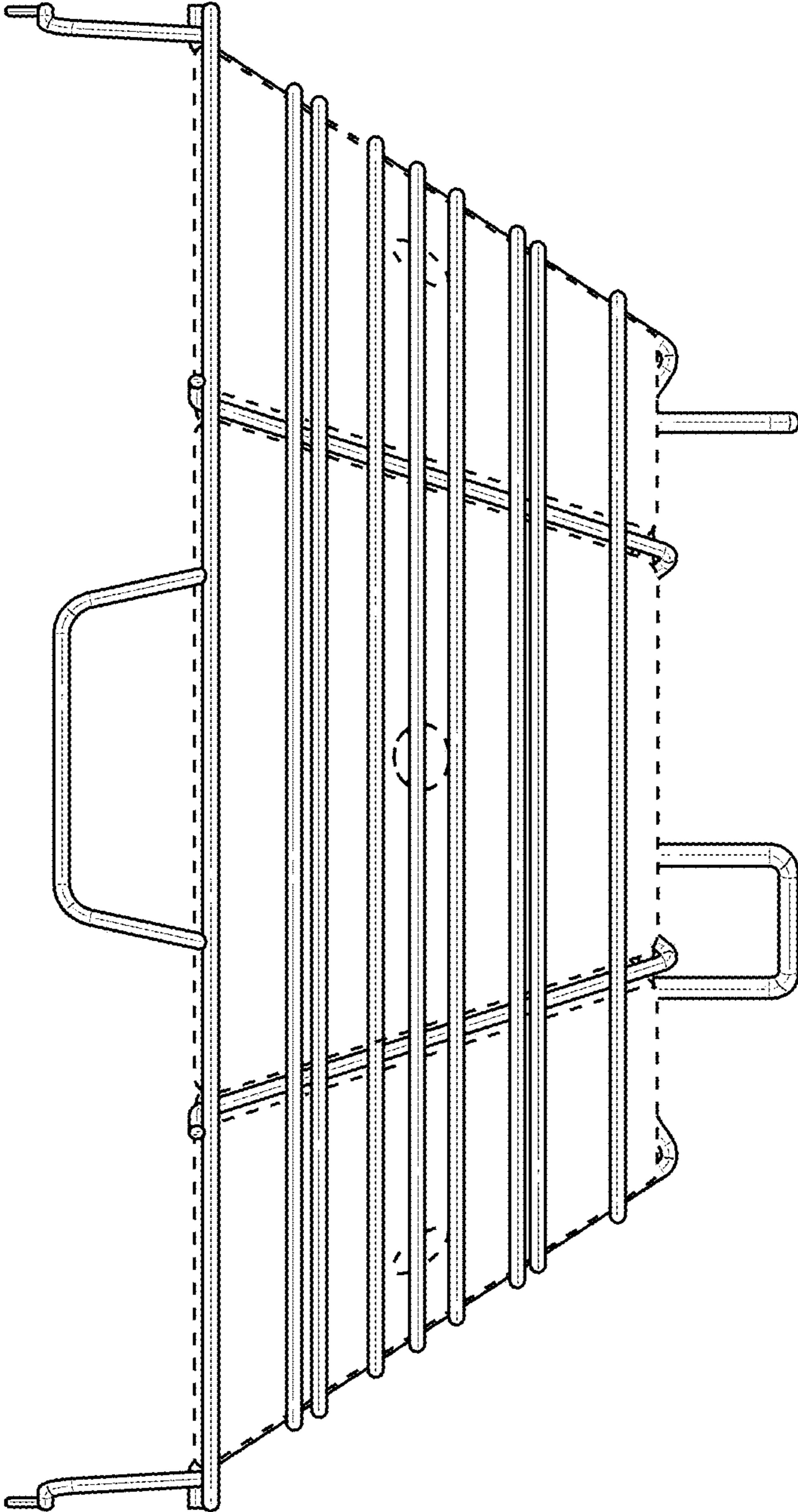


FIG. 5

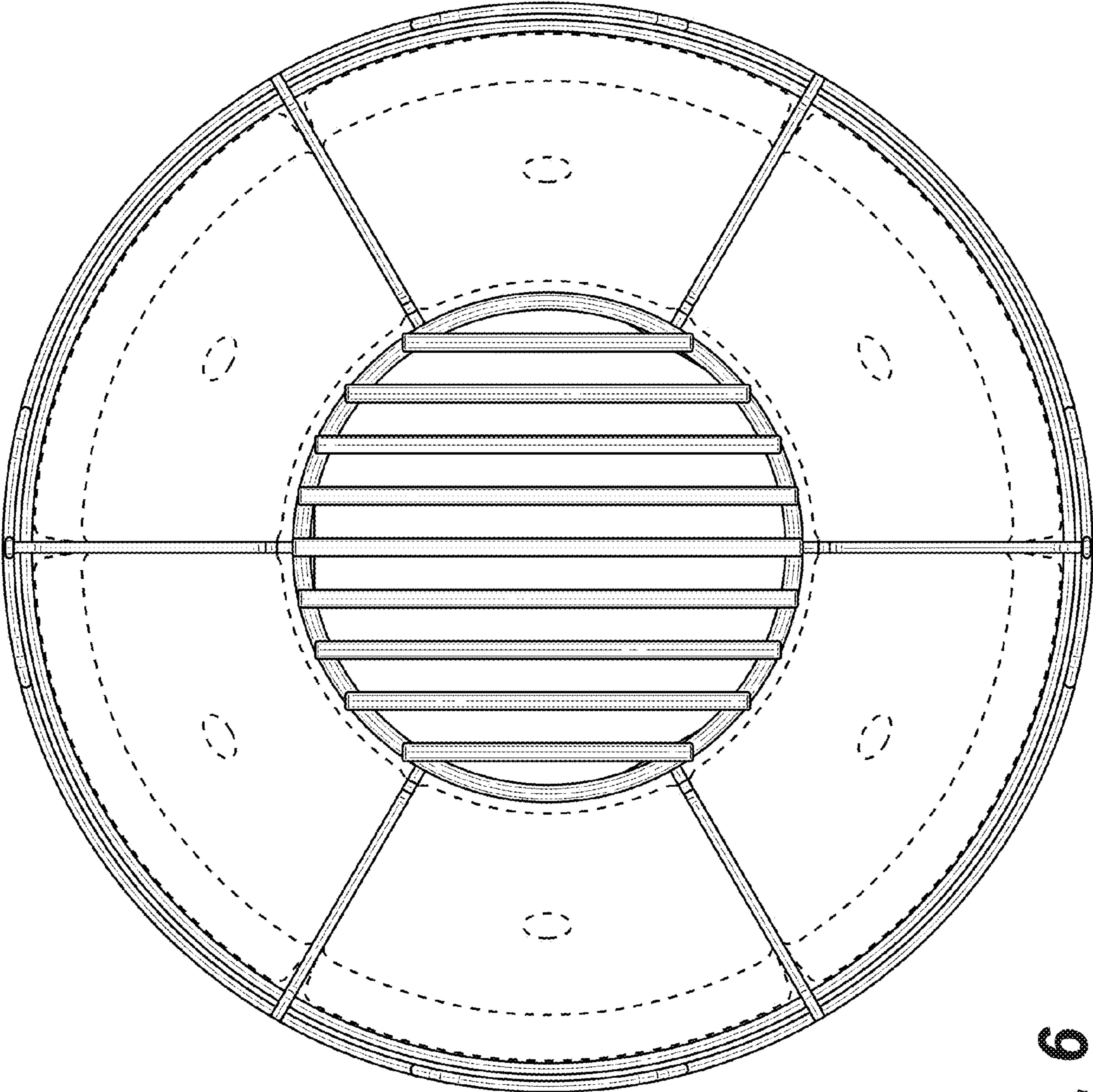


FIG. 6

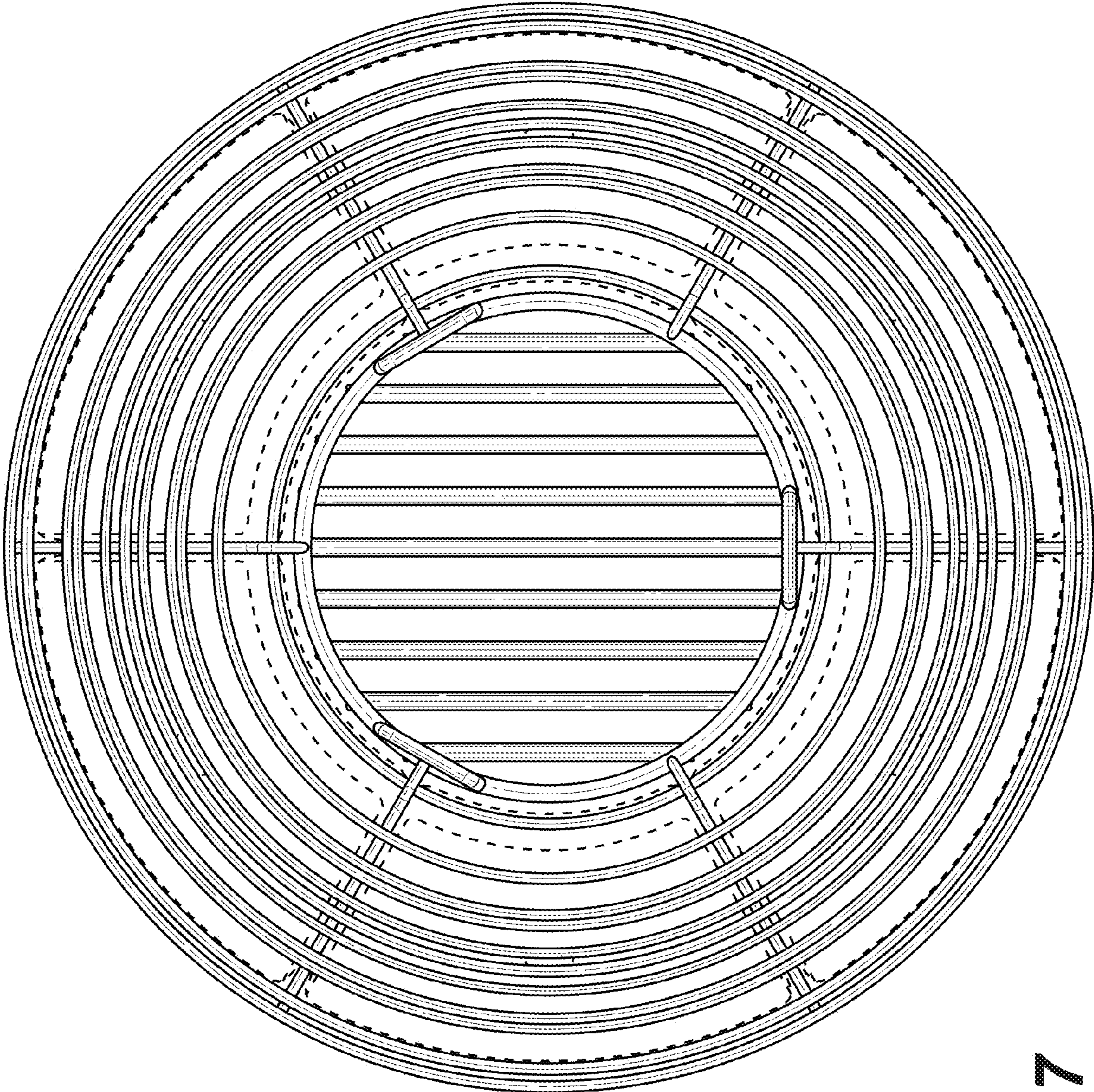


FIG. 7

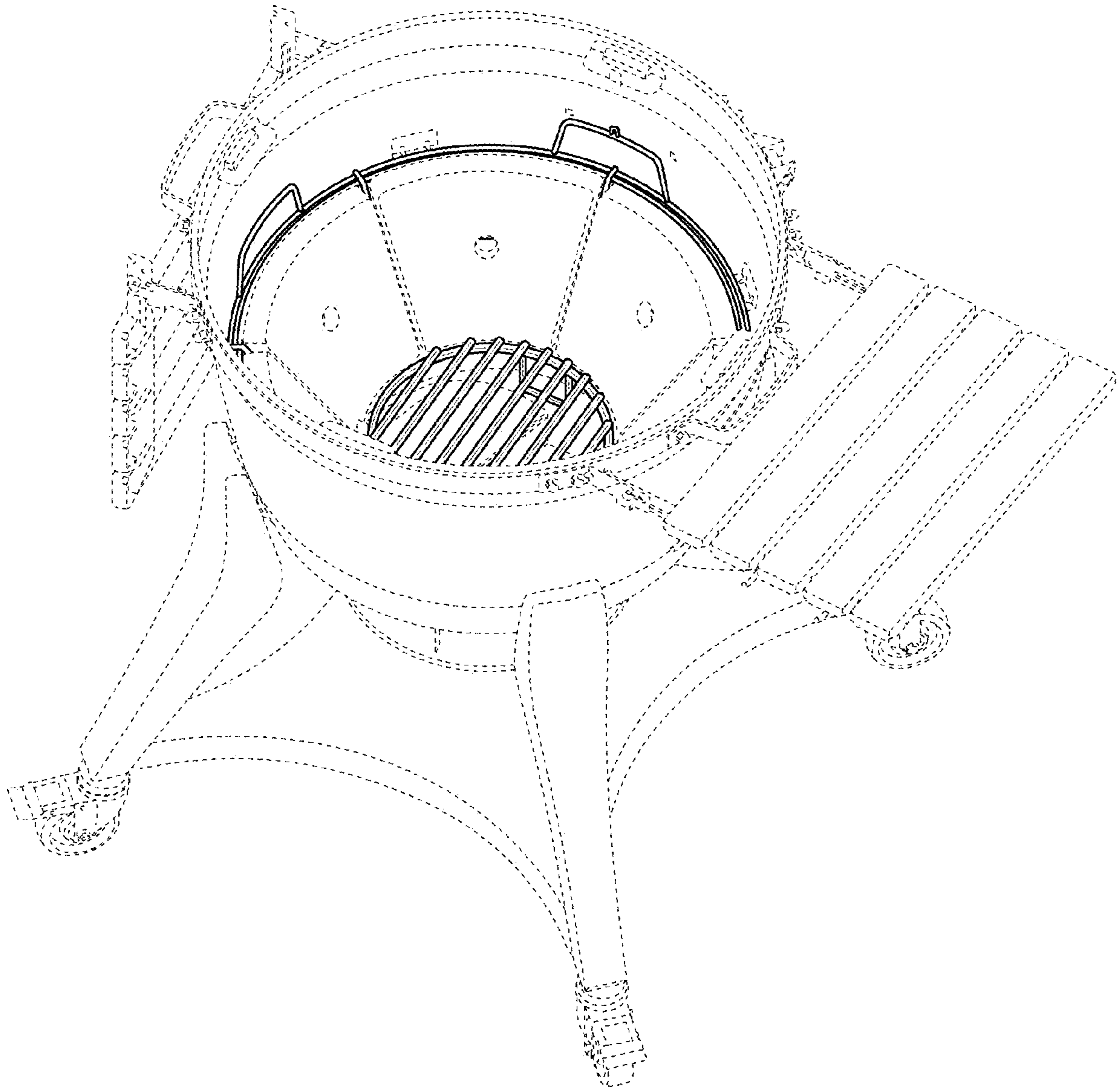


FIG. 8