



US00D987368S

(12) **United States Design Patent** (10) **Patent No.:** **US D987,368 S**  
**Dsouza et al.** (45) **Date of Patent:** **\*\* May 30, 2023**

(54) **BAR GUN**  
(71) Applicant: **Lancer Corporation**, San Antonio, TX (US)  
(72) Inventors: **John Prakash Dsouza**, San Antonio, TX (US); **Gary Van Deursen**, Naples, FL (US)  
(73) Assignee: **Lancer Corporation**, San Antonio, TX (US)

D274,031 S \* 5/1984 de Man ..... B67D 1/08 D7/398  
4,497,421 A \* 2/1985 Schilling ..... B67D 1/0084 D7/395  
4,986,449 A 1/1991 Valiyee et al.  
5,042,692 A \* 8/1991 Valiyee ..... B67D 1/0084 285/305  
D326,375 S 5/1992 Manley et al.  
7,028,864 B2 4/2006 McCann et al.  
7,658,006 B2 2/2010 Schroeder  
(Continued)

(\*\*) Term: **15 Years**

(21) Appl. No.: **29/812,309**

(22) Filed: **Oct. 20, 2021**

(51) **LOC (14) Cl.** ..... **07-06**

(52) **U.S. Cl.**  
USPC ..... **D7/398**

(58) **Field of Classification Search**  
USPC ..... D7/300, 306, 311, 313, 397, 398  
CPC .... A47J 31/007; A47J 31/0573; A47J 31/402;  
B67D 1/06; B67D 3/0009; B67D 3/00;  
B67D 1/04; B67D 1/1405; B67D 1/02;  
B67D 1/0079; B67D 1/0041; B67D 3/02;  
F16K 11/0712; F16K 21/04; F16K 31/60;  
F16K 31/607; F16K 7/16; F16K 7/20  
See application file for complete search history.

(56) **References Cited**

**U.S. PATENT DOCUMENTS**

D194,343 S \* 1/1963 Zilk ..... B67D 1/0872 D7/398  
D203,151 S \* 12/1965 Easley ..... B67D 1/0084 D7/398  
3,749,527 A \* 7/1973 Slagle ..... F04B 43/06 91/402  
4,162,028 A \* 7/1979 Reichenberger ..... B67D 1/0046 222/144.5  
4,433,795 A 2/1984 Maiefski

**OTHER PUBLICATIONS**

“Taprite—Rattler Bar Beverage Dispensers”, posted at taprite.com, dated Jan. 17, 2021, <<https://www.taprite.com/rattler-bar-beverage-dispensers>>.

(Continued)

*Primary Examiner* — Joseph Kukella  
*Assistant Examiner* — Darryl J Dardenne

(57) **CLAIM**

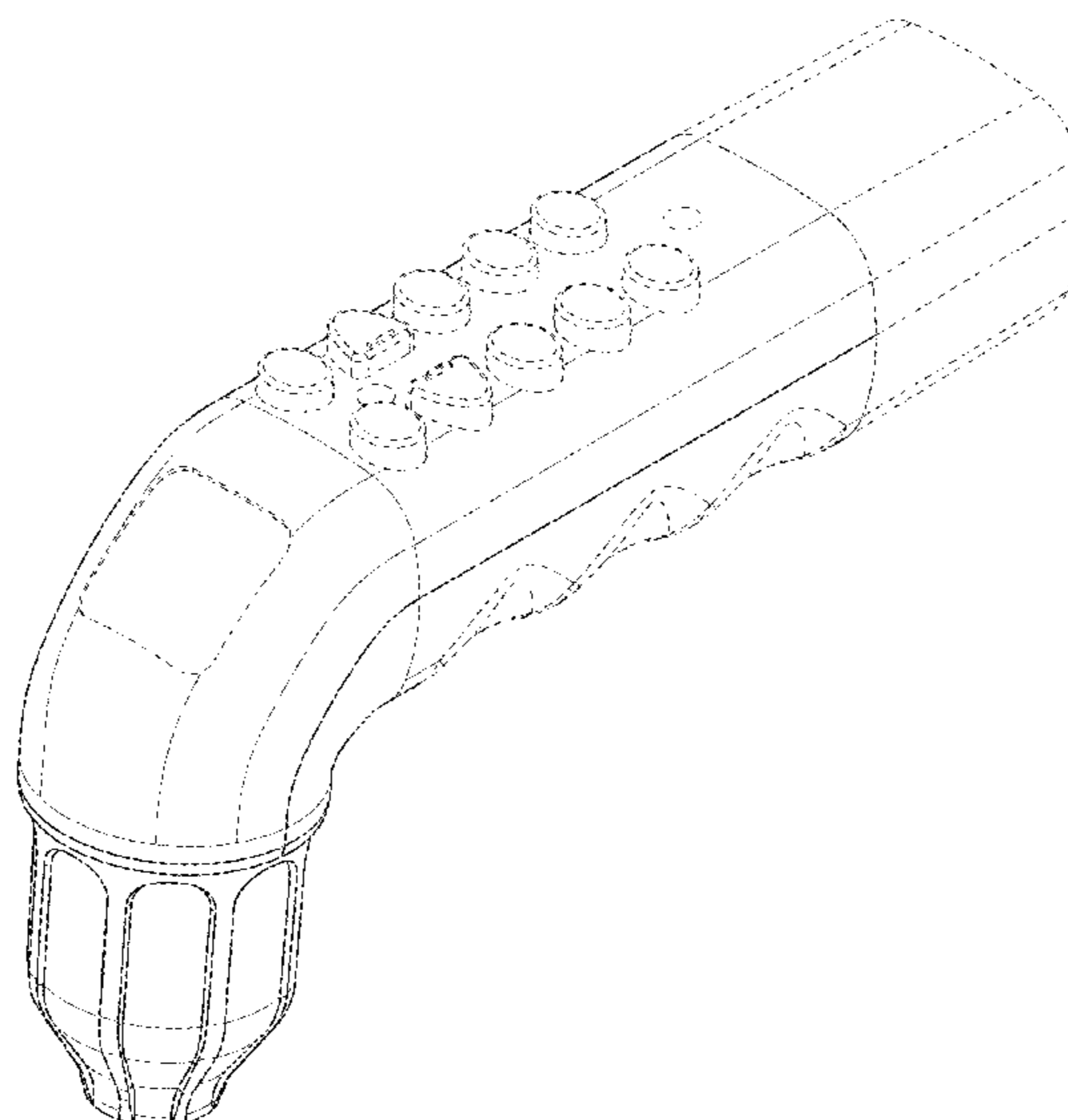
The ornamental design for a bar gun, as shown and described.

**DESCRIPTION**

FIG. 1 is top front perspective view of a bar gun according to the design;  
FIG. 2 is a bottom rear perspective view of the bar gun;  
FIG. 3 is a front view of the bar gun;  
FIG. 4 is a rear view of the bar gun;  
FIG. 5 is a right side view of the bar gun;  
FIG. 6 is a left side view of the bar gun;  
FIG. 7 is a top view of the bar gun; and,  
FIG. 8 is a bottom view of the bar gun.

The dash-dash broken lines in the drawing views depict portions of the bar gun that form no part of the claimed design. The dot-dot-dash broken lines in the drawing views define a boundary of the claimed design and form no part thereof.

**1 Claim, 6 Drawing Sheets**



(56)

References Cited

U.S. PATENT DOCUMENTS

D626,373 S 11/2010 Valiyee et al.  
 D626,374 S 11/2010 Valiyee et al.  
 D628,014 S 11/2010 Martindale  
 7,931,382 B2 4/2011 Hecht  
 D638,659 S 5/2011 Martindale et al.  
 8,109,413 B2 2/2012 Schroeder et al.  
 8,162,182 B2 4/2012 Martindale  
 D666,689 S 9/2012 Martindale et al.  
 D666,869 S 9/2012 Martindale et al.  
 8,459,505 B2 6/2013 Martindale et al.  
 D697,753 S 1/2014 Brown  
 8,814,003 B2 8/2014 Santy et al.  
 D717,590 S 11/2014 Bond  
 D717,591 S 11/2014 Bond  
 D717,592 S 11/2014 Bond  
 D717,593 S 11/2014 Bond  
 D758,795 S 6/2016 Bond et al.  
 D786,616 S 5/2017 Brown  
 10,035,694 B1 7/2018 Broen et al.  
 D827,366 S 9/2018 Broen et al.  
 D842,647 S \* 3/2019 Broen ..... B67D 1/0086  
 D20/43  
 11,358,853 B2 \* 6/2022 Wells ..... B67D 1/08  
 D957,187 S \* 7/2022 Behe ..... F04B 43/06  
 D7/397

2010/0320231 A1\* 12/2010 Martindale ..... B67D 1/0872  
 222/113  
 2011/0073617 A1 3/2011 Martindale et al.  
 2012/0325855 A1 12/2012 Brown et al.  
 2013/0119089 A1\* 5/2013 Tuyls ..... B67D 1/0084  
 165/104.11  
 2016/0010763 A1\* 1/2016 Hecht ..... B67D 1/06  
 248/75  
 2016/0060091 A1 3/2016 Hecht et al.  
 2016/0176696 A1\* 6/2016 Hecht ..... B67D 1/0086  
 222/144.5  
 2017/0129760 A1\* 5/2017 Aneson ..... B08B 9/00  
 2021/0147208 A1\* 5/2021 Yanes ..... B67D 1/0086  
 2021/0380389 A1\* 12/2021 Martin ..... B67D 1/0888

OTHER PUBLICATIONS

“Bargun Sales Sheet”, downloaded from [www.wunderbar.com/products/details/bargun](http://www.wunderbar.com/products/details/bargun) on Jan. 17, 2021, <[https://www.wunderbar.com/assets/upload/product\\_specs/Wunder-Bar\\_BarGunSalesSheet\\_041118.pdf](https://www.wunderbar.com/assets/upload/product_specs/Wunder-Bar_BarGunSalesSheet_041118.pdf)>.  
 8 button bar gun. Posted at [edco-distributing.myshopify.com](https://edco-distributing.myshopify.com), no posting date [online], [site visited in U.S. Appl. No. 29/761,868 on Mar. 9, 2022]. Available from Internet, <URL: <https://edco-distributing.myshopify.com/products/bar-gun-851-8-button-black-5-non-carb-soda-water>> (Year: 2022).

\* cited by examiner

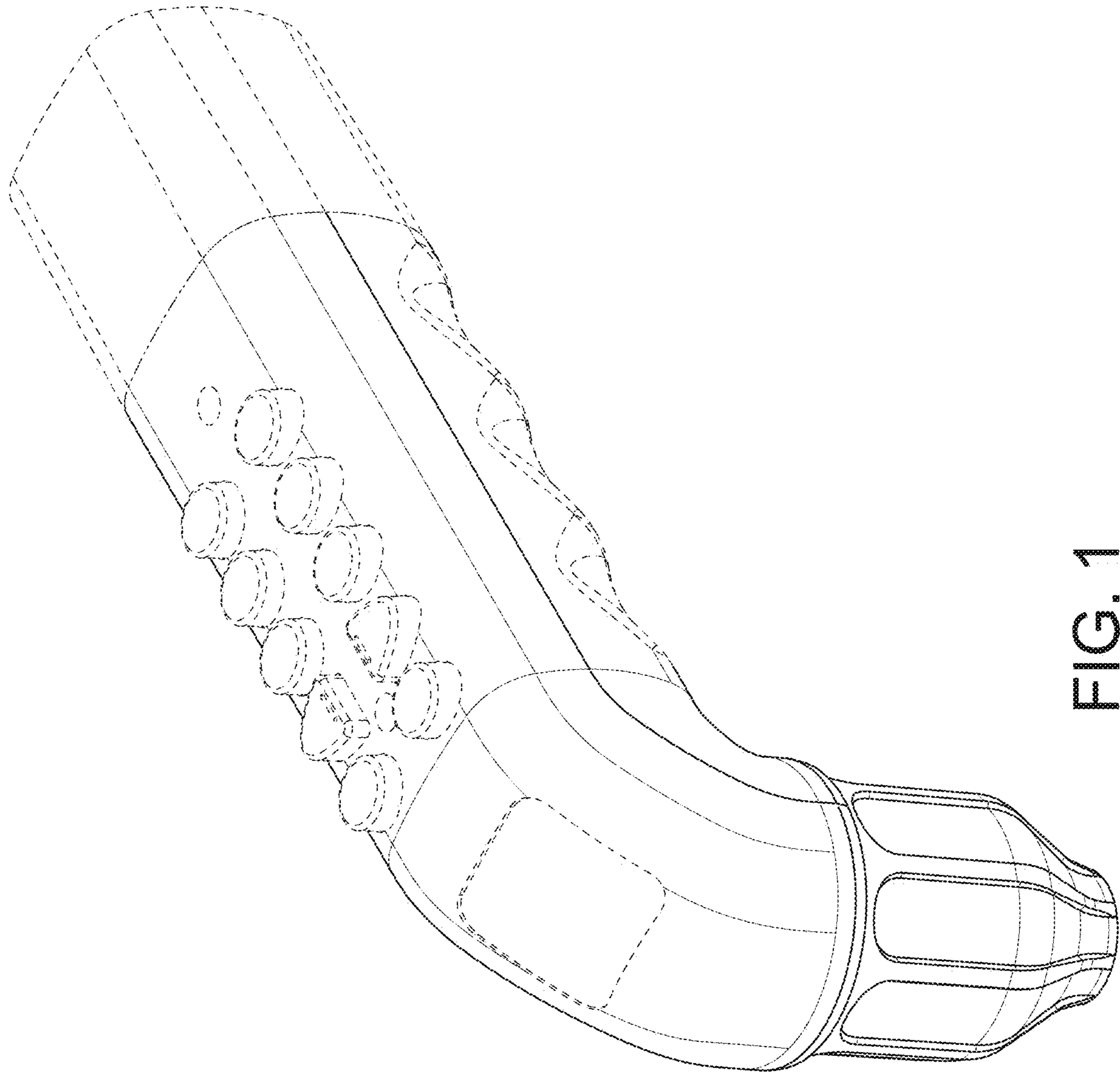


FIG. 1

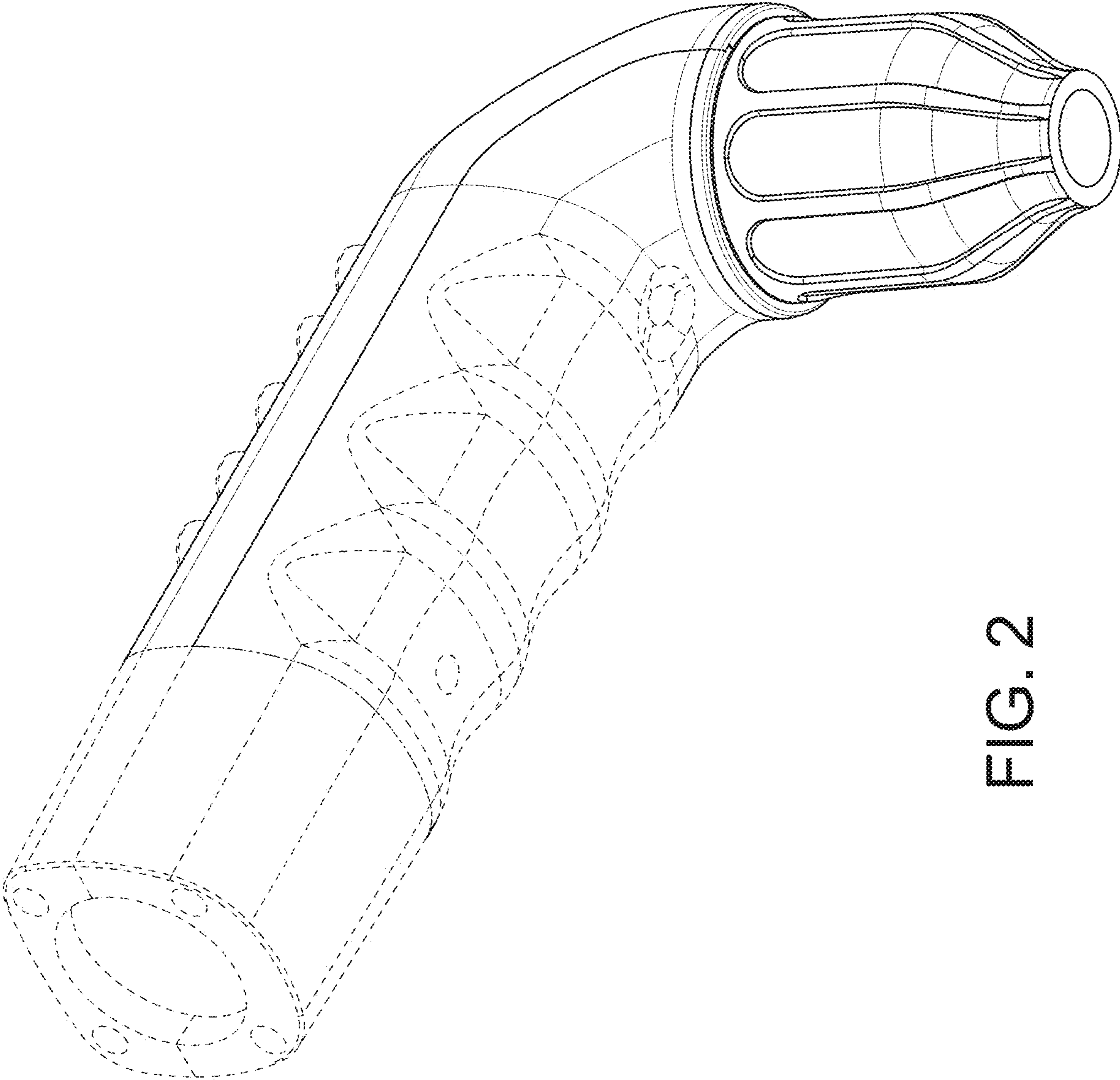


FIG. 2

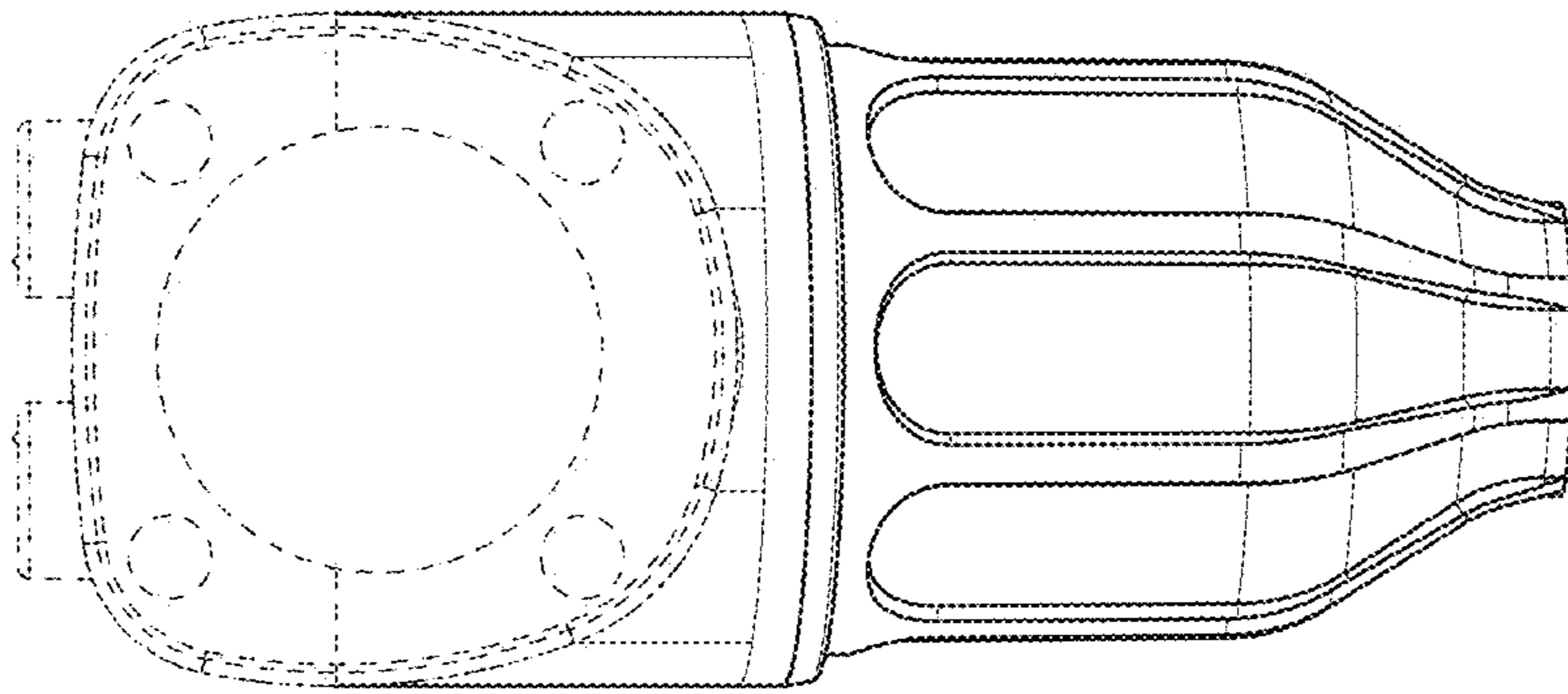


FIG. 3

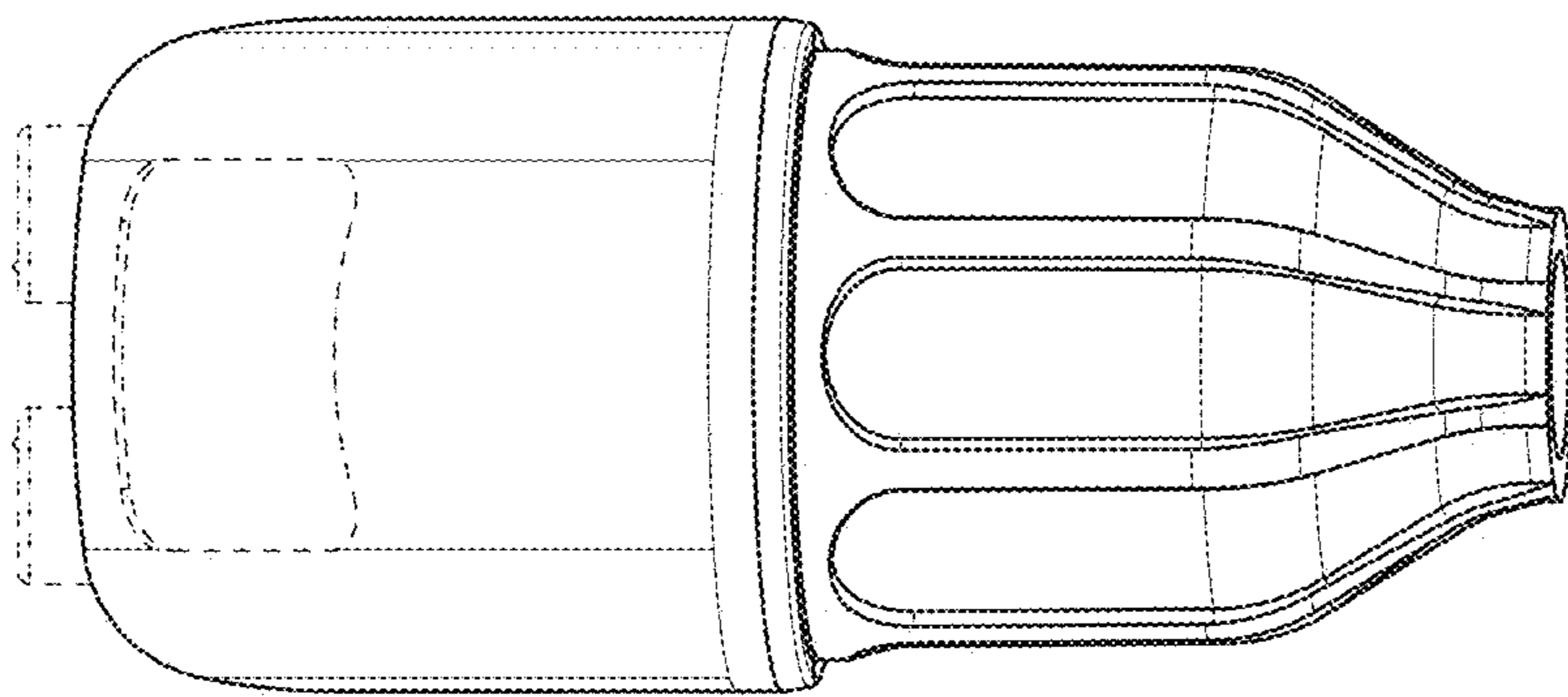


FIG. 4



FIG. 5

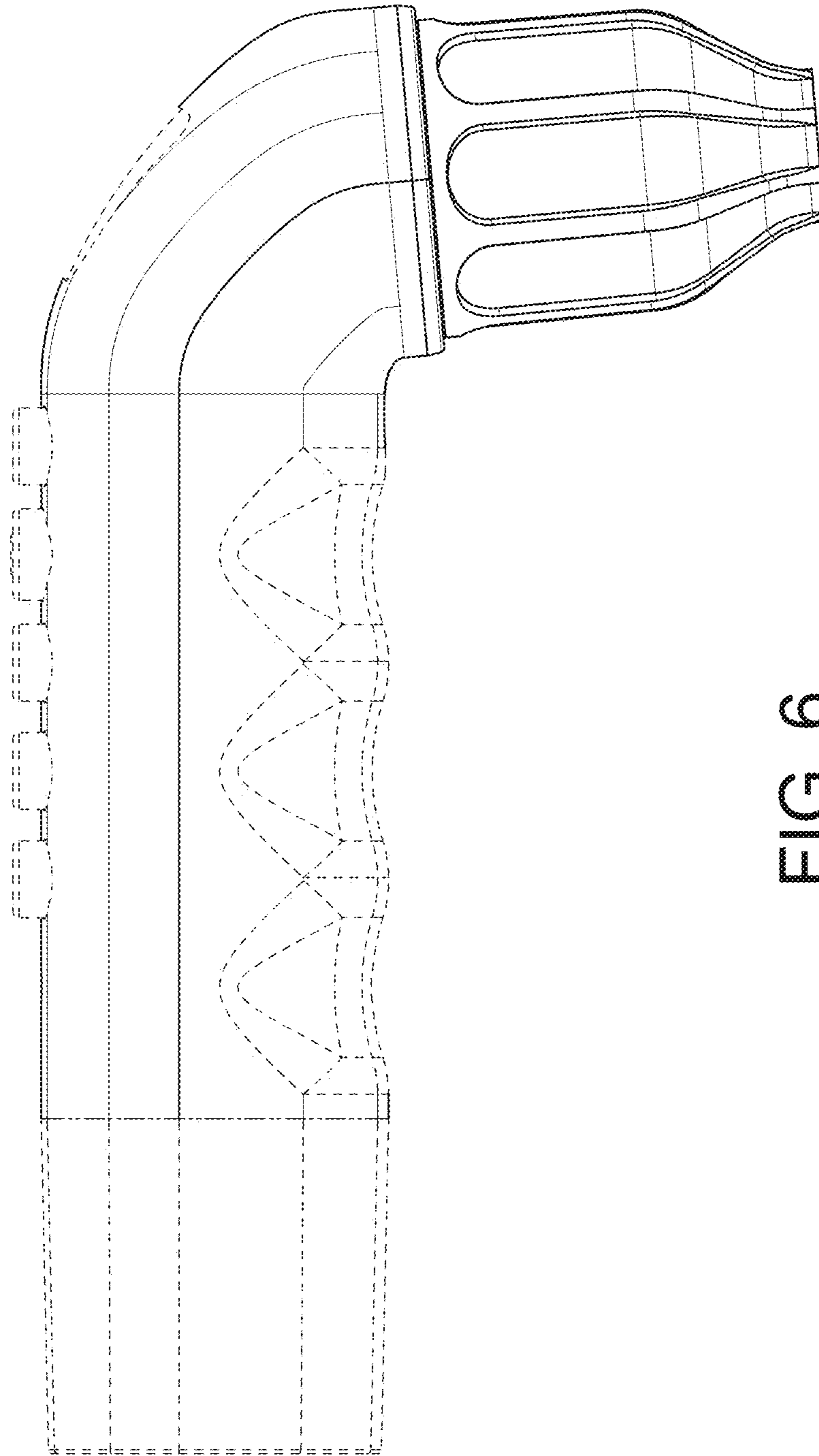


FIG. 6

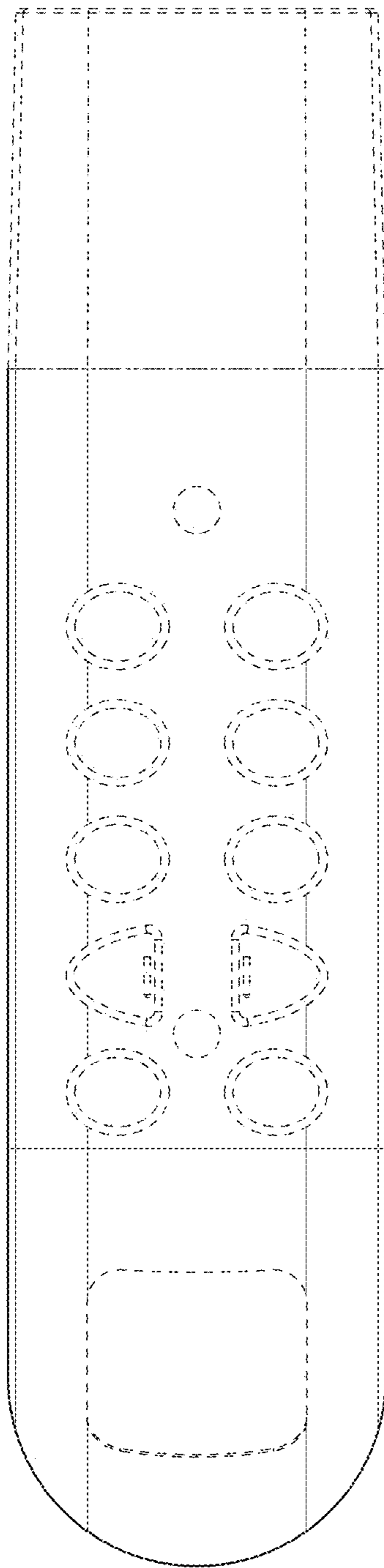


FIG. 7

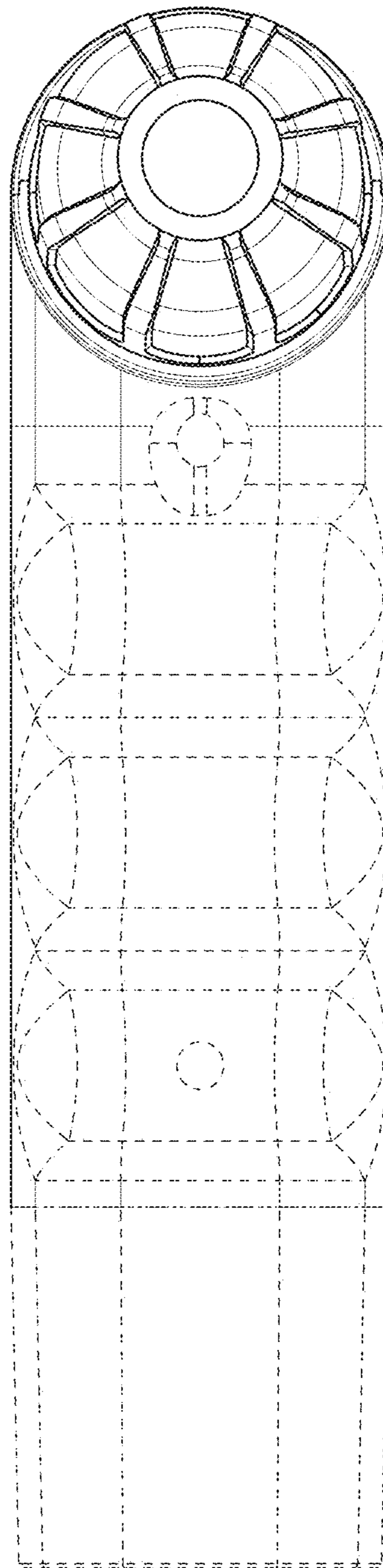


FIG. 8