



US00D987364S

(12) **United States Design Patent** (10) **Patent No.:** **US D987,364 S**  
**Kettavong et al.** (45) **Date of Patent:** **\*\* May 30, 2023**

(54) **FOOD PROCESSOR CONTAINER**

D625,143 S 10/2010 Moore et al.  
D625,144 S 10/2010 Moore et al.  
D650,229 S 12/2011 Hensel et al.

(71) Applicant: **Vita-Mix Management Corporation**,  
Olmsted Township, OH (US)

(Continued)

(72) Inventors: **Phonesacksith G. Kettavong**, Olmsted  
Township, OH (US); **Fred Mehlman**,  
Olmsted Township, OH (US); **Rebecca  
Hammond**, Cleveland, OH (US)

FOREIGN PATENT DOCUMENTS

CN 202636714 U 1/2013  
CN 108125581 A 6/2018  
FR 2997835 B1 11/2017

(73) Assignee: **Vita-Mix Management Corporation**,  
Olmsted Township, OH (US)

OTHER PUBLICATIONS

(\*\*) Term: **15 Years**

Cuisinart DFP 14BCNY 14 Cup Food Processor. Date First Avail-  
able on Amazon.com Jan. 21, 2016. [https://www.amazon.com/dp/  
B01AXM4WV2/ref](https://www.amazon.com/dp/B01AXM4WV2/ref) (Year: 2016).\*

(21) Appl. No.: **29/732,515**

*Primary Examiner* — Ricky Pham

(22) Filed: **Apr. 24, 2020**

(74) *Attorney, Agent, or Firm* — McDonald Hopkins LLC

(51) **LOC (14) Cl.** ..... **31-00**

(52) **U.S. Cl.**

USPC ..... **D7/413**; D7/376; D7/384; D7/412

(58) **Field of Classification Search**

USPC ..... D7/372, 376–386, 412–413, 602, 629,  
D7/665–666, 669, 679, 693–694

CPC .... A21C 1/02; A21C 1/04; A23N 1/00; A23N

1/02; A47J 43/04; A47J 43/25; A47J

43/27; A47J 43/042; A47J 43/044; A47J

43/046; A47J 43/075; A47J 43/0722;

A47J 43/0727; B01F 3/00; B01F 3/0807;

B01F 3/0853; B01F 13/0059; B01F

13/0064; B02C 1/08; B02C 2/04; B02C

4/42; B02C 4/142; B02C 4/143; B02C

4/423; B02C 13/1835; B28C 5/10; B28C

5/12; B28C 5/14; B28C 5/16

See application file for complete search history.

(56) **References Cited**

U.S. PATENT DOCUMENTS

6,510,784 B1 1/2003 Fevre et al.  
6,986,475 B2 1/2006 Wanat  
7,069,839 B2 7/2006 Kernan  
D587,064 S \* 2/2009 Mark ..... D7/384  
D621,656 S \* 8/2010 Ulanski ..... D7/378

(57) **CLAIM**

The ornamental design for a food processor container, as  
shown and described.

**DESCRIPTION**

FIG. 1 is a perspective view of a food processor container  
according to an embodiment;

FIG. 2 is a left elevation side view of the food processor  
container of FIG. 1;

FIG. 3 is a front elevation side view of the food processor  
container of FIG. 1;

FIG. 4 is a right elevation side view of the food processor  
container of FIG. 1;

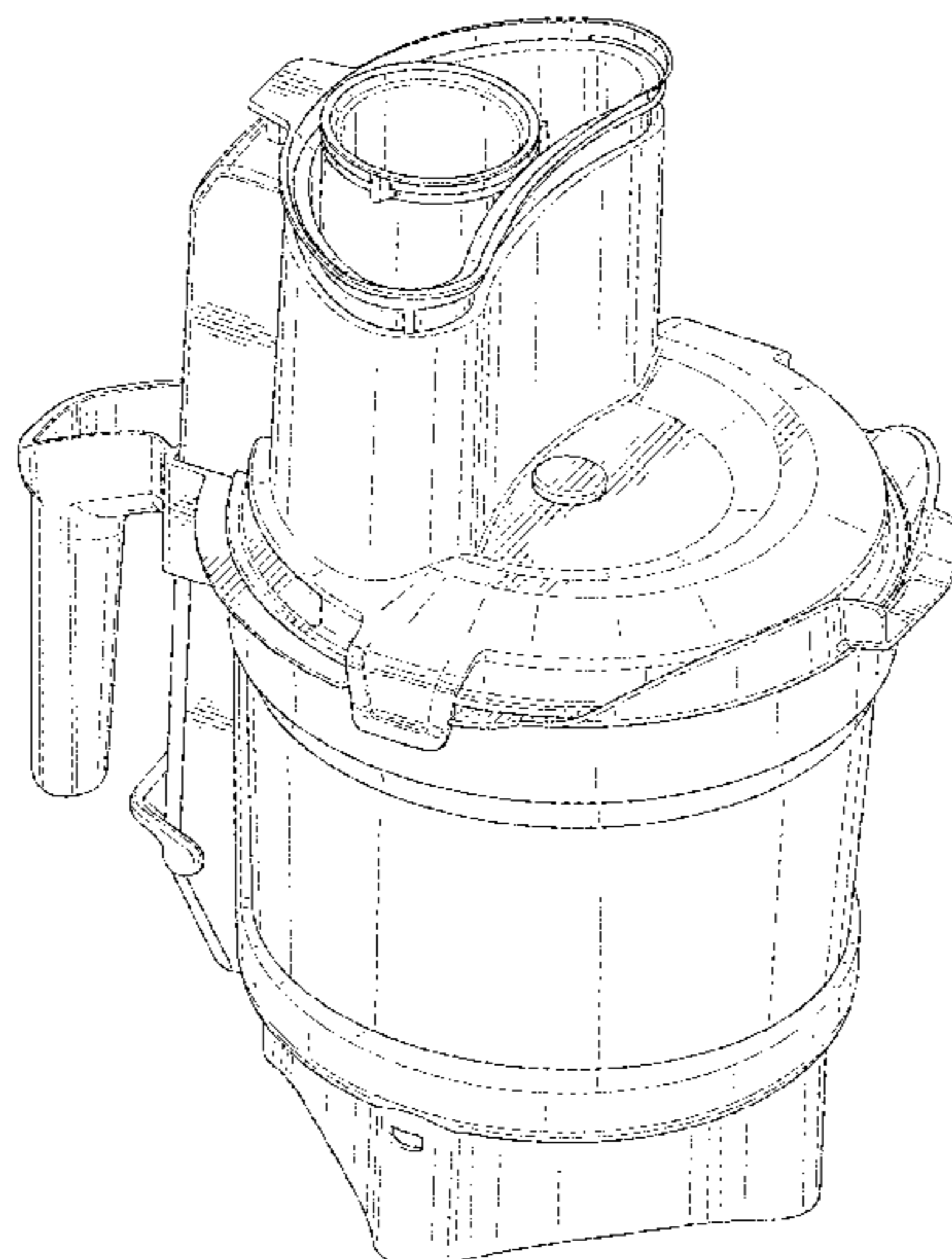
FIG. 5 is a rear elevation side view of the food processor  
container of FIG. 1;

FIG. 6 is a top plan view of the food processor container of  
FIG. 1; and,

FIG. 7 is a bottom view of the food processor container of  
FIG. 1.

The broken lines shown in the drawings are for illustrative  
purposes only and form no part of the claimed design.

**1 Claim, 7 Drawing Sheets**



(56)

**References Cited**

U.S. PATENT DOCUMENTS

D662,359	S *	6/2012	Boozer .....	D7/378
9,429,197	B2	8/2016	Choi et al.	
9,480,365	B2	11/2016	Allen	
D812,963	S *	3/2018	Smith .....	D7/378
D863,873	S *	10/2019	Kettavong .....	D7/378
D876,166	S *	2/2020	Smith .....	D7/378
D933,417	S *	10/2021	Bourgeois .....	D7/384
2006/0201341	A1	9/2006	Kernan	
2017/0295999	A1	10/2017	Hensel et al.	
2018/0043564	A1	2/2018	Zakowski et al.	
2018/0078094	A1	3/2018	Haney et al.	

\* cited by examiner

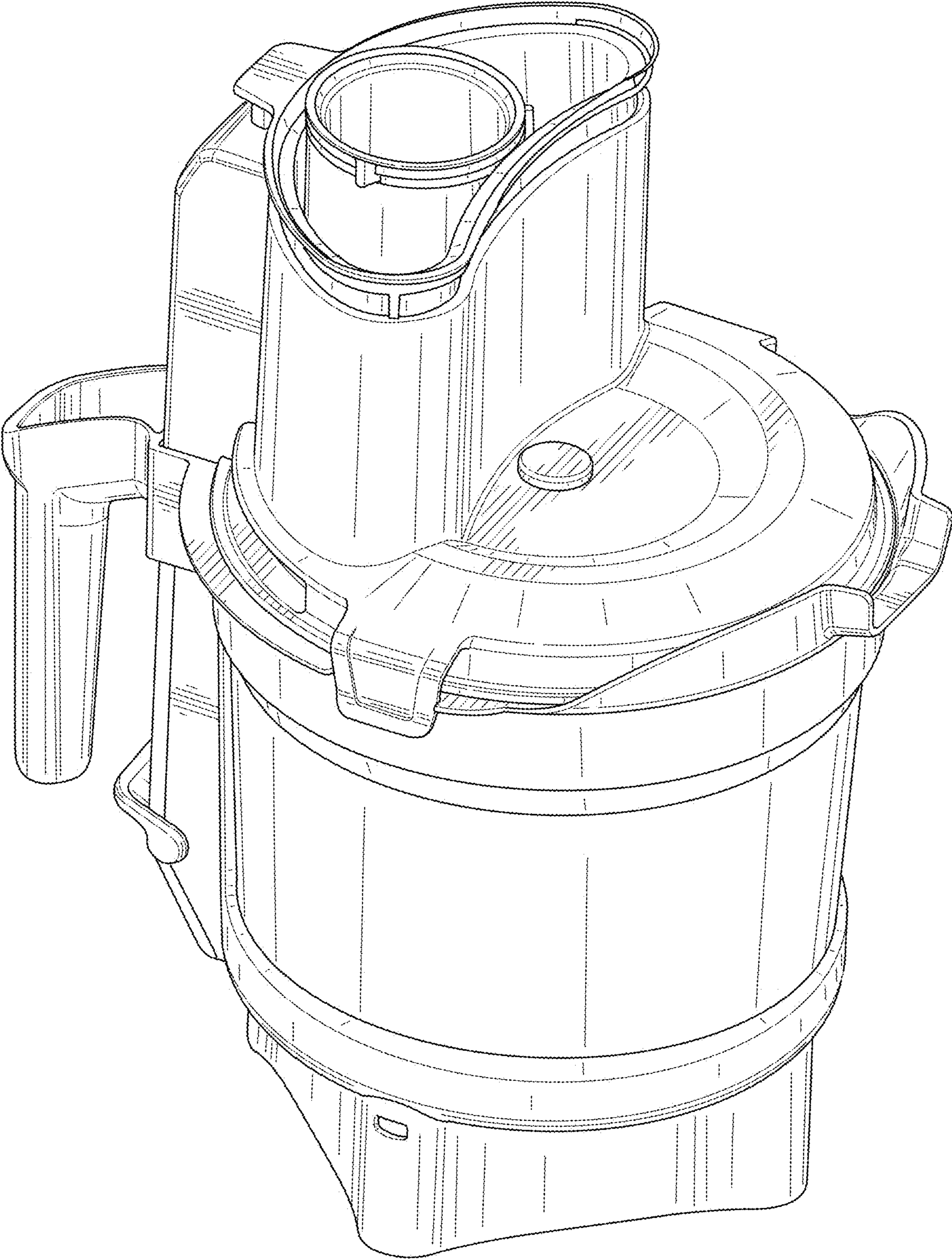


FIG. 1



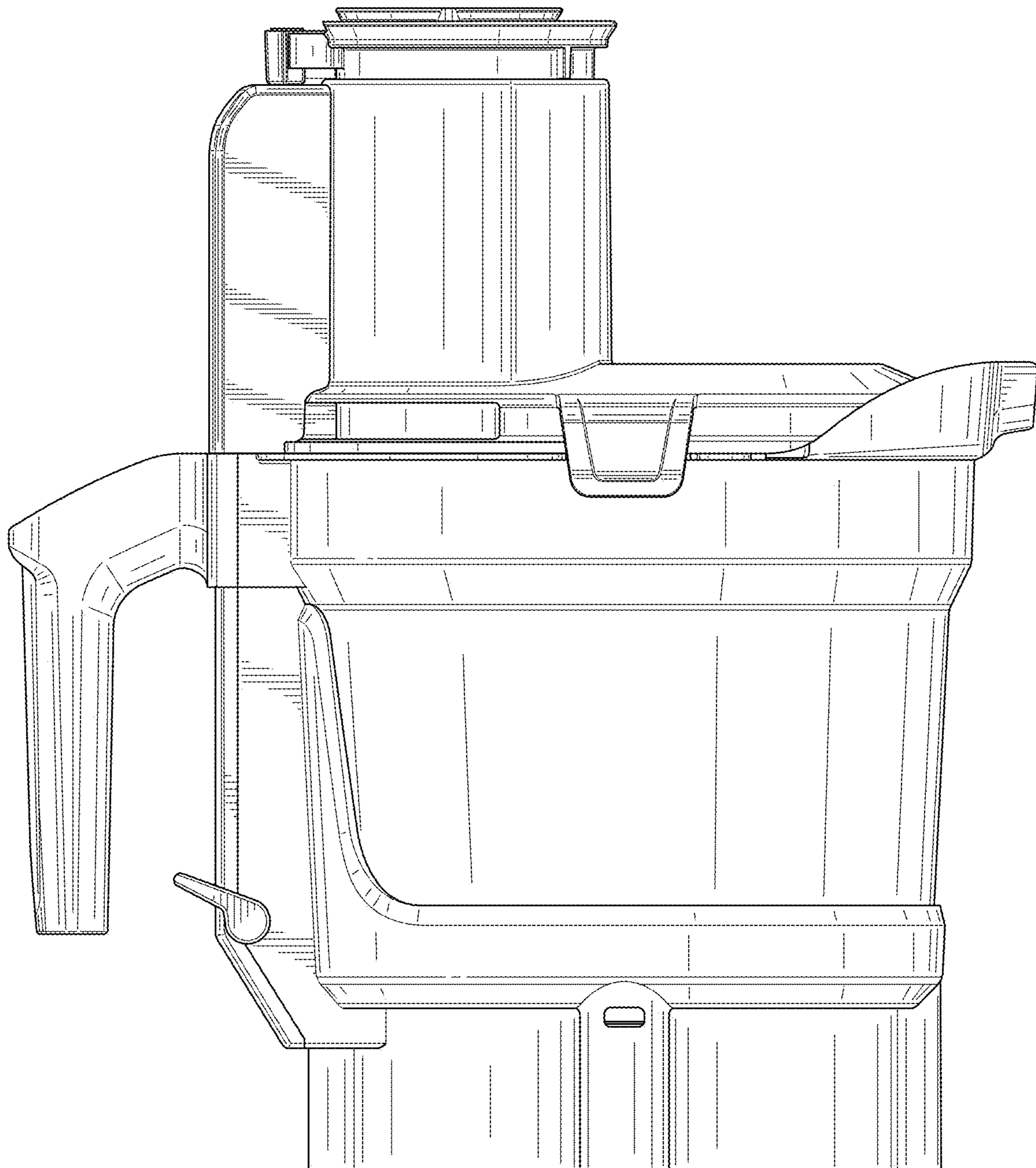


FIG. 2

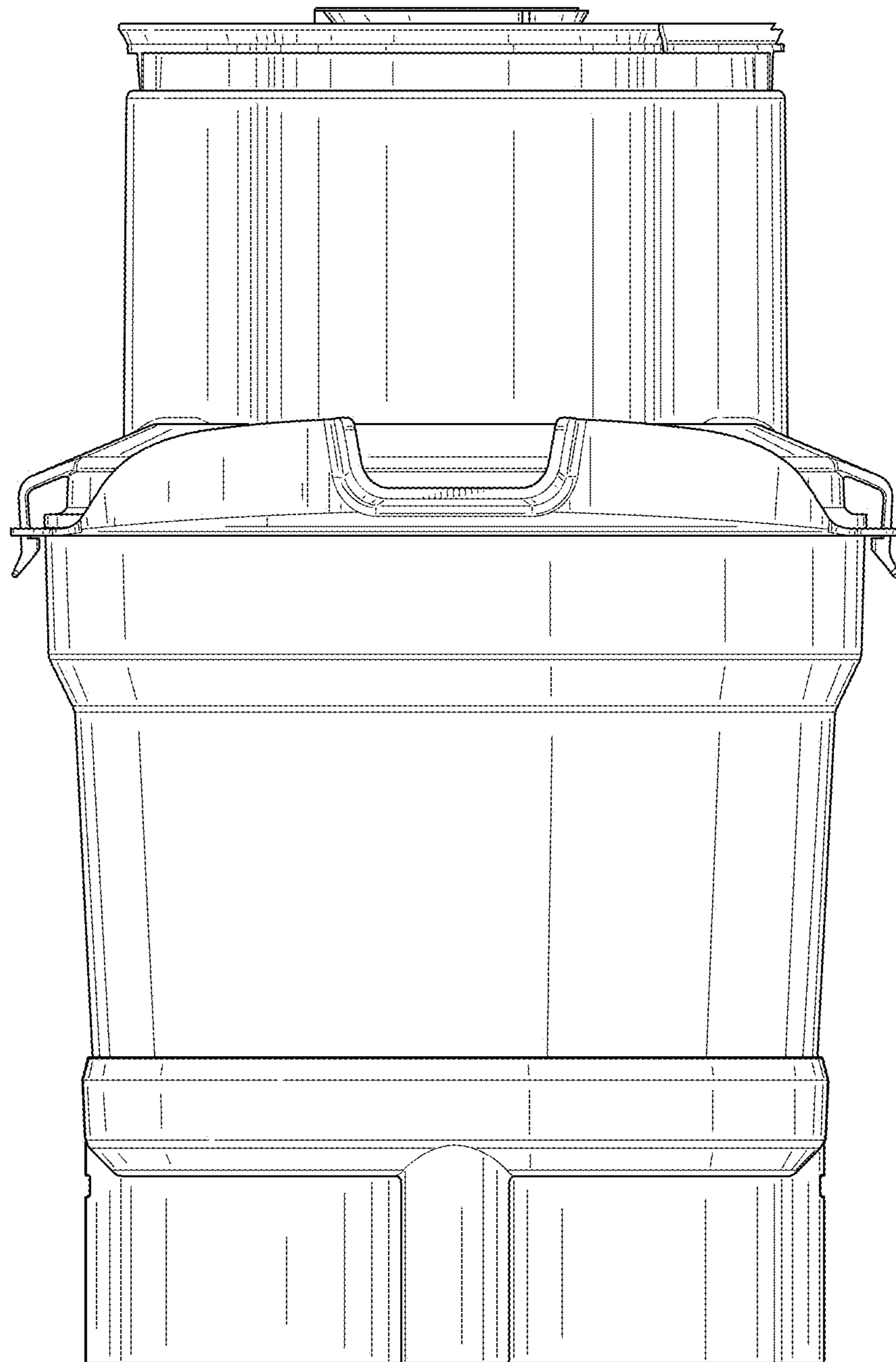


FIG. 3

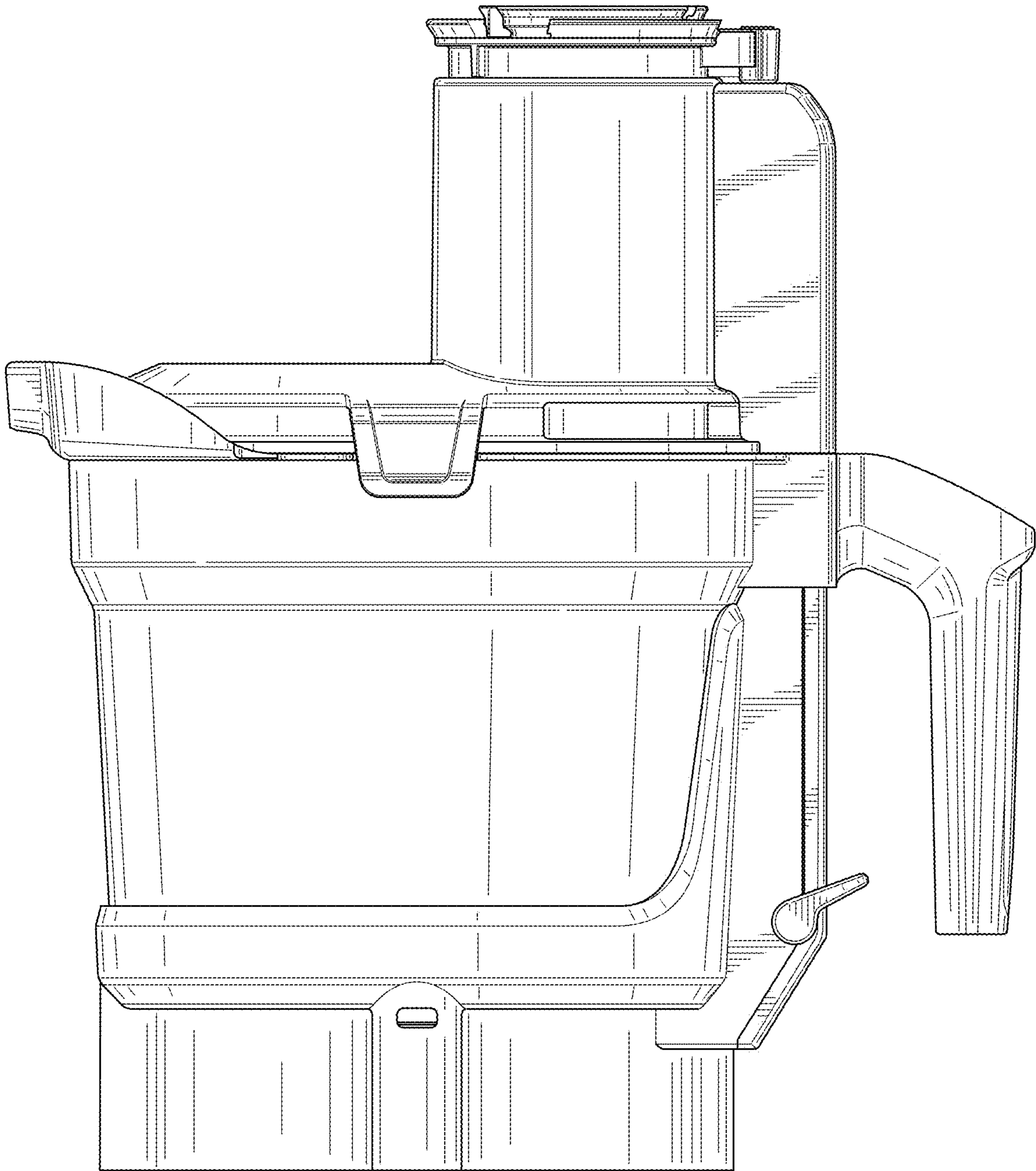


FIG. 4

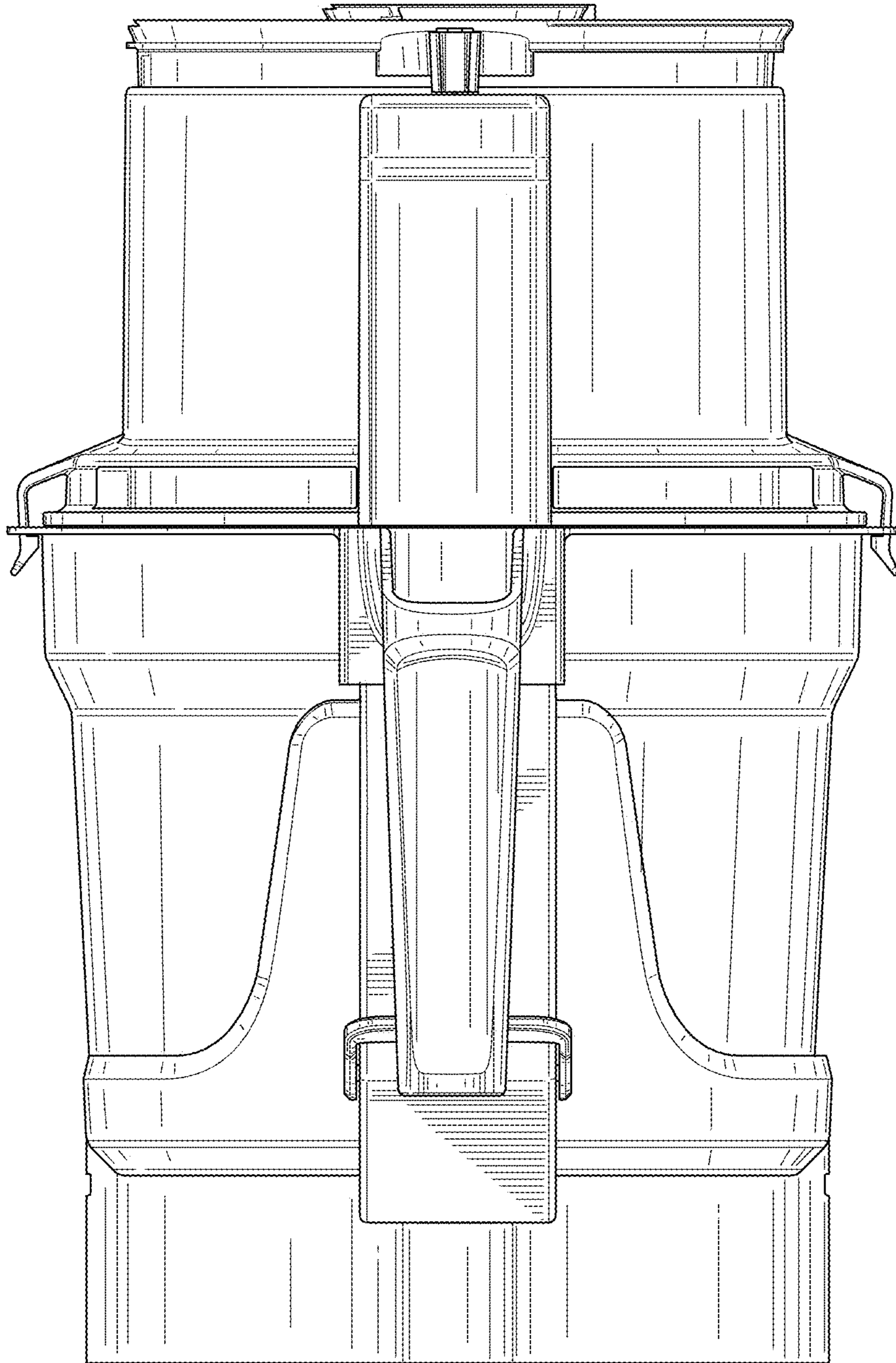


FIG. 5



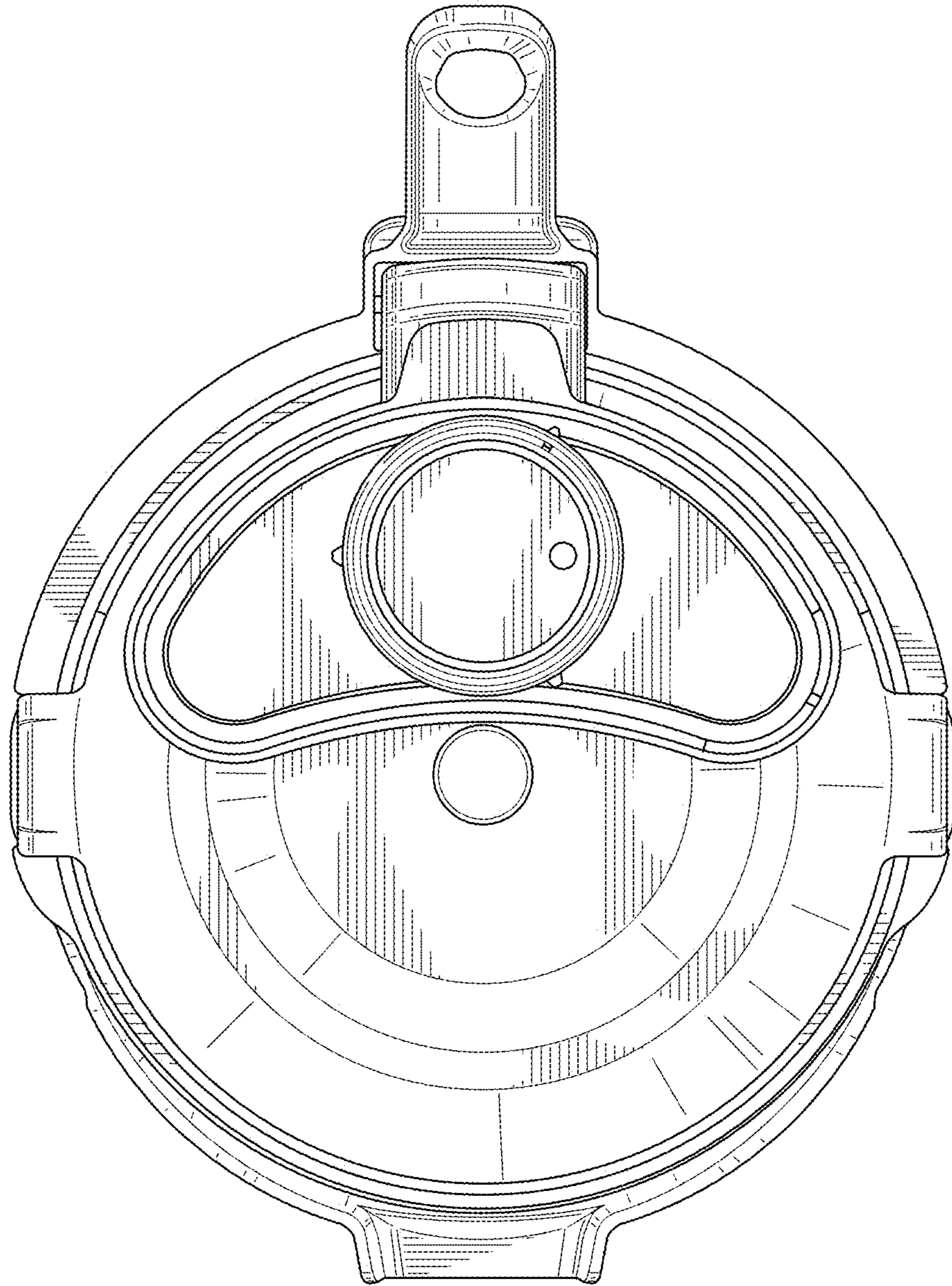


FIG. 6



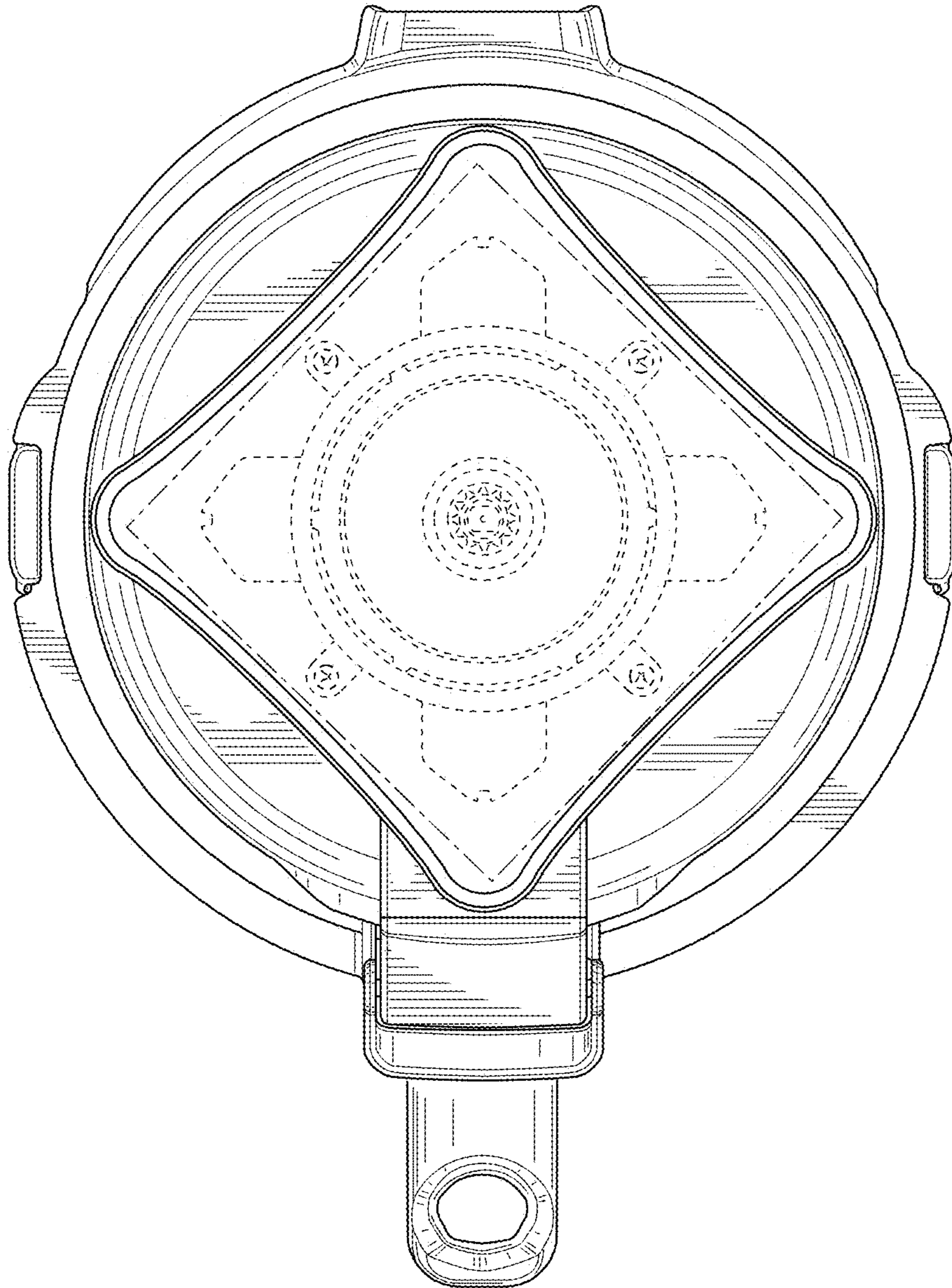


FIG. 7