



US00D987356S

(12) **United States Design Patent**
Dong

(10) **Patent No.:** **US D987,356 S**
(45) **Date of Patent:** **** May 30, 2023**

(54) **AIR FRYER**

(71) Applicant: **Ningbo Borine Electric Appliance Co., Ltd.**, Ningbo (CN)

(72) Inventor: **Zhijun Dong**, Ningbo (CN)

(73) Assignee: **NINGBO BORINE ELECTRIC APPLICANCE CO., LTD.**, Ningbo (CN)

(**) Term: **15 Years**

(21) Appl. No.: **29/794,798**

(22) Filed: **Jun. 15, 2021**

(30) **Foreign Application Priority Data**

Dec. 24, 2020 (CN) 202030799936.1

(51) **LOC (14) Cl.** **07-02**

(52) **U.S. Cl.**
USPC **D7/354**

(58) **Field of Classification Search**

USPC D7/323, 354-361
CPC A23L 1/01; A23L 1/0107; A23L 1/0114;
A47J 27/00; A47J 27/08; A47J 27/09;
A47J 27/092; A47J 36/025; A47J 36/06;
A47J 36/08; A47J 36/10; A47J 36/12;
A47J 36/18; A47J 36/20; A47J 36/22;
A47J 36/165; A47J 37/00; A47J 37/0641;
A47J 37/12; A47J 37/129; A47J 37/1204;
A47J 37/1209; A47J 37/1214; A47J
37/1219; A47J 37/1266; A47J 37/1285;
A47J 37/1295; G07F 17/0064; G07F
17/0078; G07F 17/0085; H05B 6/02;
H05B 6/06; H05B 6/12

See application file for complete search history.

(56) **References Cited**

U.S. PATENT DOCUMENTS

D839,040	S	*	1/2019	Seymour	D7/354
D841,388	S	*	2/2019	Zhang	D7/354
D875,460	S	*	2/2020	Chen	D7/354
D883,729	S	*	5/2020	Yang	D7/354
D891,849	S	*	8/2020	Yang	D7/354
D923,386	S	*	6/2021	Lin	D7/354
D933,415	S	*	10/2021	Yang	D7/354
D934,021	S	*	10/2021	Luo	D7/354
D938,218	S	*	12/2021	Dubeau	D7/354
D970,958	S	*	11/2022	Biegeleisen	D7/354
D970,959	S	*	11/2022	Biegeleisen	D7/354

OTHER PUBLICATIONS

Air Fryers Oven, Ganiza. Date First Available on Amazon.com Jul. 31, 2022. <https://www.amazon.com/dp/B0B18MBRHD/ref> (Year: 2022).*

* cited by examiner

Primary Examiner — Ricky Pham

(74) *Attorney, Agent, or Firm* — Wood, Phillips, Katz, Clark & Mortimer

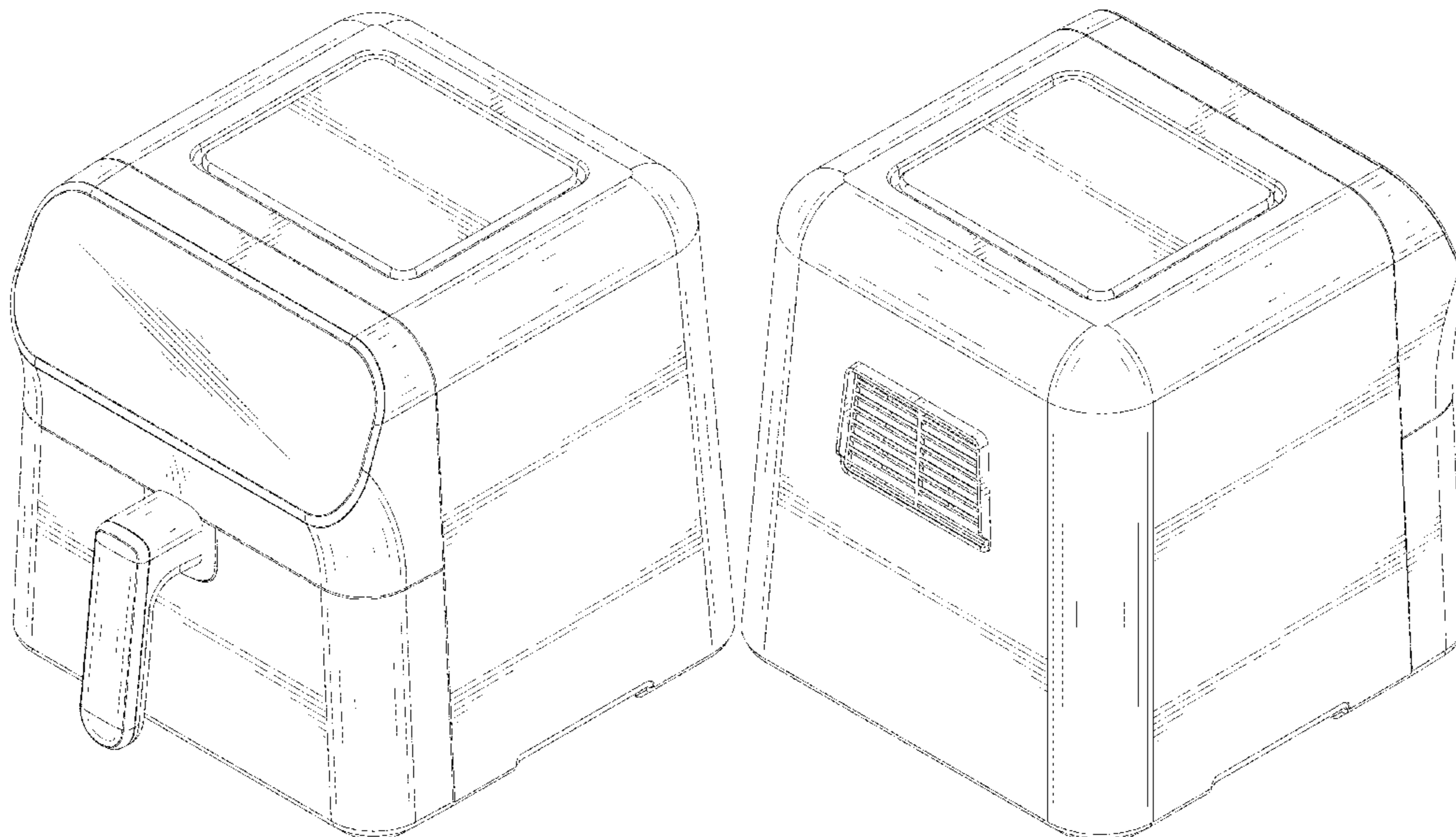
(57) **CLAIM**

The design for an air fryer, substantially, as shown and described.

DESCRIPTION

FIG. 1 is a front elevational view of the air fryer.
FIG. 2 is a rear elevational view of the air fryer.
FIG. 3 is a right-side elevational view of the air fryer.
FIG. 4 is a left-side elevational view of the air fryer.
FIG. 5 is a top plan view of the air fryer.
FIG. 6 is a front perspective view of the air fryer; and,
FIG. 7 is a rear perspective view of the air fryer.
The broken lines shown in the drawings are for illustrative purposes only and form no part of the claimed design.

1 Claim, 7 Drawing Sheets



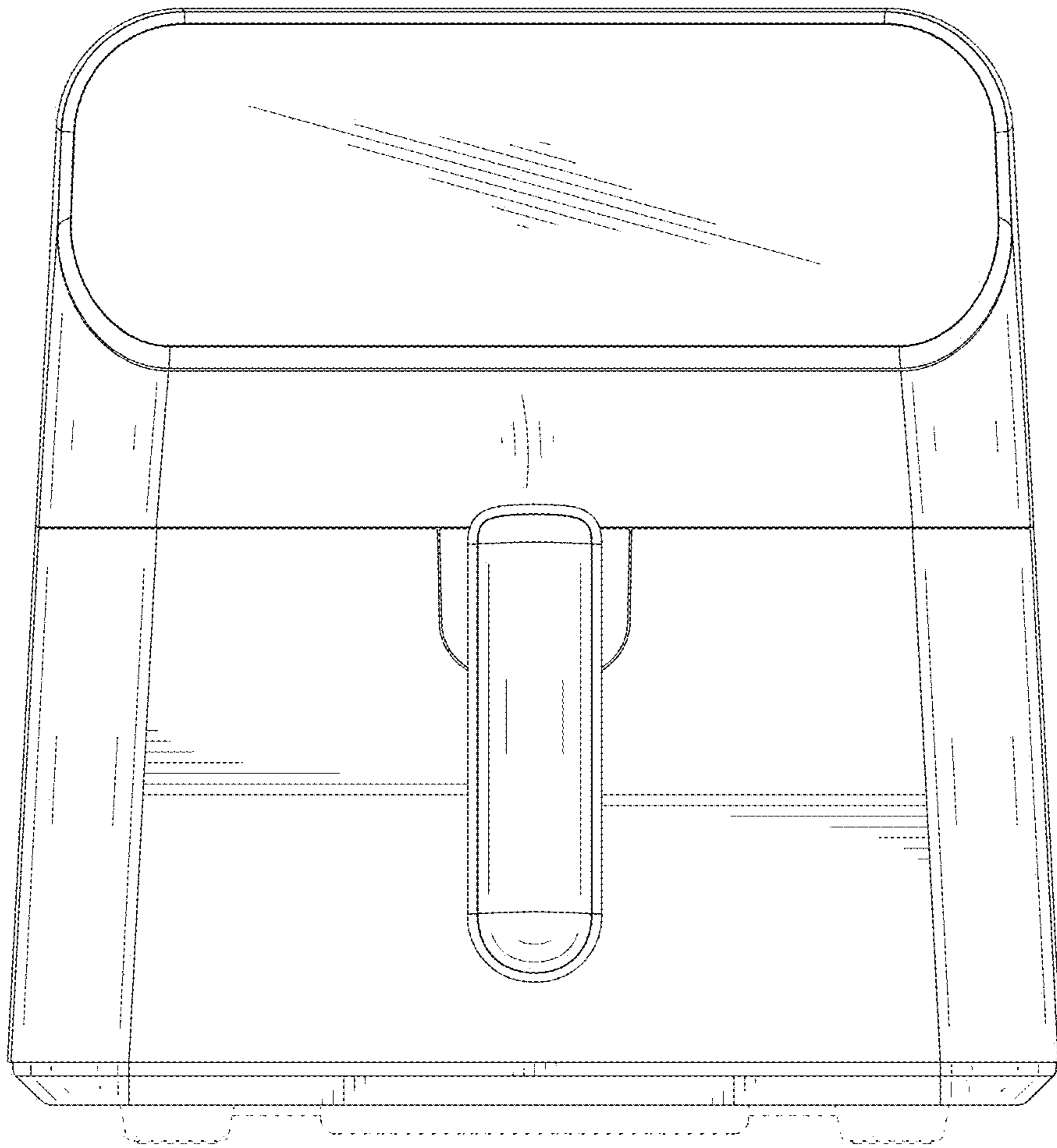


FIG.1

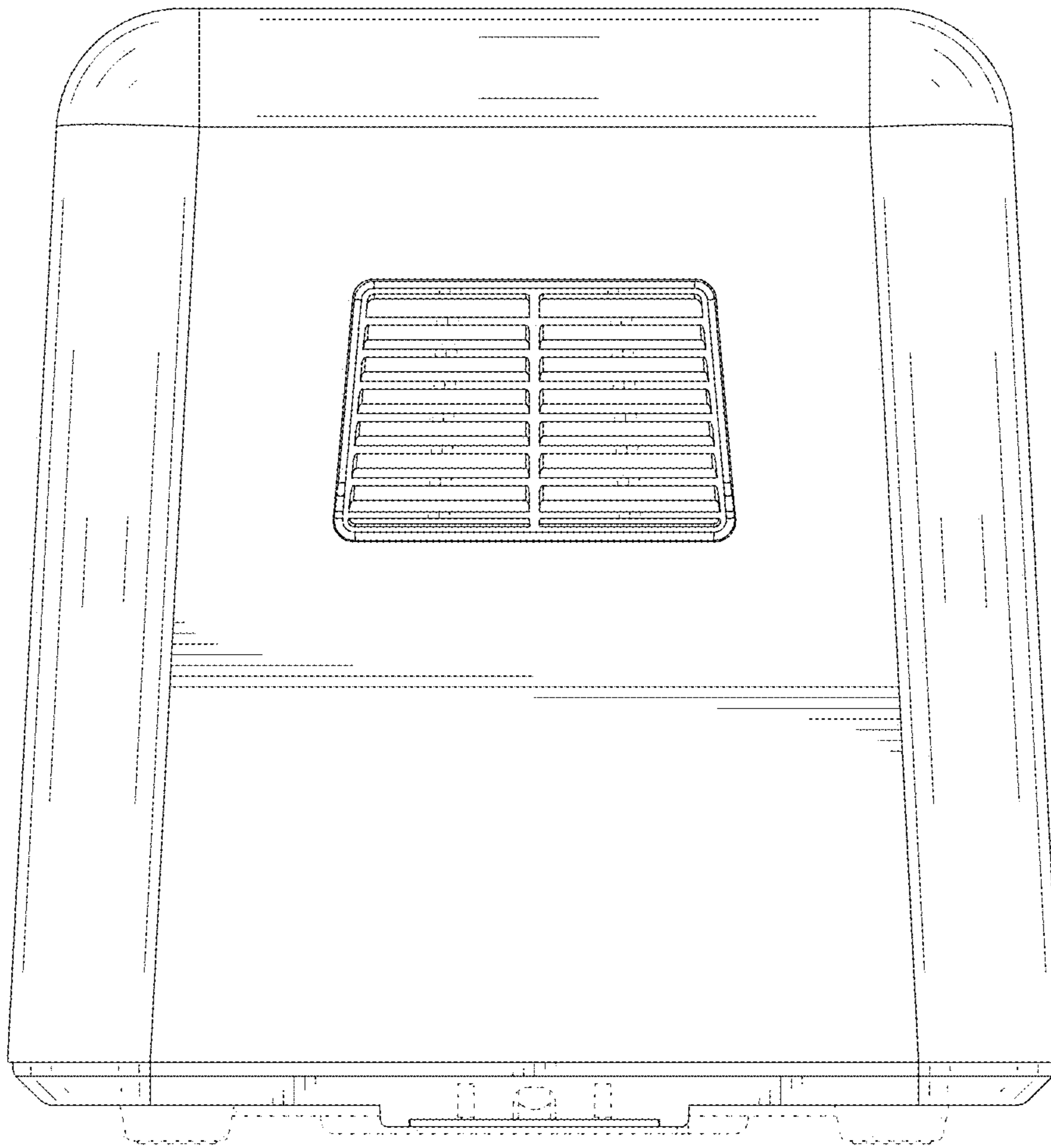


FIG.2

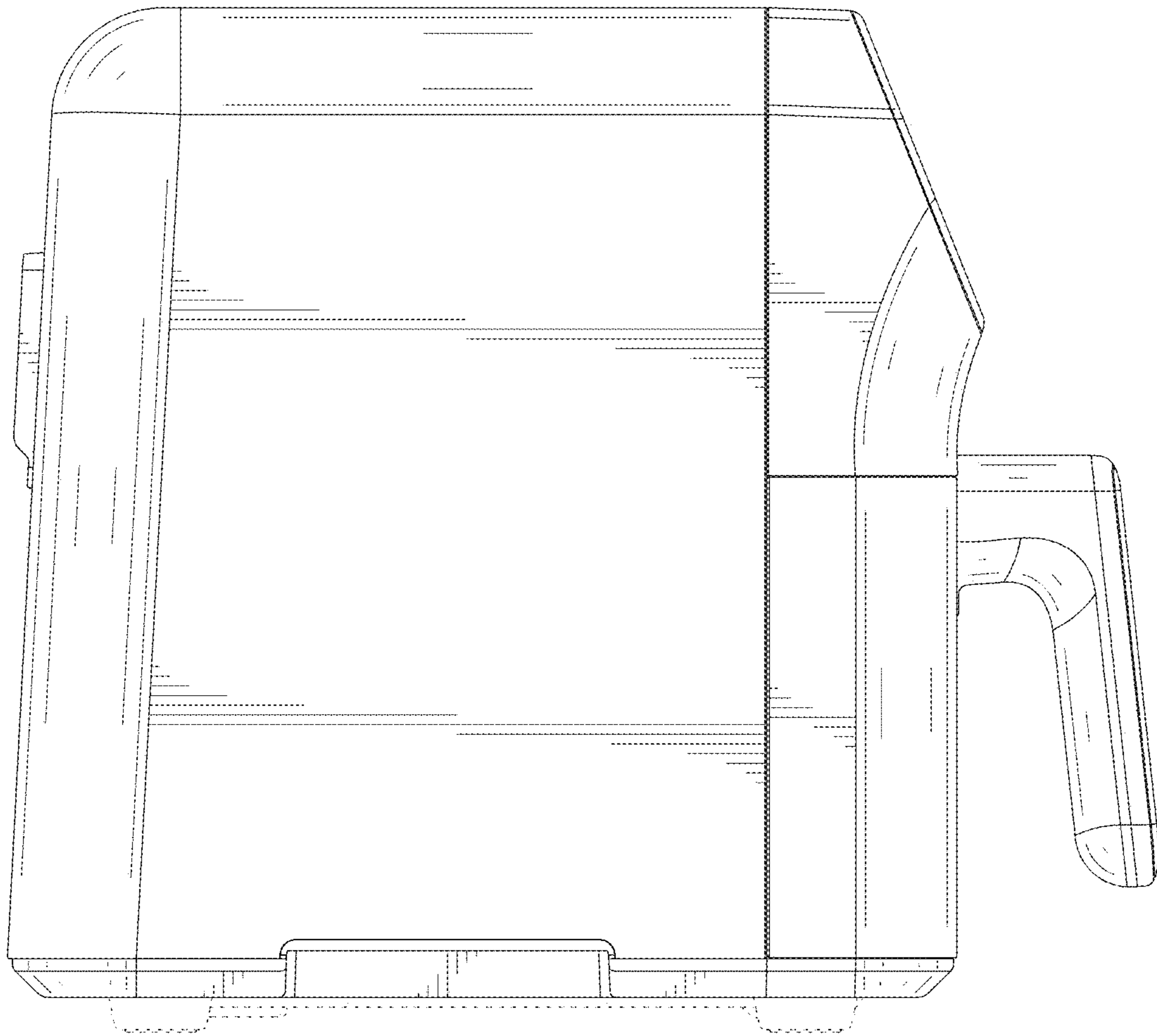


FIG.3

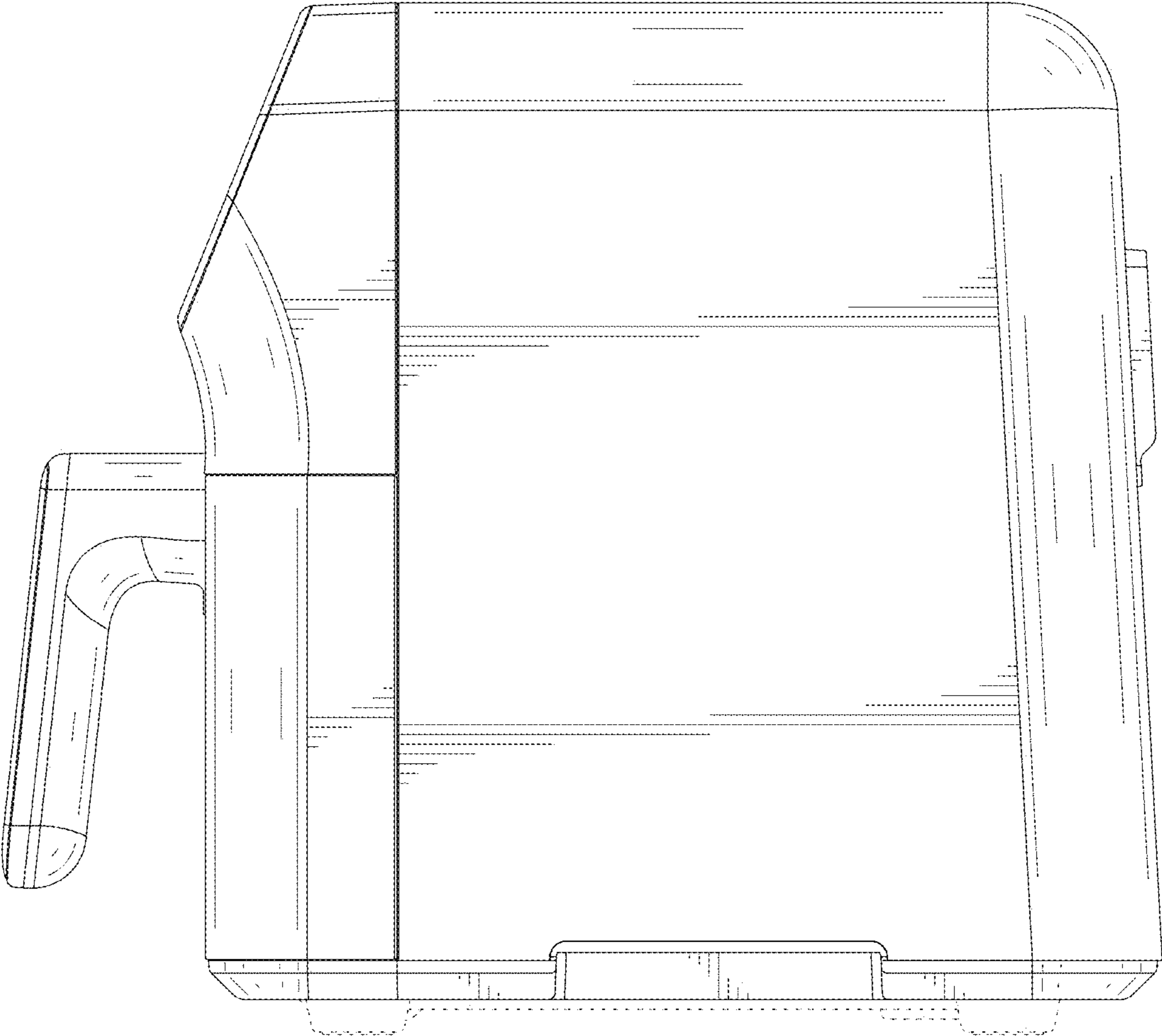


FIG.4

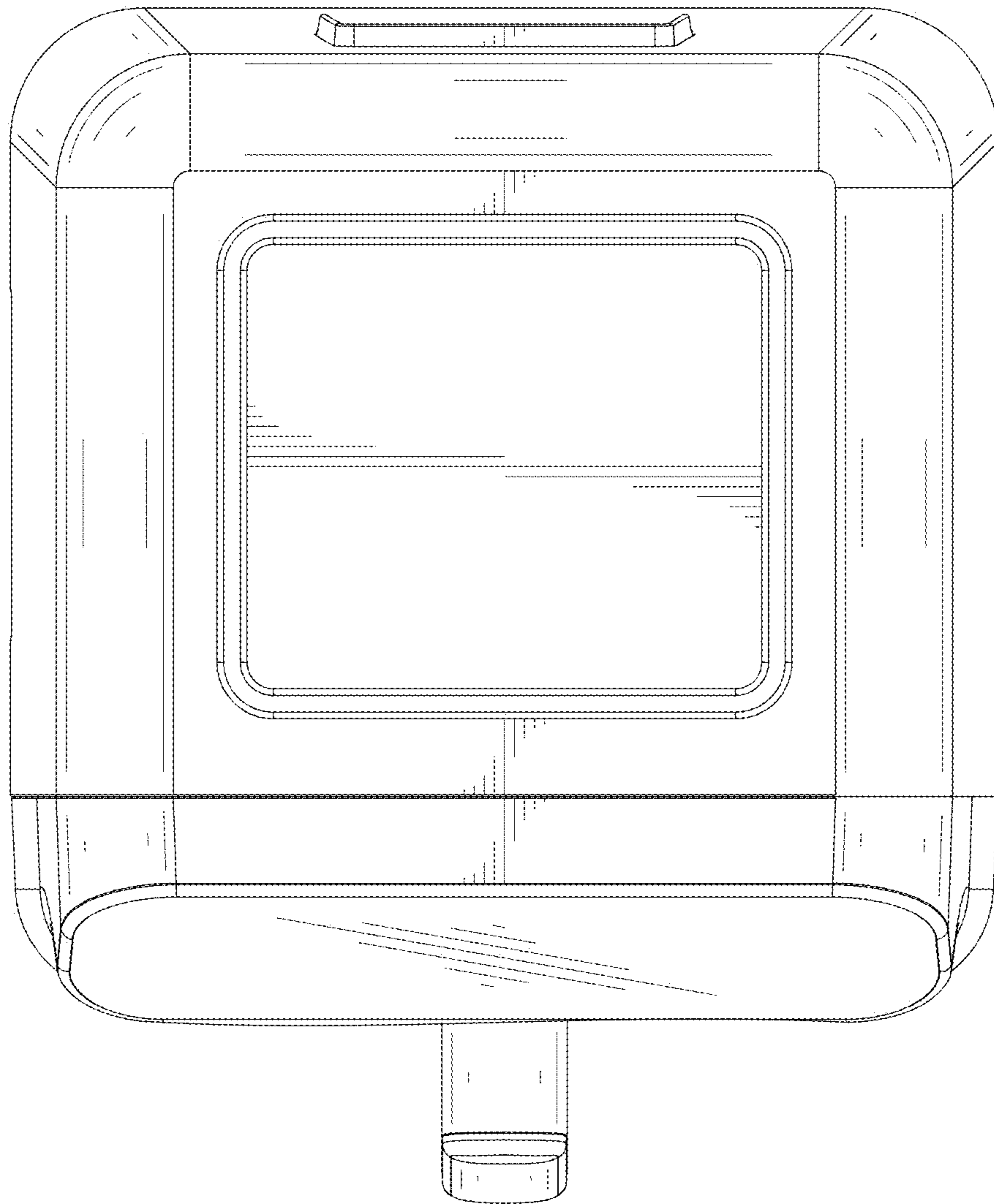


FIG.5



FIG.6

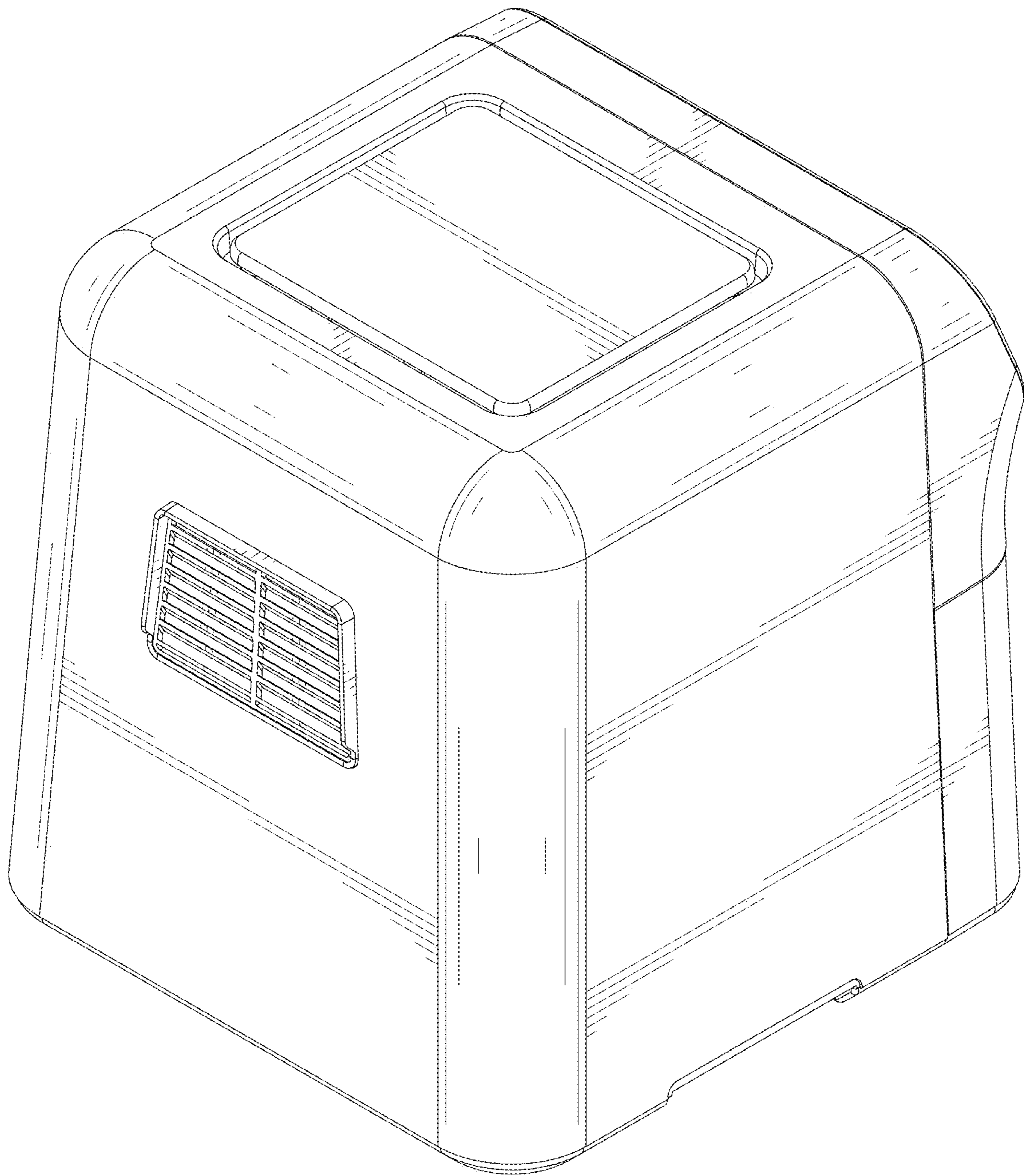


FIG.7