



US00D987355S

(12) **United States Design Patent**
Biegeleisen

(10) **Patent No.:** **US D987,355 S**

(45) **Date of Patent:** **** May 30, 2023**

(54) **AIR FRYER**

(71) Applicant: **The Steelstone Group LLC**, Brooklyn, NY (US)

(72) Inventor: **Naphtali H. Biegeleisen**, Brooklyn, NY (US)

(73) Assignee: **The Steelstone Group LLC**, Brooklyn, NY (US)

(**) Term: **15 Years**

(21) Appl. No.: **29/774,176**

(22) Filed: **Mar. 15, 2021**

(51) **LOC (14) Cl.** **07-02**

(52) **U.S. Cl.**
USPC **D7/354**

(58) **Field of Classification Search**
USPC D7/323, 354-361
CPC A23L 1/01; A23L 1/0107; A23L 1/0114;

A47J 27/00; A47J 27/08; A47J 27/09;
A47J 27/092; A47J 36/025; A47J 36/06;
A47J 36/08; A47J 36/10; A47J 36/12;
A47J 36/18; A47J 36/20; A47J 36/22;
A47J 36/165; A47J 37/00; A47J 37/12;
A47J 37/129; A47J 37/1204; A47J
37/1209; A47J 37/1214; A47J 37/1219;
A47J 37/1266; A47J 37/1285; A47J
37/1295; G07F 17/0064; G07F 17/0078;
G07F 17/0085; H05B 6/02; H05B 6/06;
H05B 6/12

See application file for complete search history.

(56) **References Cited**

U.S. PATENT DOCUMENTS

D680,801 S * 4/2013 Seymour D7/354
D814,232 S * 4/2018 Barquin D7/354

D836,381 S * 12/2018 Moon D7/354
D836,383 S * 12/2018 Dutruel D7/354
D839,040 S * 1/2019 Seymour D7/354
D841,388 S * 2/2019 Zhang D7/354
D844,369 S * 4/2019 De' Longhi D7/354
D862,152 S * 10/2019 Huang D7/354
D879,539 S * 3/2020 Chen D7/354
D883,729 S 5/2020 Yang et al.
D891,849 S 8/2020 Yang et al.
D923,386 S * 6/2021 Lin D7/354
D933,415 S * 10/2021 Yang D7/354
D934,021 S * 10/2021 Luo D7/354
D938,218 S * 12/2021 Dubeau D7/354

OTHER PUBLICATIONS

Kobi Air Fryer. Date First Available on Amazon.com Jul. 16, 2020.
<https://www.amazon.com/dp/B08D55RCH2/ref> (Year: 2020).*

* cited by examiner

Primary Examiner — Ricky Pham

(74) *Attorney, Agent, or Firm* — Myers Wolin, LLC

(57) **CLAIM**

The ornamental design for an air fryer, as shown and described.

DESCRIPTION

FIG. 1 is a front perspective view of an air fryer showing my new design;

FIG. 2 is a rear perspective view thereof;

FIG. 3 is a front elevation view thereof;

FIG. 4 is a rear elevation view thereof;

FIG. 5 is a left side elevation view thereof;

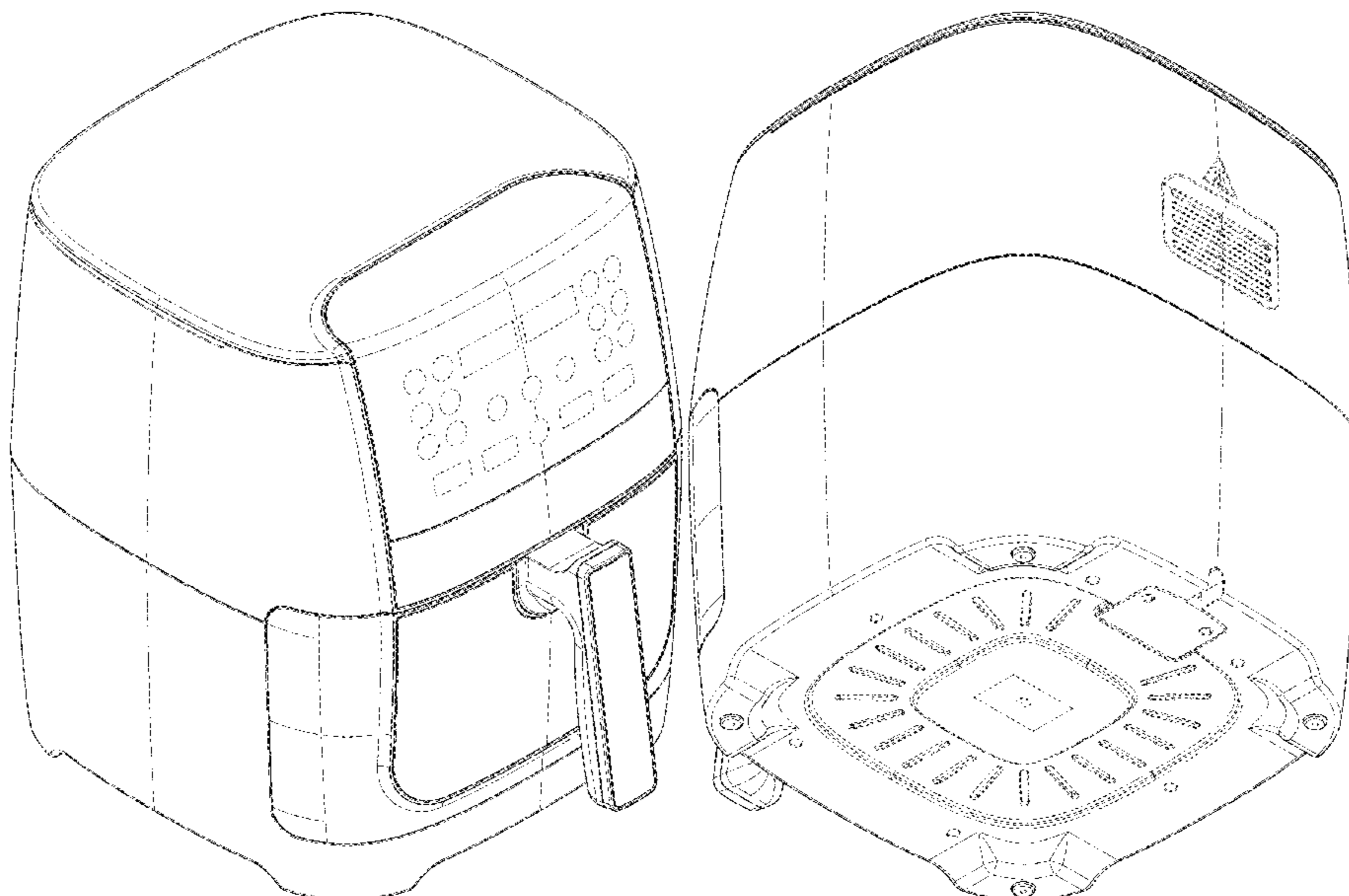
FIG. 6 is a right side elevation view thereof;

FIG. 7 is a top plan view thereof; and,

FIG. 8 is a bottom plan view thereof.

The broken lines illustrate portions of the air fryer that form no part of the claimed design.

1 Claim, 8 Drawing Sheets



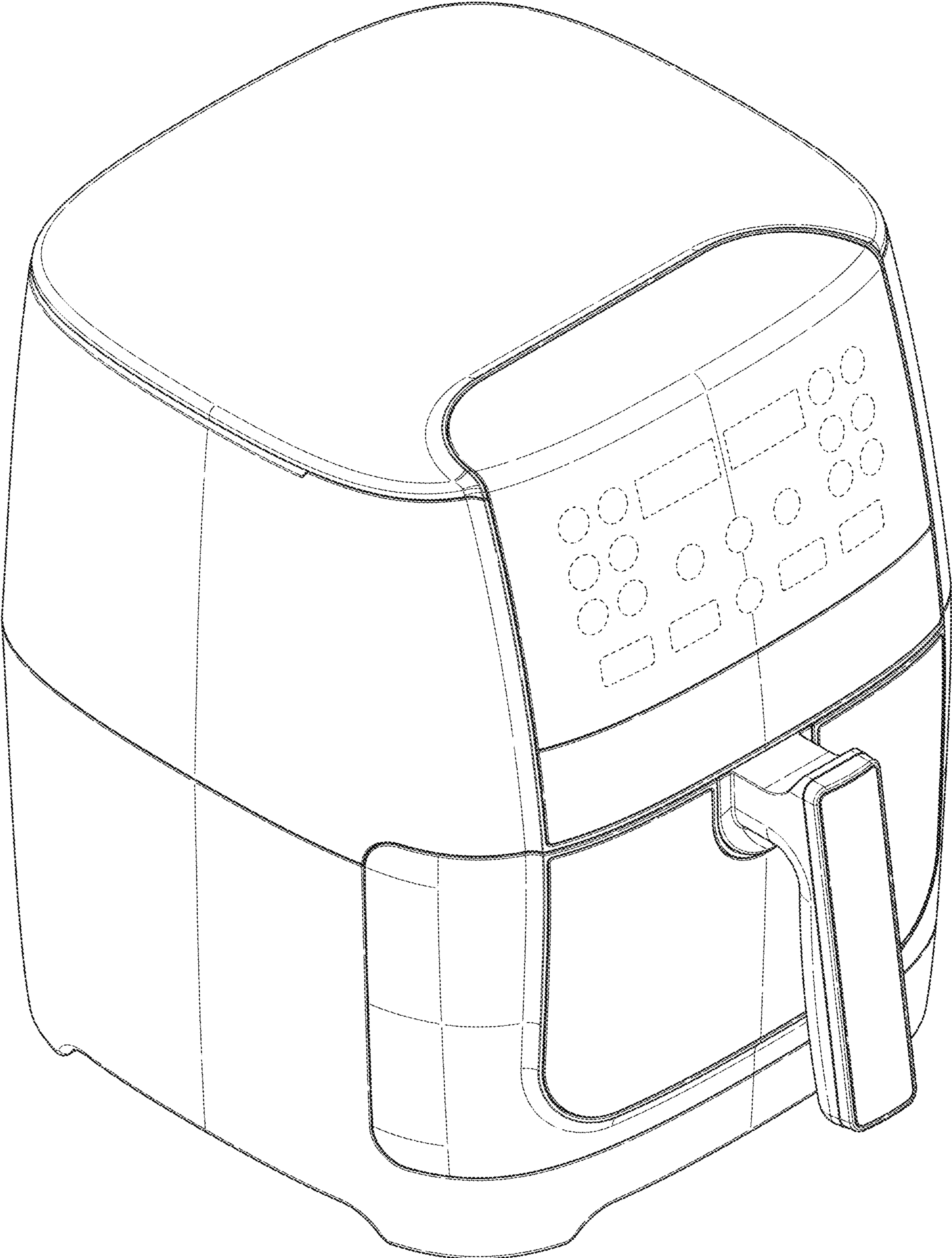


FIG. 1

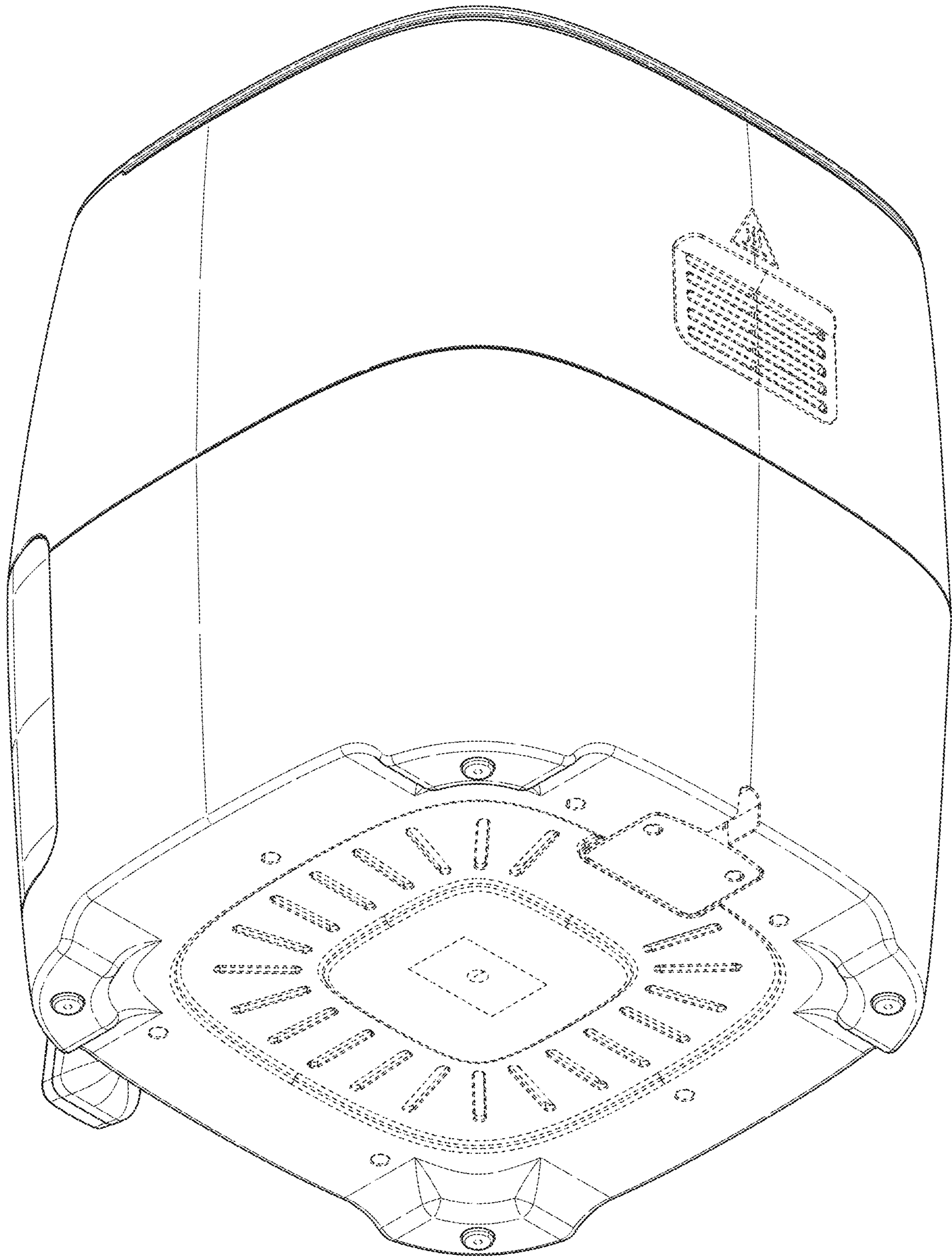


FIG. 2

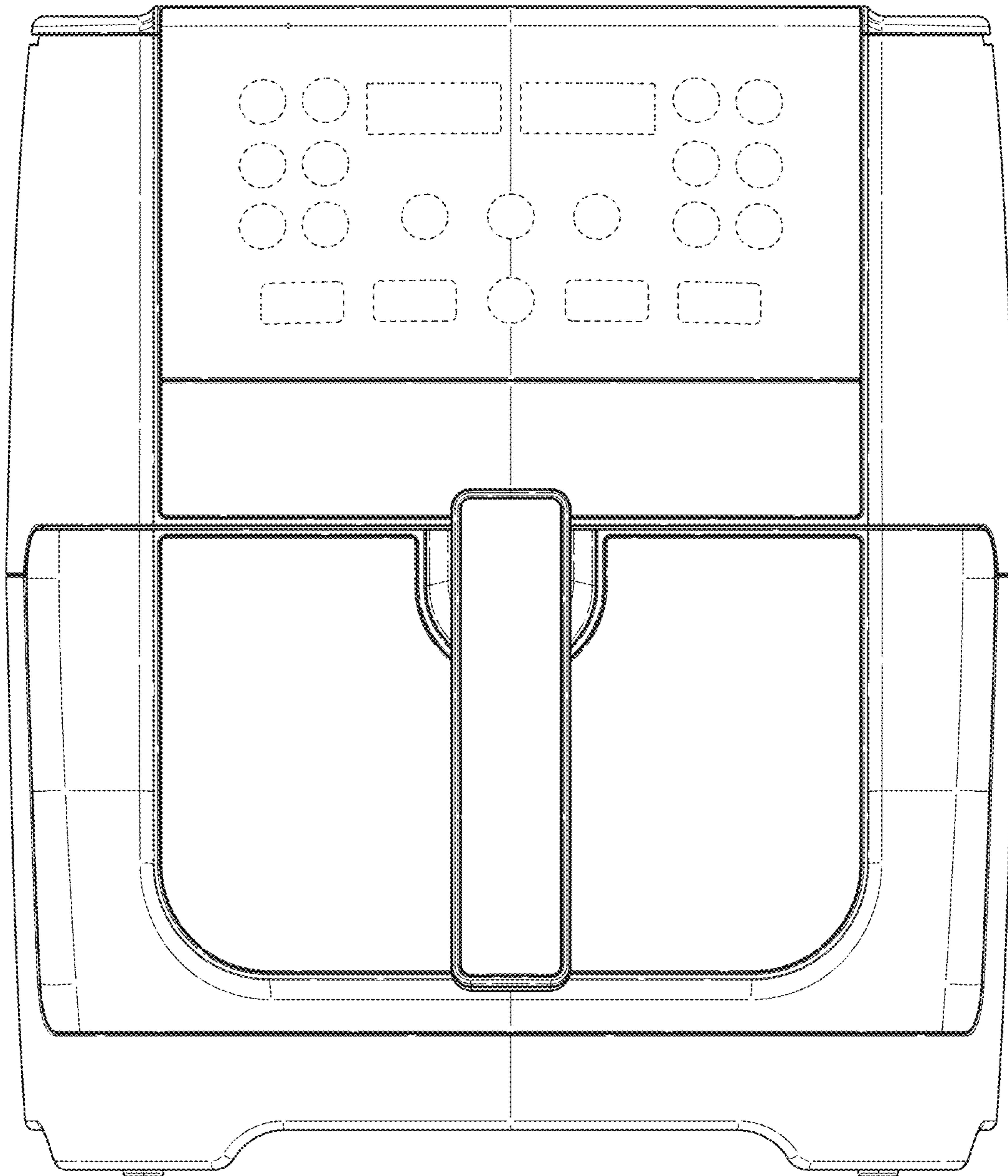


FIG. 3

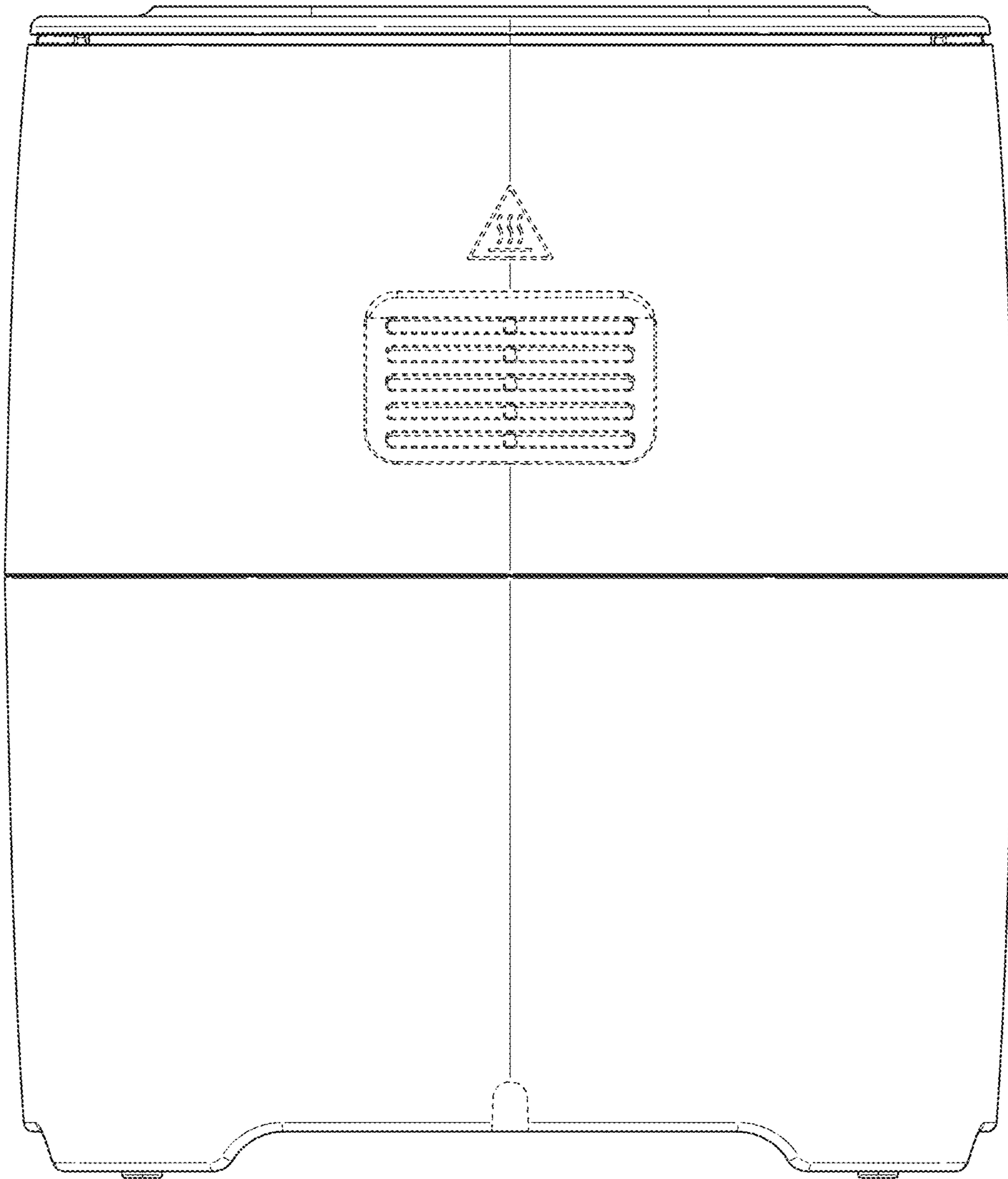


FIG. 4

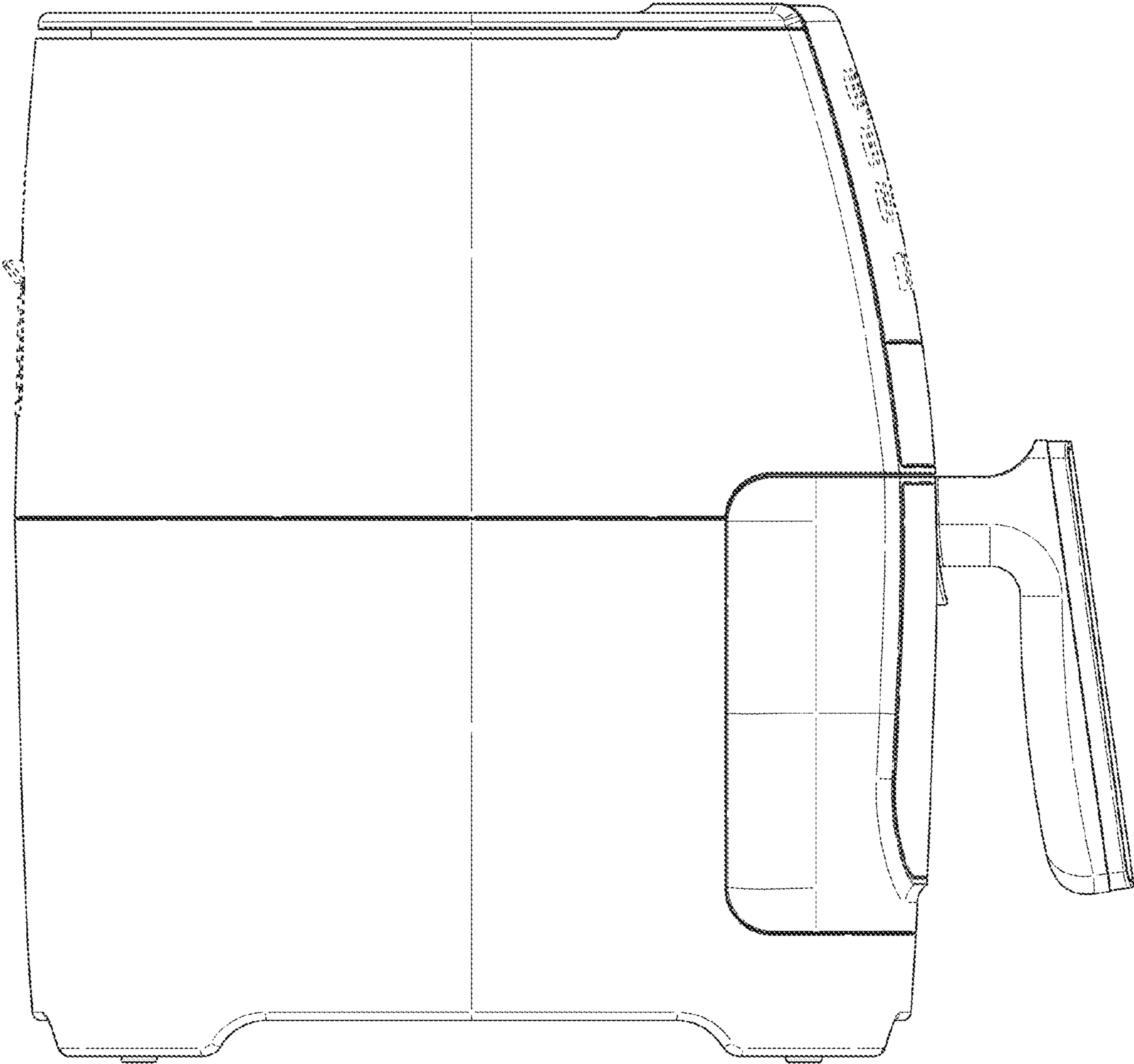


FIG. 5

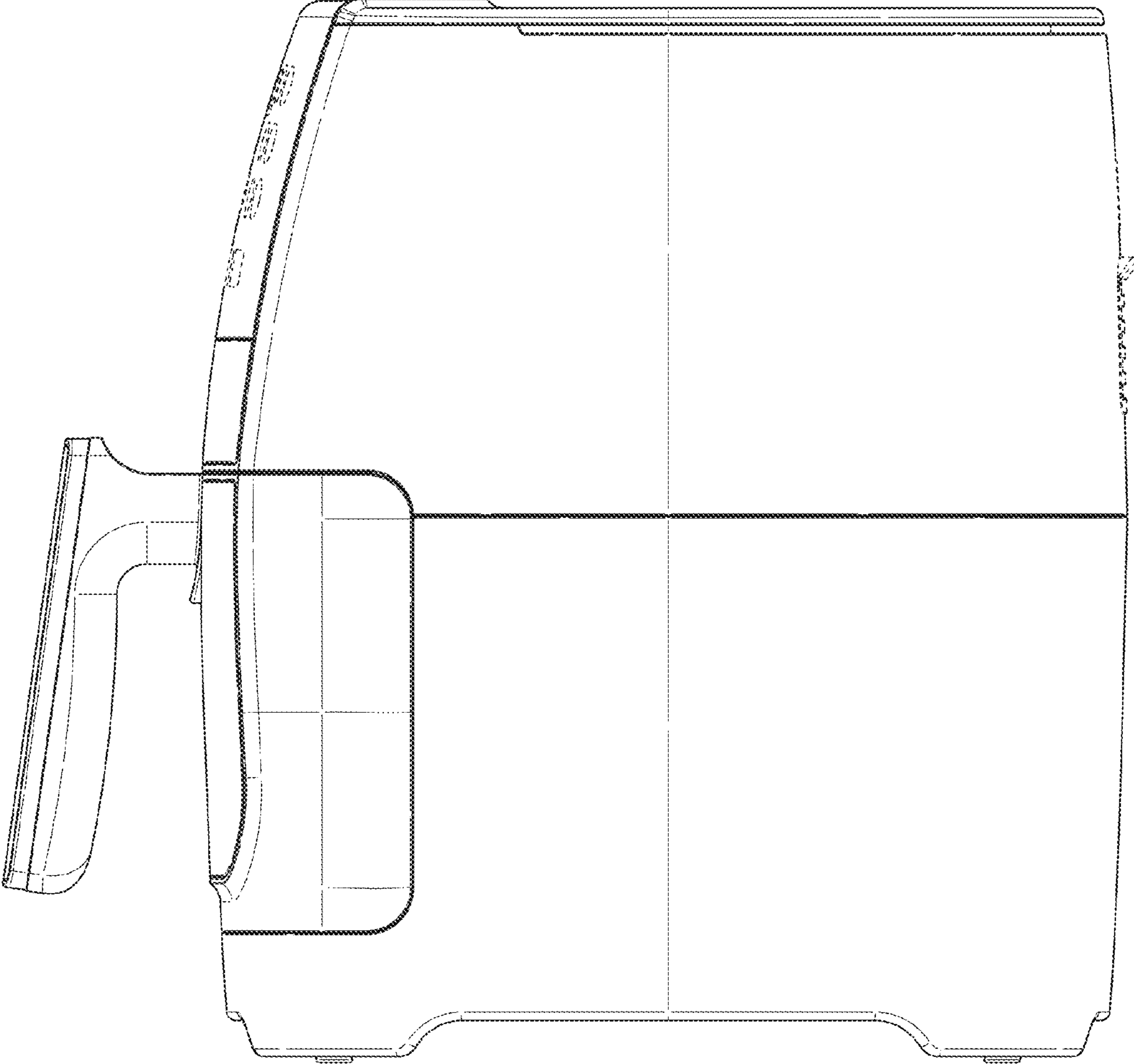


FIG. 6

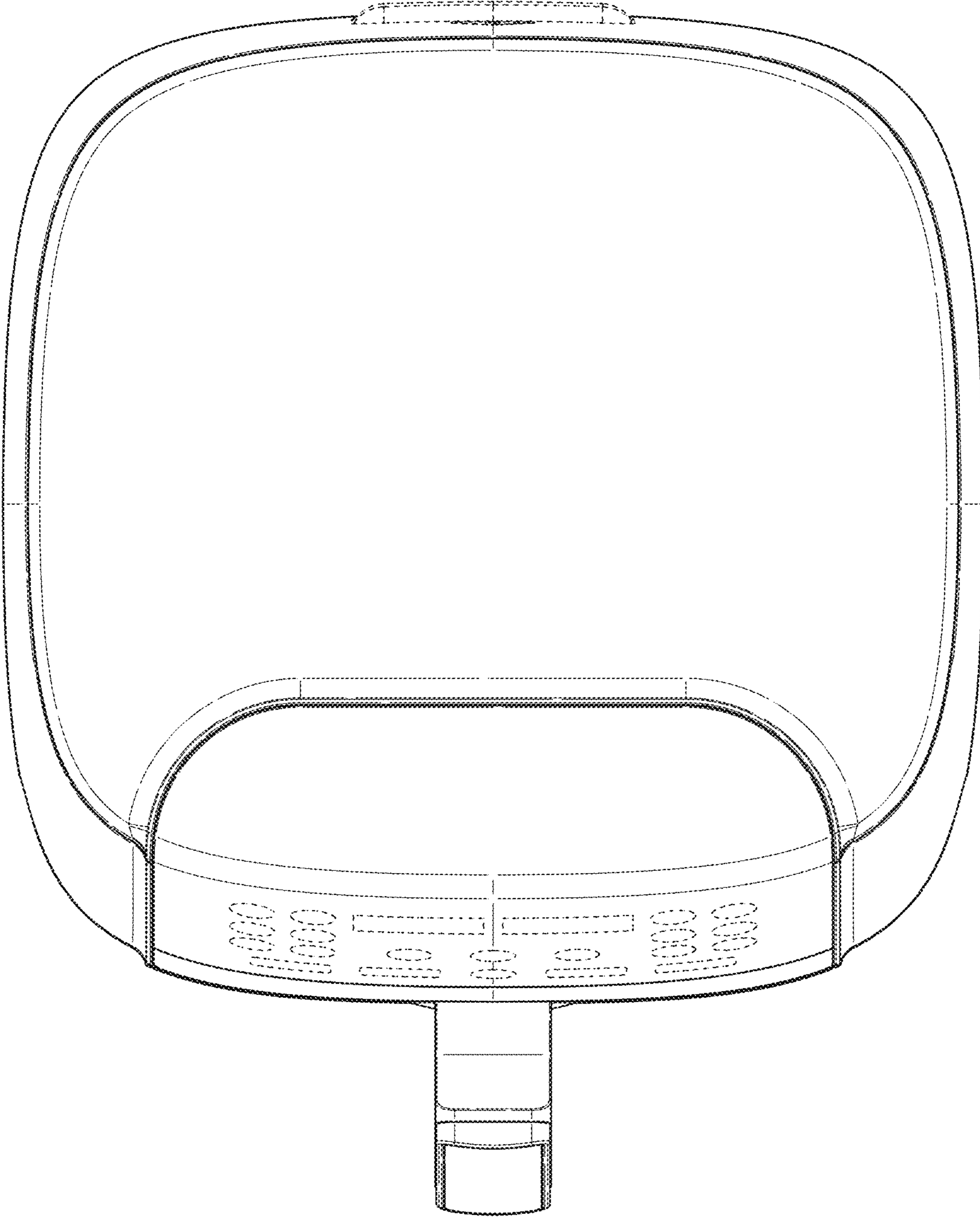


FIG. 7

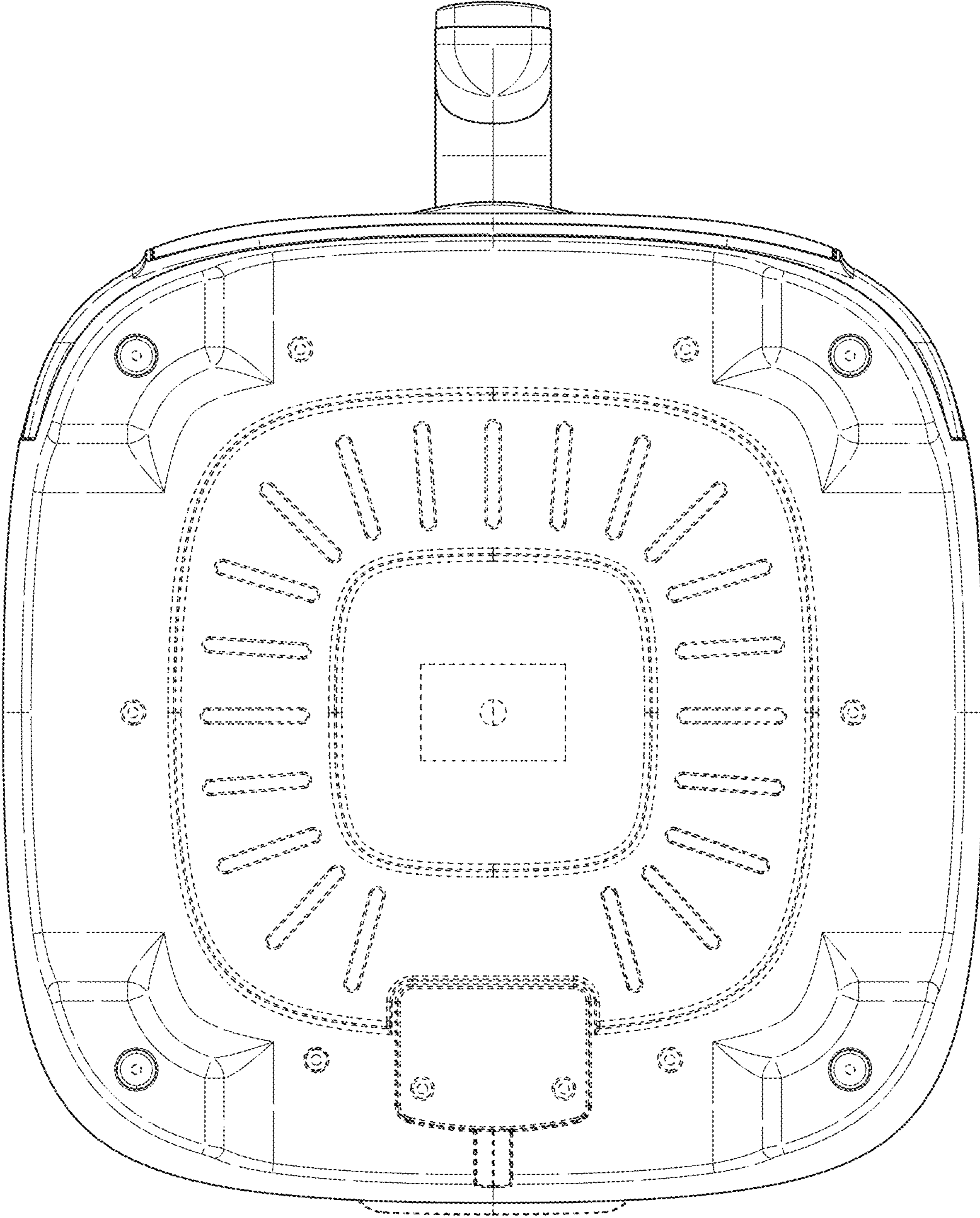


FIG. 8