



US00D987354S

(12) **United States Design Patent**
Schroeder

(10) **Patent No.:** **US D987,354 S**
(45) **Date of Patent:** **** May 30, 2023**

(54) **COMBINED COOKING MACHINE WITH POT**

(71) Applicant: **Harbour Star International Limited,**
Mongkok (HK)

(72) Inventor: **Thorsten Schroeder,** Pok Fu Lam
(HK)

(73) Assignee: **HARBOUR STAR**
INTERNATIONAL LIMITED,
Mongkok (HK)

(**) Term: **15 Years**

(21) Appl. No.: **29/762,373**

(22) Filed: **Dec. 16, 2020**

(30) **Foreign Application Priority Data**

Jul. 16, 2020 (EM) 008042949-0001

(51) **LOC (14) Cl.** **07-02**

(52) **U.S. Cl.**
USPC **D7/354; D7/378; D7/386**

(58) **Field of Classification Search**
USPC D7/319, 354, 355, 356, 368, 372, 376,
D7/377, 378, 379, 380, 381, 382, 383,
D7/384, 385, 386, 401, 412, 413, 600,
D7/602, 629, 665, 679, 693, 694
CPC A21C 1/02; A21C 1/04; A23N 1/00; A23N
1/02; A47J 43/04; A47J 43/25; A47J
43/27; A47J 43/042; A47J 43/044; A47J
43/046; A47J 43/075; A47J 43/0722;
A47J 43/0727; A47J 43/087; B01F
3/0807; B01F 3/0853; B01F 13/0059;
B01F 13/0064; B02C 1/08; B02C 2/04;
B02C 4/42; B02C 4/142; B02C
(Continued)

(56) **References Cited**

U.S. PATENT DOCUMENTS

D638,653 S * 5/2011 Borin D7/378
D707,079 S * 6/2014 Blaise D7/381
D745,316 S * 12/2015 Usmar D7/378

(Continued)

FOREIGN PATENT DOCUMENTS

CN 304307604 * 10/2017
CN 305282814 * 7/2019
CN 306193172 * 11/2020

OTHER PUBLICATIONS

Cuisinart Complete Chef Cooking Food Processor, posted at Amazon.com on Sep. 29, 2020, [site visited May 4, 2022]. Available from internet, URL: <<https://www.amazon.com/FPC-100-Complete-ChefCooking-Food-Processor/dp/B08KCSJ1JZ/>> (Year: 2020).*

(Continued)

Primary Examiner — Andrew Kerr

Assistant Examiner — Chariton Alexakis

(74) *Attorney, Agent, or Firm* — Calderon Safran & Cole PC

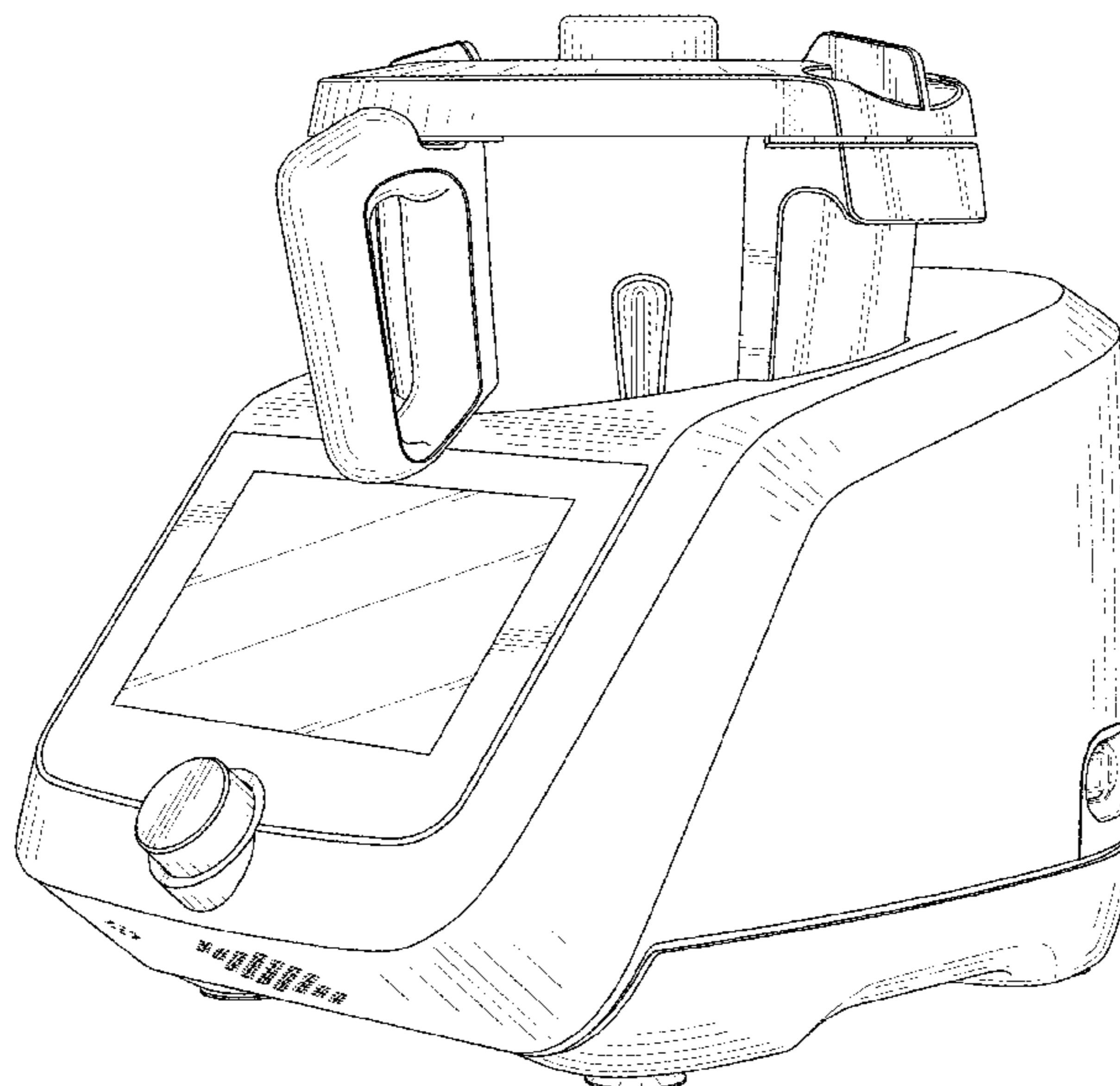
(57) **CLAIM**

The ornamental design for a combined cooking machine with pot, as shown and described.

DESCRIPTION

FIG. 1 is a front perspective view of a combined cooking machine with pot, showing my new design; FIG. 2 is a rear perspective view thereof; FIG. 3 is a front elevational view thereof; FIG. 4 is a rear elevational view thereof; FIG. 5 is a left side elevational view thereof; FIG. 6 is a right side elevational view thereof; FIG. 7 is a top plan view thereof; and, FIG. 8 is a bottom plan view thereof. The broken lines in the drawings depict portions of the combined cooking machine with pot form no part of the claimed design.

1 Claim, 8 Drawing Sheets



(58) **Field of Classification Search**

CPC 4/143; B02C 4/423; B02C 13/1835; B28C
5/10; B28C 5/14; B28C 5/16

See application file for complete search history.

(56) **References Cited**

U.S. PATENT DOCUMENTS

D747,917	S	*	1/2016	Kemker	D7/378
D847,558	S	*	5/2019	Hoff	D7/378
D887,199	S	*	6/2020	Fung	D7/378
D896,022	S	*	9/2020	Ye	D7/378
D896,023	S	*	9/2020	Ye	D7/378
D896,563	S	*	9/2020	Lee	D7/354
D899,843	S	*	10/2020	Ye	D7/378
D900,534	S	*	11/2020	Ye	D7/378
D909,123	S	*	2/2021	Bourgeois	D7/378
D919,357	S	*	5/2021	Fung	D7/378
D935,262	S	*	11/2021	Ye	D7/378
2017/0000294	A1	*	1/2017	Faria Rocha	A47J 43/0722
2018/0070775	A1	*	3/2018	Cornelissen	B02C 18/16
2020/0359843	A1	*	11/2020	Ye	G01G 19/52
2021/0274976	A1	*	9/2021	Schmitz	A47J 43/0772

OTHER PUBLICATIONS

Multo By CookingPal, Compact Countertop Food Processor, posted at Amazon.com on Jul. 18, 2021 , [site visited May 4, 2022]. Available from internet, URL: <<https://www.amazon.com/CookingPal-Compact-Countertop-Multi-Functional-Processor/dp/B096LR6CC3/>> (Year: 2021).*

* cited by examiner

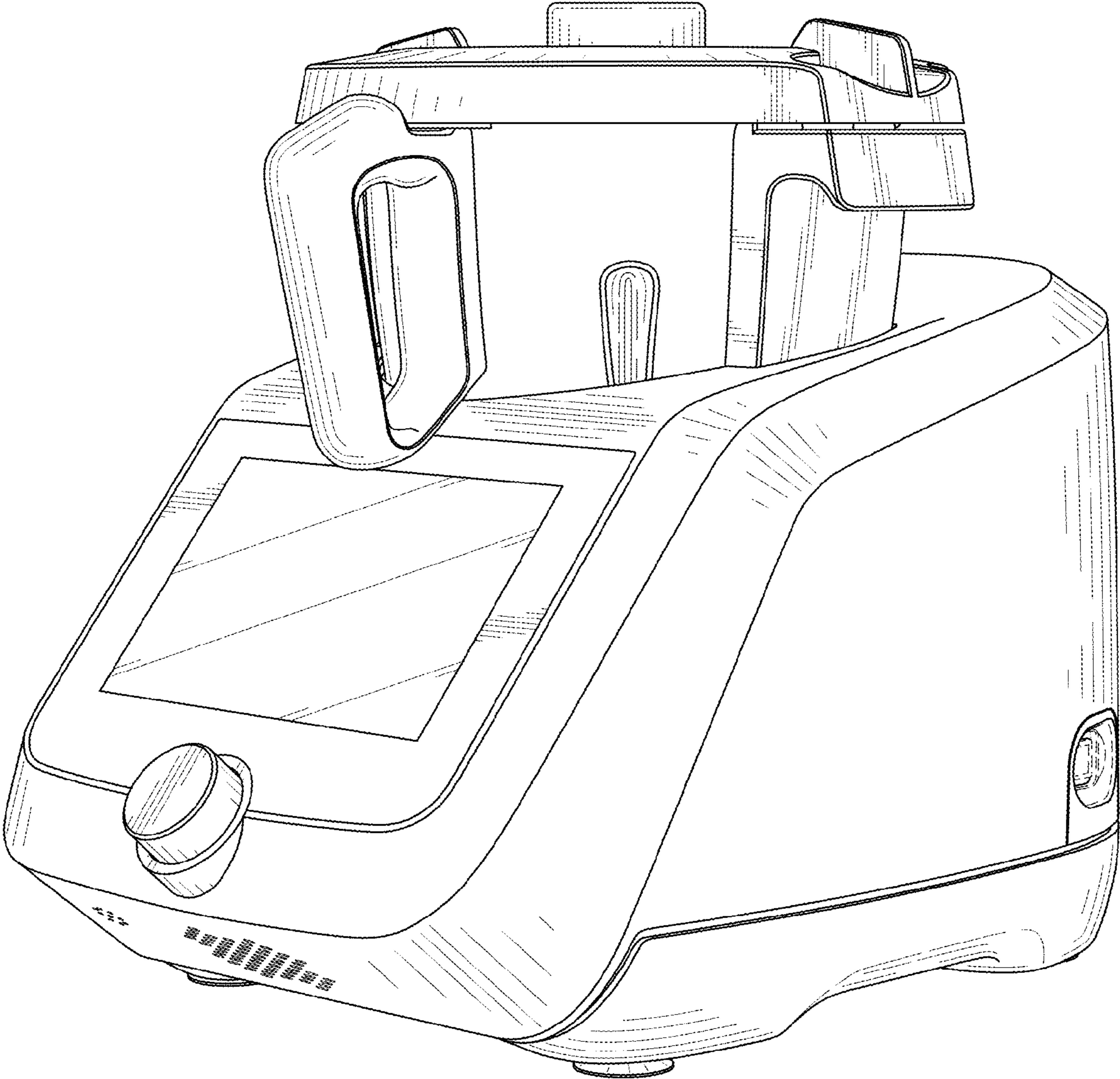


FIG. 1

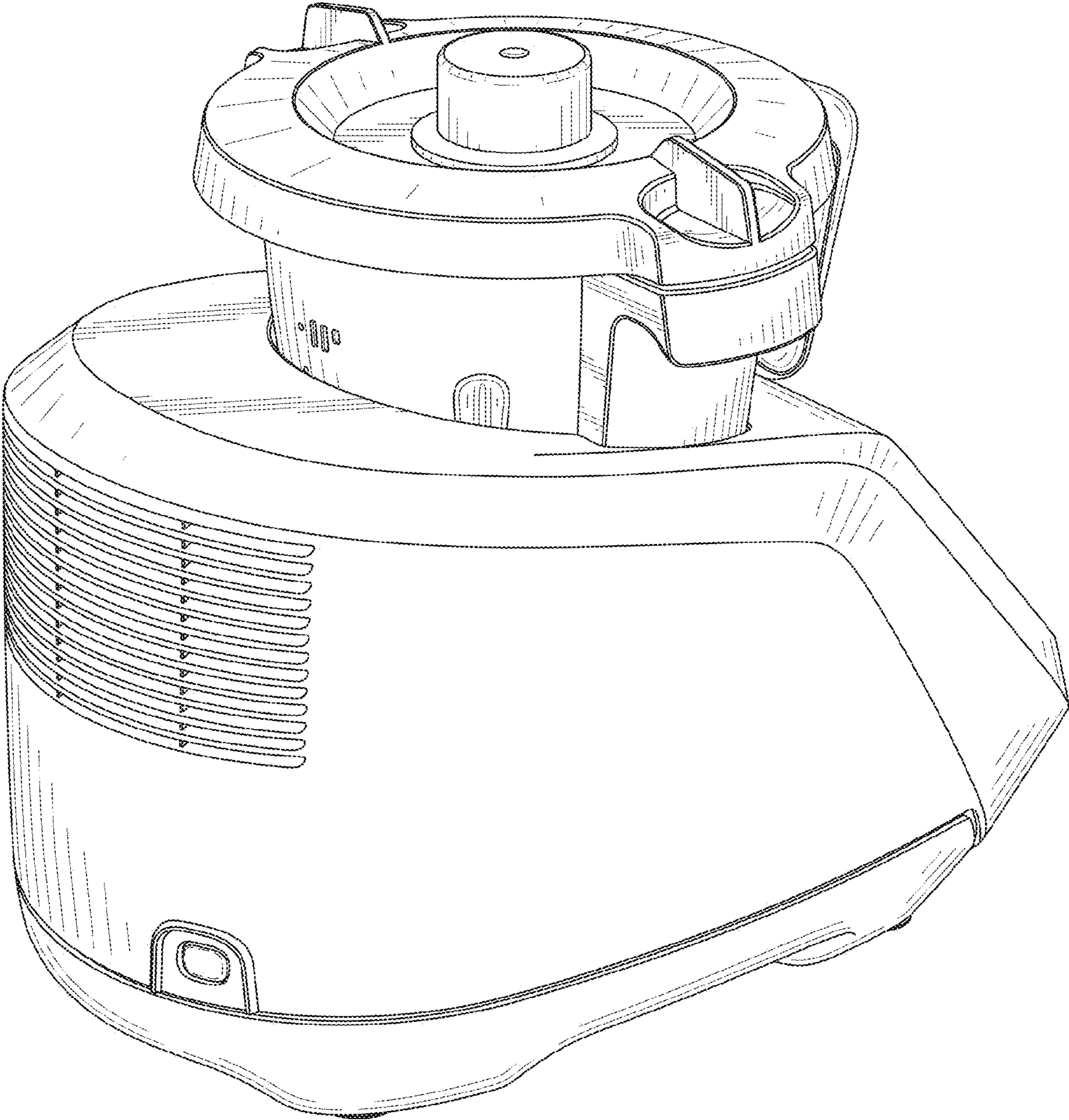


FIG. 2

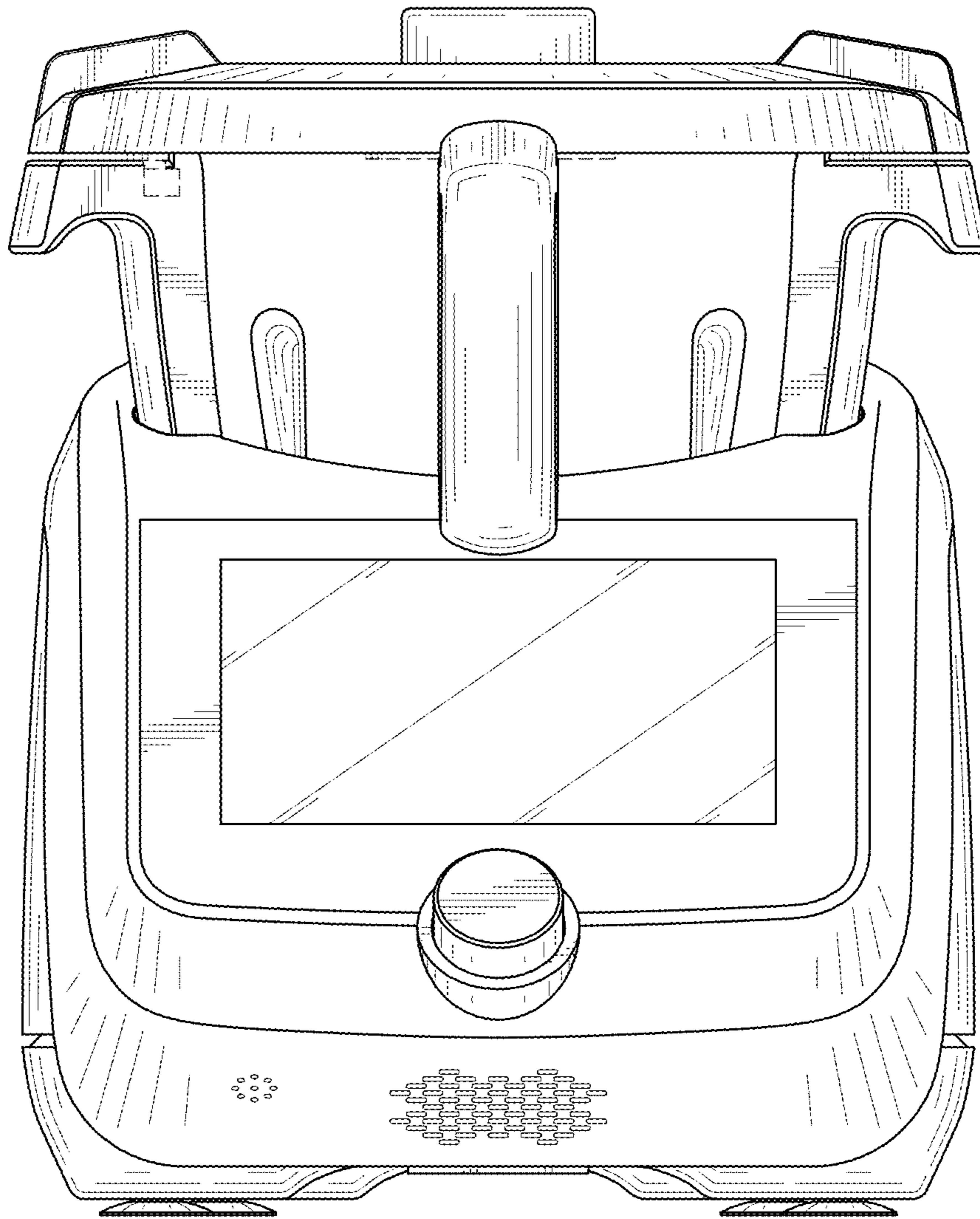


FIG. 3

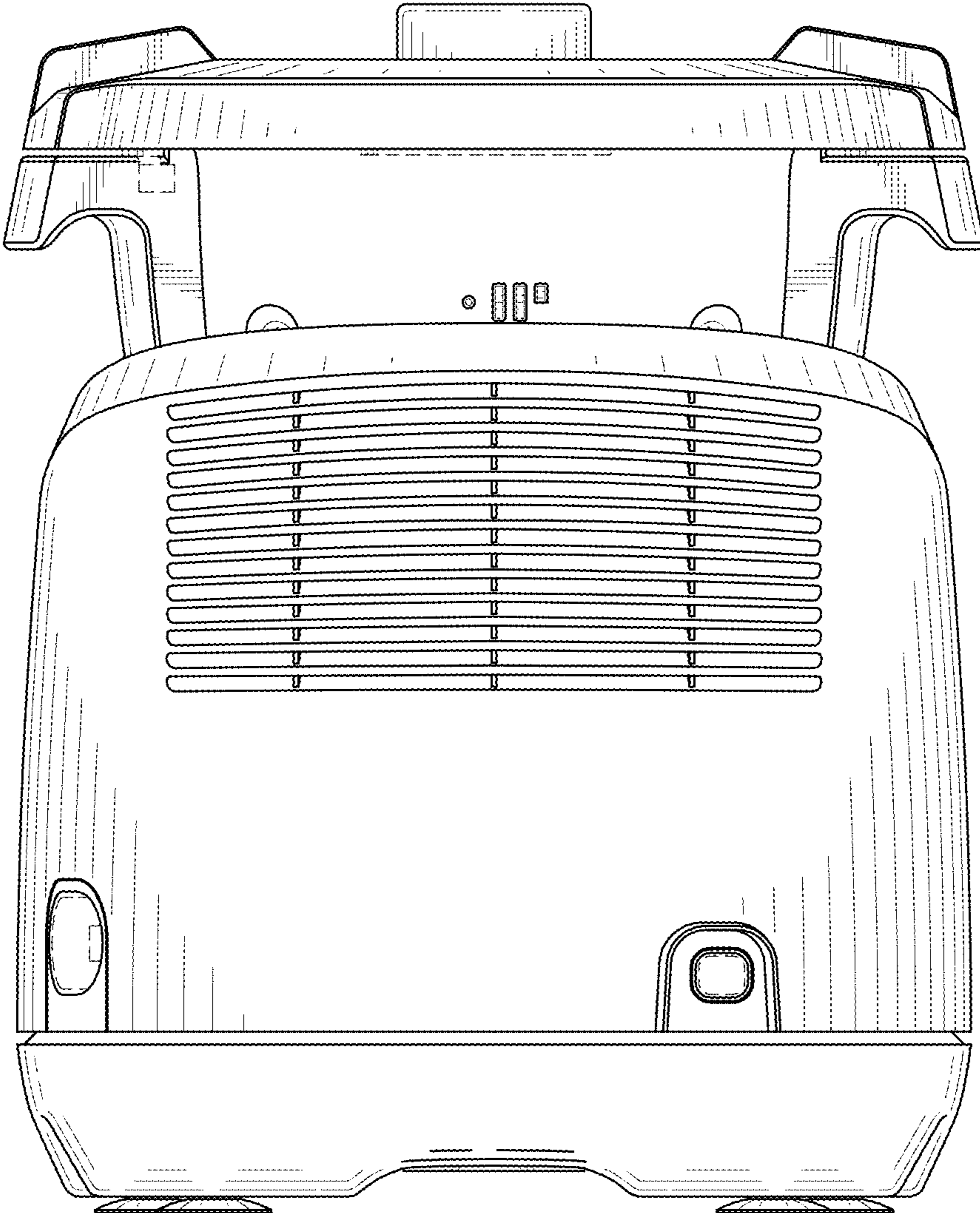


FIG. 4

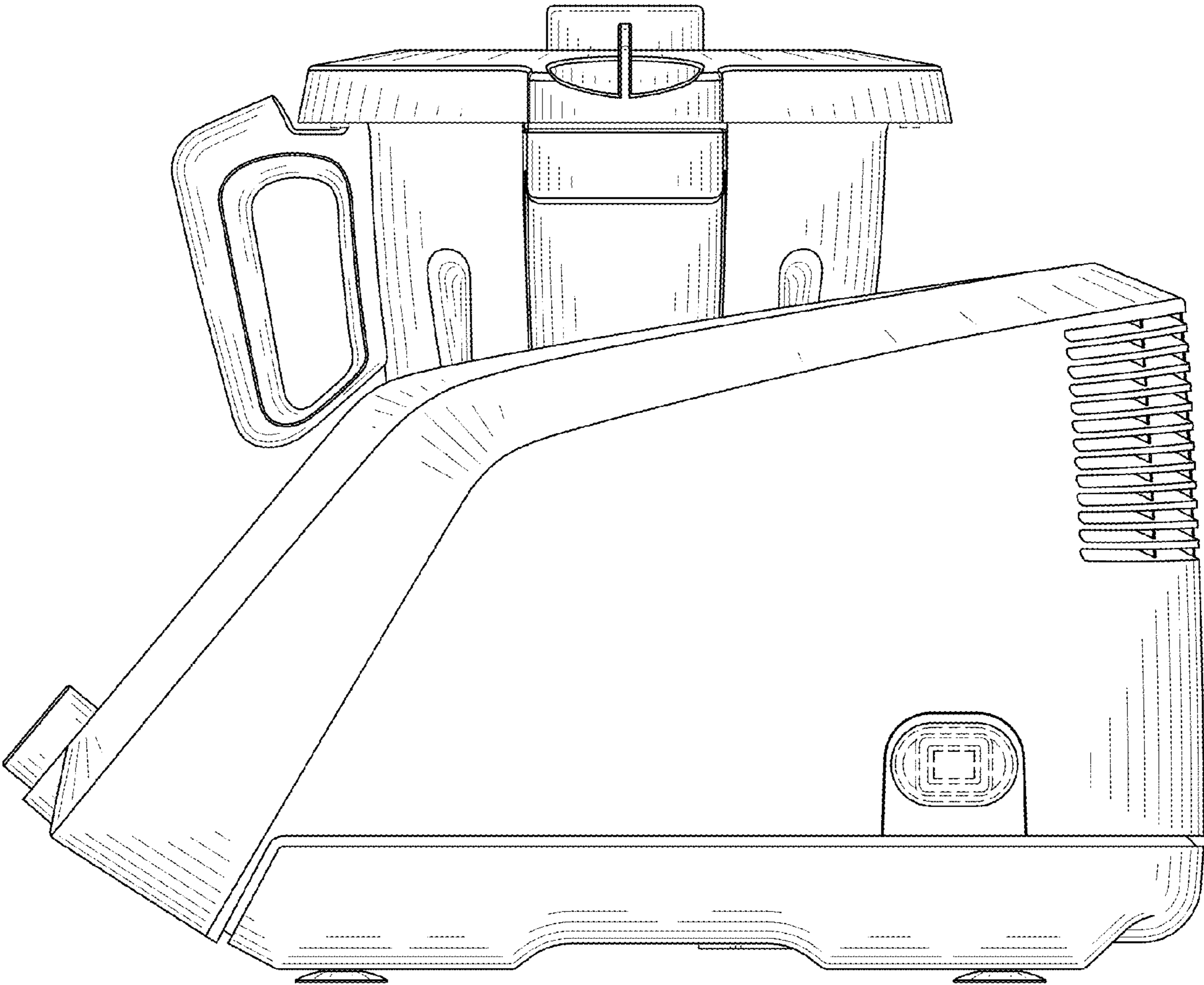


FIG. 5

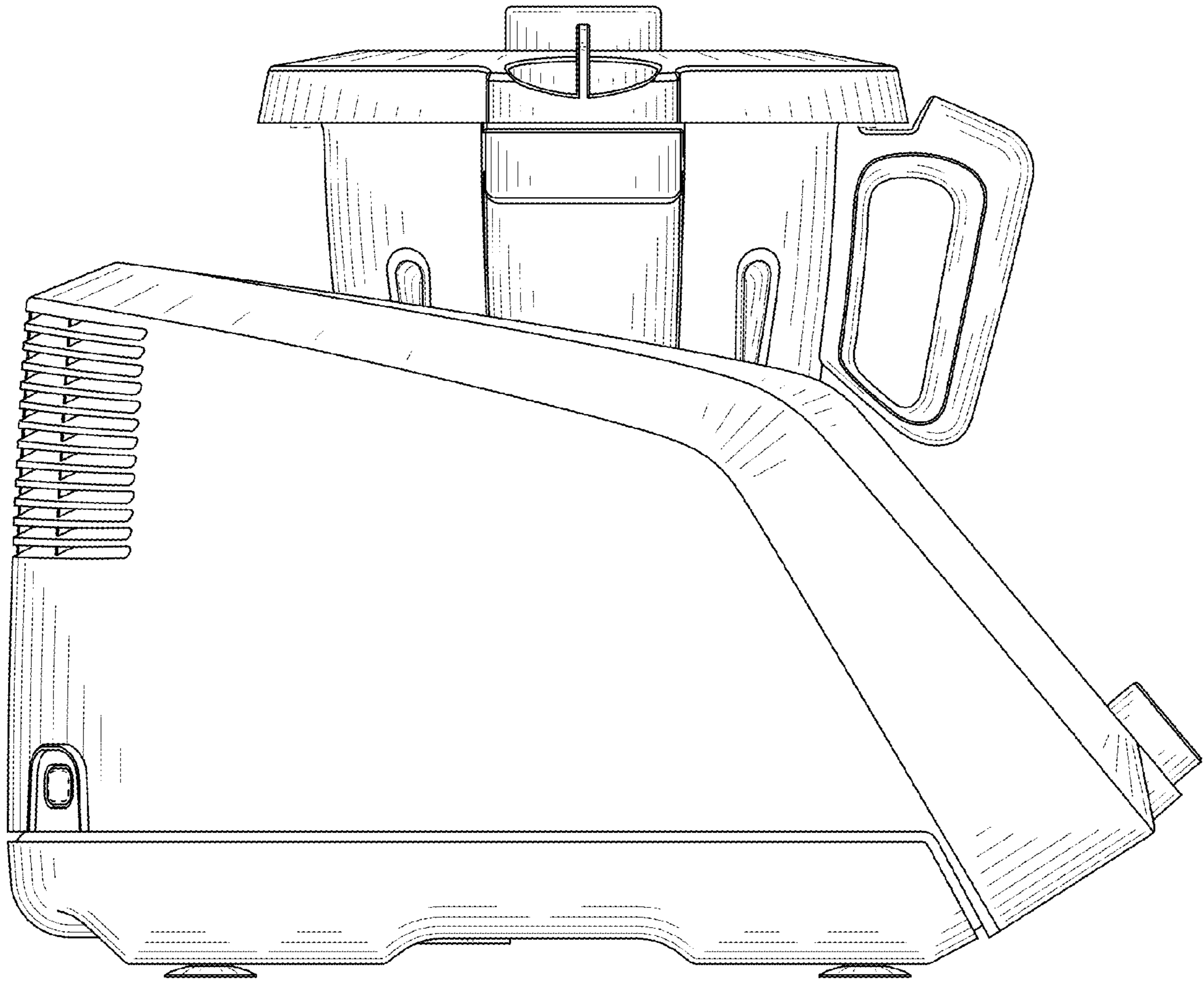


FIG. 6

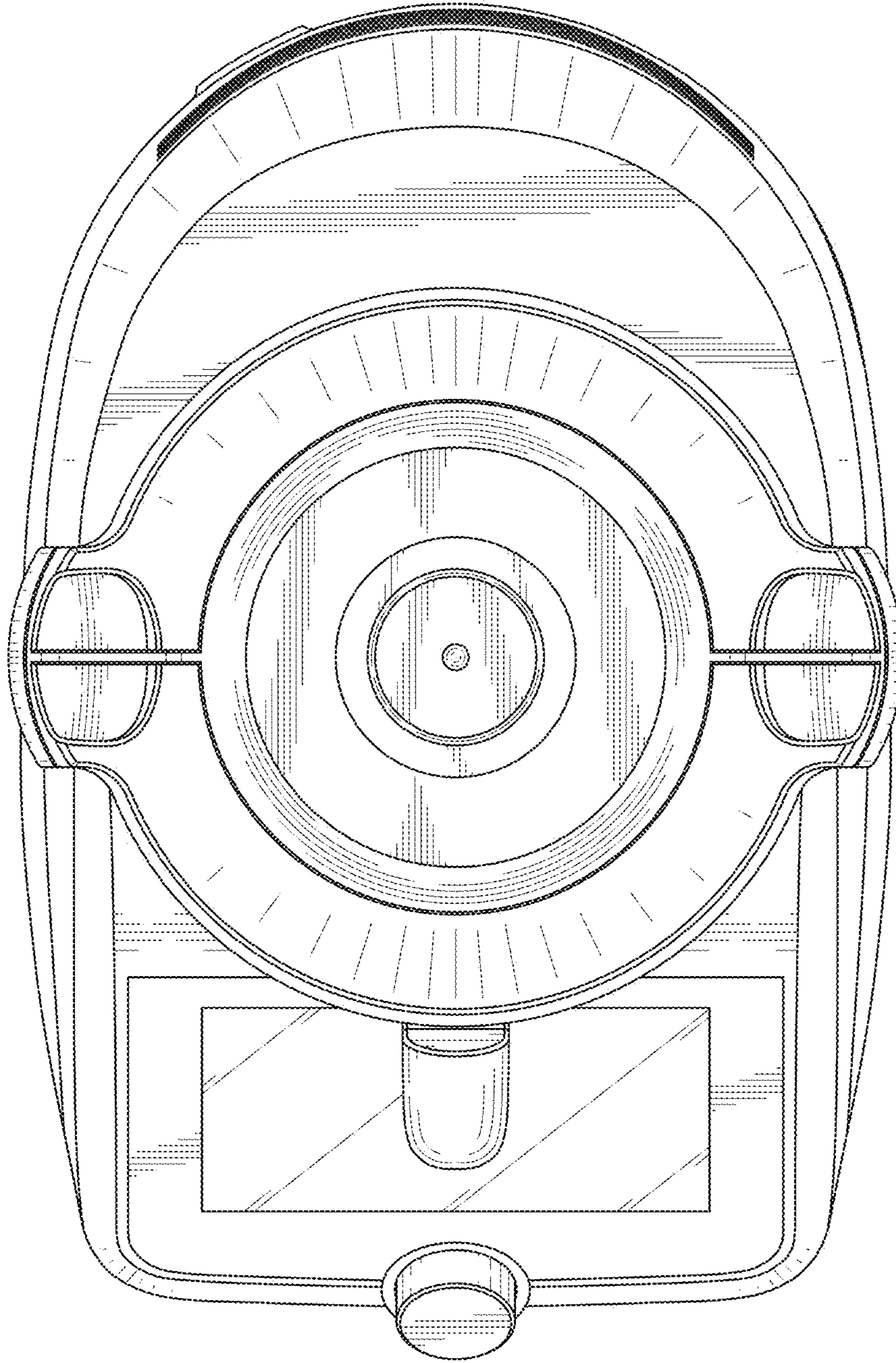


FIG. 7

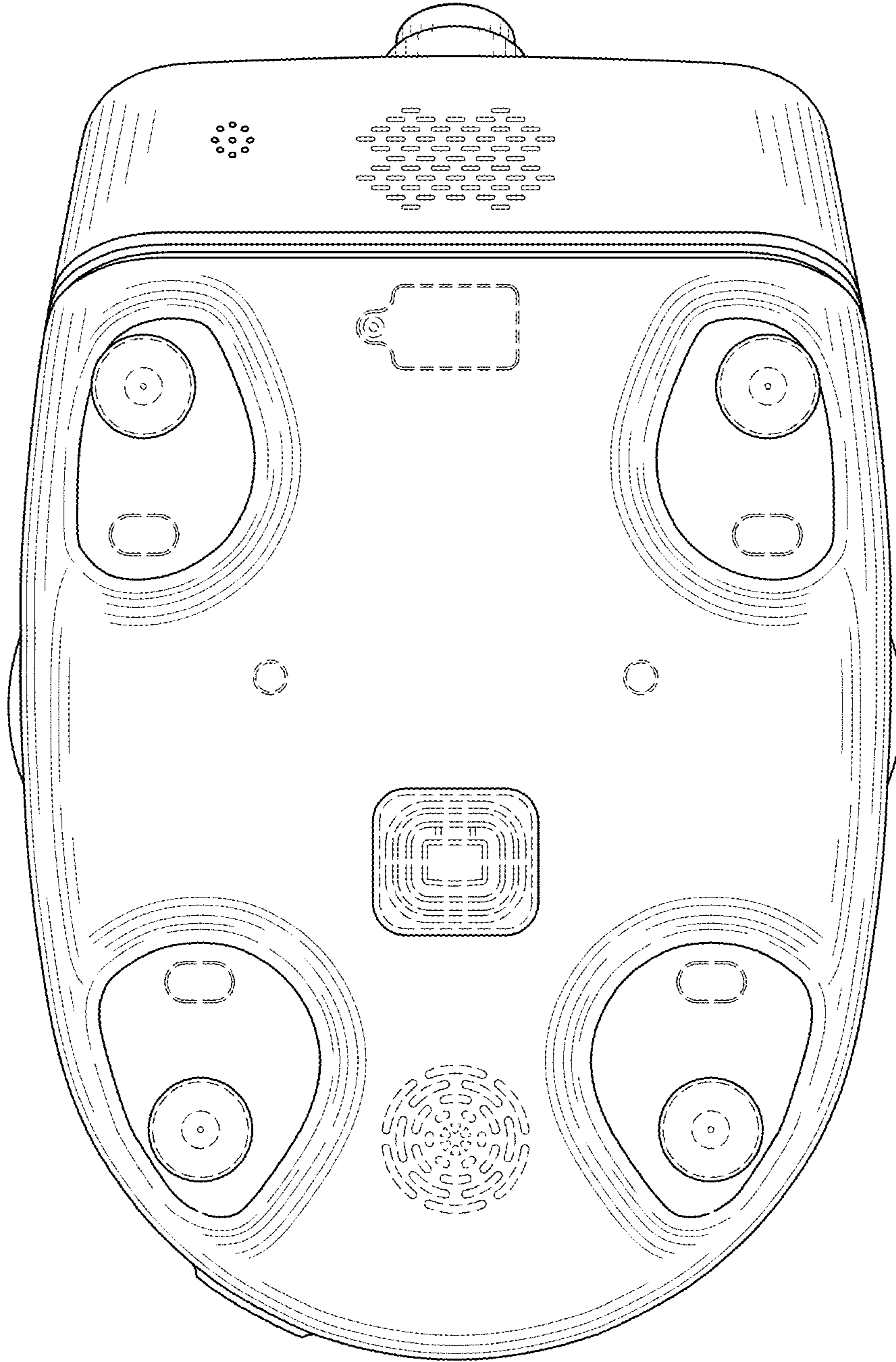


FIG. 8