



US00D987352S

(12) **United States Design Patent** (10) **Patent No.:** **US D987,352 S**
Tian (45) **Date of Patent:** **** May 30, 2023**

(54) **COFFEE KETTLE**
(71) Applicant: **Shenzhen Fanpuguizhen E-Commerce Co., Ltd.**, Guangdong (CN)
(72) Inventor: **Zhaoyang Tian**, Guangdong (CN)
(73) Assignee: **Shenzhen Fanpuguizhen E-Commerce Co., Ltd.**, Guangdong (CN)

2017/0105568 A1* 4/2017 Chen A47J 27/21191
2018/0160847 A1* 6/2018 Miller G05D 23/22
2019/0261808 A1* 8/2019 Lin A47J 31/02

FOREIGN PATENT DOCUMENTS

EM 007513510-0001 * 1/2020
JP D1455443 * 11/2012
WO WO-2020067056 A1 * 4/2020 A47J 27/21025

OTHER PUBLICATIONS

Kook, "Kook Stovetop Gooseneck Kettle with Thermometer," Jun. 15, 2020, Amazon.com, www.amazon.com/Gooseneck-Stovetop-Kettle-Thermometer-Layered/dp/B08B7C4SKL (Year: 2020).*
"Normcore Gooseneck Kettle," Dec. 9, 2020, Amazon.ca, www.amazon.ca/Normcore-Gooseneck-Kettle-Built-Thermometer/dp/B08NGPMHWS (Year: 2020).*

* cited by examiner

Primary Examiner — Joseph Kukella
Assistant Examiner — Arva P Adams
(74) *Attorney, Agent, or Firm* — ScienBiziP, P.C.

(**) Term: **15 Years**
(21) Appl. No.: **29/740,401**
(22) Filed: **Jul. 2, 2020**
(51) **LOC (14) Cl.** **07-02**
(52) **U.S. Cl.**
USPC **D7/314; D7/321**
(58) **Field of Classification Search**
USPC D3/202; D7/300, 302, 305, 312,
D7/316-322, 392, 392.1, 393, 395, 412,
D7/415, 538, 543, 545, 547, 629;
D9/443, 531, 534; D23/212
CPC A47J 27/21; A47J 27/21008; A47J
27/21041; A47J 27/2105; A47J 27/21058;
A47J 27/21158; A47J 27/21191; A47G
19/14
See application file for complete search history.

(57) **CLAIM**

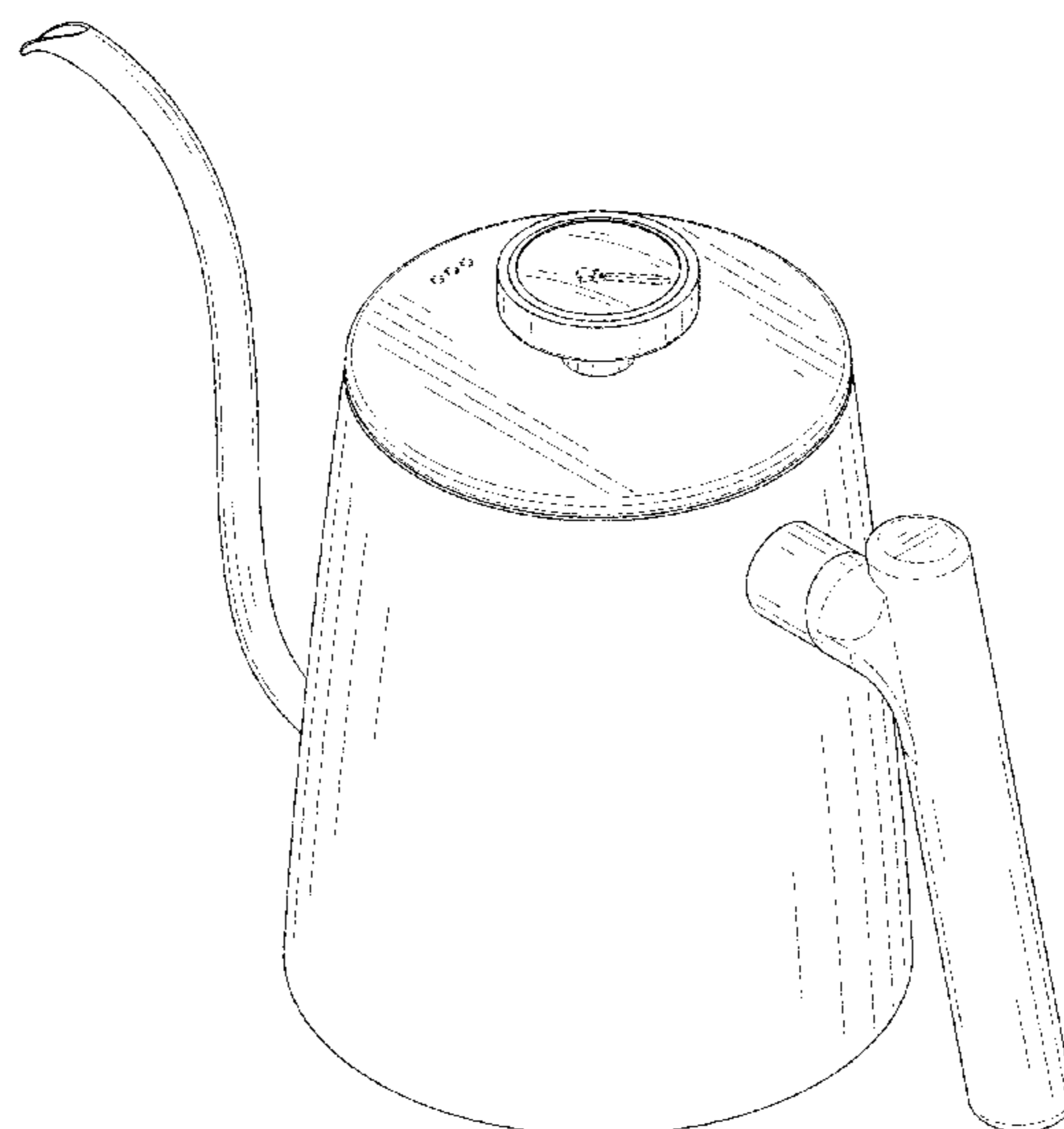
The ornamental design for a coffee kettle, as shown and described.

DESCRIPTION

FIG. 1 is a front and top perspective view of a coffee kettle, showing my design.
FIG. 2 is a rear and bottom perspective view thereof.
FIG. 3 is a front elevation view thereof.
FIG. 4 is a rear elevation view thereof.
FIG. 5 is a left side elevation view thereof.
FIG. 6 is a right side elevation view thereof.
FIG. 7 is a top plan view thereof; and,
FIG. 8 is a bottom plan view thereof.
The broken lines in the drawings depict environmental structure and form no part of the claimed design.

1 Claim, 8 Drawing Sheets

(56) **References Cited**
U.S. PATENT DOCUMENTS
D638,248 S * 5/2011 Lebowitz D7/322
D796,888 S * 9/2017 Miller D7/312
D828,070 S * 9/2018 Wastney D7/321
D834,884 S * 12/2018 McConnell D7/397
D861,408 S * 10/2019 Hagger G05D 23/22
D7/312
D862,147 S * 10/2019 Hagger D7/312
D862,160 S * 10/2019 McConnell D7/399
D874,206 S * 2/2020 Shir D7/312
D884,409 S * 5/2020 Bodum D7/312
D885,110 S * 5/2020 Katsunuma A47J 27/21191
D7/312



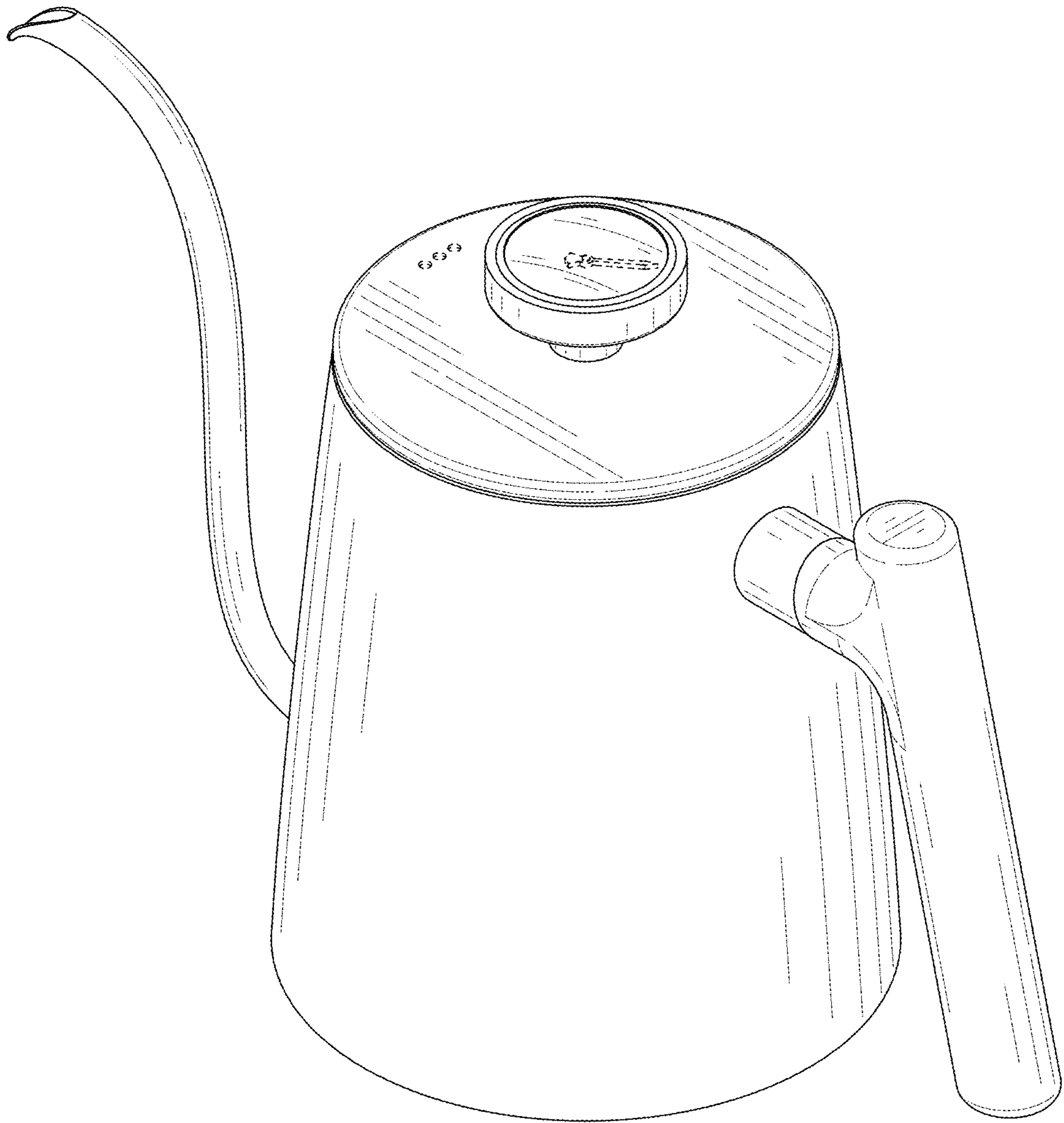


FIG. 1

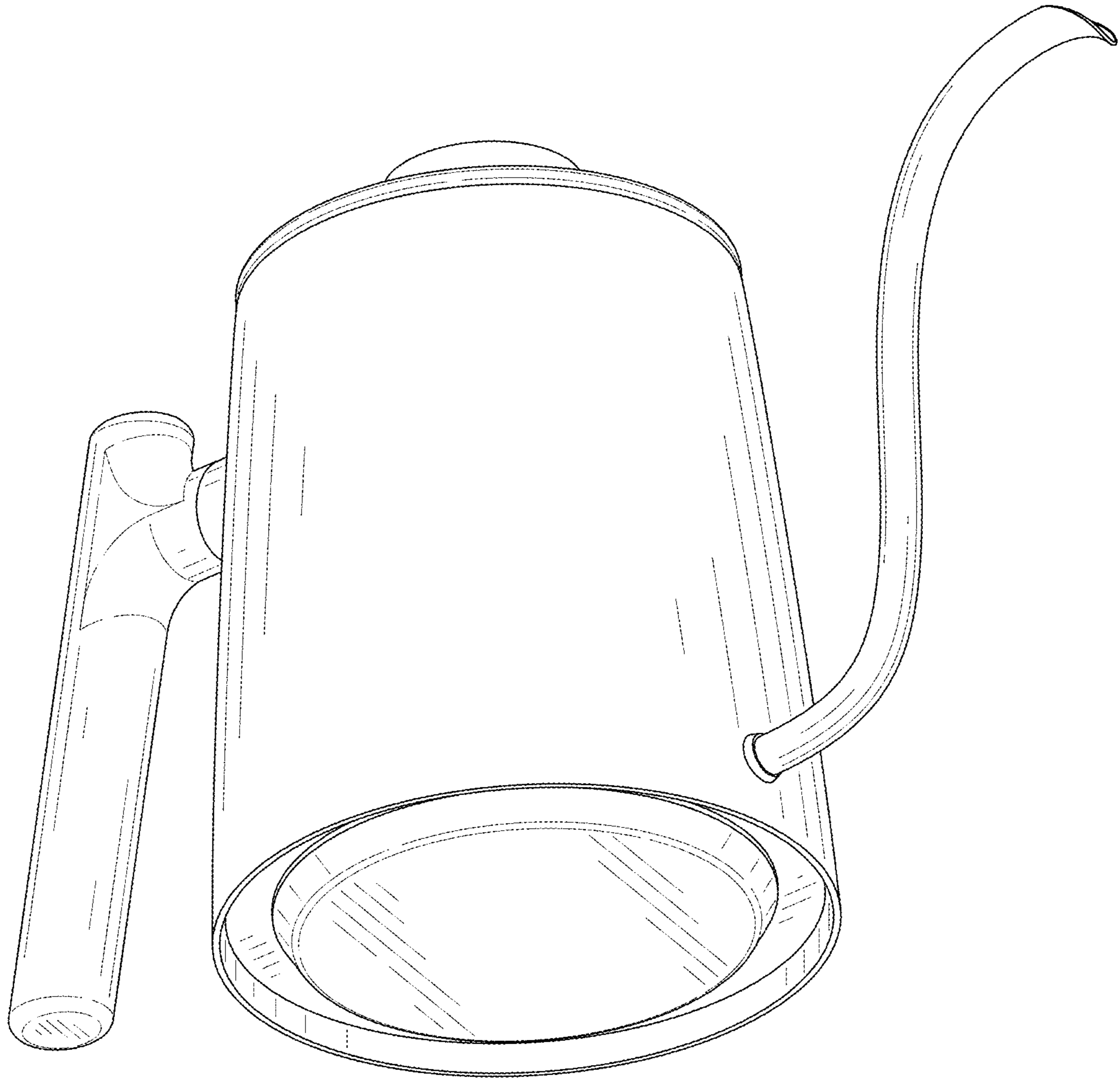


FIG. 2

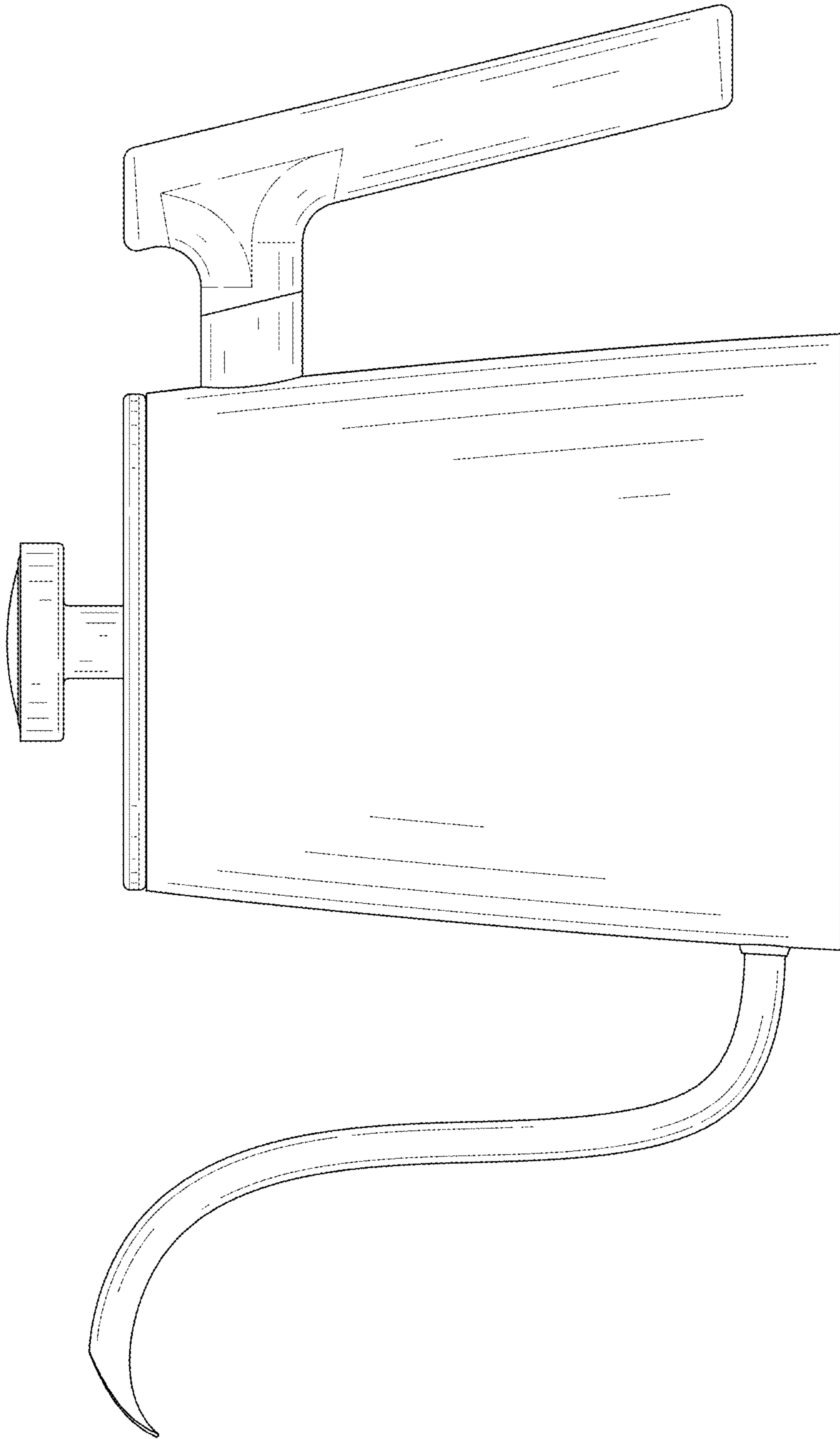


FIG. 3

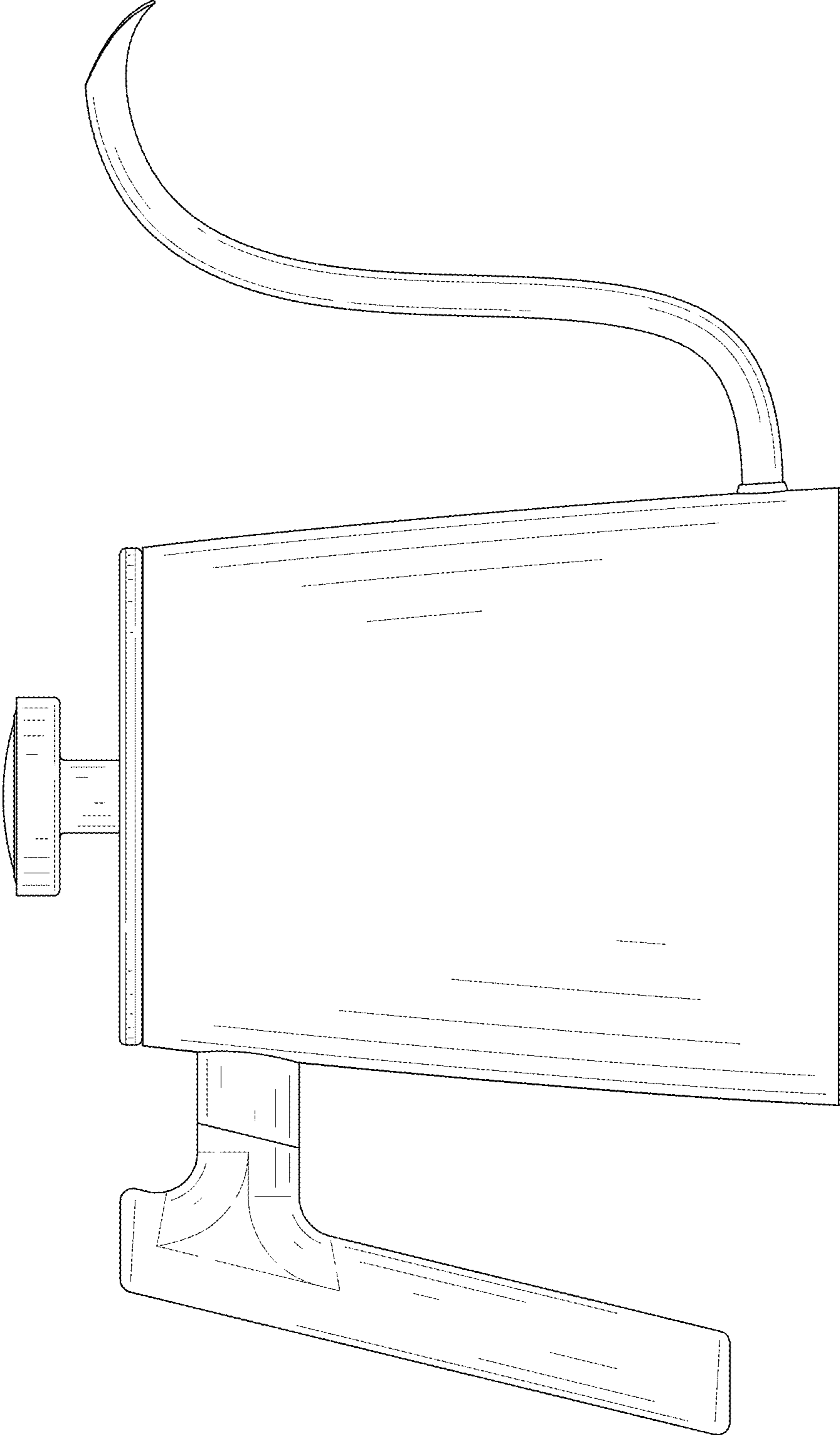


FIG. 4

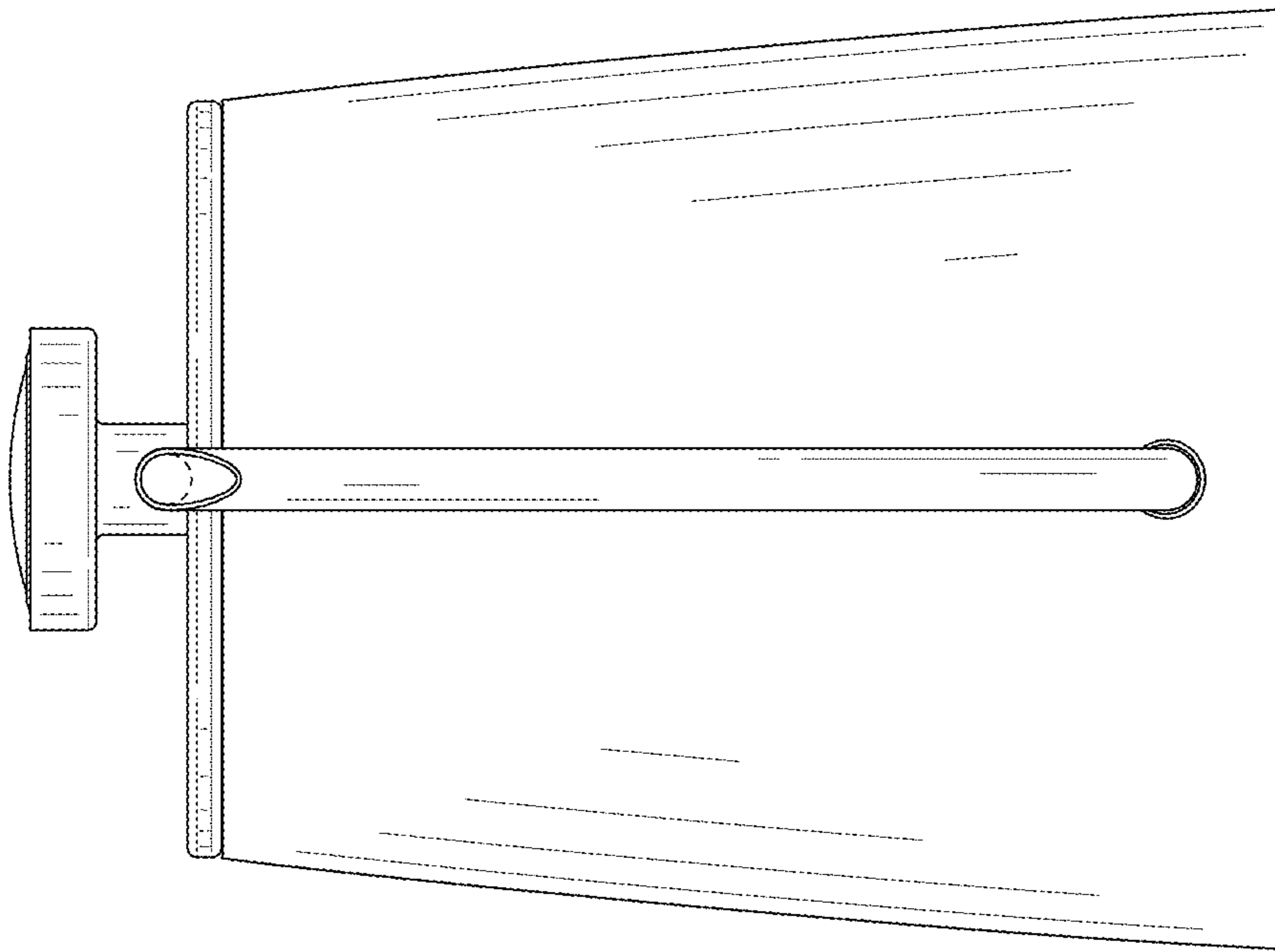


FIG. 5

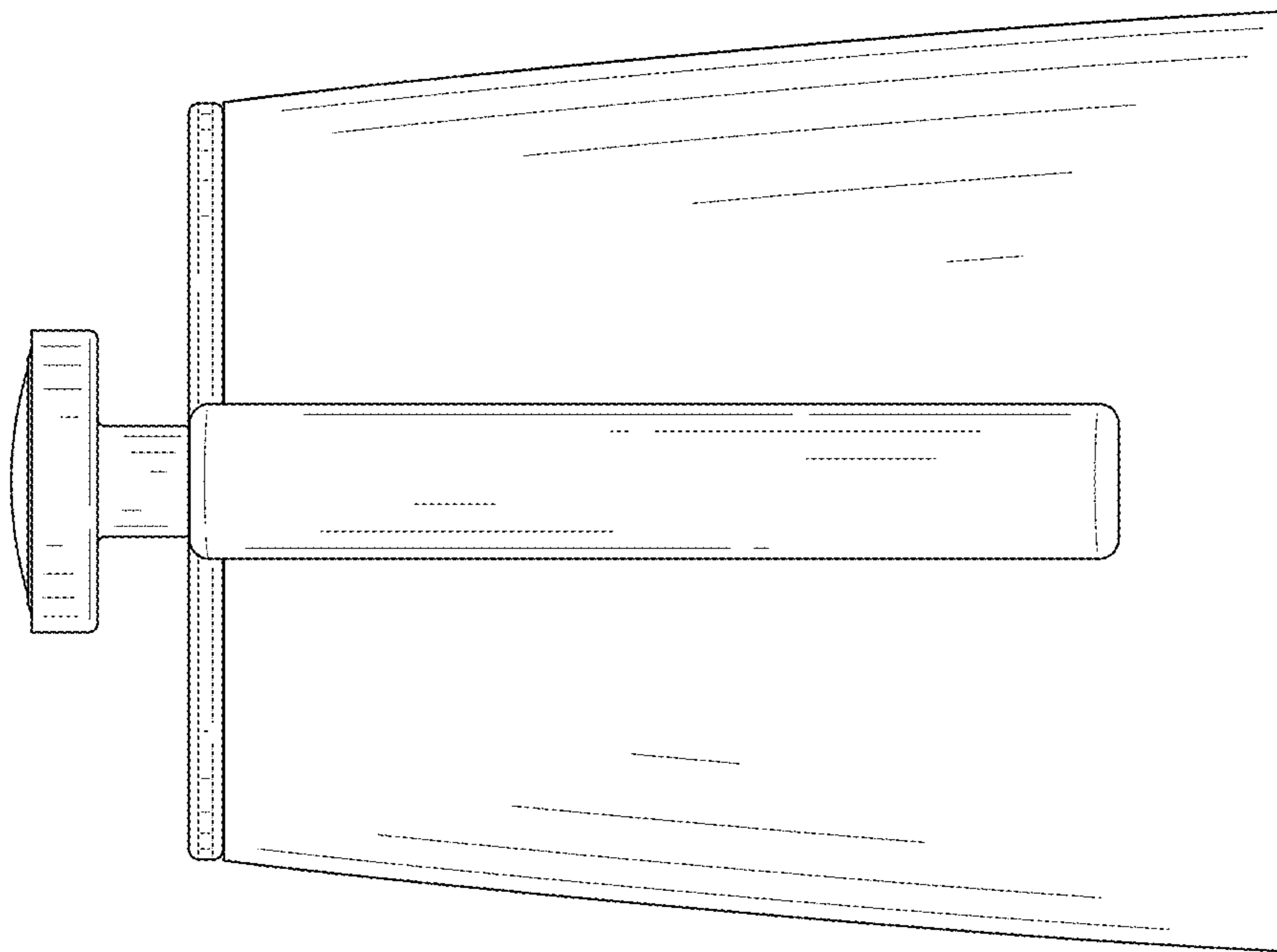


FIG. 6

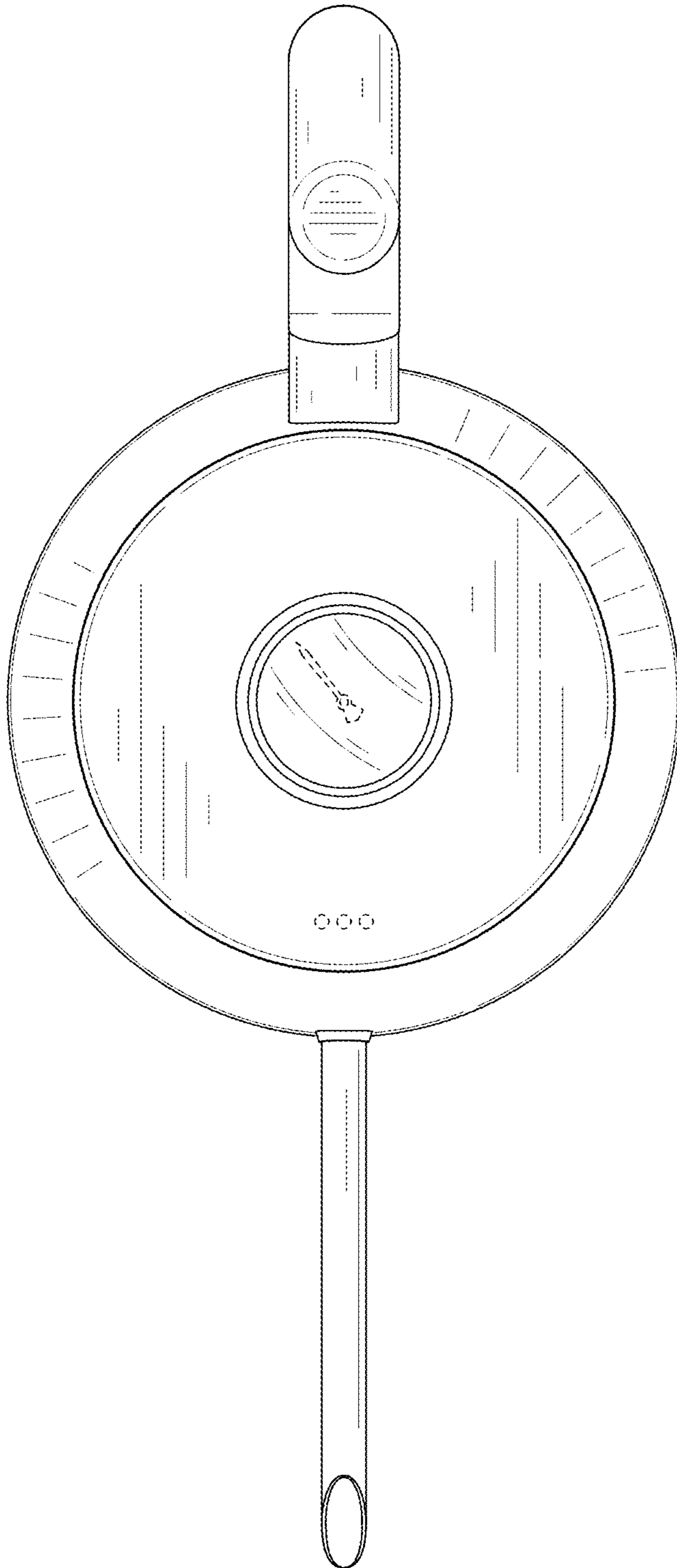


FIG. 7

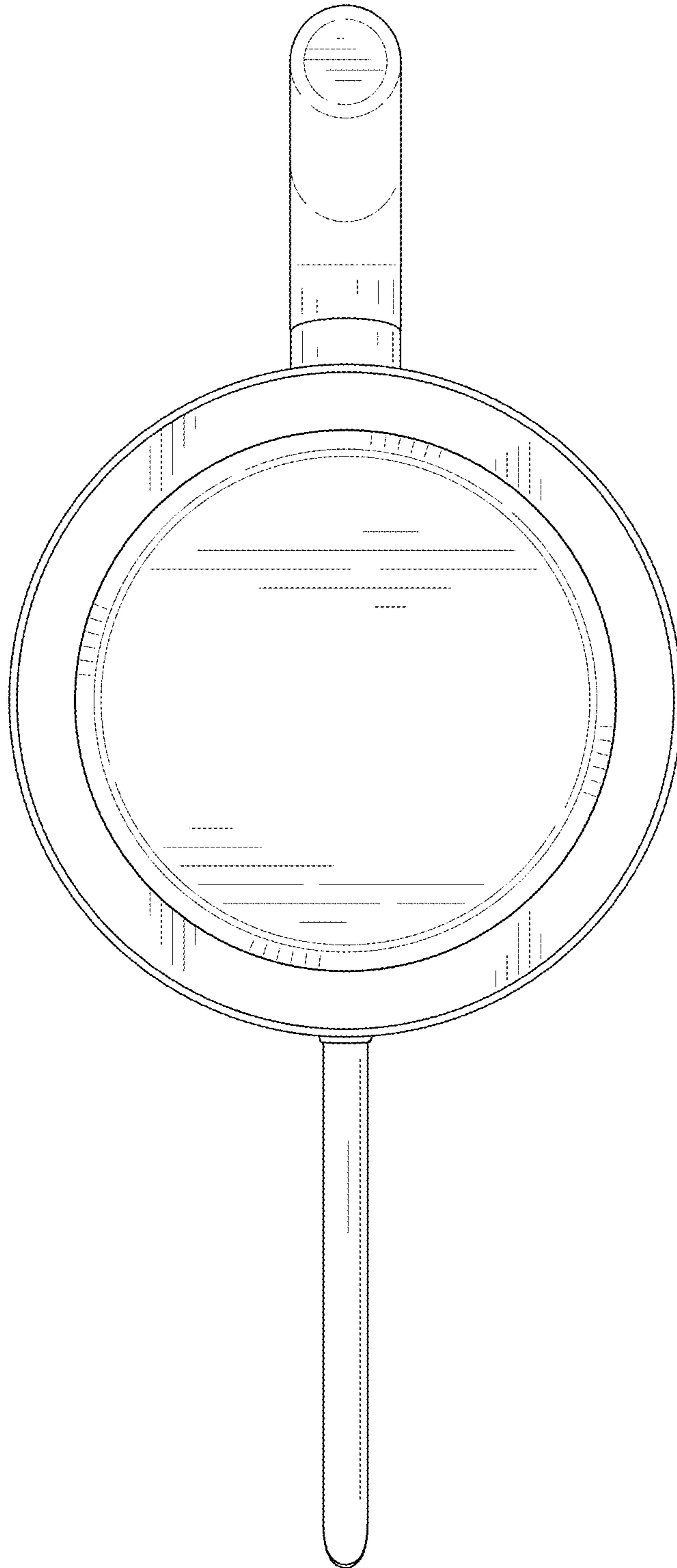


FIG. 8