



US00D987350S

(12) **United States Design Patent** (10) **Patent No.:** **US D987,350 S**
Walraven et al. (45) **Date of Patent:** **** May 30, 2023**

(54) **COFFEEMAKER**
 (71) Applicant: **Hamilton Beach Brands, Inc.**, Glen Allen, VA (US)
 (72) Inventors: **Patrick Walraven**, Richmond, VA (US); **Scott Henderson**, Brooklyn, NY (US)
 (73) Assignee: **Hamilton Beach Brands, Inc.**, Glen Allen, VA (US)

D454,023 S * 3/2002 Wang D7/311
 D501,623 S * 2/2005 Lin D7/311
 D541,097 S * 4/2007 Leverrier D7/307
 D615,339 S * 5/2010 Bronwasser D7/311
 D628,007 S * 11/2010 Di Bitonto D7/311
 D656,771 S * 4/2012 Bronwasser D7/311
 D675,471 S * 2/2013 Averty D7/311
 D675,677 S * 2/2013 Barili D20/4
 D792,739 S * 7/2017 Palermo D7/397
 D823,039 S * 7/2018 Grassia D7/311
 D885,817 S * 6/2020 Ye D7/311

(**) Term: **15 Years**

(21) Appl. No.: **29/741,242**

(22) Filed: **Jul. 10, 2020**

(51) **LOC (14) Cl.** **07-02**

(52) **U.S. Cl.**
 USPC **D7/309; D7/311; D7/313**

(58) **Field of Classification Search**
 USPC D7/300, 306–313, 397–401; D23/207, D23/209

CPC A47J 31/005; A47J 31/04; A47J 31/043; A47J 31/057; A47J 31/0573; A47J 31/0663; A47J 31/0668; A47J 31/24; A47J 31/40; C02F 2307/10

See application file for complete search history.

(56) **References Cited**

U.S. PATENT DOCUMENTS

D265,041 S * 6/1982 Lee D7/309
 D267,325 S * 12/1982 Zimmerman D7/309
 D342,860 S * 1/1994 Azpiri D7/311
 D348,585 S * 7/1994 Sham D7/311
 D411,403 S * 6/1999 Guddefin D7/311

FOREIGN PATENT DOCUMENTS

CN 304307601 * 10/2017
 CN 305198374 * 6/2019

* cited by examiner

Primary Examiner — Joseph Kukella

Assistant Examiner — Arva P Adams

(74) *Attorney, Agent, or Firm* — Alexander D. Raring

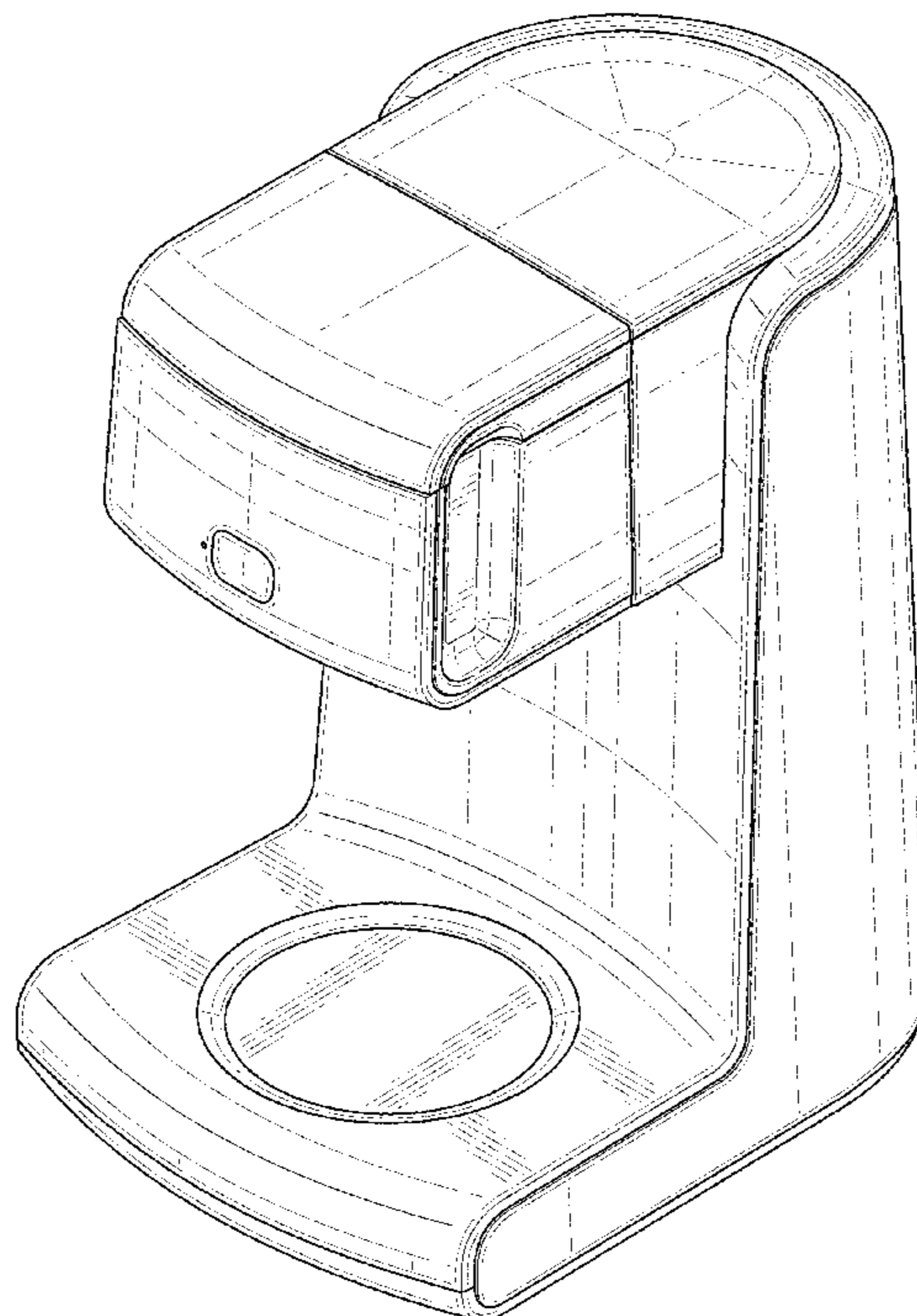
(57) **CLAIM**

The ornamental design for a coffeemaker, as shown and described.

DESCRIPTION

FIG. 1 is a top, right and front perspective view of a coffeemaker showing the new design;
 FIG. 2 is a front view thereof;
 FIG. 3 is a rear view thereof;
 FIG. 4 is a left side view thereof;
 FIG. 5 is a right side view thereof;
 FIG. 6 is a top view thereof; and,
 FIG. 7 is a bottom view thereof.

1 Claim, 7 Drawing Sheets



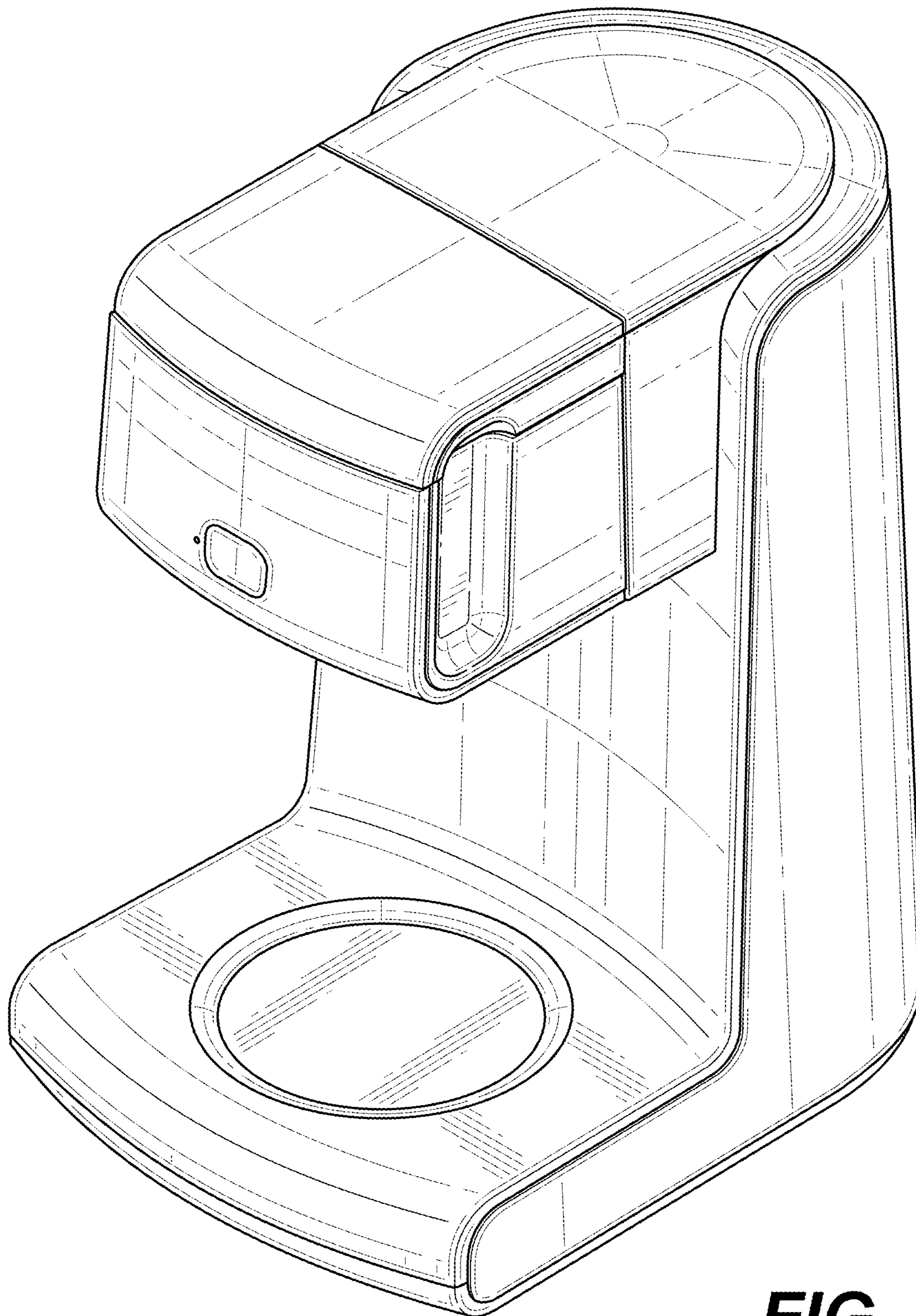


FIG. 1

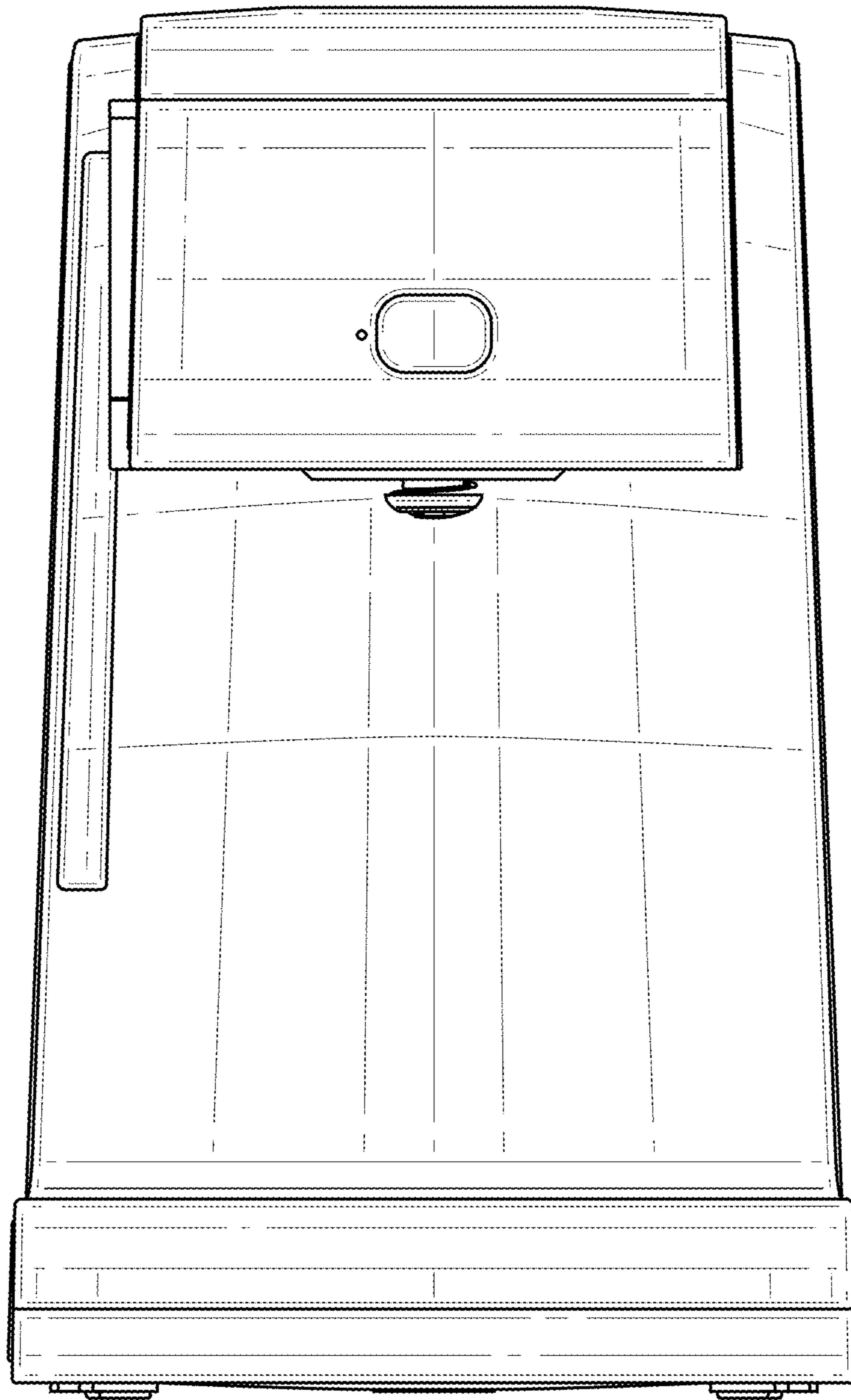


FIG. 2

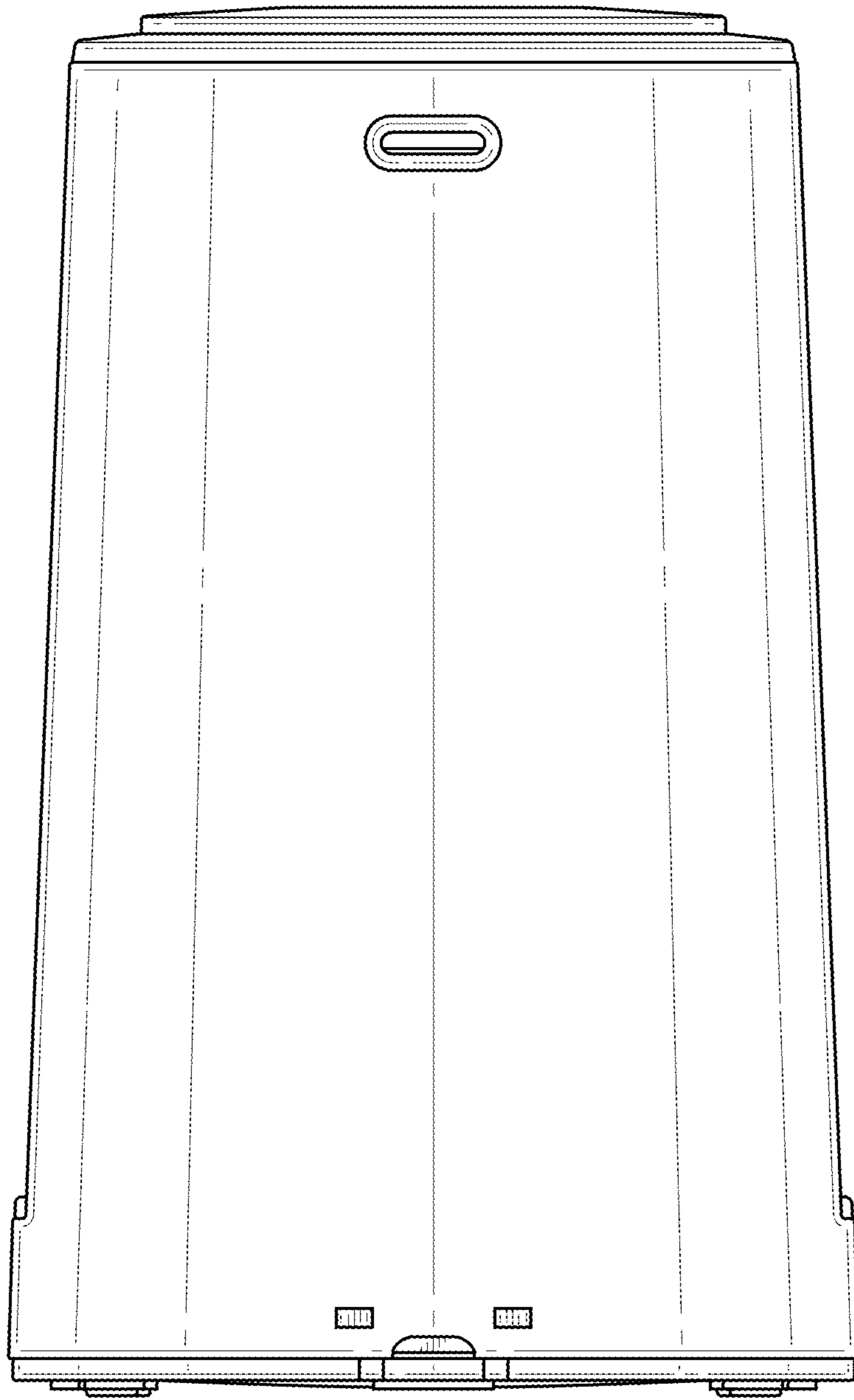


FIG. 3

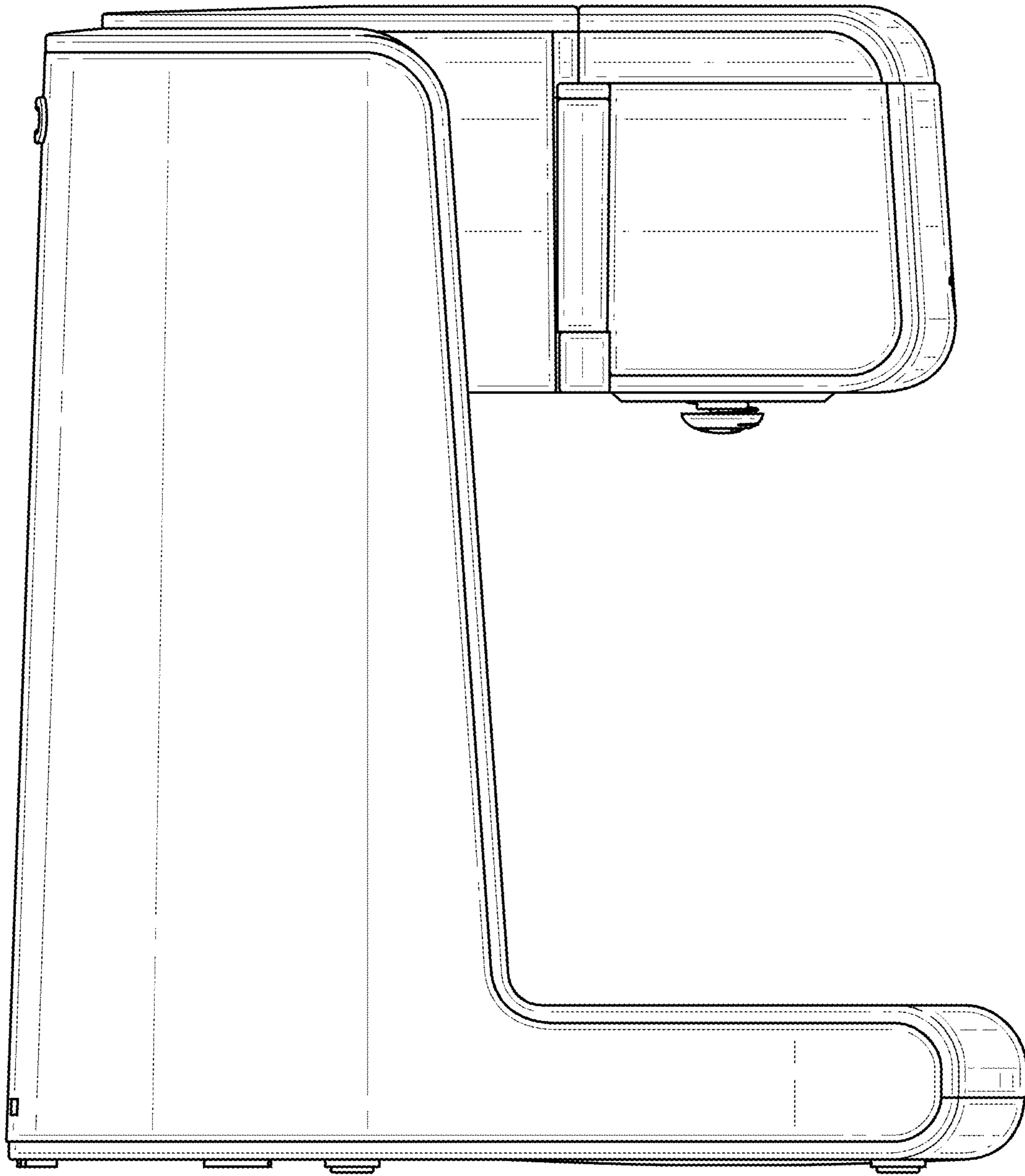


FIG. 4

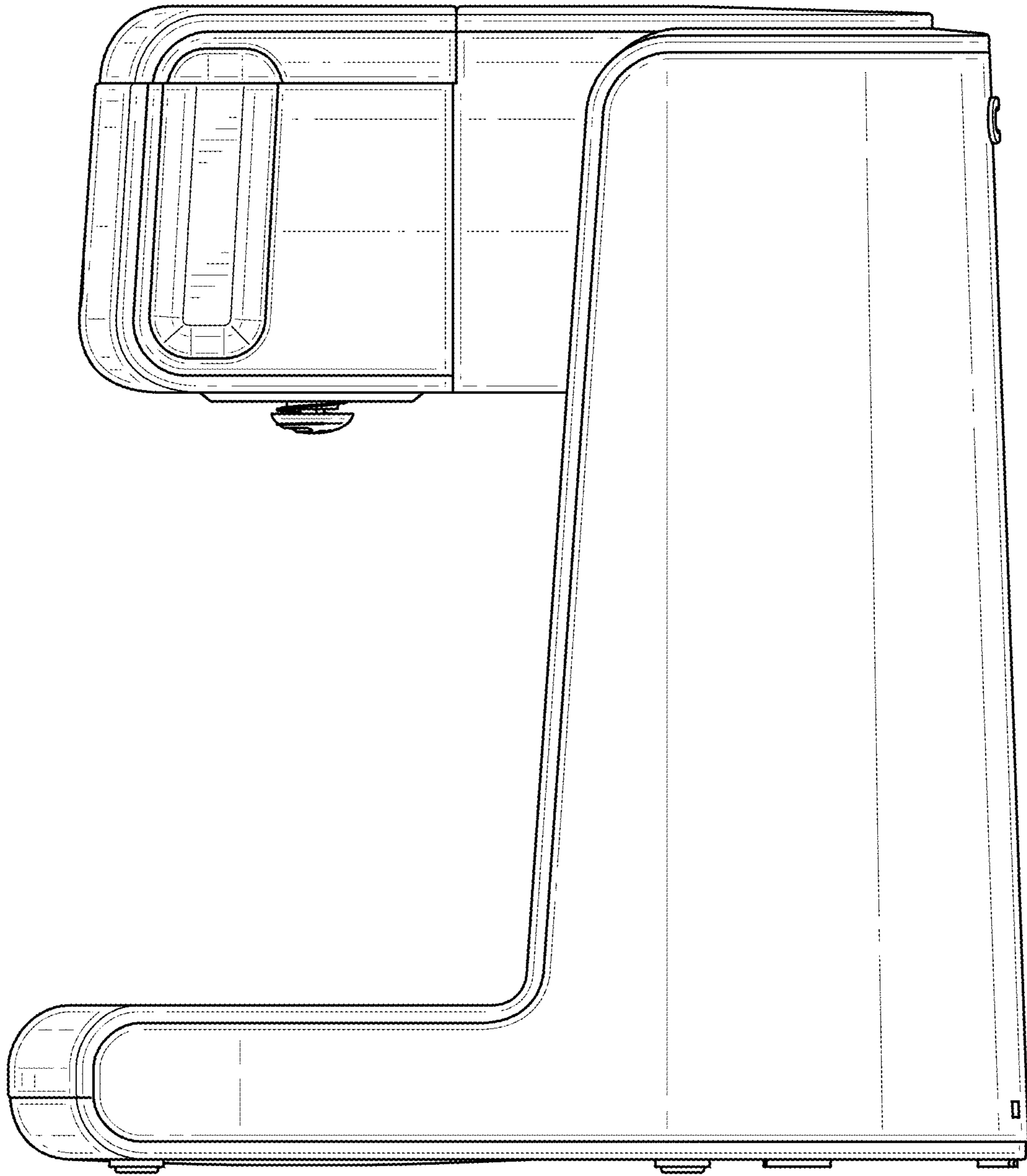


FIG. 5

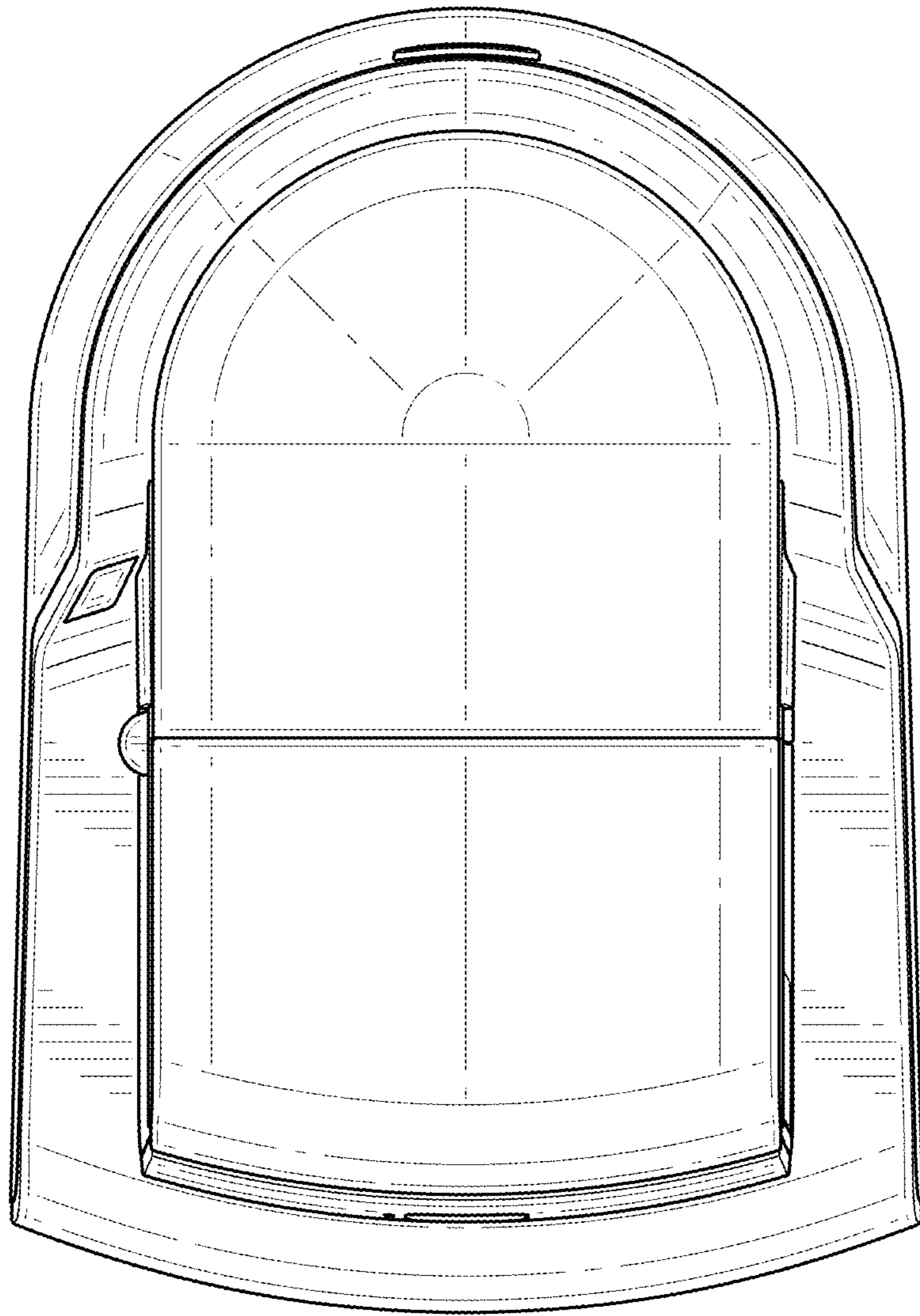


FIG. 6

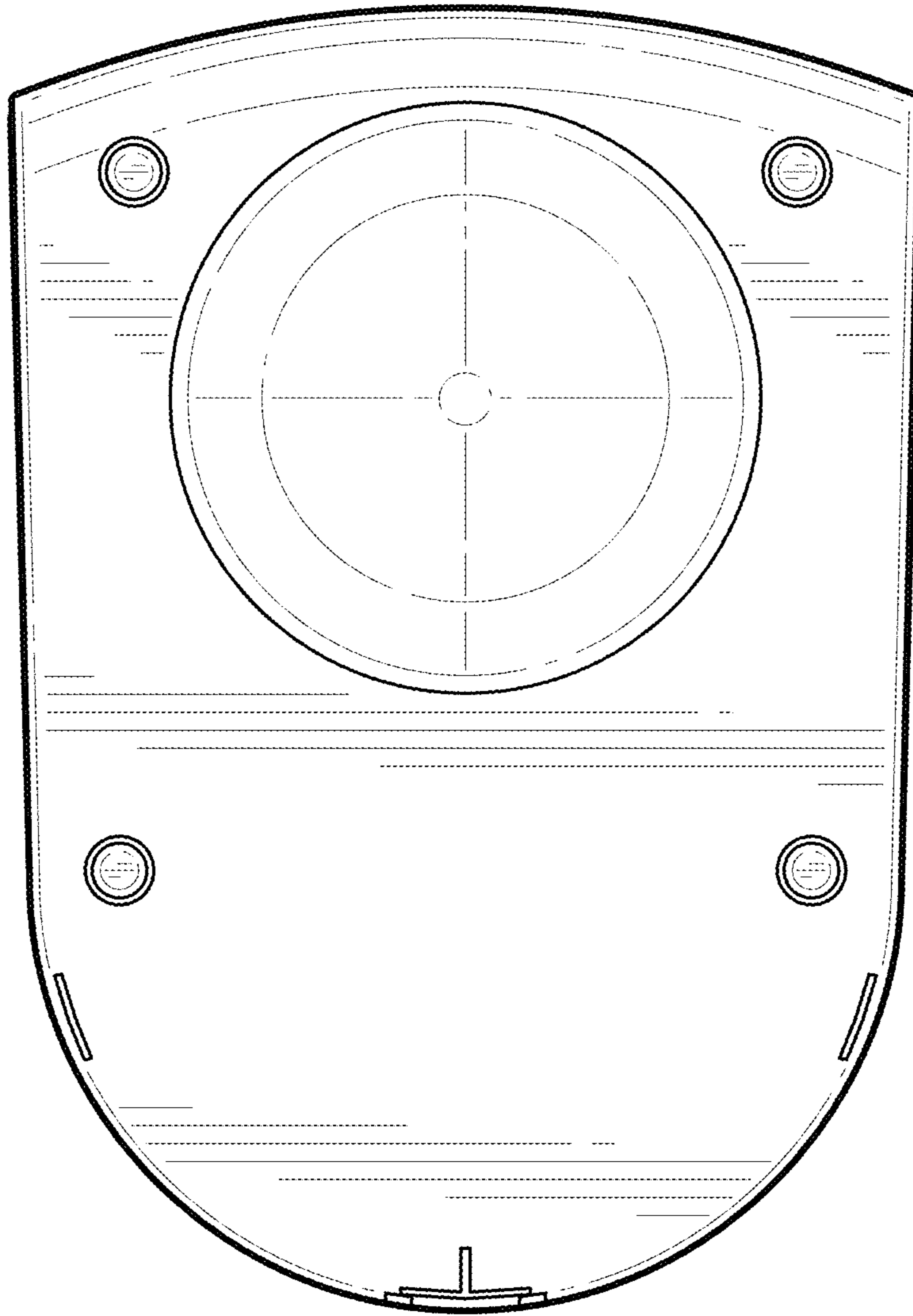


FIG. 7