



US00D987348S

(12) **United States Design Patent**
Schweikarth

(10) **Patent No.:** **US D987,348 S**

(45) **Date of Patent:** **** May 30, 2023**

(54) **LOUNGE**

(71) Applicant: **Kimball International, Inc.**, Jasper, IN (US)

(72) Inventor: **Derek Schweikarth**, Celestine, IN (US)

(73) Assignee: **Kimball International, Inc.**, Jasper, IN (US)

(**) Term: **15 Years**

(21) Appl. No.: **29/736,332**

(22) Filed: **May 29, 2020**

(51) **LOC (14) Cl.** **06-01**

(52) **U.S. Cl.**
USPC **D6/717; D6/364**

(58) **Field of Classification Search**
USPC **D6/334-336, 364, 371, 373, 374, 375, D6/377, 381, 716, 716.1, 716.2, 716.4, D6/717**

CPC **A47C 3/16; A47C 7/00; A47C 7/18; A47C 7/24; A47C 7/38; A47C 7/40; A47C 7/54; A47C 17/00; A47C 17/02; A47C 17/132; A47C 11/00; A47C 11/05**

See application file for complete search history.

(56) **References Cited**

U.S. PATENT DOCUMENTS

D132,793 S * 6/1942 Reiss D6/364
D248,802 S * 8/1978 Iselin D6/364

D586,590 S * 2/2009 Schweikarth D6/716
D671,341 S * 11/2012 Metcalf D6/717
D725,396 S * 3/2015 Lee D6/371
D751,310 S * 3/2016 Schroeder D6/364
D756,673 S * 5/2016 Schweikarth D6/334
D770,822 S * 11/2016 Schweikarth D6/716
D811,756 S * 3/2018 Woods D6/334
D816,361 S * 5/2018 Newhouse D6/364
D908,384 S * 1/2021 Davidson D6/371
D925,933 S * 7/2021 Dismore D6/334
D931,006 S * 9/2021 Killinger D6/381

* cited by examiner

Primary Examiner — Mimosa De

(74) *Attorney, Agent, or Firm* — Faegre Drinker Biddle & Reath LLP

(57) **CLAIM**

The ornamental design for a lounge, as shown and described.

DESCRIPTION

FIG. 1 is a front perspective view of a lounge according to a first embodiment, the broken lines indicating variable width;

FIG. 2 is a front view thereof;

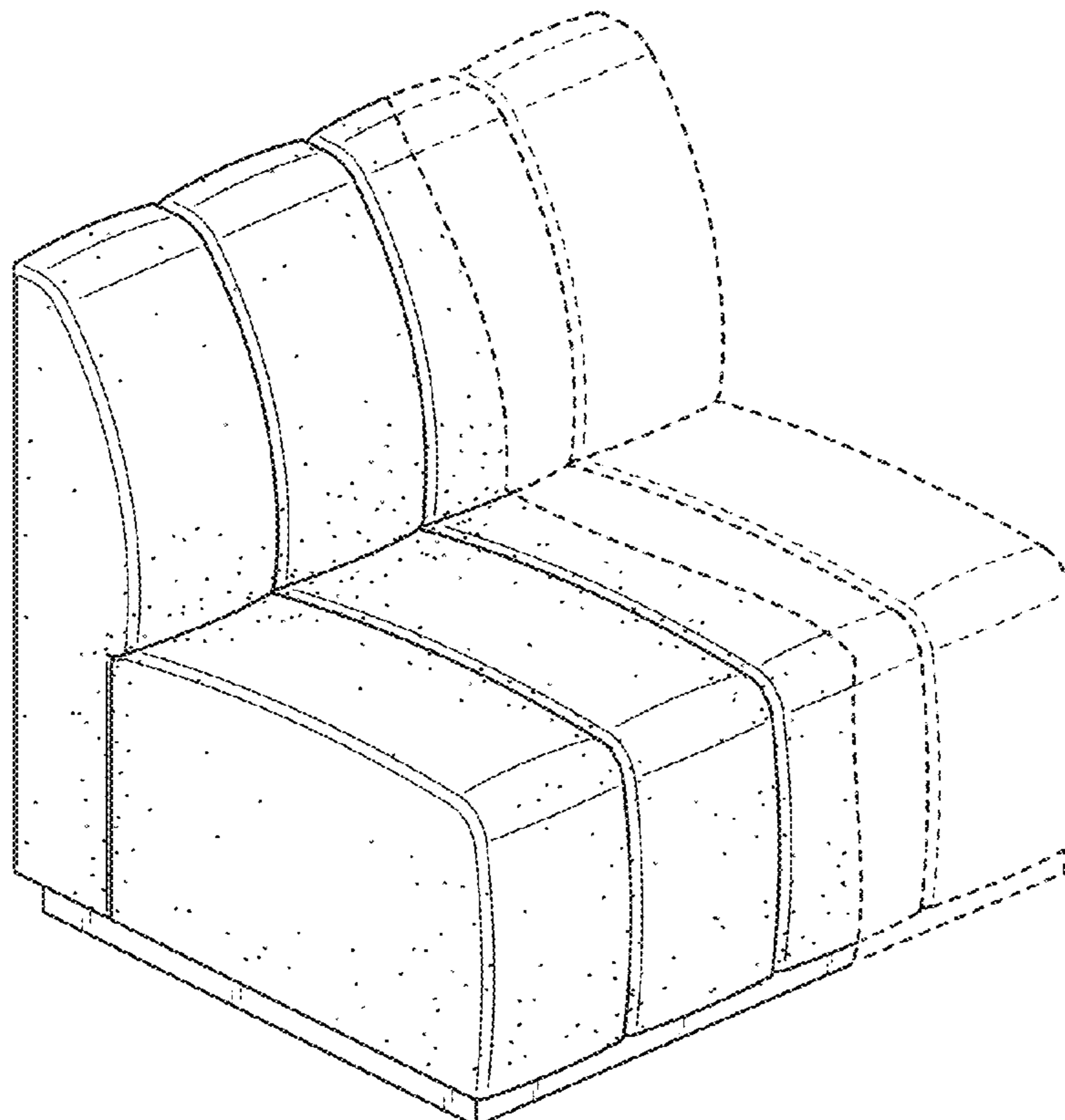
FIG. 3 is a rear view thereof;

FIG. 4 is a side view thereof; and,

FIG. 5 is a top view thereof.

Features shown in broken lines form no part of the claimed design.

1 Claim, 5 Drawing Sheets



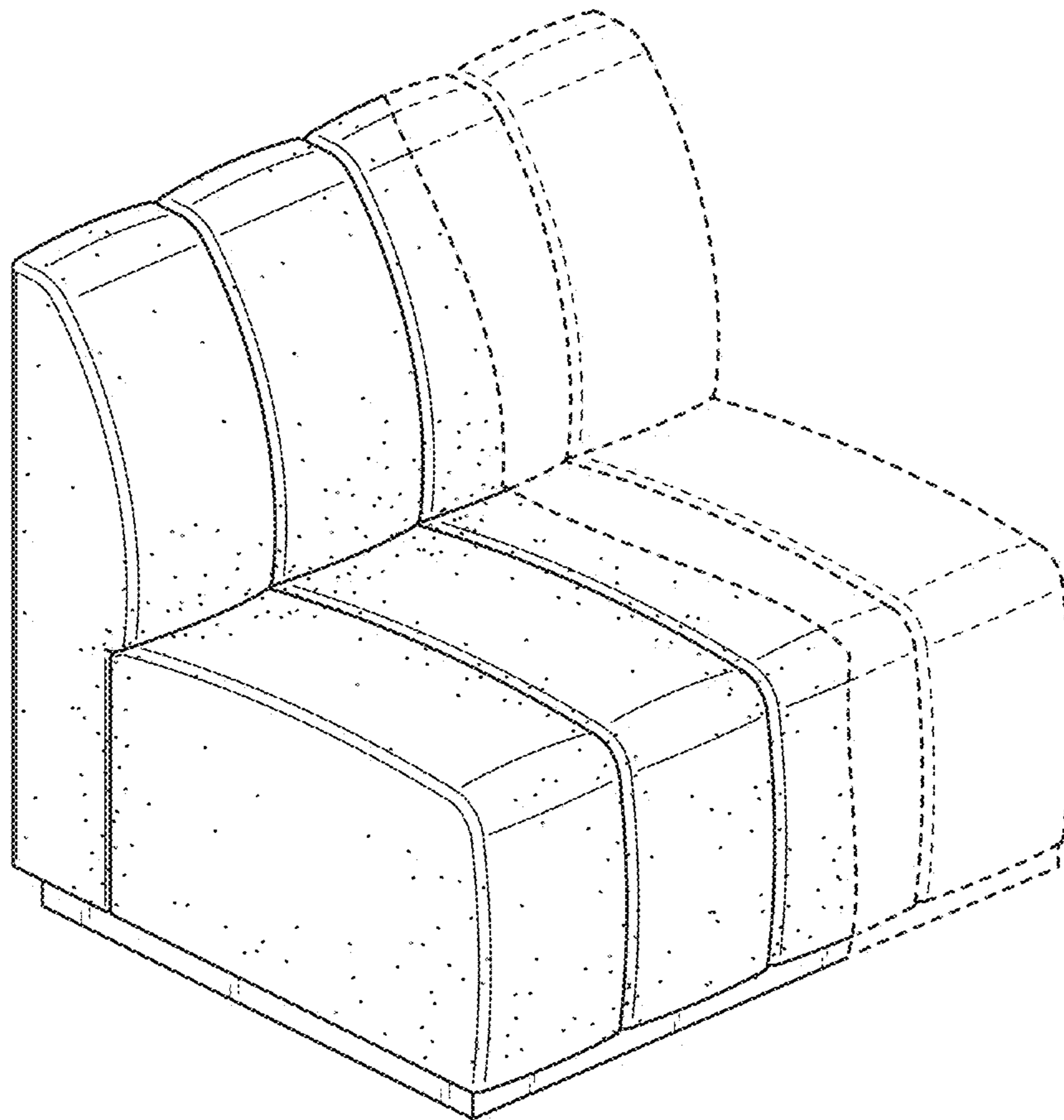


FIG. 1

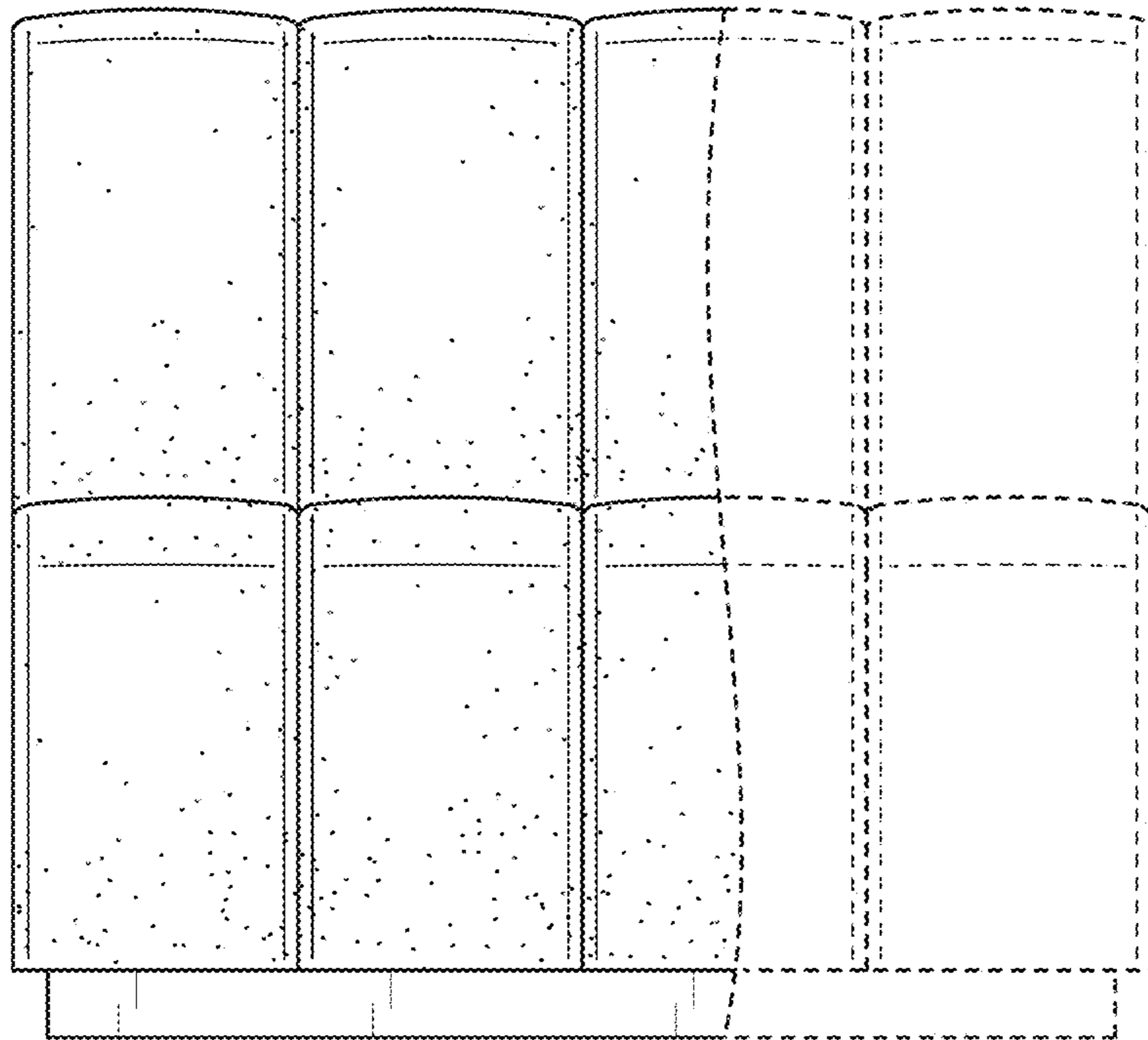


FIG. 2

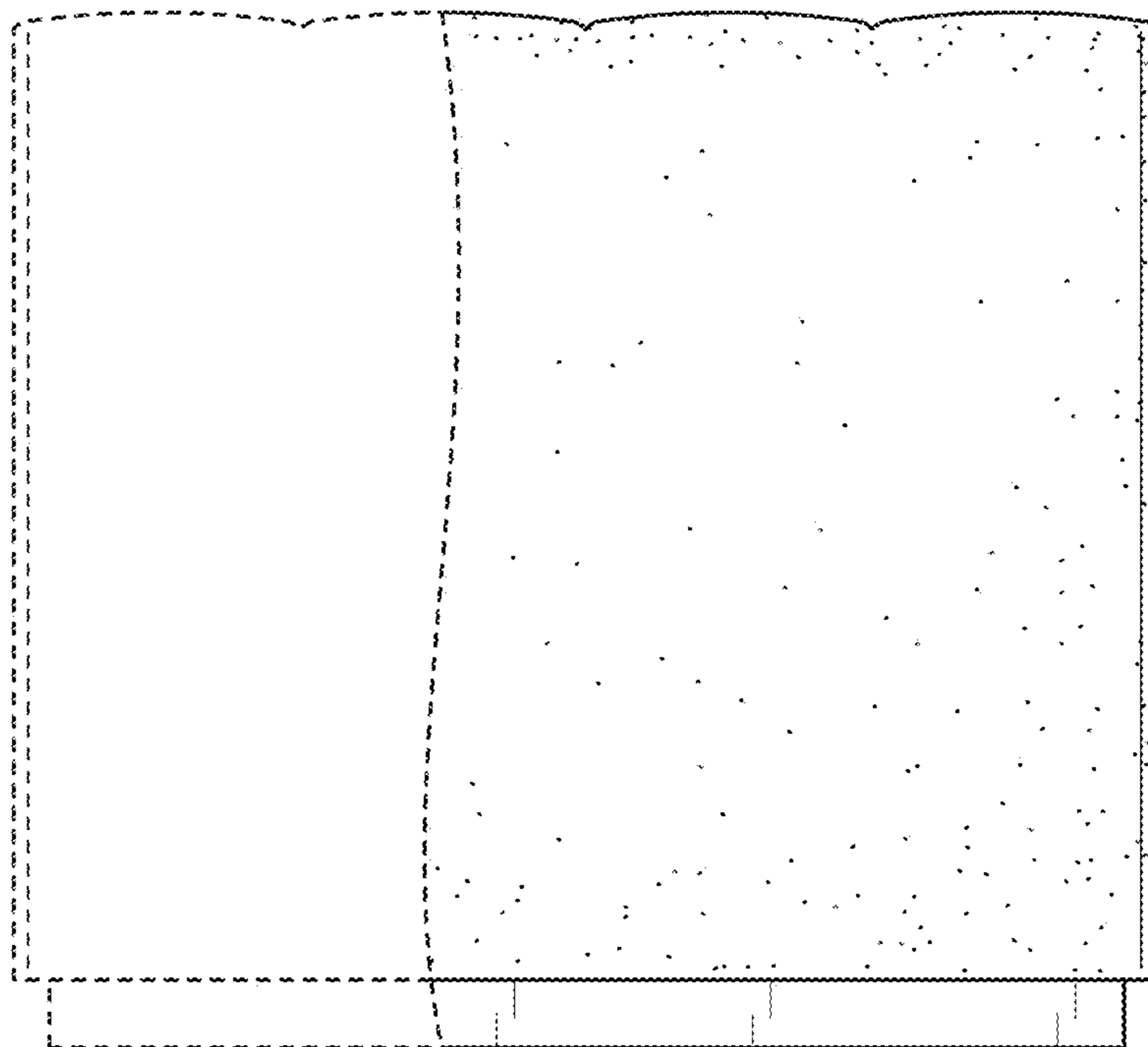


FIG. 3

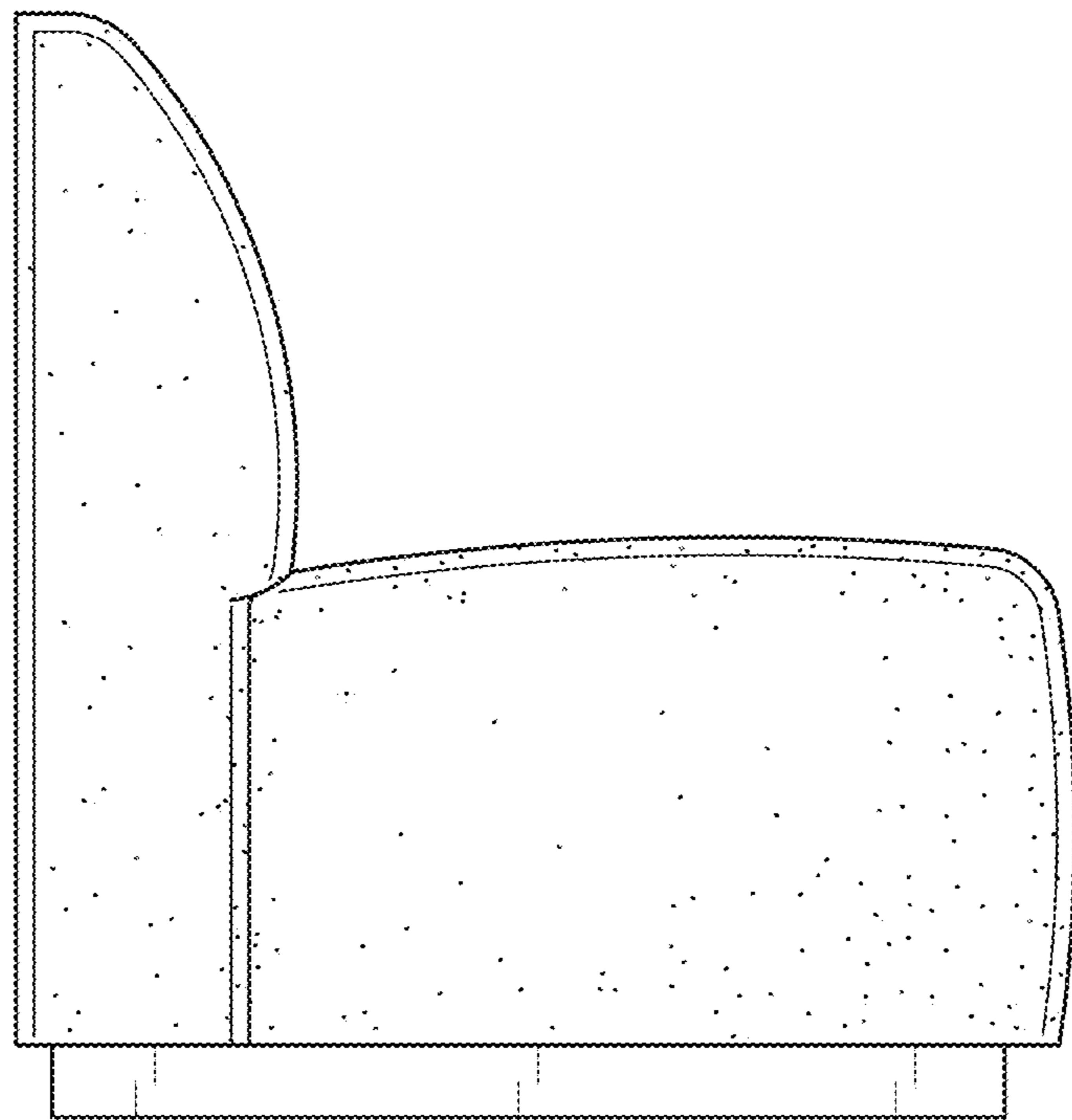


FIG. 4

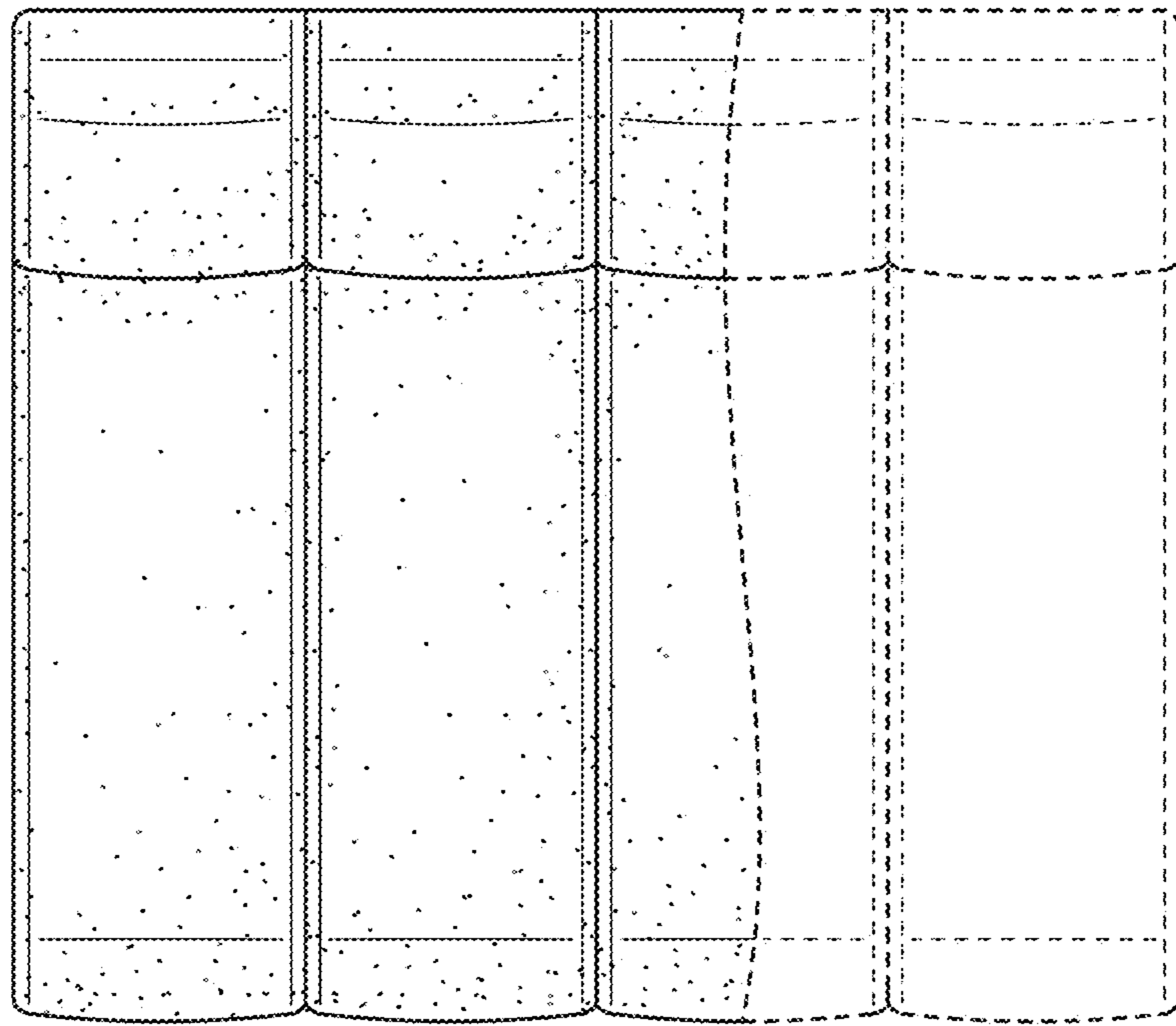


FIG. 5