



US00D987346S

(12) **United States Design Patent**
Hung

(10) **Patent No.:** **US D987,346 S**

(45) **Date of Patent:** **** May 30, 2023**

(54) **TROLLEY BASE**

(71) Applicant: **MODERNSOLID INDUSTRIAL CO., LTD.**, Taichung (TW)

(72) Inventor: **Chin-Jui Hung**, Taichung (TW)

(73) Assignee: **MODERNSOLID INDUSTRIAL CO., LTD.**, Taichung (TW)

(**) Term: **15 Years**

(21) Appl. No.: **29/747,242**

(22) Filed: **Aug. 20, 2020**

(30) **Foreign Application Priority Data**

Feb. 25, 2020 (TW) 109300895

(51) **LOC (14) Cl.** **06-06**

(52) **U.S. Cl.**
USPC **D6/708.23**

(58) **Field of Classification Search**
USPC ... D6/365, 366, 641, 656, 656.13, 702, 708,
D6/708.16, 708.17, 708.22-708.24;
D24/185; D34/17

CPC A47B 13/00; A47B 13/003; A47B 13/02;
A47B 13/06; A47B 33/00; A47B 33/02;
A47B 33/12; A47B 2200/002; A47B
2200/0022; A47B 2200/0023

See application file for complete search history.

(56) **References Cited**

U.S. PATENT DOCUMENTS

D303,191 S * 9/1989 Schwartz D24/185
D391,089 S * 2/1998 Chu D6/366
D557,043 S * 12/2007 Egger D6/708.23
D585,661 S * 2/2009 Betts D6/681.3

D606,202 S * 12/2009 Banryu D24/185
D650,615 S * 12/2011 Hazzard D6/708.24
D662,339 S * 6/2012 Hazzard D6/708.23
D665,603 S * 8/2012 Huang D6/708.23
D805,334 S * 12/2017 Itou D6/708.1
D923,180 S * 6/2021 St. Pierre D24/185
D923,799 S * 6/2021 St. Pierre D24/185

* cited by examiner

Primary Examiner — Mary Ann Calabrese

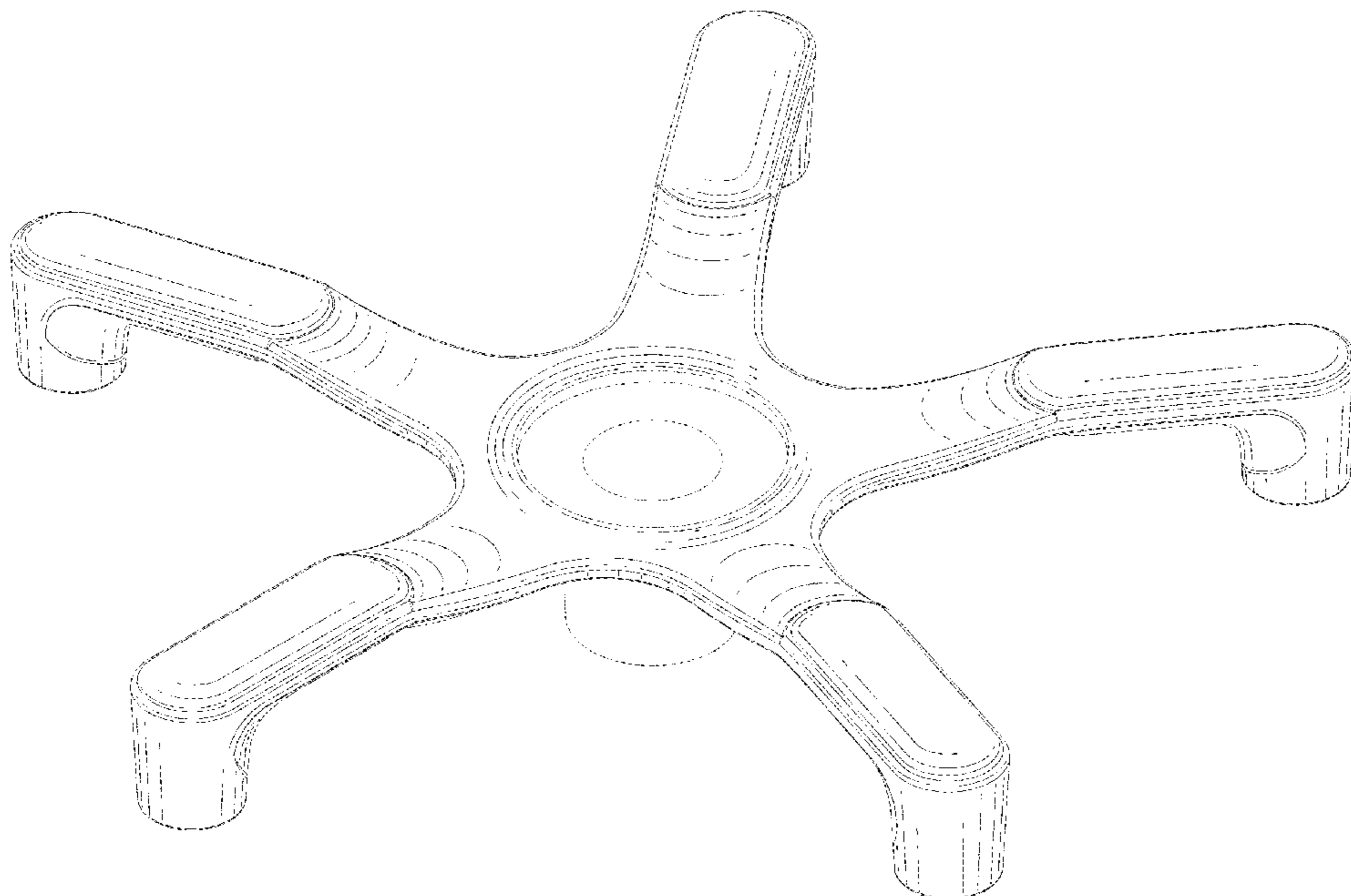
(57) **CLAIM**

The ornamental design for a trolley base, as shown and described.

DESCRIPTION

FIG. 1 is a perspective view of a trolley base showing my new design;
FIG. 2 is a front elevational view thereof;
FIG. 3 is a rear elevational view thereof;
FIG. 4 is a left side elevational view thereof;
FIG. 5 is a right side elevational view thereof;
FIG. 6 is a top plan view thereof;
FIG. 7 is a bottom plan view thereof;
FIG. 8 is a perspective view thereof, shown in a broken line environment of use;
FIG. 9 is a perspective view thereof, shown in an alternate broken line environment of use; and,
FIG. 10 is a perspective view thereof, shown in a second alternate broken line environment of use.
The broken lines depict portions of a trolley base in which the design is embodied that form no part of the claimed design. The broken lines depicting the environment of use for the trolley base in FIGS. 8-10 form no part of the claimed design.

1 Claim, 10 Drawing Sheets



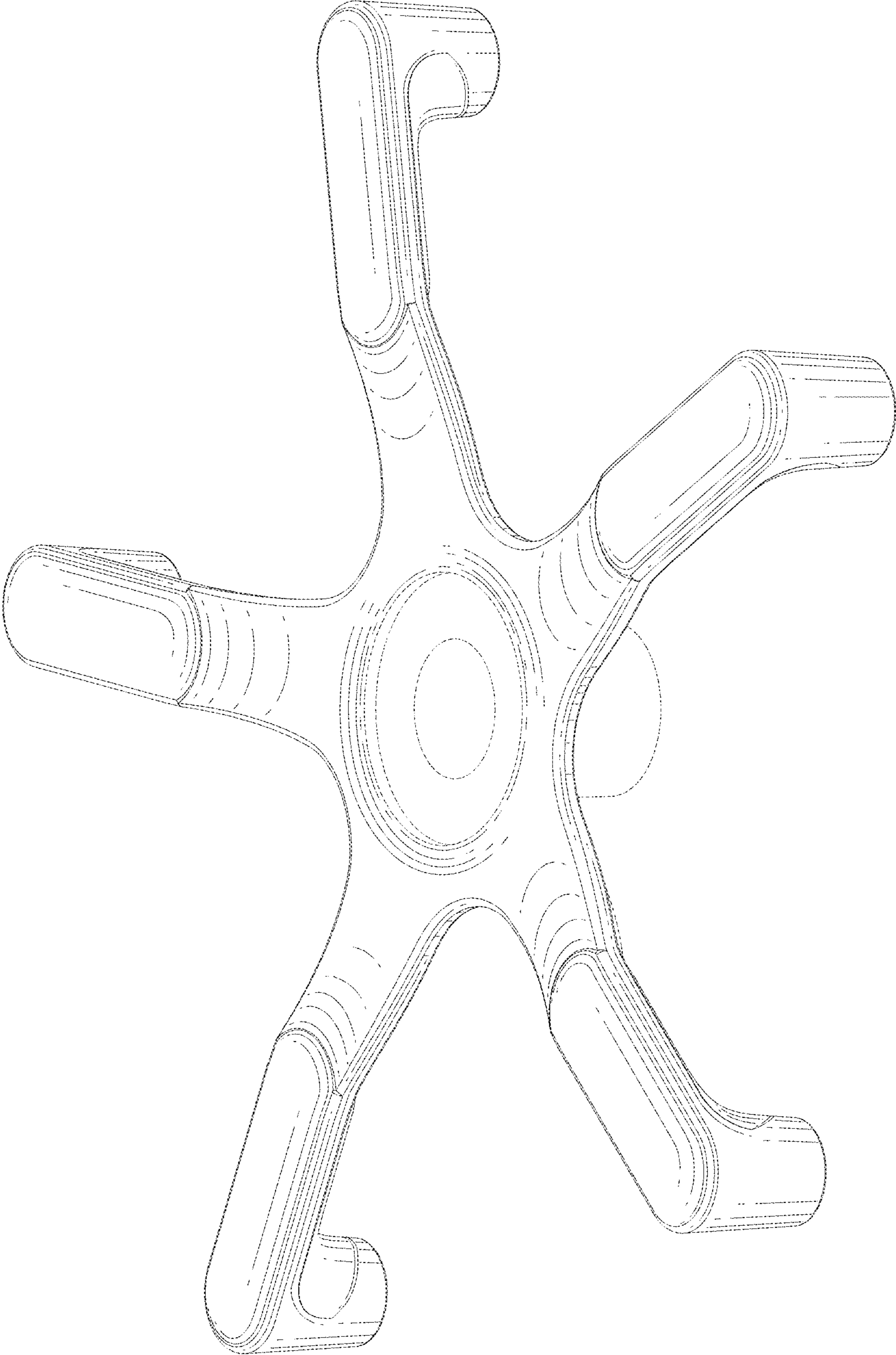


FIG. 1

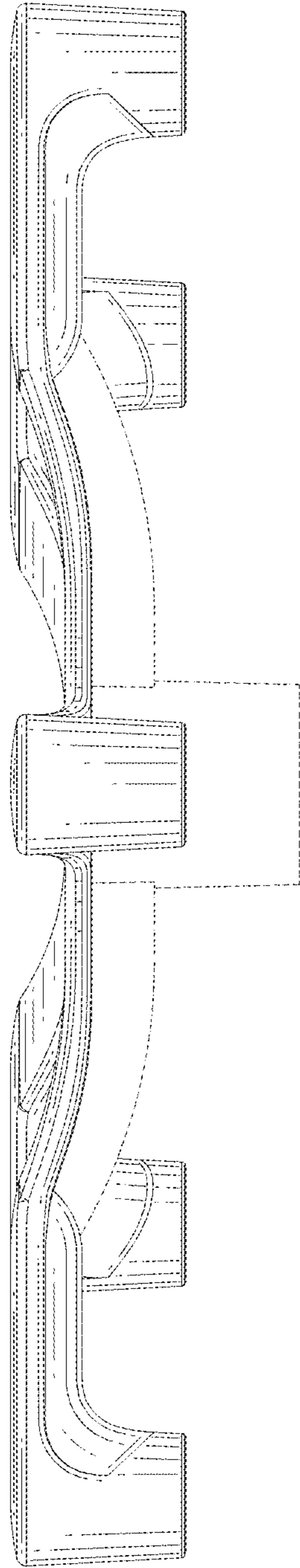


FIG. 2

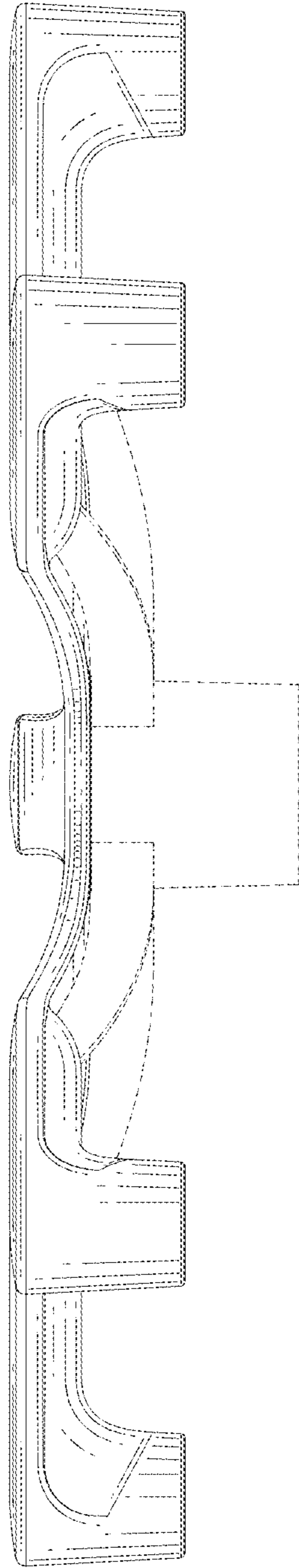


FIG. 3

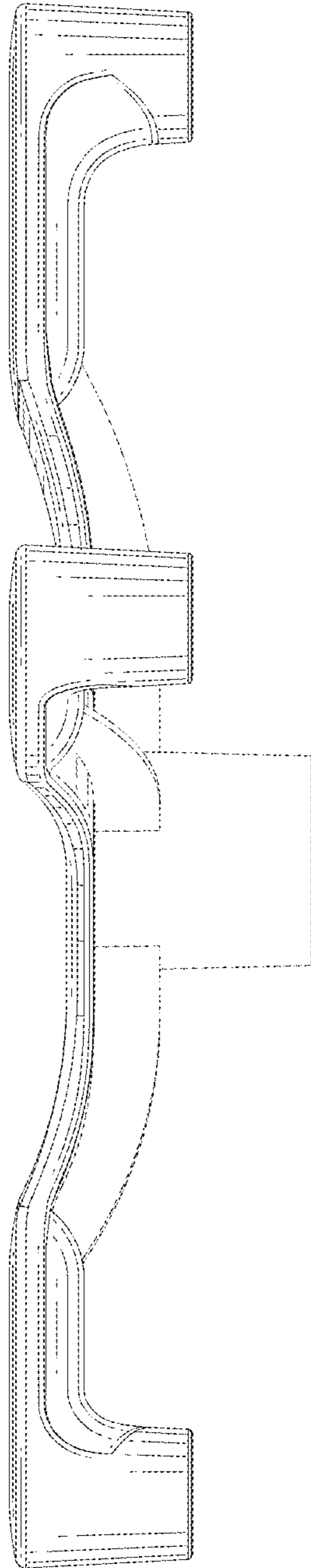


FIG. 4

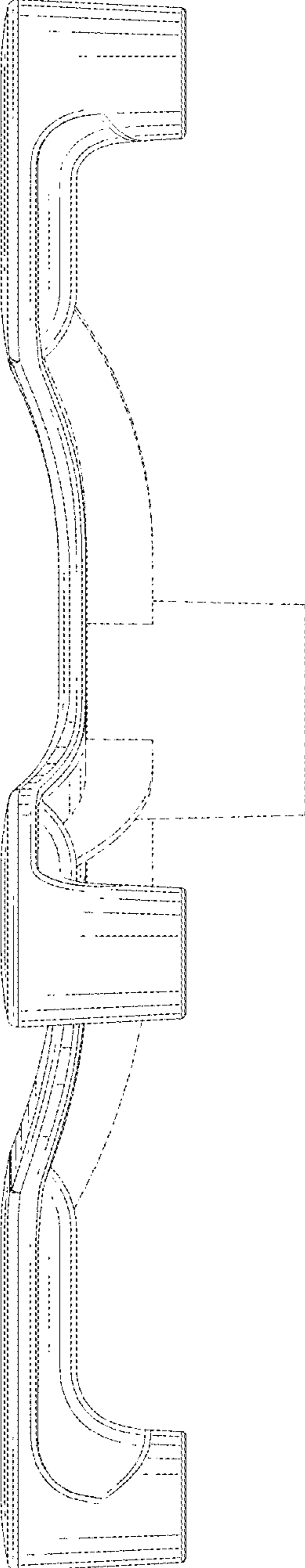


FIG. 5

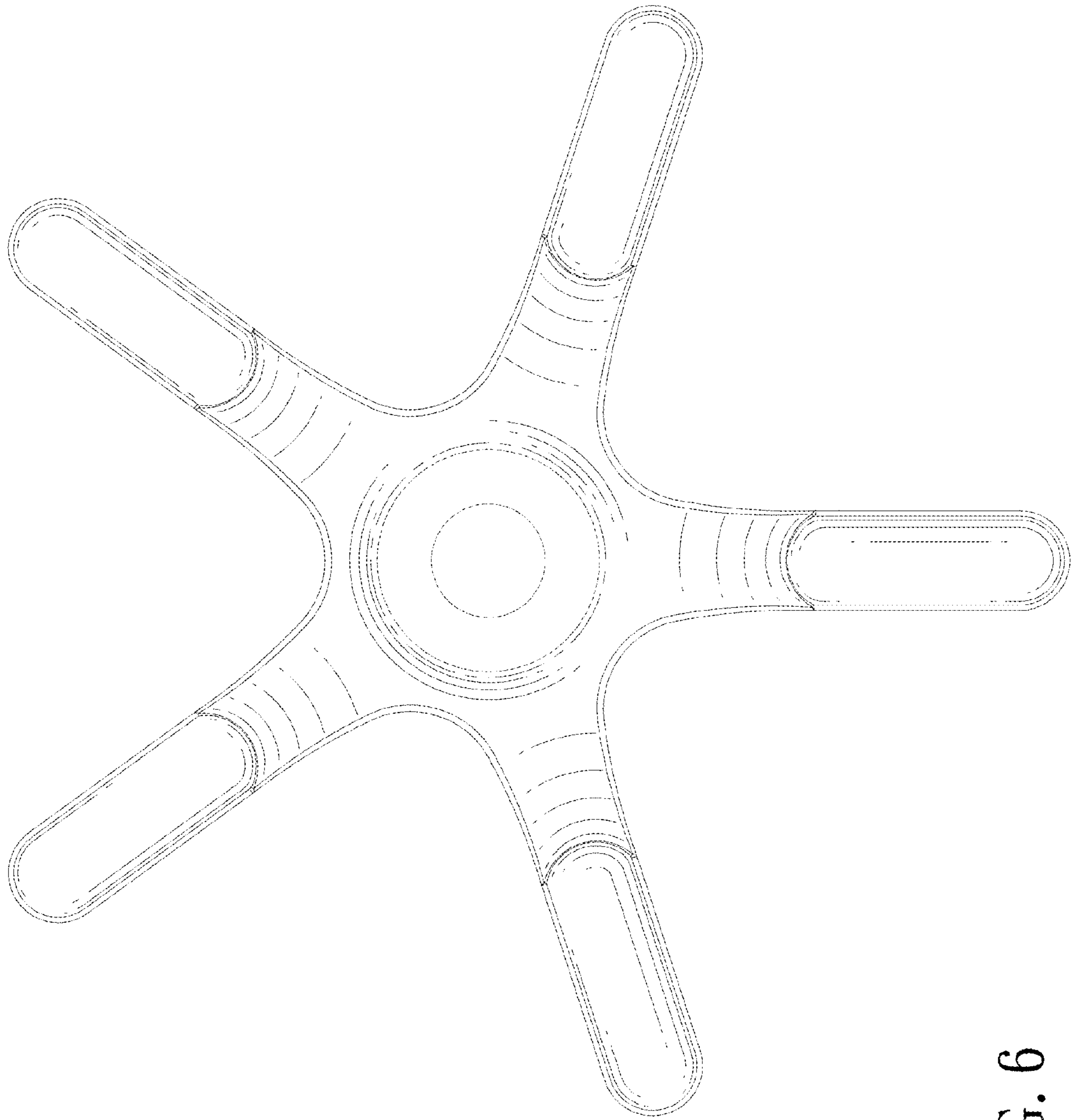


FIG. 6

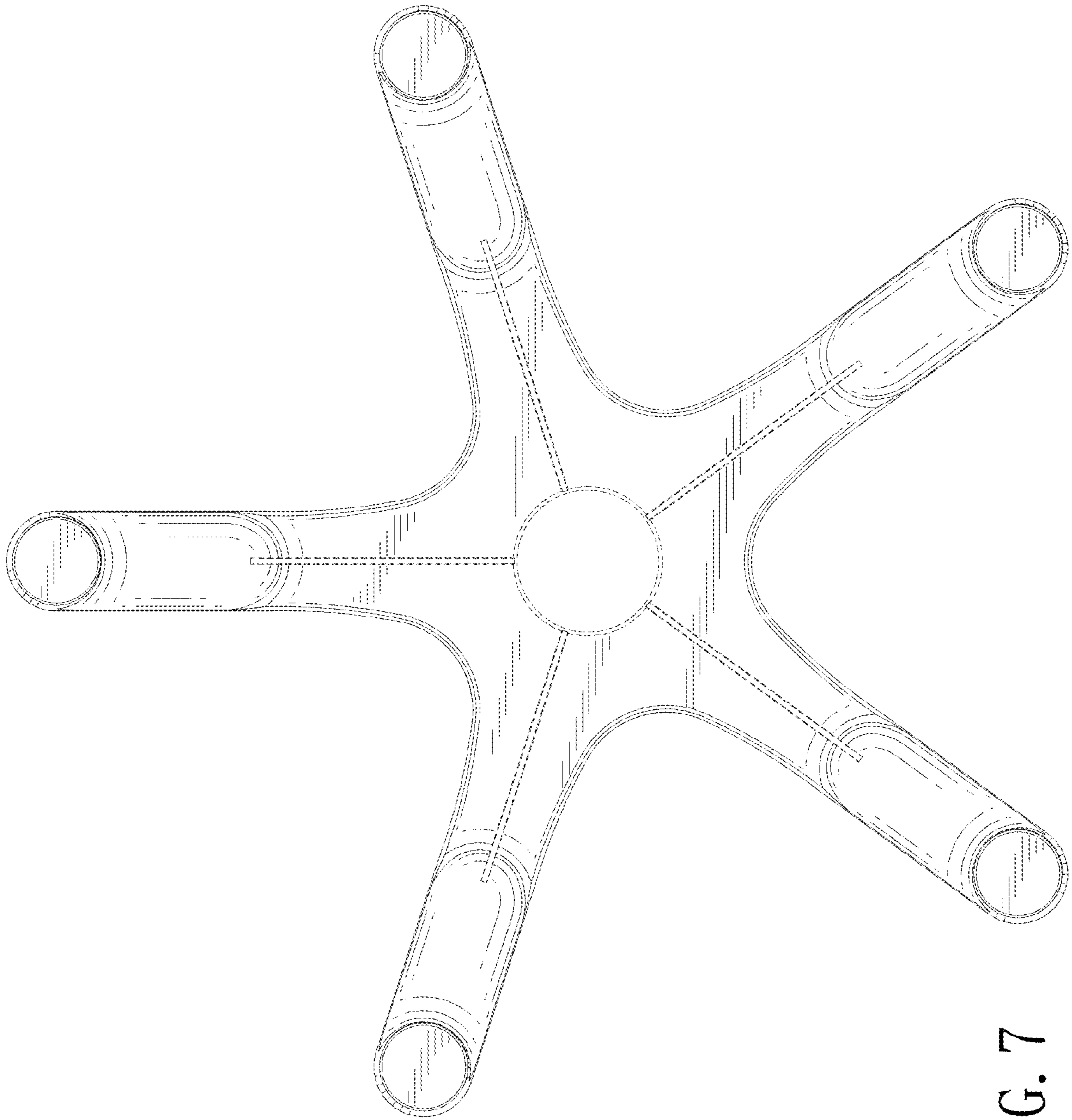


FIG. 7

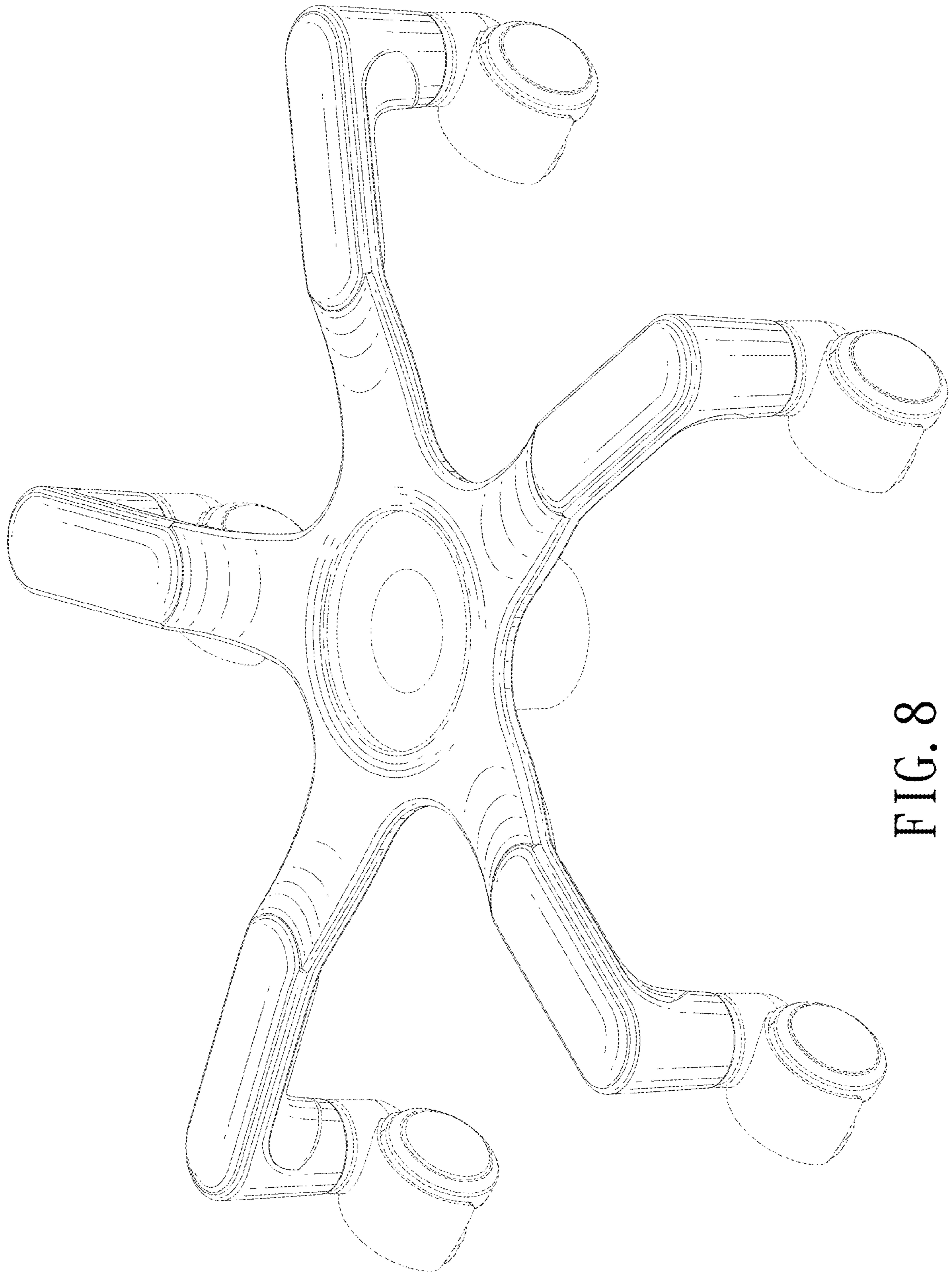


FIG. 8

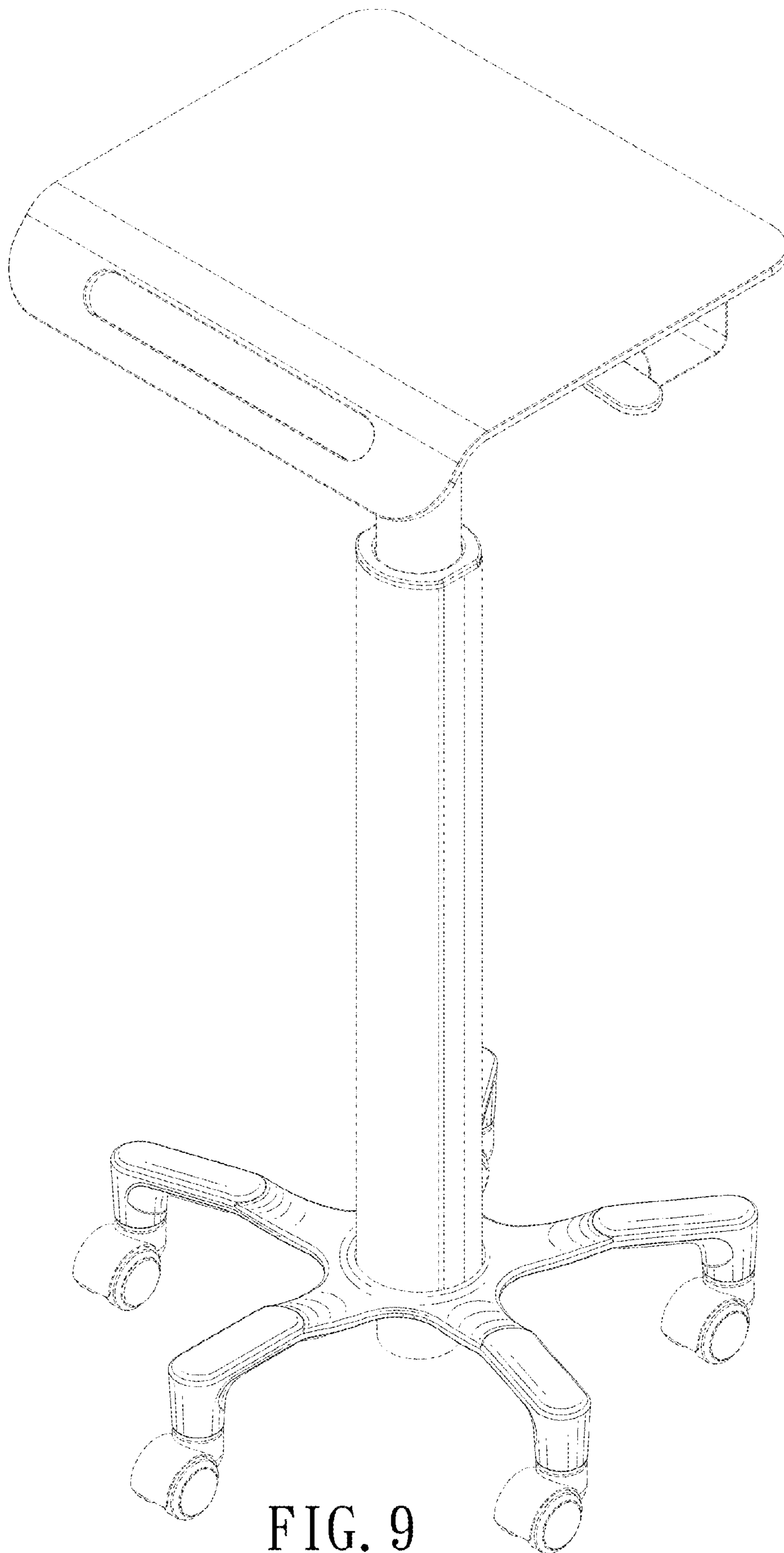


FIG. 9

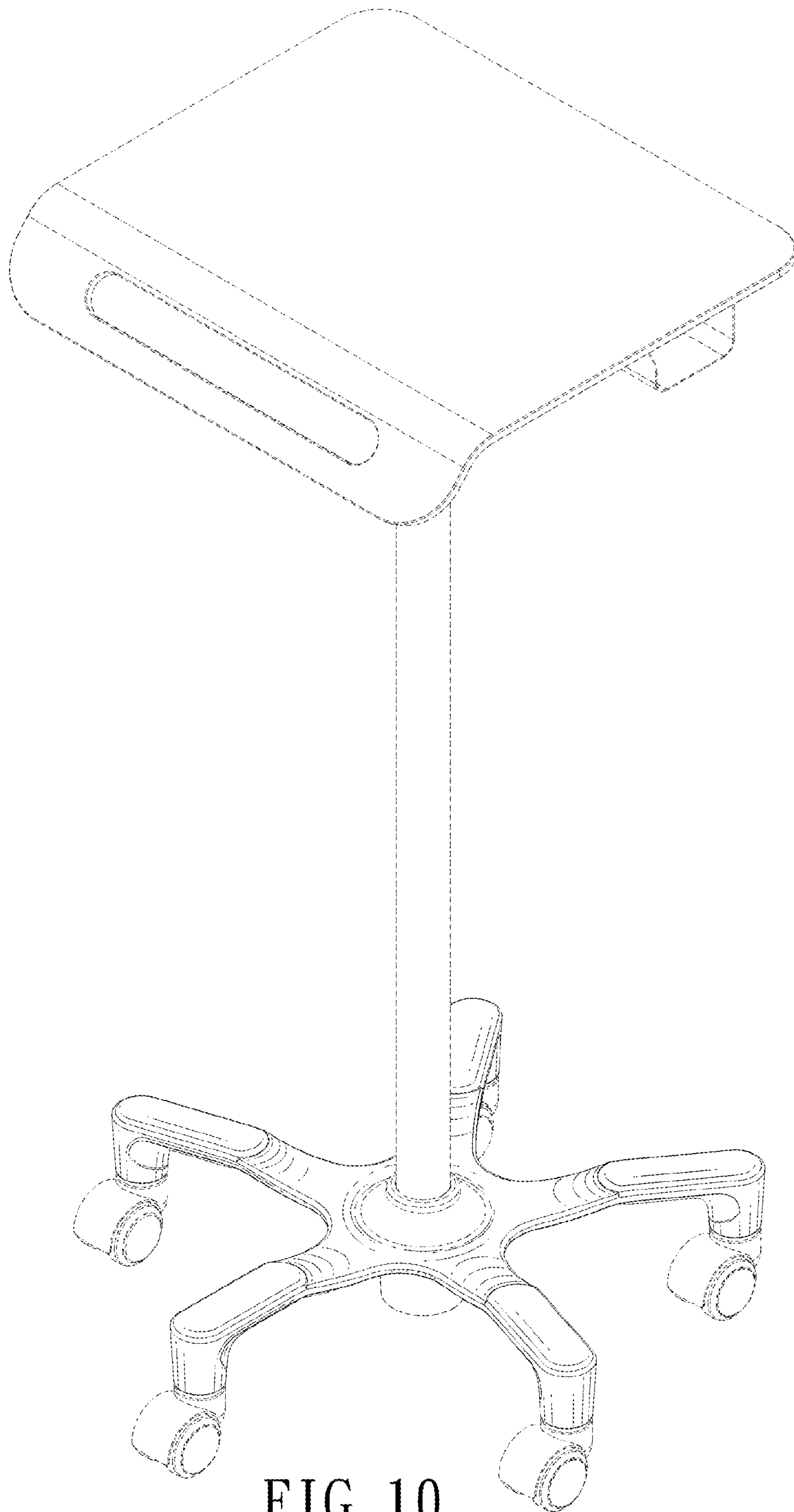


FIG. 10