



US00D987344S

(12) **United States Design Patent**
Hung

(10) **Patent No.:** **US D987,344 S**

(45) **Date of Patent:** **** May 30, 2023**

(54) **SIDE TABLE**

(71) Applicant: **MODERNSOLID INDUSTRIAL CO., LTD.**, Taichung (TW)

(72) Inventor: **Chin-Jui Hung**, Taichung (TW)

(73) Assignee: **MODERNSOLID INDUSTRIAL CO., LTD.**, Taichung (TW)

(**) Term: **15 Years**

(21) Appl. No.: **29/770,098**

(22) Filed: **Feb. 9, 2021**

(30) **Foreign Application Priority Data**

Aug. 19, 2020 (TW) 109304659

(51) **LOC (14) Cl.** **06-06**

(52) **U.S. Cl.**
USPC **D6/406.2; D6/702; D6/703.1**

(58) **Field of Classification Search**
USPC D6/406.1, 406.2, 643, 643.1, 653, 654, D6/654.1, 655, 655.1, 655.16, 655.17, D6/656, 656.15, 663, 664, 686, 691, D6/691.1-691.9, 702, 703, 703.1, 705, D6/705.1

CPC A45D 29/00; A45D 44/00; A45D 44/02; A45D 29/20; A45C 2007/0013; A45C 7/0022; A45C 5/141; A47B 3/002; A47B 2003/006; A47B 3/02; A47B 2003/025; A47B 3/10; A47B 7/00; A47B 9/20; A47B 11/00; A47B 21/00; A47B 2021/0307; A47B 21/0314; A47B 23/001; A47B 23/00; A47B 2200/00; A47B 2200/008; A47B 1/08; A47B 2001/085; A47B 23/046; A47B 2023/047; A47B 2200/0031; A47B 2200/05; A47B 13/081; A47B 13/023

See application file for complete search history.

(56) **References Cited**

U.S. PATENT DOCUMENTS

745,160 A * 11/1903 Cummings A47B 23/046
108/8
5,606,917 A * 3/1997 Cauffiel A47B 23/04
108/42
6,195,820 B1 * 3/2001 Heimbrock A61G 13/0045
403/68
D588,829 S * 3/2009 Rheault D6/406.1
8,082,857 B2 * 12/2011 George G08B 21/0453
108/50.01
8,100,061 B2 * 1/2012 Hookway A47B 23/046
108/50.01
D665,199 S * 8/2012 Plitt D6/707.22
D687,656 S * 8/2013 Copeland D6/656.15
D838,526 S * 1/2019 Kim D6/574
11,540,623 B2 * 1/2023 Hung A47B 9/10

(Continued)

Primary Examiner — Catherine Ho

(57) **CLAIM**

The ornamental design for a side table, as shown and described.

DESCRIPTION

FIG. 1 is a perspective view of a side table showing my new design;

FIG. 2 is a front elevational view thereof;

FIG. 3 is a rear elevational view thereof;

FIG. 4 is a left side elevational view thereof;

FIG. 5 is a right side elevational view thereof;

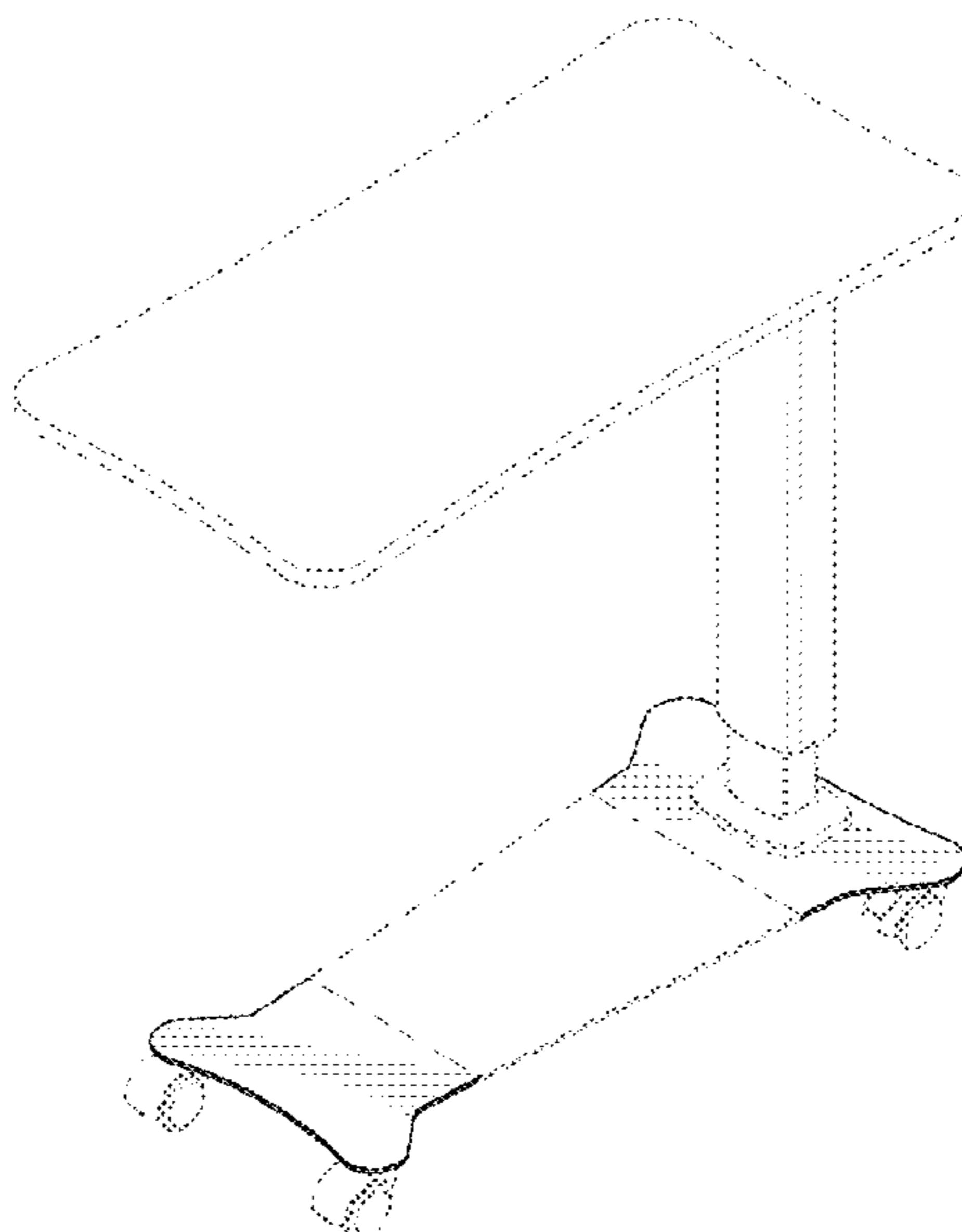
FIG. 6 is a top plan view thereof; and,

FIG. 7 is a bottom plan view thereof.

The evenly dashed broken lines depict portions of the side table in which the design is embodied that form no part of the claimed design.

The dot-dash broken lines are for defining the bounds of the claimed design only and form no part of the claimed design.

1 Claim, 7 Drawing Sheets



(56)

References Cited

U.S. PATENT DOCUMENTS

2003/0164120 A1* 9/2003 Helle A47B 9/10
108/103
2015/0257528 A1* 9/2015 Rosing A47B 23/046
108/3
2019/0191866 A1* 6/2019 Lin A47B 13/023

* cited by examiner

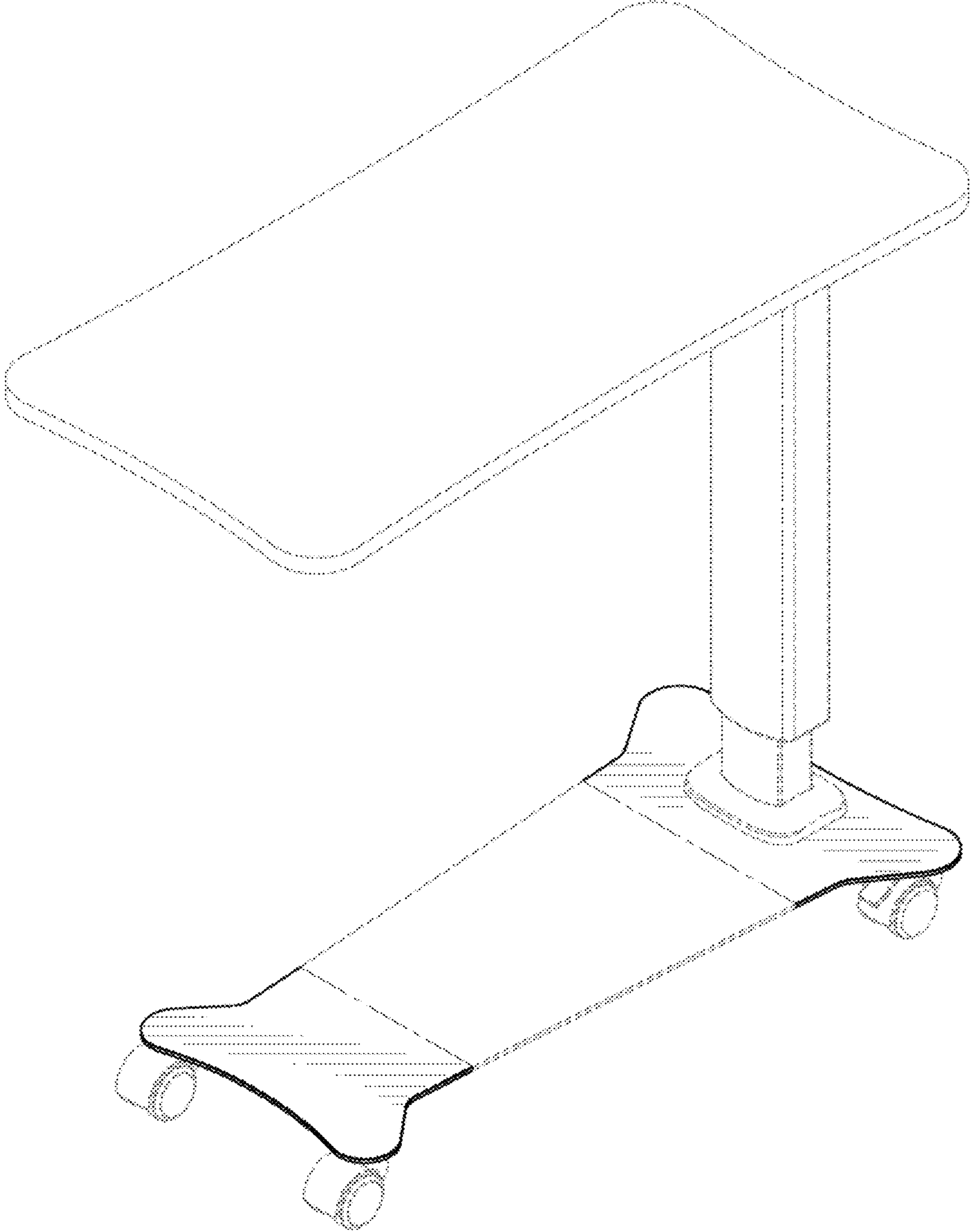


FIG.1

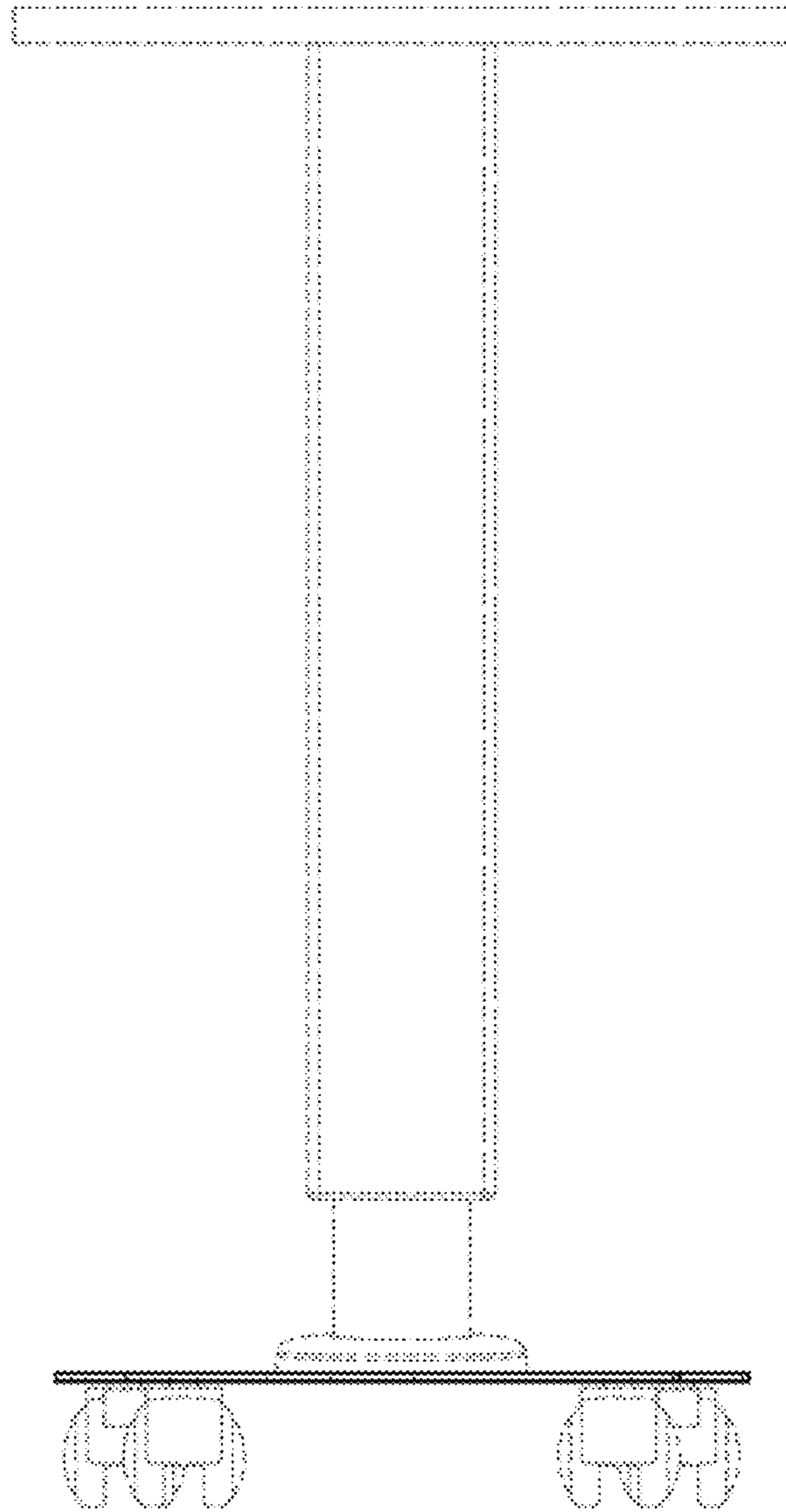


FIG.2

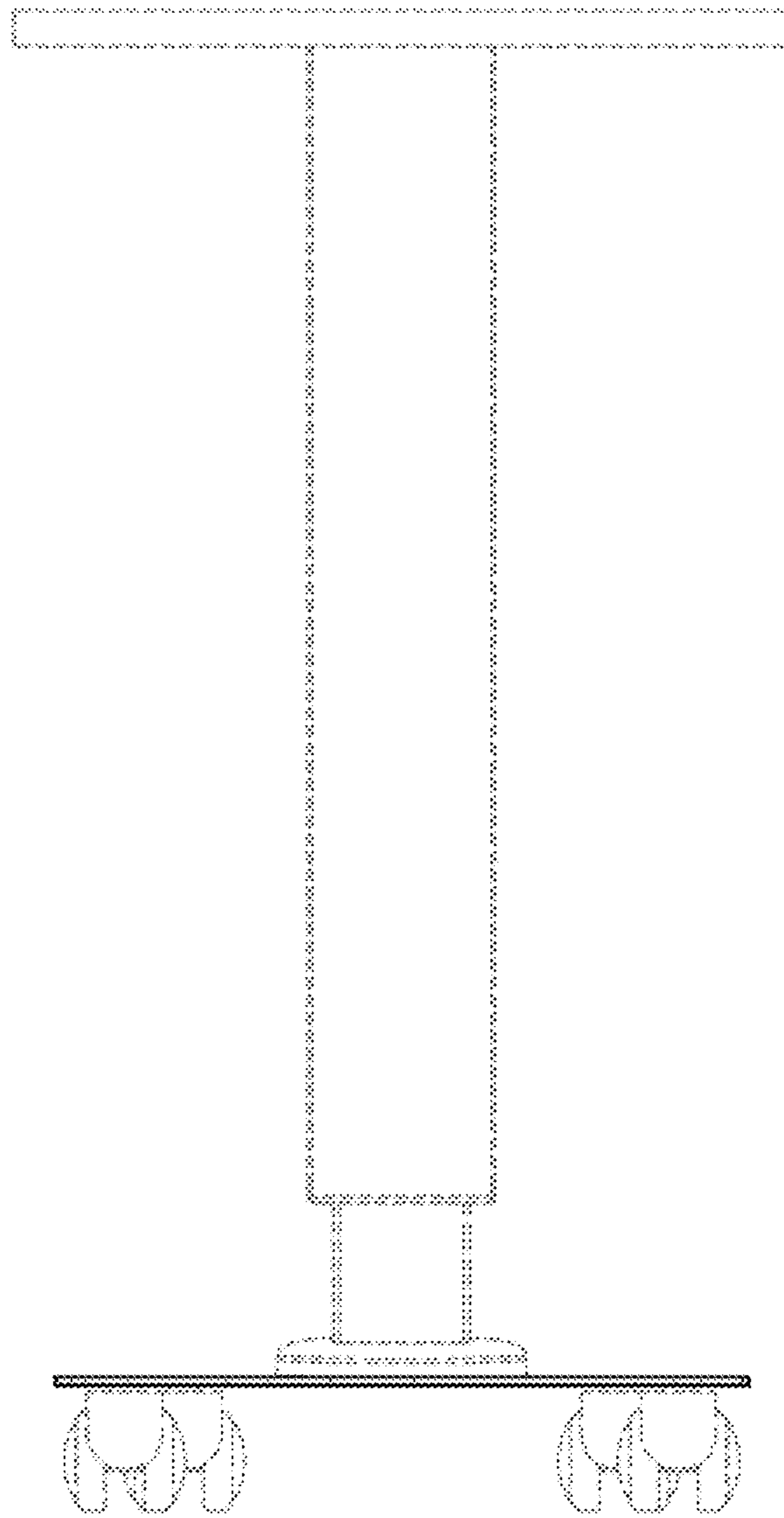


FIG.3

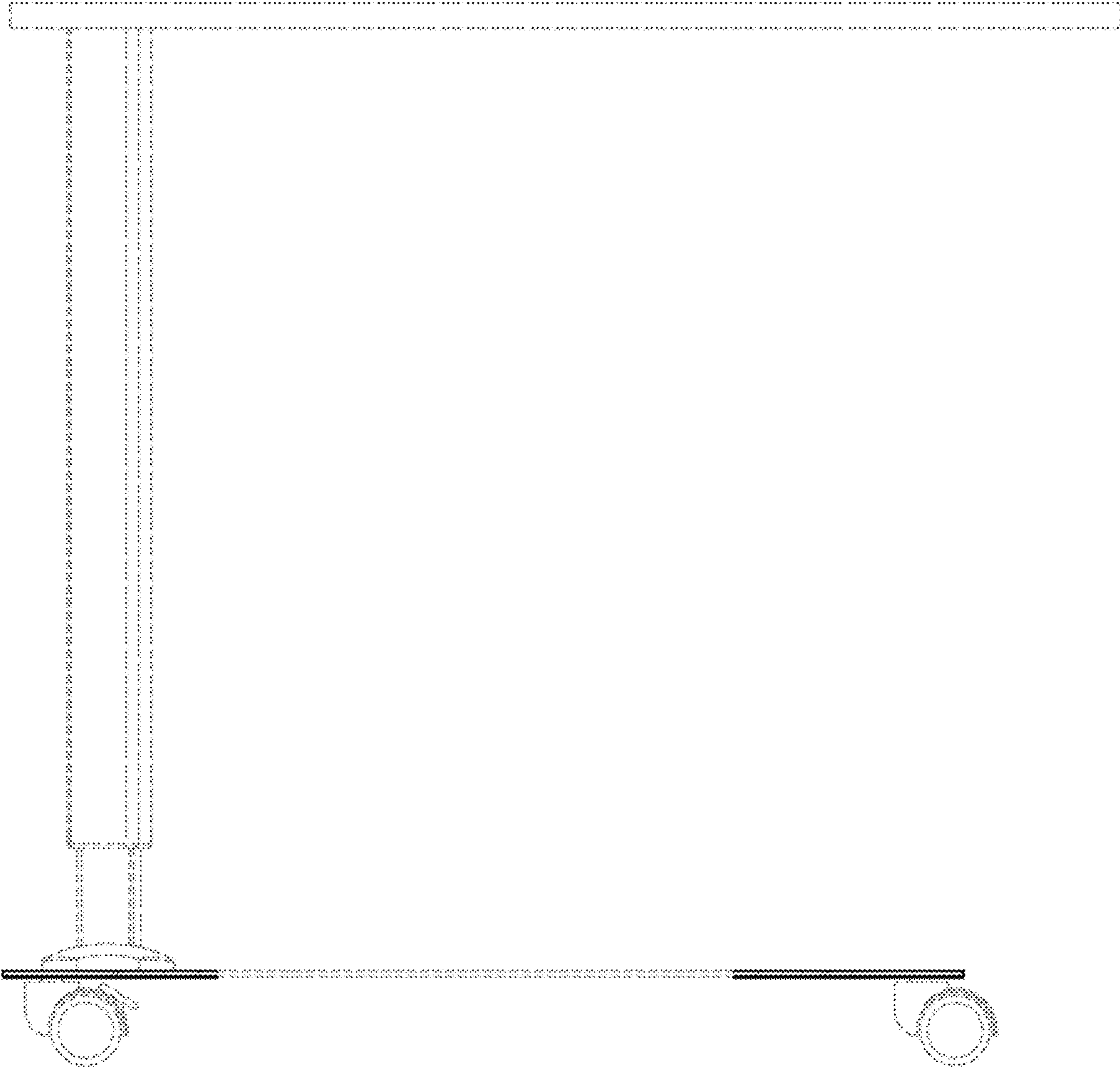


FIG.4

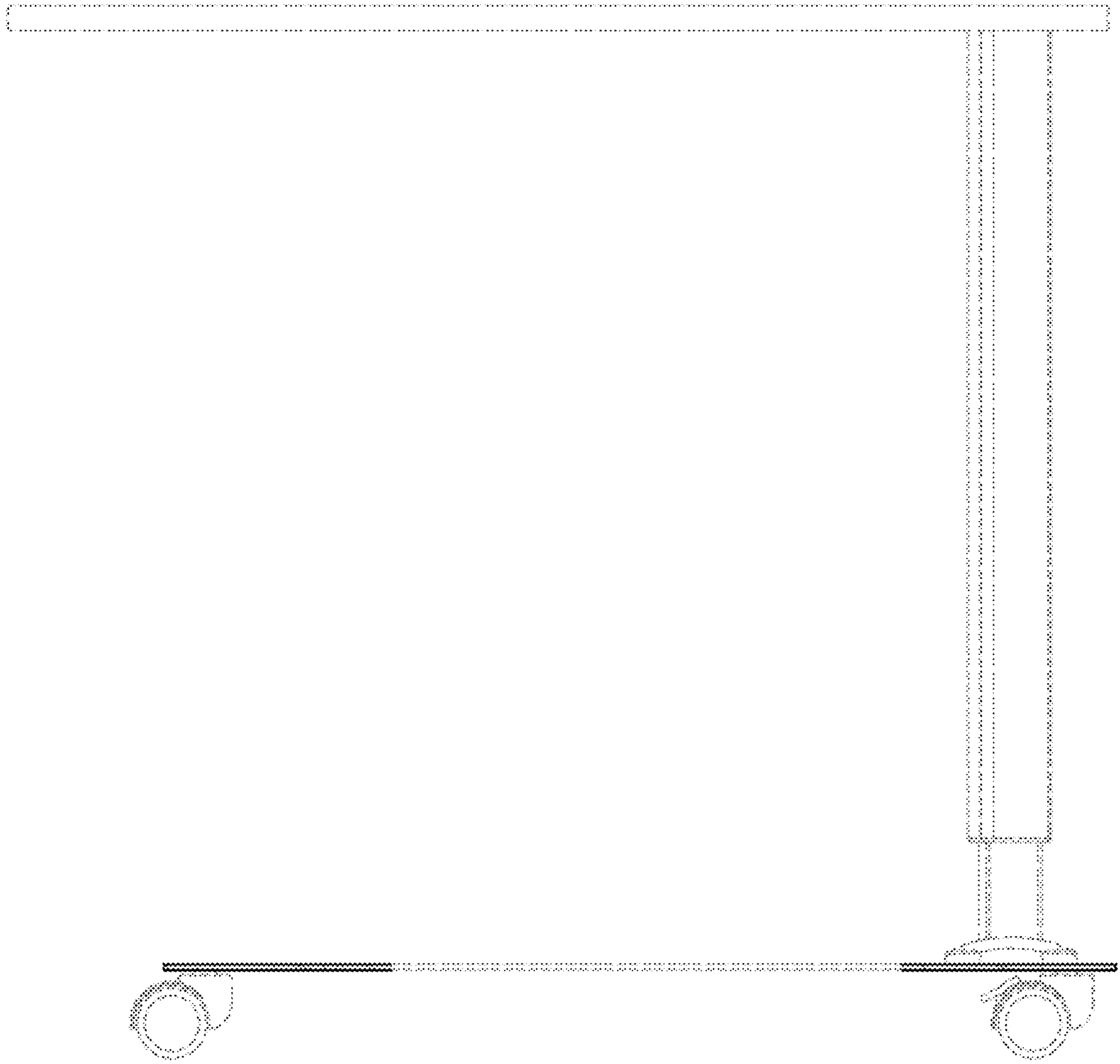


FIG. 5

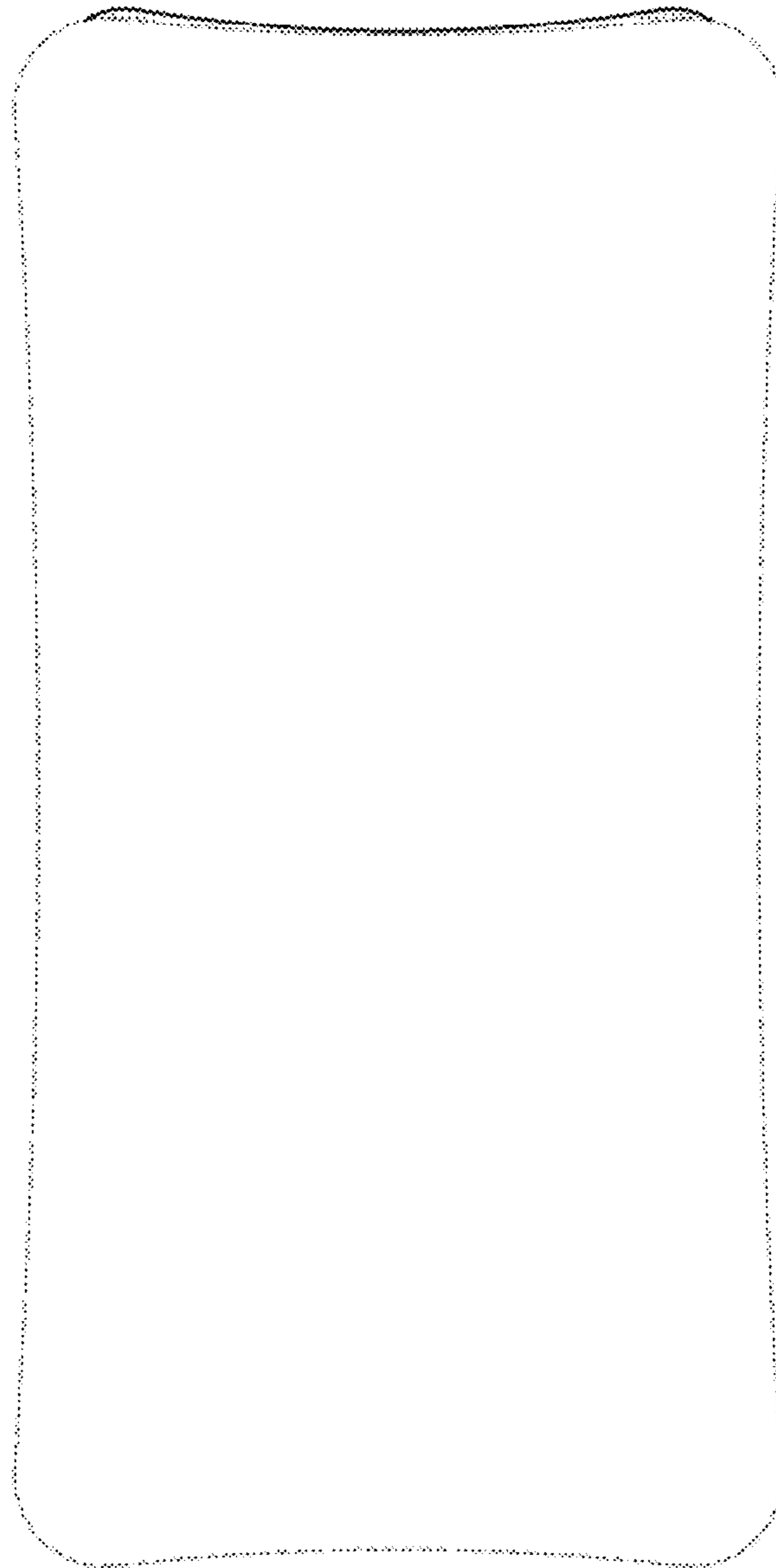


FIG.6

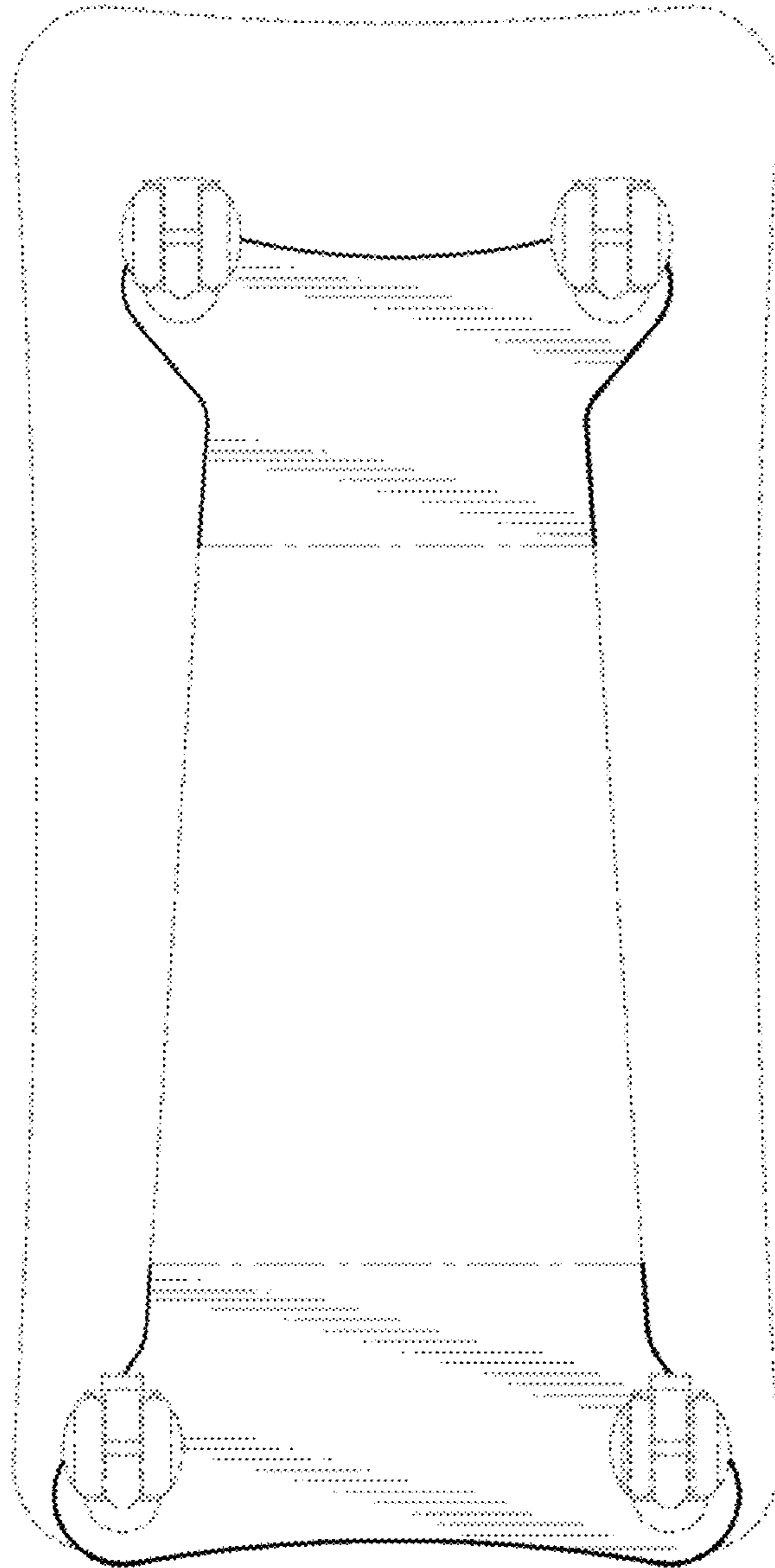


FIG. 7