



US00D987343S

(12) **United States Design Patent**
Zhang

(10) **Patent No.:** **US D987,343 S**

(45) **Date of Patent:** **** May 30, 2023**

(54) **DESK SHELF**

(71) Applicant: **Huilin Wu**, Fujian (CN)

(72) Inventor: **Zhuanhe Zhang**, Fujian (CN)

(73) Assignee: **Huilin Wu**, Fujian (CN)

(**) Term: **15 Years**

(21) Appl. No.: **29/783,477**

(22) Filed: **May 13, 2021**

(51) **LOC (14) Cl.** **06-06**

(52) **U.S. Cl.**
USPC **D6/705**

(58) **Field of Classification Search**

USPC D6/349, 352, 641, 656, 656.1, 656.13,
D6/685, 690, 691, 691.1, 691.6, 705,
D6/705.1, 707, 707.19, 707.22
CPC A47B 96/02; A47B 96/021; A47B 63/00;
A47B 96/027

See application file for complete search history.

(56) **References Cited**

U.S. PATENT DOCUMENTS

D167,587 S *	8/1952	Pierce	312/351
D188,199 S *	6/1960	Swarts et al.	D6/707.19
D403,186 S *	12/1998	Kopish	D6/707.22
D482,879 S *	12/2003	Arendt	D6/349
D641,189 S *	7/2011	Klotz	D6/705
D785,956 S *	5/2017	Stricklin	D6/349
D802,311 S *	11/2017	Stricklin	D6/349
D861,403 S *	10/2019	Hurford	D6/705
D884,400 S *	5/2020	Chen	D6/705
D970,274 S *	11/2022	Hu	D6/705

OTHER PUBLICATIONS

Flash Furniture Hercules Series 8'x12" Antique Rustic Solid Pine Folding Farm Bench with 3 Legs, available in Amazon.com, cus-

tomer review oldest date Sep. 26, 2022 [online], [site visited Mar. 22, 2023], Available from internet URL: <https://www.amazon.com/Flash-Furniture-HERCULES-Antique-Folding/dp/B07D47> (Year: 2022).*

Wood Bench, available in Wayfair.com, customer review oldest date Feb. 20, 2019 [online], [site visited Mar. 22, 2023], Available from internet URL: <https://www.wayfair.com/furniture/pdp/pre-sales-wood-bench-w003127154.html?piid=99464202> (Year: 2019).*

Aleksandra 8'x12" Antique Rustic Solid Pine Folding Farm Bench with 3 Legs, customer review oldest date Jan. 12, 2021 [online], [site visited Mar. 22, 2023], Available from internet URL: <https://www.wayfair.com/furniture/pdp/aleksandra-8-x-12-antique-rustic-solid-pine-folding-farm-bench-with-3-legs-w0081> (Year: 2021).*

Dao Folding Wood Bench, customer review oldest date Mar. 20, 2020 [online], [site visited Mar. 22, 2023], Available from internet URL: <https://www.wayfair.com/furniture/pdp/gracie-oaks-dao-folding-wood-bench-w001640425.html?piid=> (Year: 2020).*

* cited by examiner

Primary Examiner — Jennifer L Watkins

Assistant Examiner — Bryan Coauhtemoc Gusman

(74) *Attorney, Agent, or Firm* — ScienBiziP, P.C.

(57) **CLAIM**

The ornamental design for a desk shelf, as shown and described.

DESCRIPTION

FIG. 1 is a front, right, and top perspective view of a desk shelf, showing my design.

FIG. 2 is a rear, left, and bottom perspective view thereof.

FIG. 3 is a front elevation view thereof.

FIG. 4 is a rear elevation view thereof.

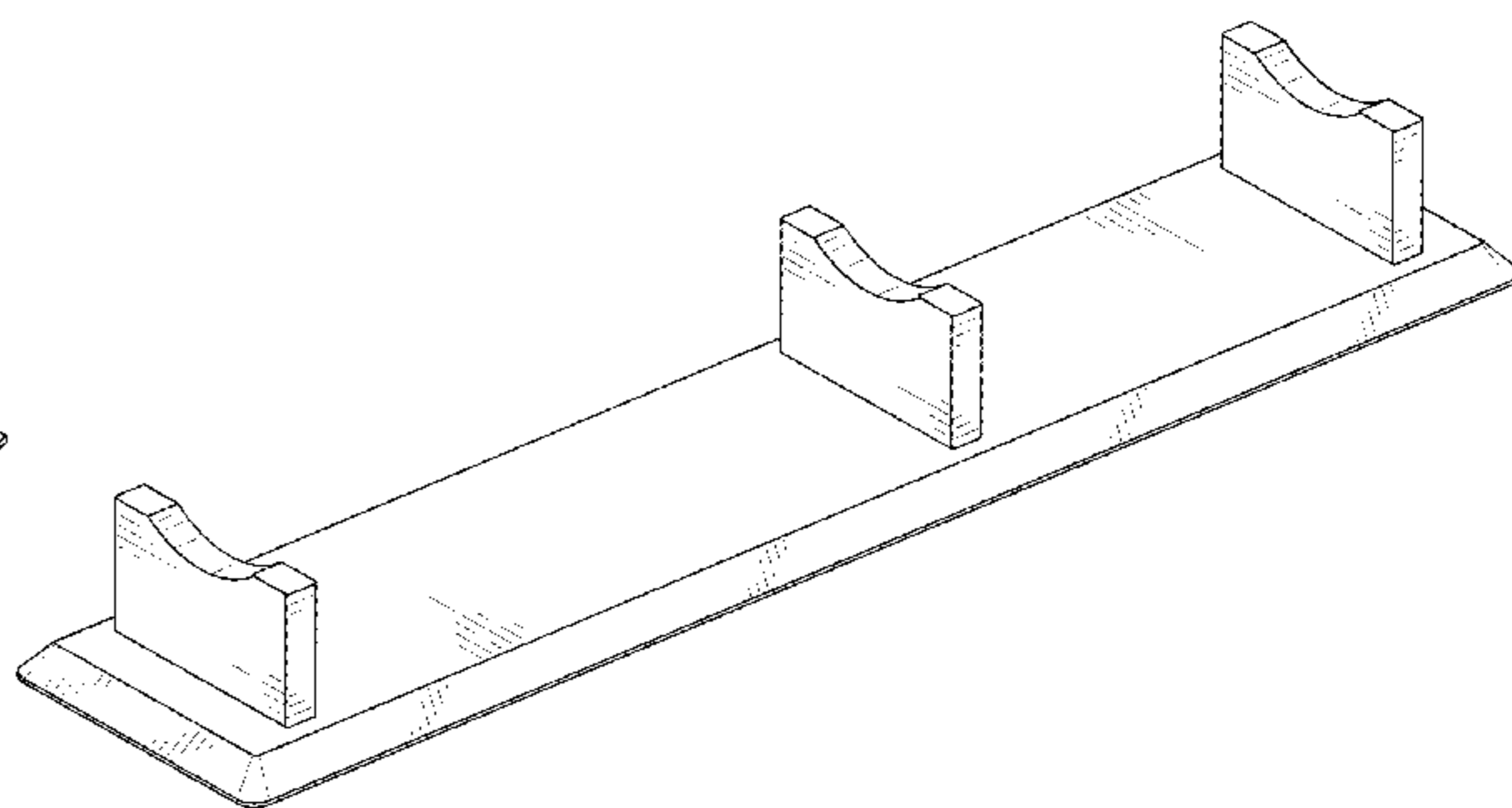
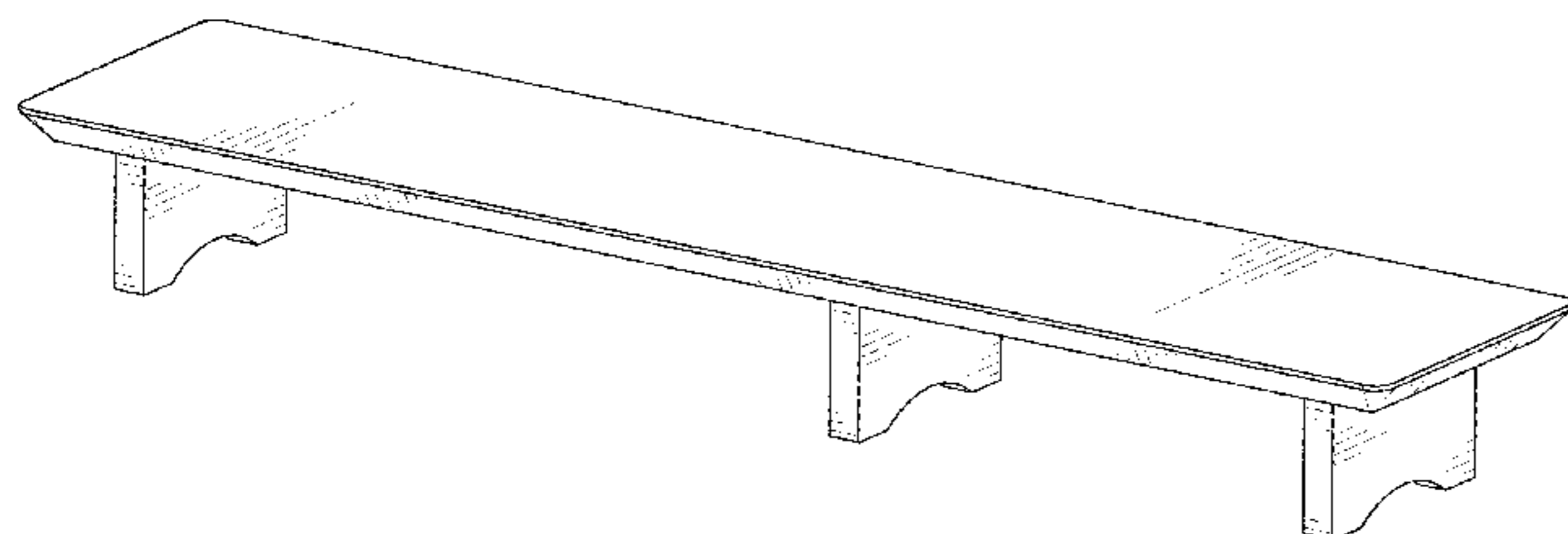
FIG. 5 is a left side elevation view thereof.

FIG. 6 is a right side elevation view thereof.

FIG. 7 is a top plan view thereof; and,

FIG. 8 is a bottom plan view thereof.

1 Claim, 8 Drawing Sheets



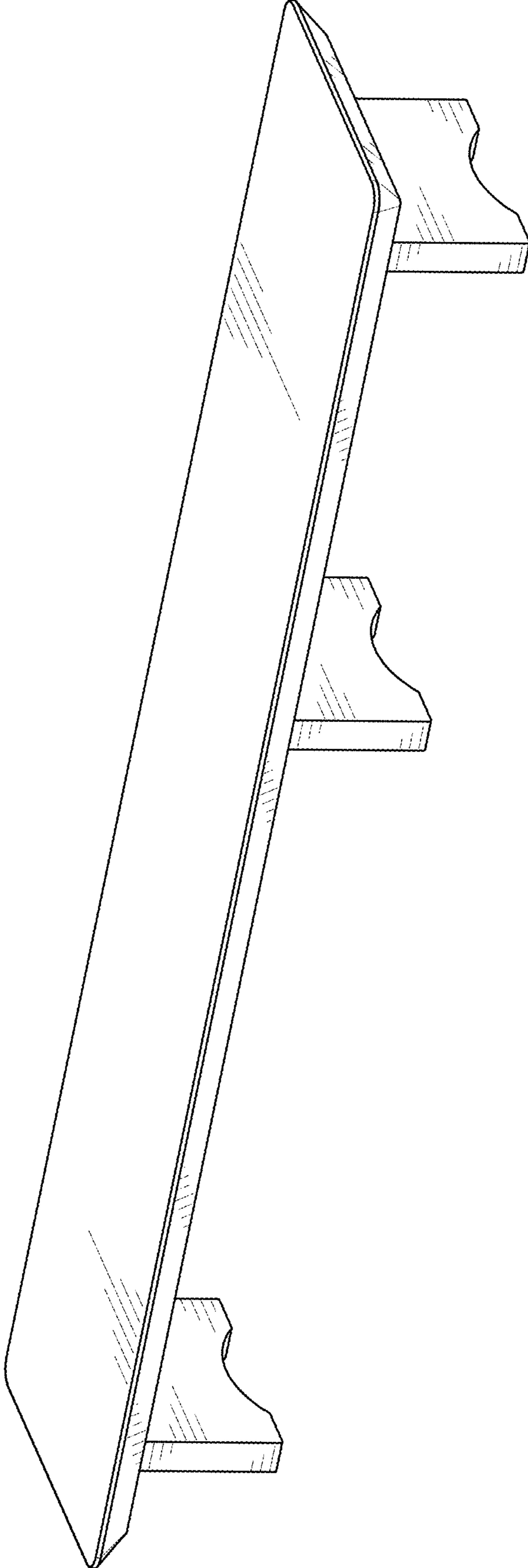


FIG. 1

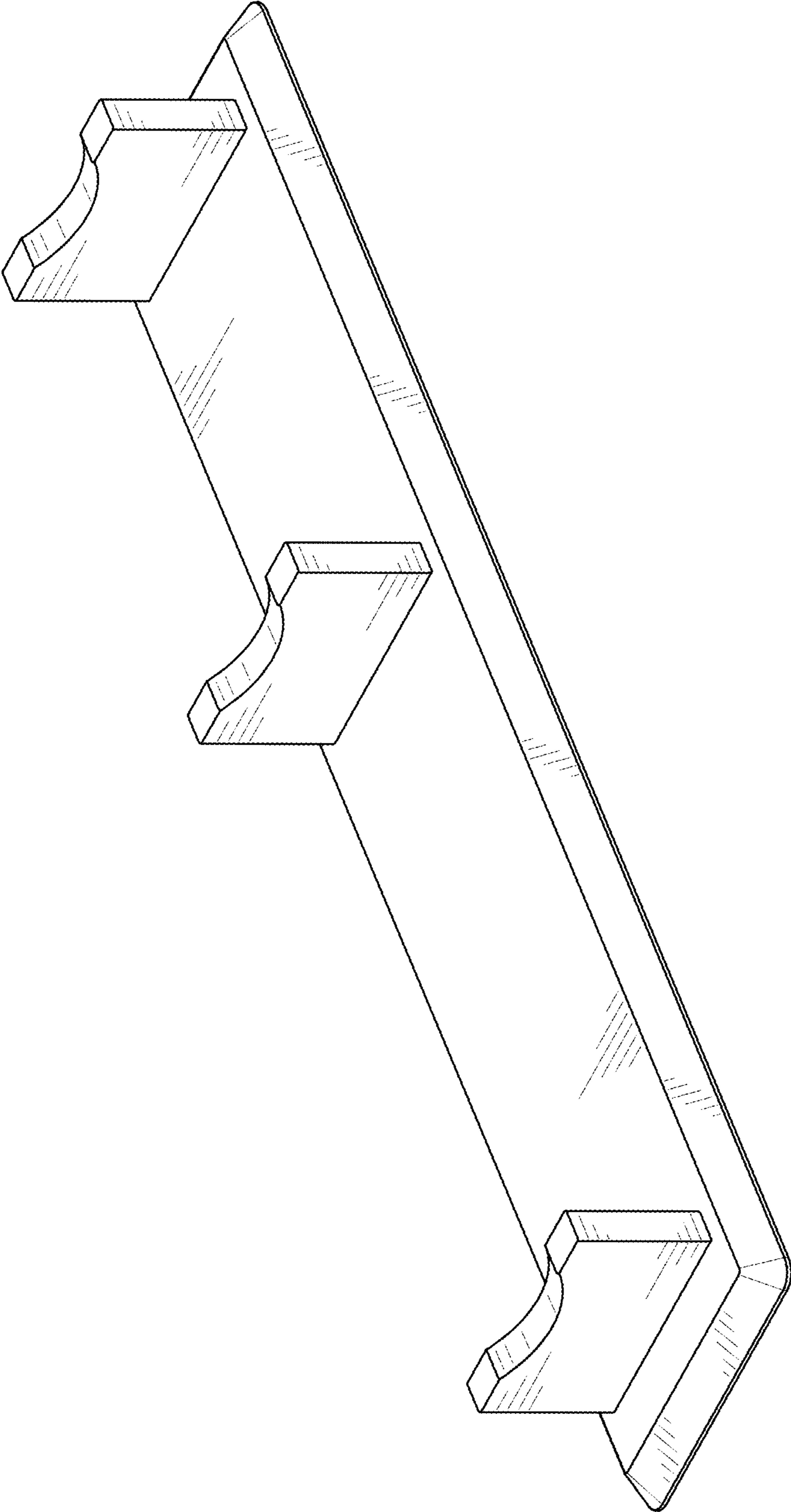


FIG. 2

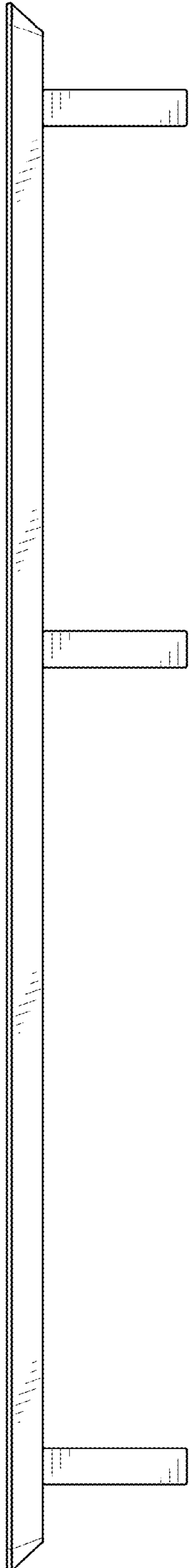


FIG. 3

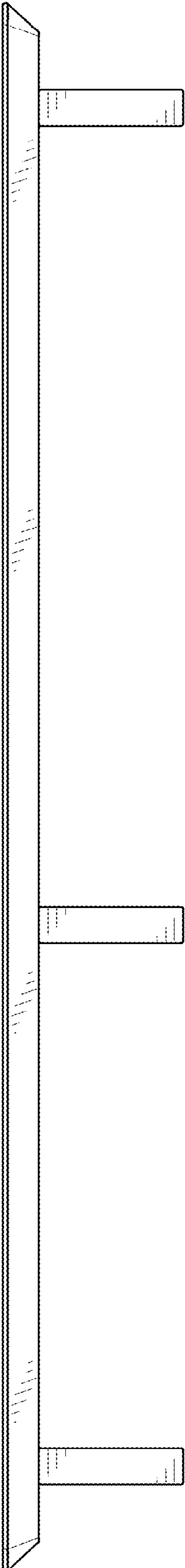


FIG. 4

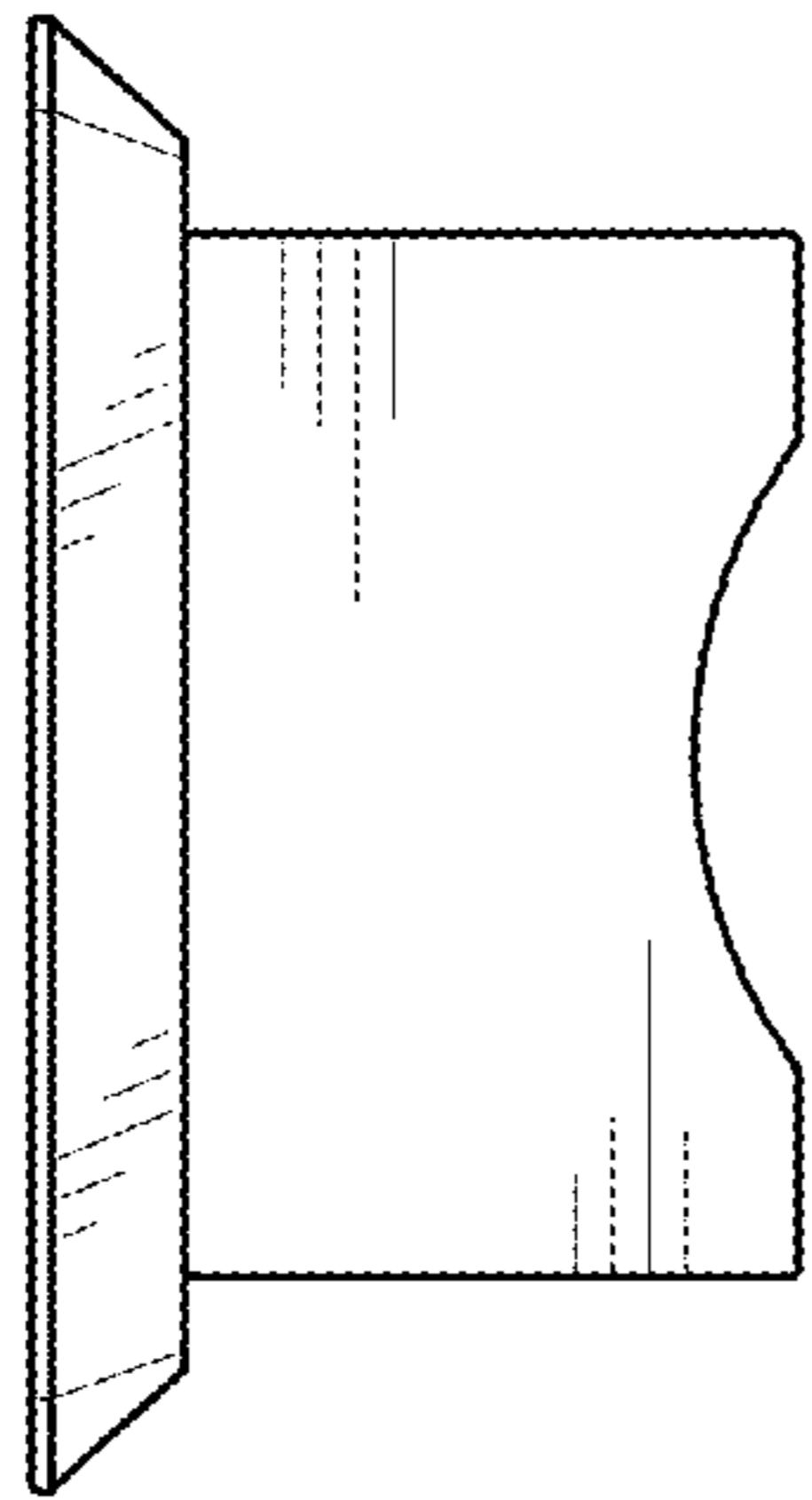


FIG. 5

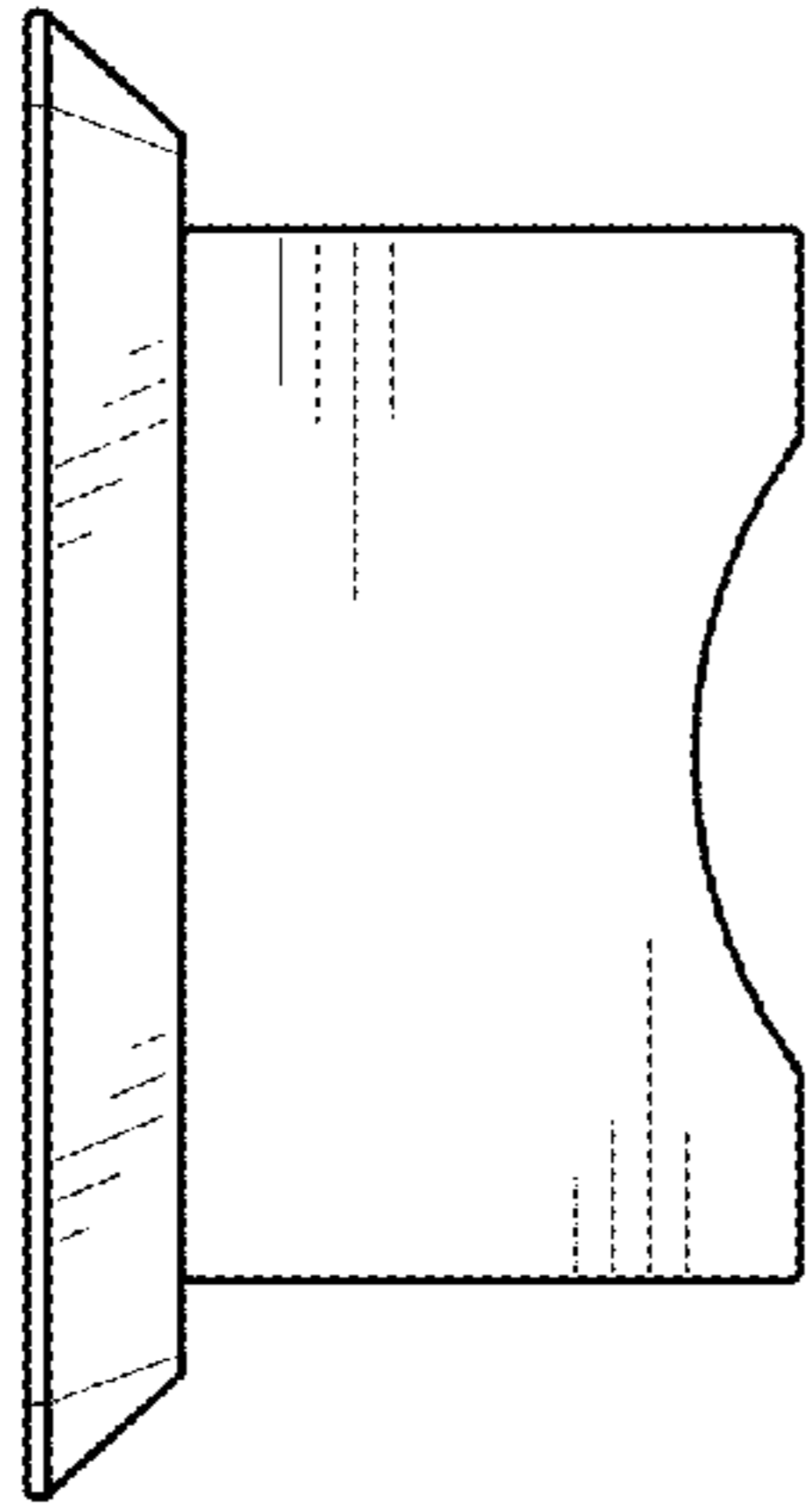


FIG. 6

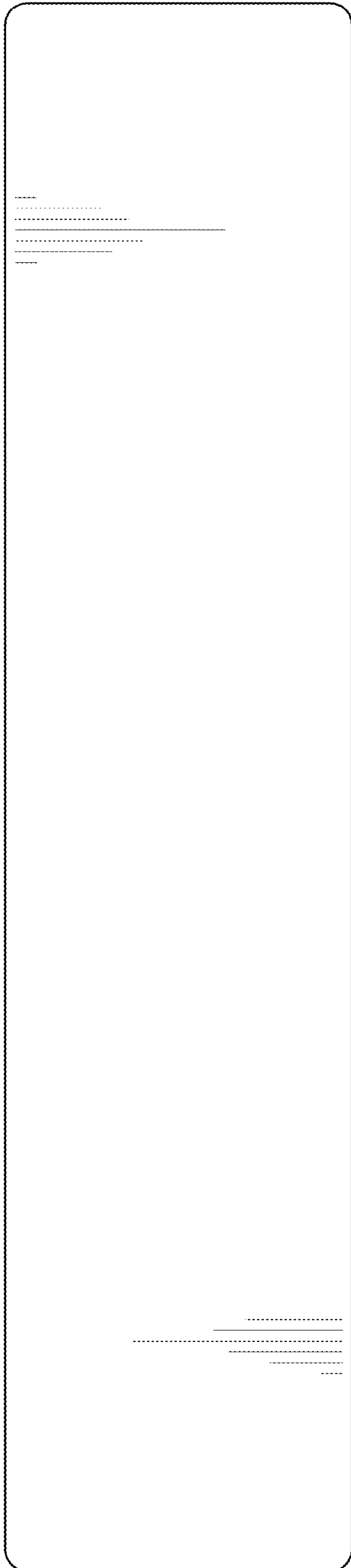


FIG. 7

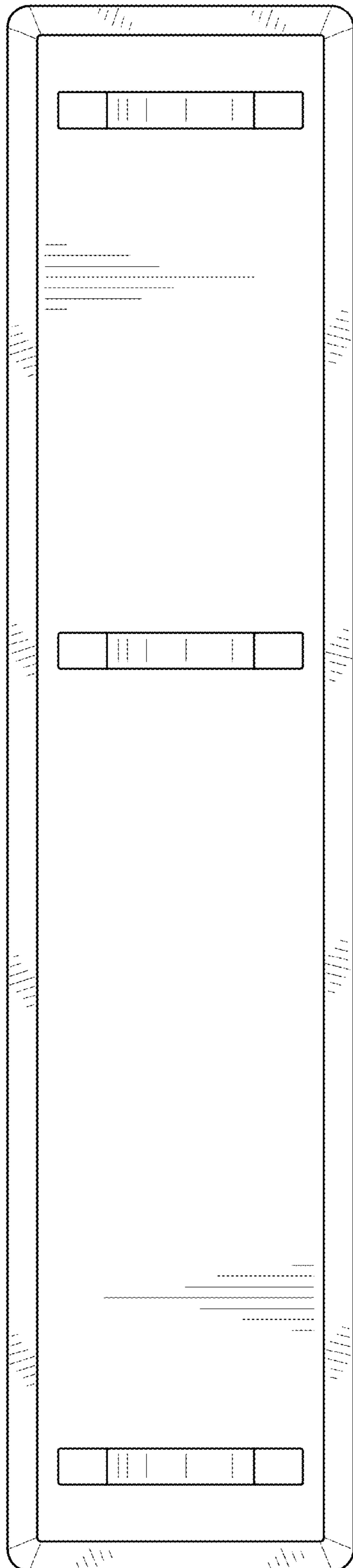


FIG. 8