



US00D987341S

(12) **United States Design Patent** (10) **Patent No.:** **US D987,341 S**
Wu (45) **Date of Patent:** **** May 30, 2023**

(54) **GUITAR STAND**

(71) Applicant: **Wuxi Gleam Musical Instrument Technology Co., Ltd., Wuxi (CN)**

(72) Inventor: **Yuehua Wu, Wuxi (CN)**

(73) Assignee: **Wuxi Gleam Musical Instrument Technology Co., Ltd., Wuxi (CN)**

(**) Term: **15 Years**

(21) Appl. No.: **29/774,630**

(22) Filed: **Mar. 18, 2021**

(30) **Foreign Application Priority Data**

Dec. 15, 2020 (CN) 202030773900.6

(51) **LOC (14) Cl.** **06-06**

(52) **U.S. Cl.**
USPC **D6/682**

(58) **Field of Classification Search**
USPC ... D6/672-673, 678, 680, 682, 682.1, 682.2,
D6/682.3, 682.4; D17/9, 20; D14/229,
D14/447

CPC A47B 23/00; A47B 23/004; A47B 19/002;
A47B 2019/004; A47F 7/00; A47F
7/0021

See application file for complete search history.

(56) **References Cited**

U.S. PATENT DOCUMENTS

D236,227 S * 8/1975 Kester D6/681
D392,123 S * 3/1998 Lynch D17/99

D396,579 S * 8/1998 Kalayjian D6/682
D435,365 S * 12/2000 Eason D16/244
D473,058 S * 4/2003 Ingles D6/312
D473,384 S * 4/2003 Ingles D6/312
D538,554 S * 3/2007 Tai D6/682
D608,113 S * 1/2010 Koh D6/682
D627,990 S * 11/2010 Shea D6/682
D628,830 S * 12/2010 Mono D6/682.3
D648,572 S * 11/2011 Werner D6/682.4
D675,039 S * 1/2013 Foisy D6/682.1
D707,475 S * 6/2014 Triato D6/682.3
D728,284 S * 5/2015 Nentwich D6/682.5
D943,322 S * 2/2022 Li D6/682

* cited by examiner

Primary Examiner — Kelley A Donnelly

(74) *Attorney, Agent, or Firm* — Bayramoglu Law Offices LLC

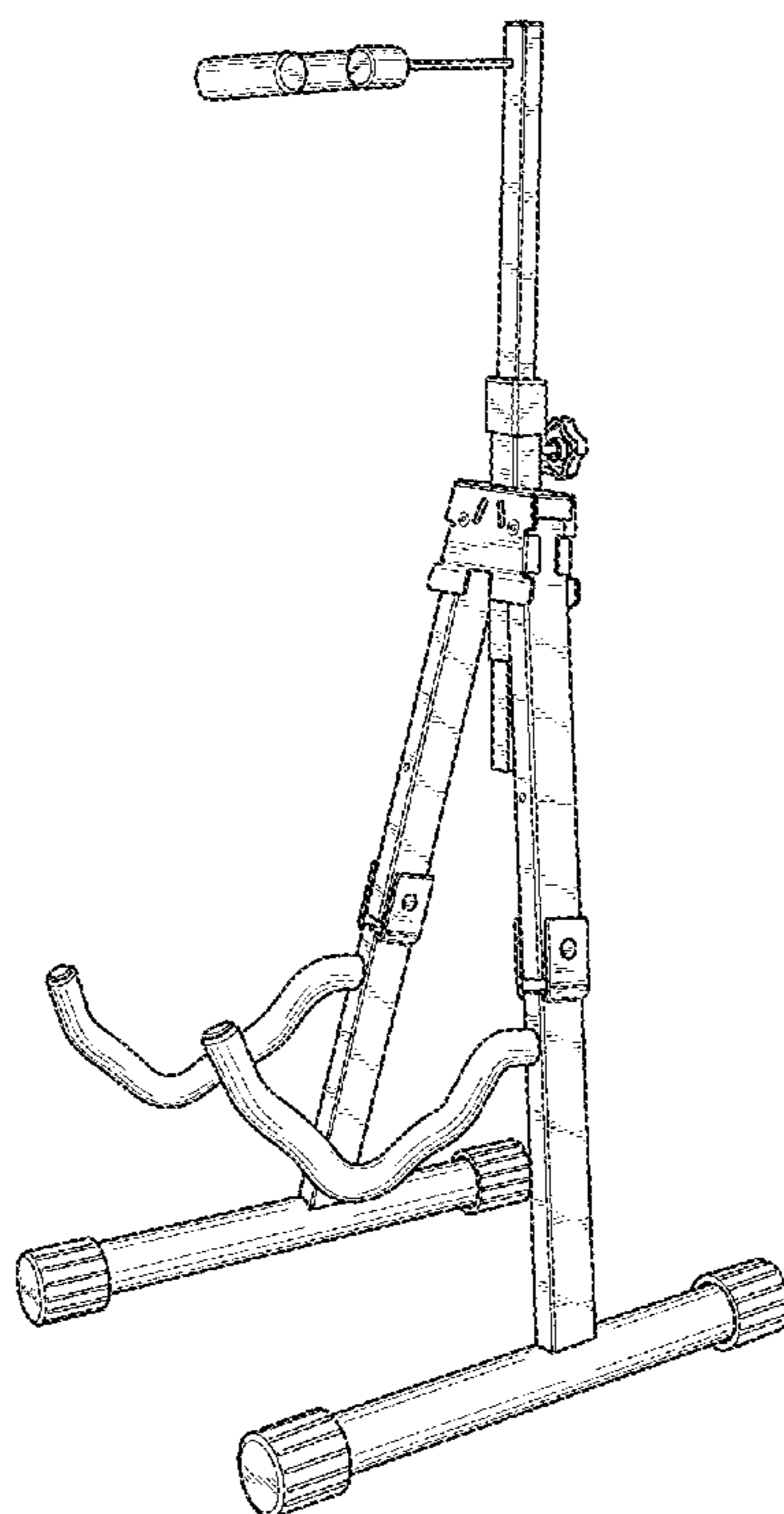
(57) **CLAIM**

The ornamental design for a guitar stand, as shown and described.

DESCRIPTION

FIG. 1 is a perspective view of a guitar stand showing my new design;
FIG. 2 is a front view thereof;
FIG. 3 is a rear view thereof;
FIG. 4 is a right side view thereof;
FIG. 5 is a left side view thereof;
FIG. 6 is a top view thereof; and,
FIG. 7 is a bottom view thereof.

1 Claim, 7 Drawing Sheets



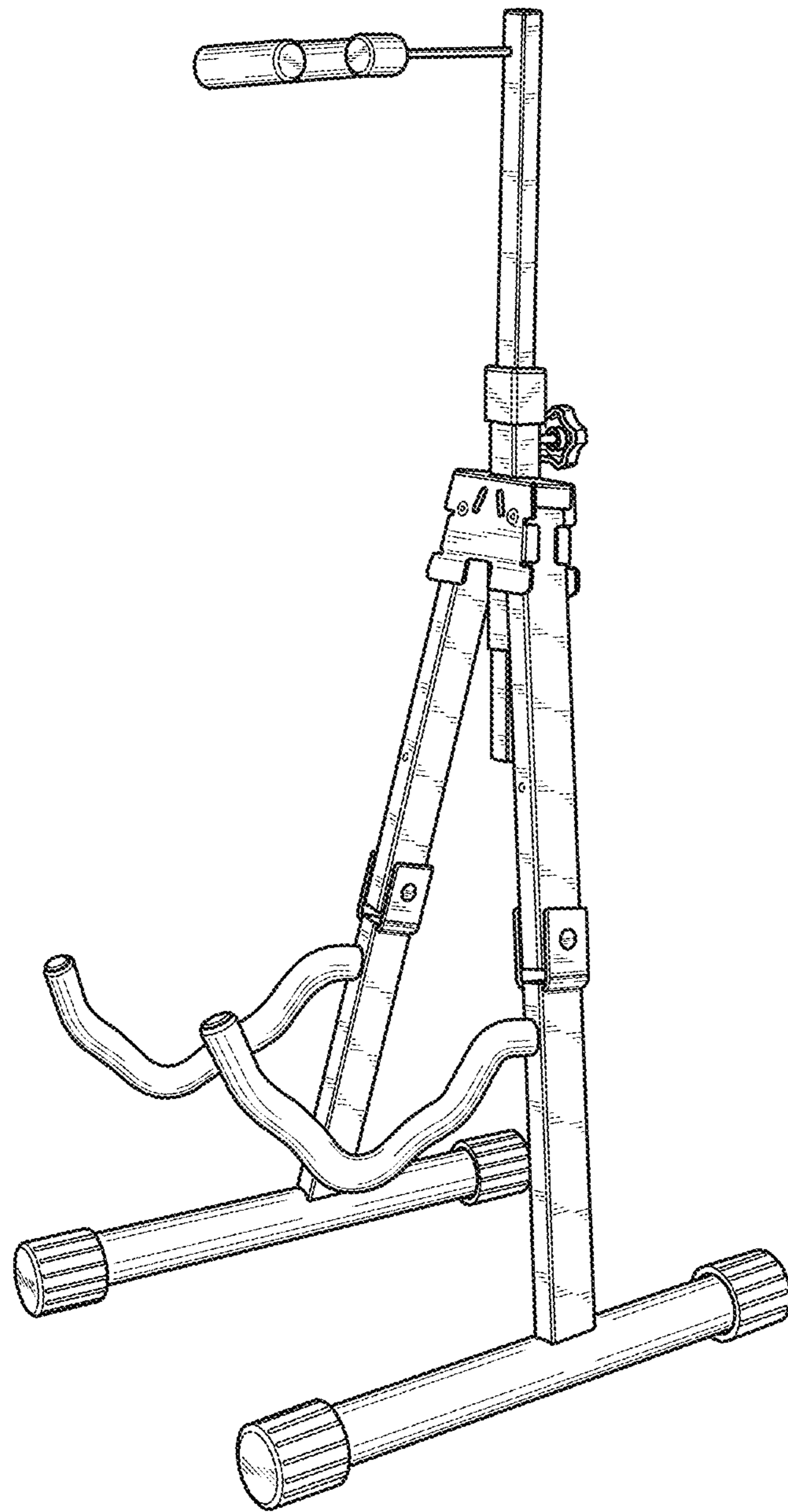


Fig. 1

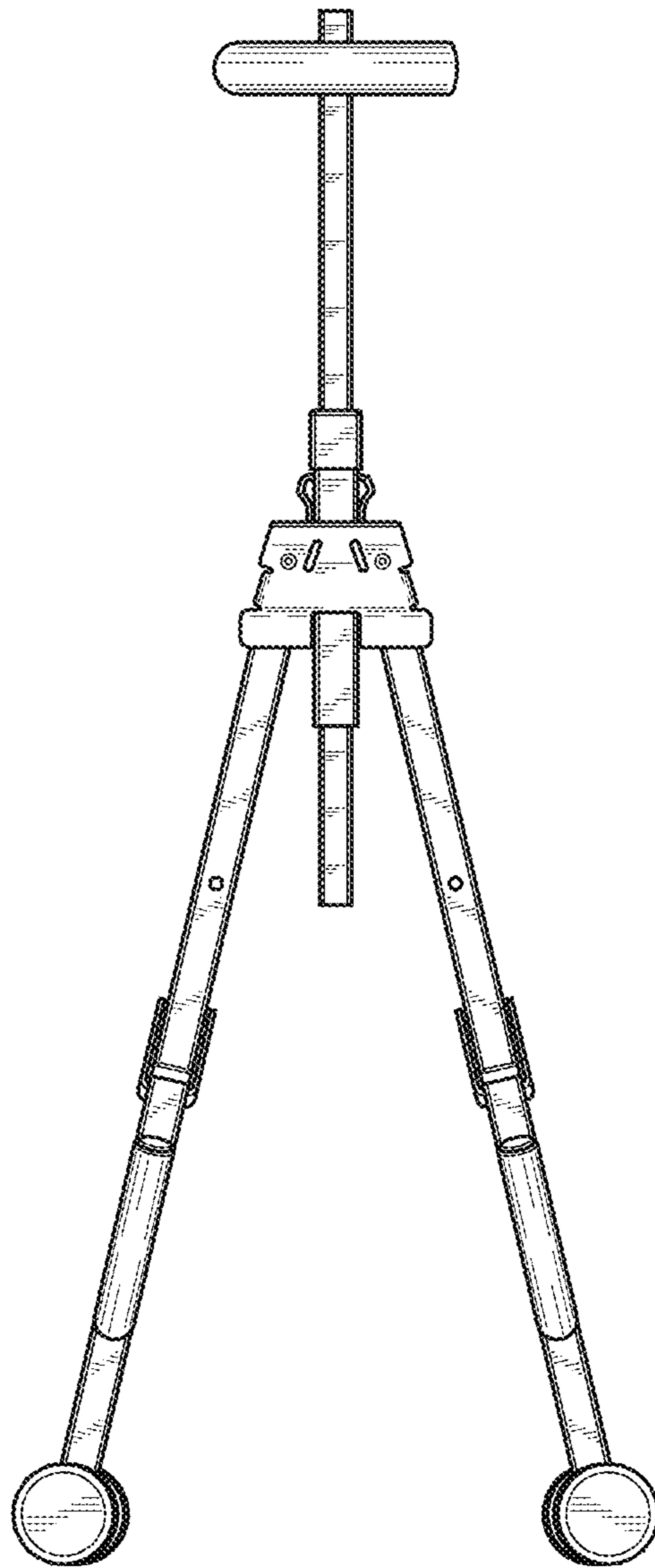


Fig. 2

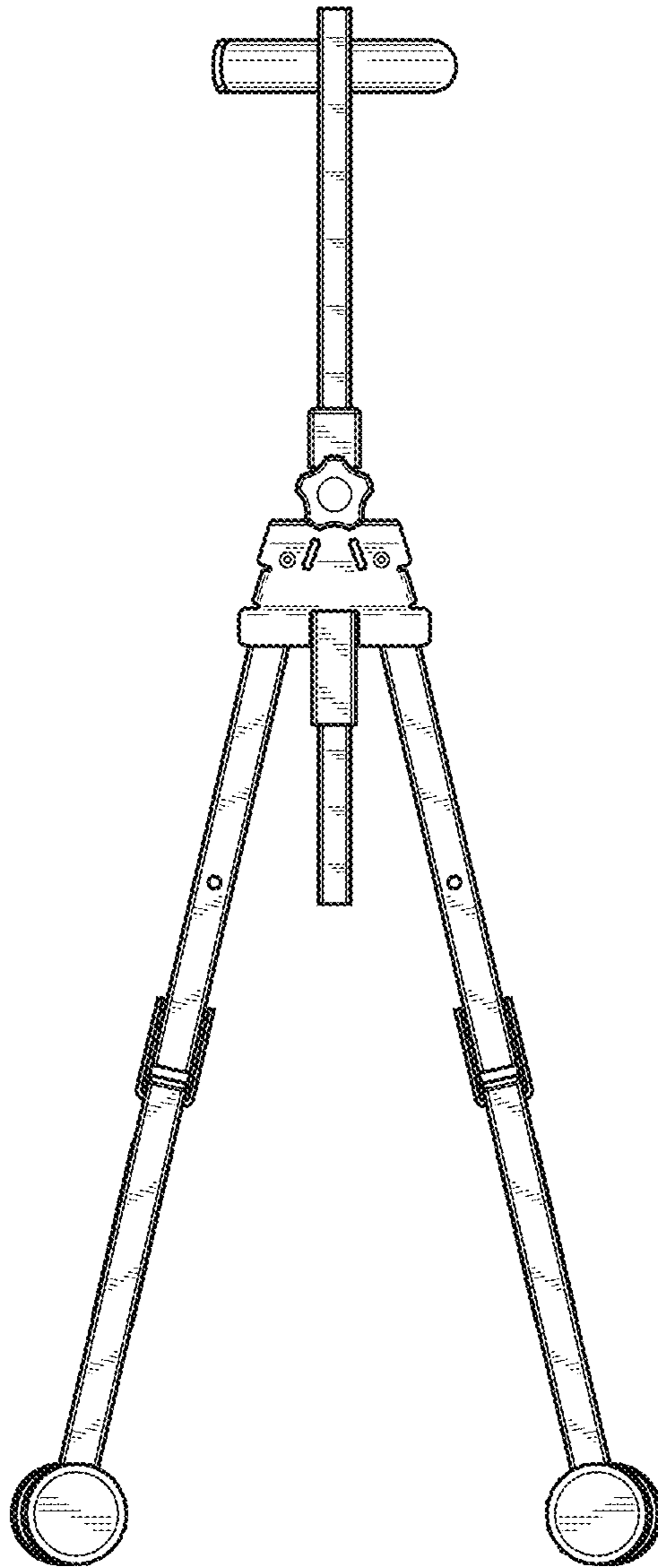


Fig. 3

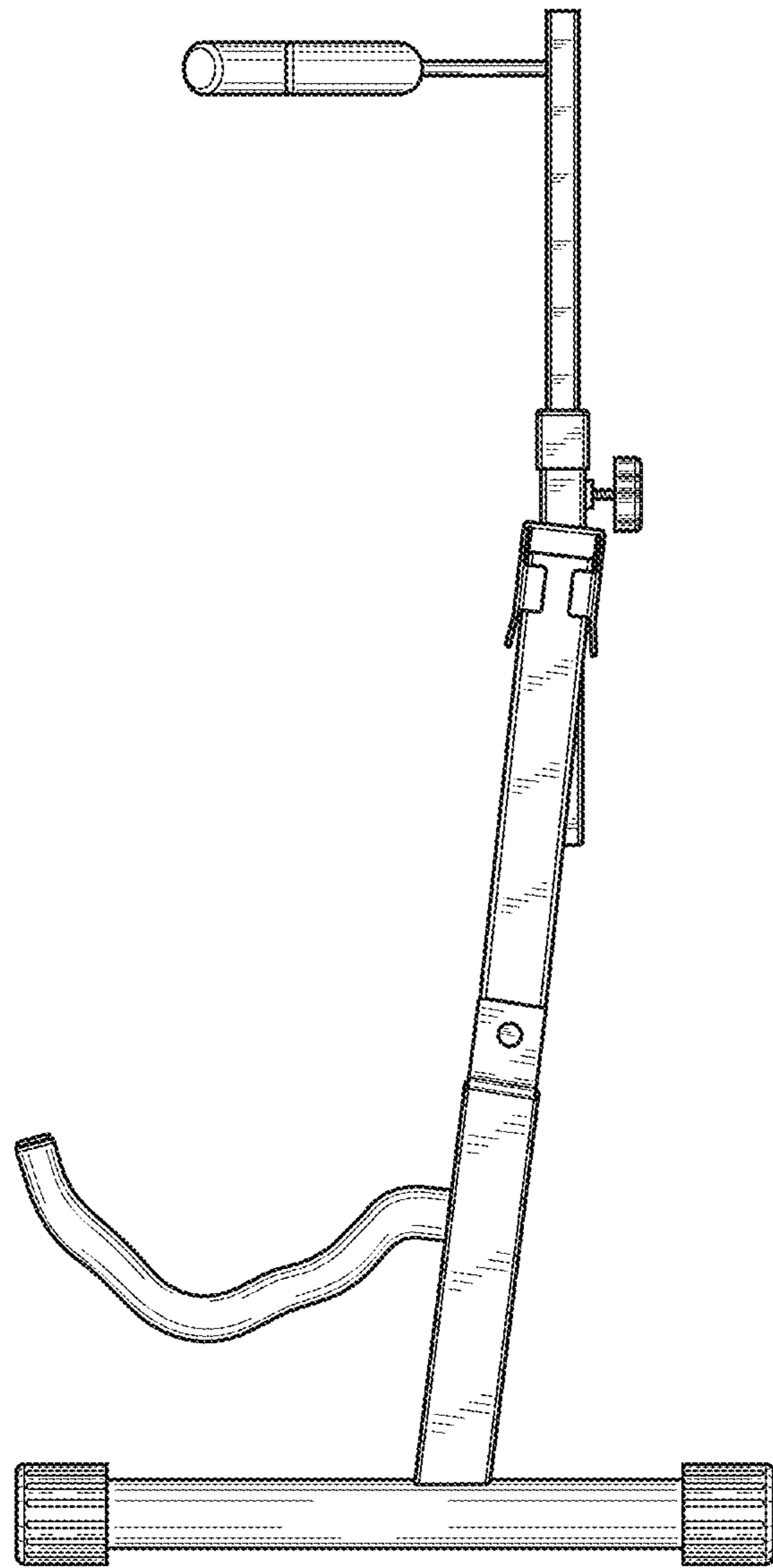


Fig. 4

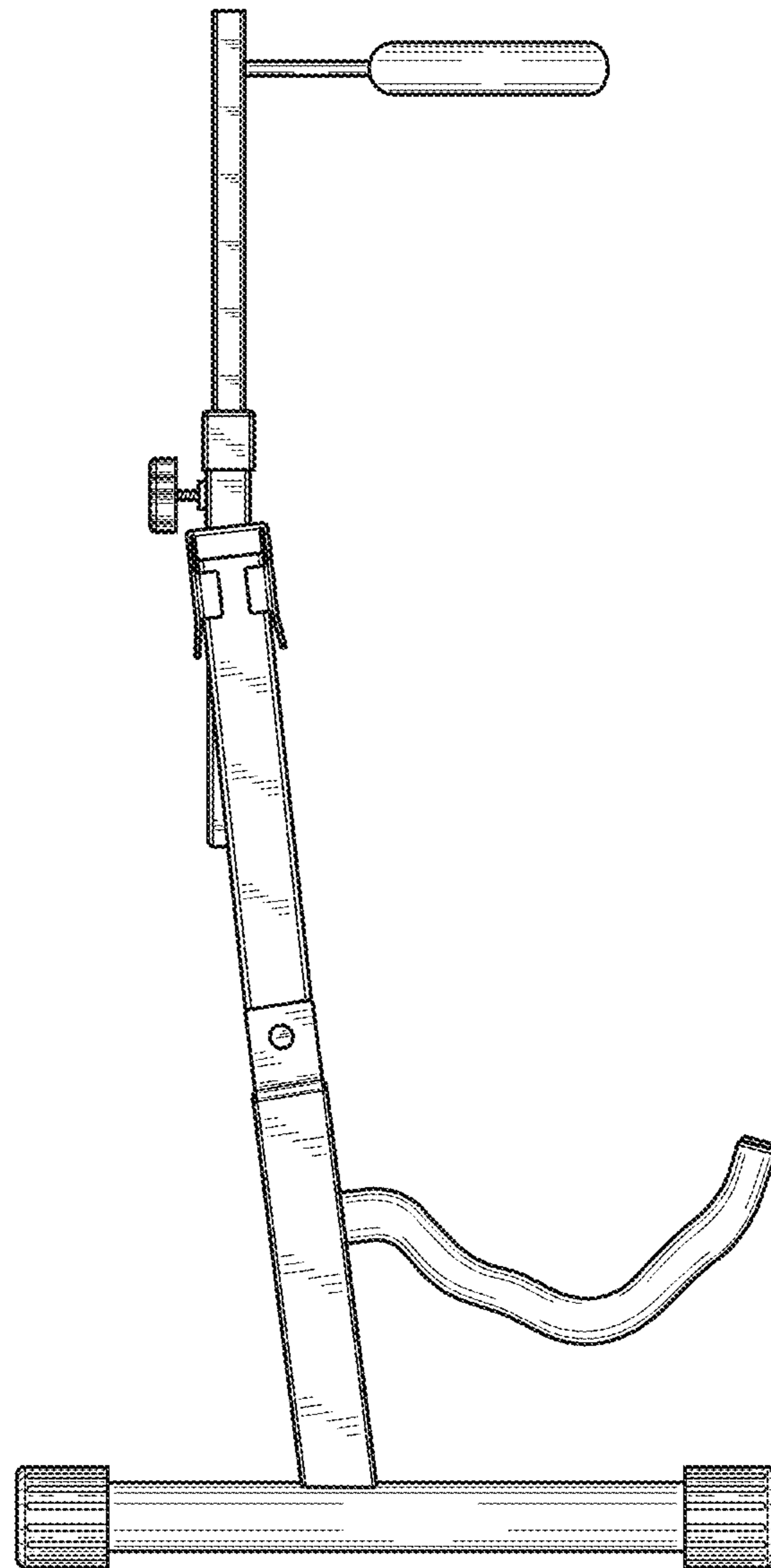


Fig. 5

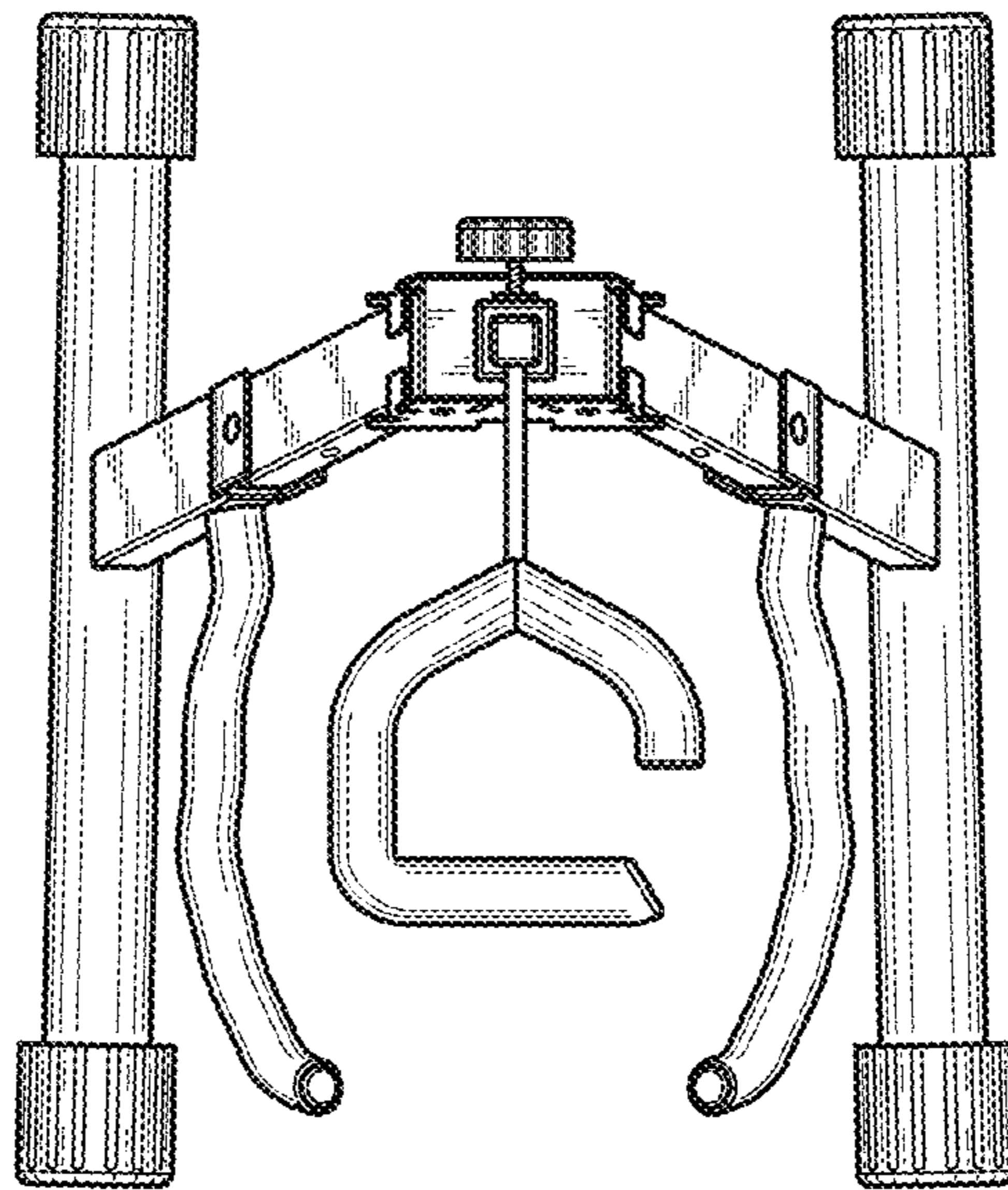


Fig. 6

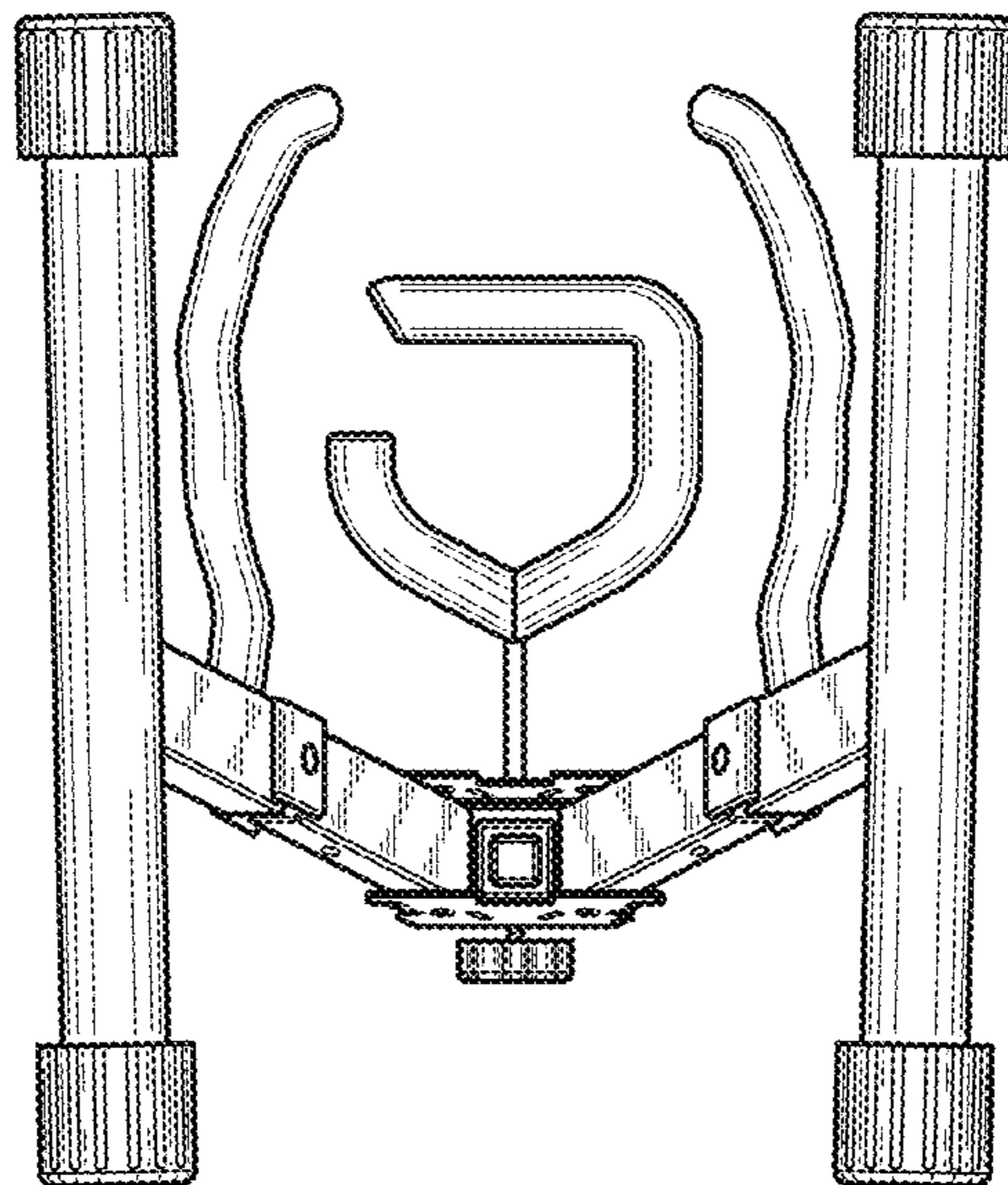


Fig. 7