



US00D987337S

(12) **United States Design Patent**
Yamashiro

(10) **Patent No.:** **US D987,337 S**

(45) **Date of Patent:** **** May 30, 2023**

(54) **SHELF UNIT**

(71) Applicant: **Iris Ohyama Inc.**, Sendai (JP)

(72) Inventor: **Shuhei Yamashiro**, Kakuda (JP)

(73) Assignee: **Iris Ohyama Inc.**, Sendai (JP)

(**) Term: **15 Years**

(21) Appl. No.: **29/794,594**

(22) Filed: **Jun. 14, 2021**

(30) **Foreign Application Priority Data**

Dec. 23, 2020 (JP) 2020-027799 D

(51) **LOC (14) Cl.** **06-04**

(52) **U.S. Cl.**
USPC **D6/675.1**

(58) **Field of Classification Search**
USPC D6/332, 462, 463, 464, 465, 672, 675,
D6/675.1, 675.3, 675.5, 681, 681.2
CPC A47B 57/06; A47B 47/022; A47B 47/028;
A47B 57/487; A47B 96/061; A47B
96/145; A47B 57/485; A47B 57/10; A47F
5/103

See application file for complete search history.

(56) **References Cited**

U.S. PATENT DOCUMENTS

- D205,666 S * 9/1966 Magnuson D6/675.1
- 4,541,344 A * 9/1985 Nichols A47B 47/022
108/108
- D291,164 S * 8/1987 Luyk D6/681.2
- 5,074,422 A * 12/1991 Holtz A47B 57/10
211/187
- D364,763 S * 12/1995 Sielaff D6/675.1
- 7,900,783 B2 * 3/2011 Fernandez F16B 25/0057
211/90.03
- 8,646,624 B2 * 2/2014 Fernandez A47B 47/022
211/90.03
- 10,098,460 B1 * 10/2018 Brinton, Jr. A47B 96/145
- 10,159,340 B2 * 12/2018 Gonzalez A47B 96/06
- D883,719 S * 5/2020 Li D6/675.1

- D903,384 S * 12/2020 Davis D6/675.1
- D909,800 S * 2/2021 Peng D6/672
- D912,444 S * 3/2021 Peng D6/672
- D955,145 S * 6/2022 Huang D6/681

(Continued)

FOREIGN PATENT DOCUMENTS

- CA 55618 * 1/1986
- JP 2019-054984 A 4/2019

(Continued)

OTHER PUBLICATIONS

Newage Industrial, "Quick Change Cantilever Shelving", no first available date <https://www.newageindustrial.com/product/quick-change-cantilever-shelving/> (Year: 2023).*

1st Dibs, "Scandinavian Modular Library Shelving" date of manufacture: 1950-1959 https://www.1stdibs.com/en-gb/furniture/storage-case-pieces/bookcases/scandinavian-modular-library-shelving-yellow-black-metal-reska-denmark/id-f_4899053/ (Year: 1950).*

(Continued)

Primary Examiner — Bao-Yen T Nguyen

Assistant Examiner — Jessica Ruth Grable

(74) *Attorney, Agent, or Firm* — Studebaker & Brackett PC

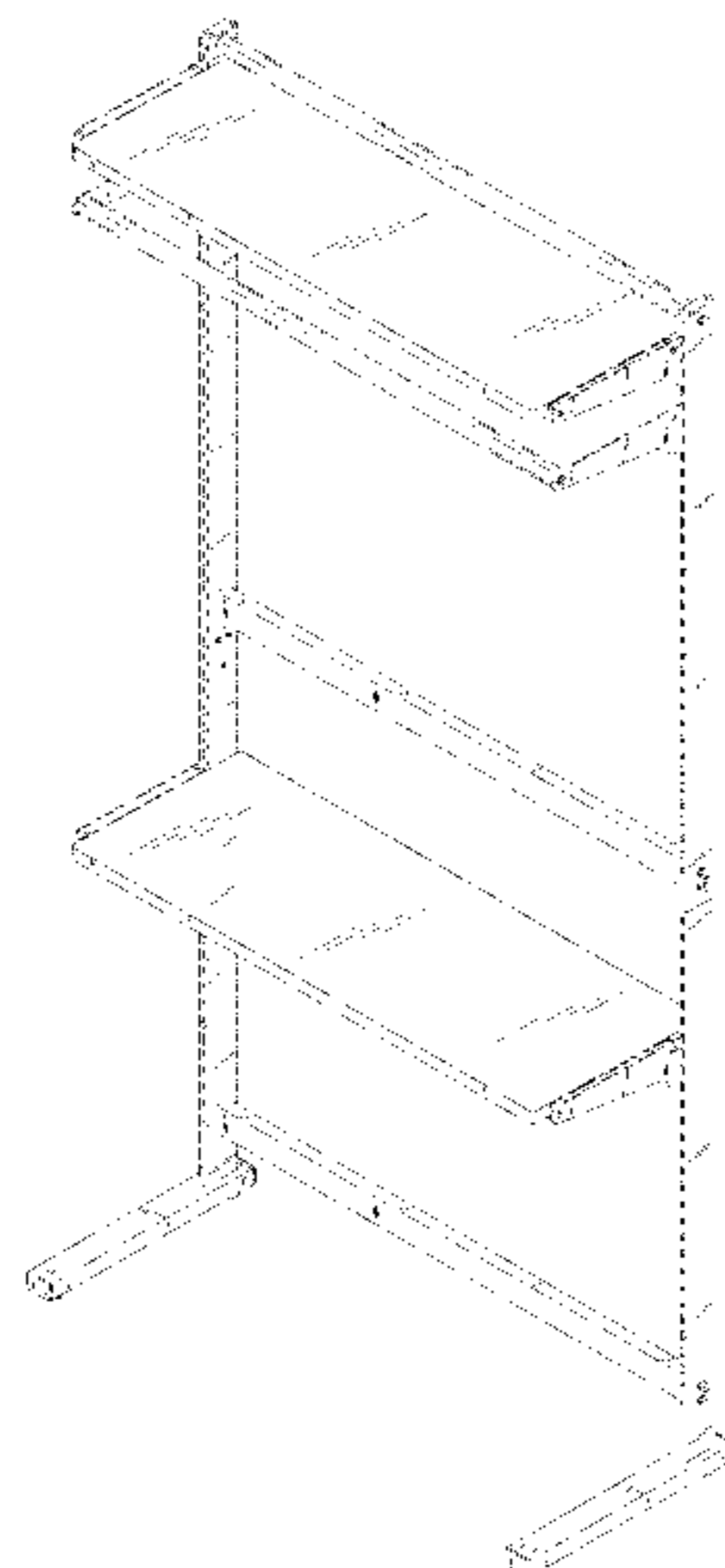
(57) **CLAIM**

The ornamental design for a shelf unit, as shown and described.

DESCRIPTION

FIG. 1 is a front, top and right-side perspective view of a shelf unit showing my new design;
FIG. 2 is a rear, top and left-side perspective view thereof;
FIG. 3 is a front view thereof;
FIG. 4 is a rear view thereof;
FIG. 5 is a top view thereof;
FIG. 6 is a bottom view thereof; and,
FIG. 7 is a right-side view thereof; with the left-side view being a mirror image.

1 Claim, 7 Drawing Sheets



(56)

References Cited

U.S. PATENT DOCUMENTS

D970,932 S * 11/2022 Zhao D6/675.3
 D972,869 S * 12/2022 Sun D6/675.1
 2005/0011420 A1* 1/2005 Costa A47B 47/022
 108/108
 2011/0266237 A1* 11/2011 Artigues A47B 45/00
 211/90.04
 2013/0105426 A1* 5/2013 Dyck A47B 57/485
 211/184
 2016/0198849 A1* 7/2016 Espinosa A47B 61/003
 108/29
 2020/0054125 A1* 2/2020 Robinson A47B 96/028

FOREIGN PATENT DOCUMENTS

KR 300989155.0000 * 1/2019
 WO D217323-003 * 3/2021

OTHER PUBLICATIONS

Closet Maid, "Adjustable Closet Organizer Kit", first available Feb. 25, 2015 https://www.amazon.ca/ClosetMaid-78809-ShelfTrack-Adjustable-Organizer/dp/B00UZ2WJ2A/ref=sr_1_26?crid=3H4JHJ87443MX&keywords=Cantilever%2Bcloset%2Bsystem&qid=1674604428&s=kitchen&sprefix=cantilever%2Bcloset%2Bsystem%2Ckit (Year: 2015).*

Best Buy, "Gym Rax", no first available date https://www.bestbuy.com/site/gym-rax-6-ft-streamline-bay-gym-storage-storm-grey/6447754.p?skuId=6447754&ref=212&loc=1&gclid=EAAlQobChMllqulxsjh_AIVCq_ICh3-IQEjEAsYAyABEgJvOPD_BwE&gclid=aw.ds (Year: 2023).*

Cecile Co., Ltd., website publication, (Japan Patent Office Design Patent Department, publicly known reference number (HJ24016919). A Notice of Allowance mailed by the Japanese Patent Office on May 18, 2021, which corresponds to Japanese Design Application No. 2020-027799 and is related to Design U.S. Appl. No. 29/794,594 with partial English translation.

* cited by examiner

FIG.1

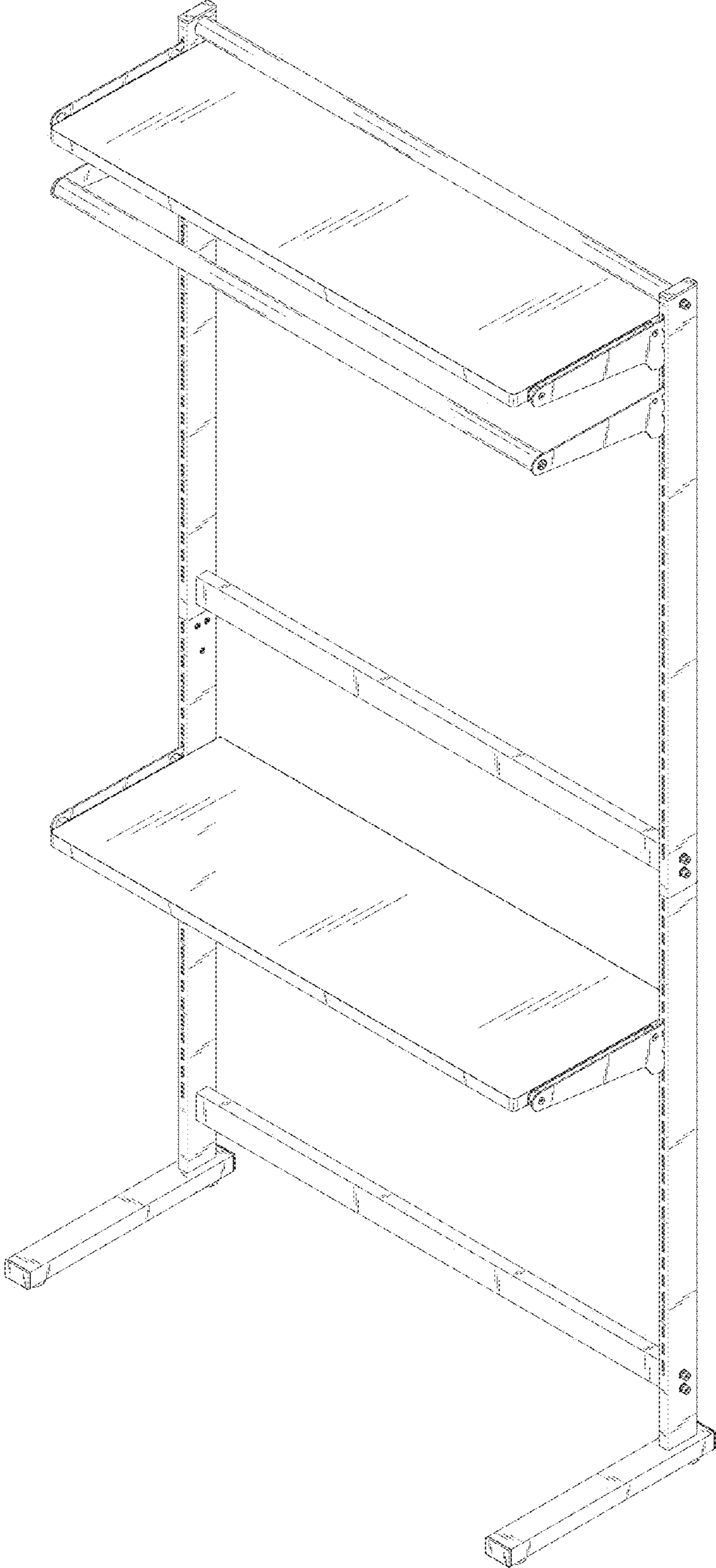


FIG.2

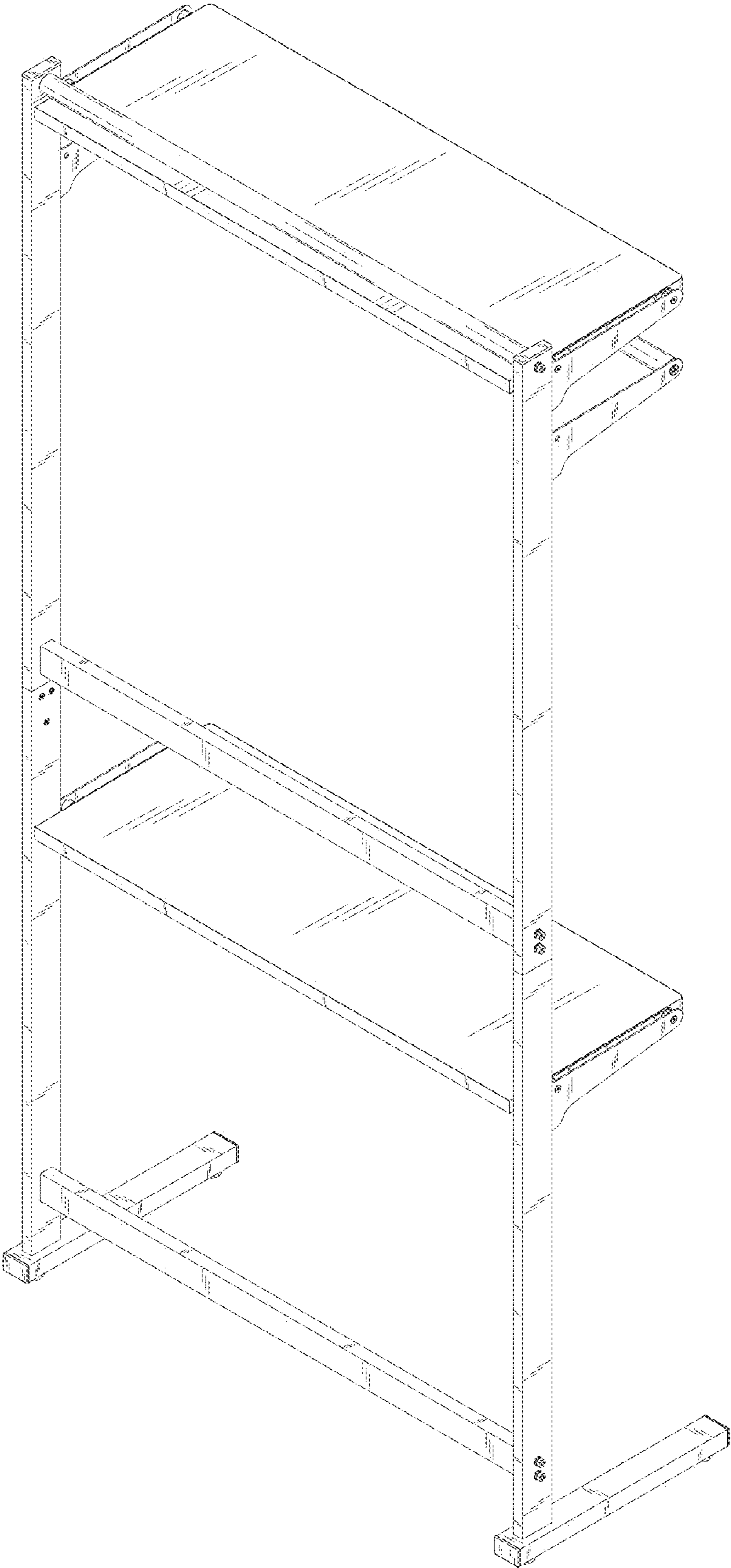


FIG.3

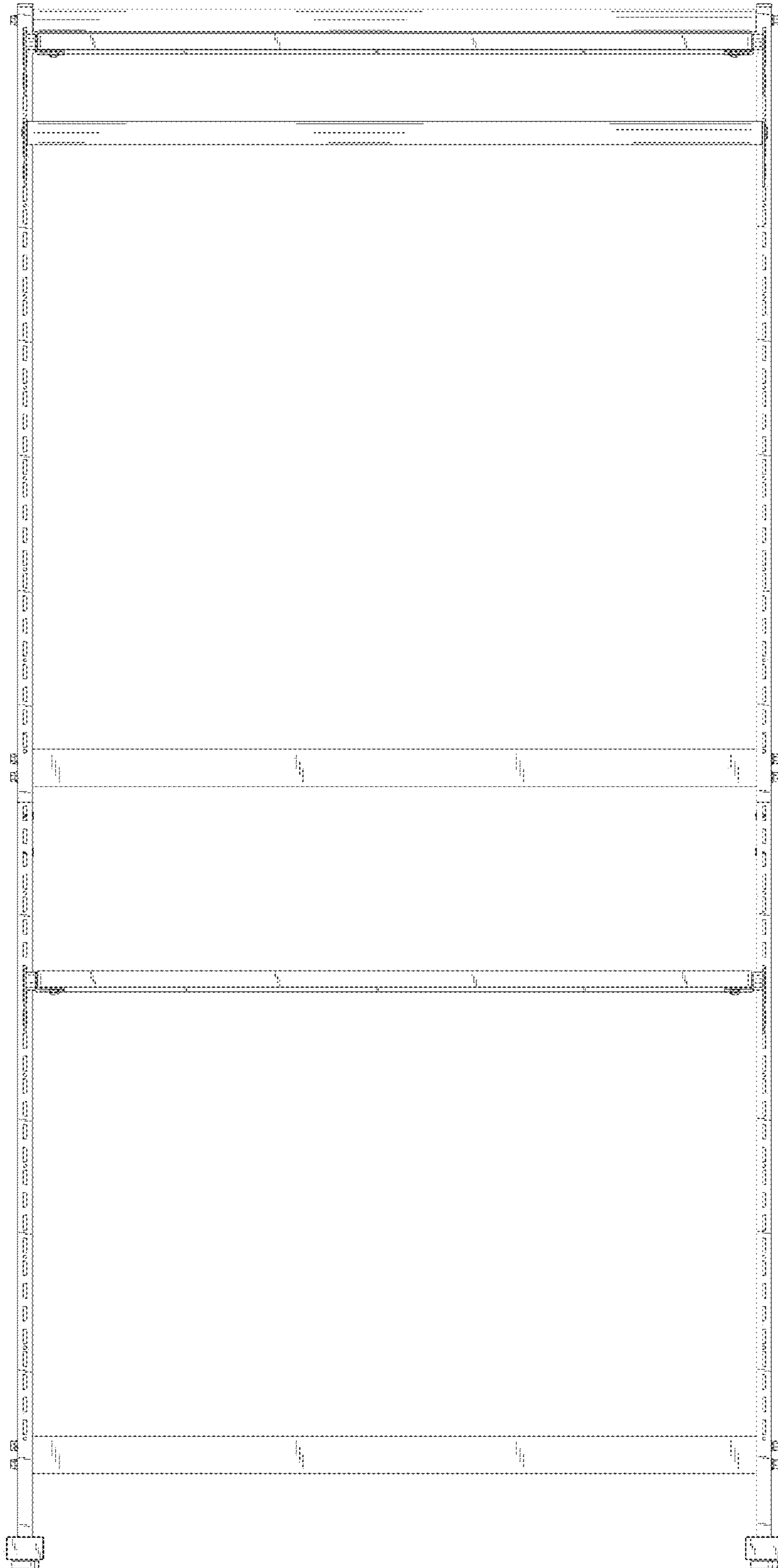


FIG.4

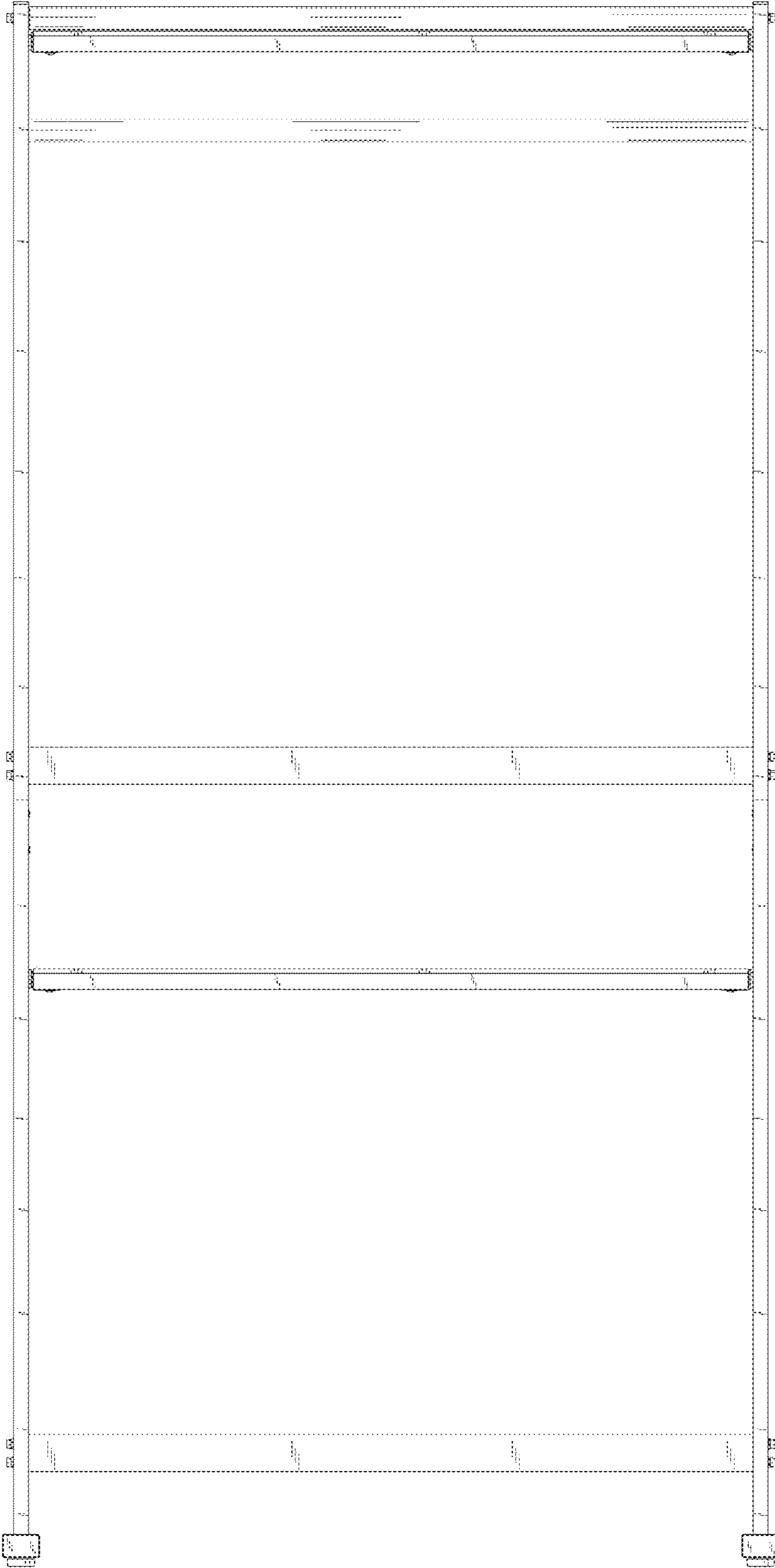


FIG.5

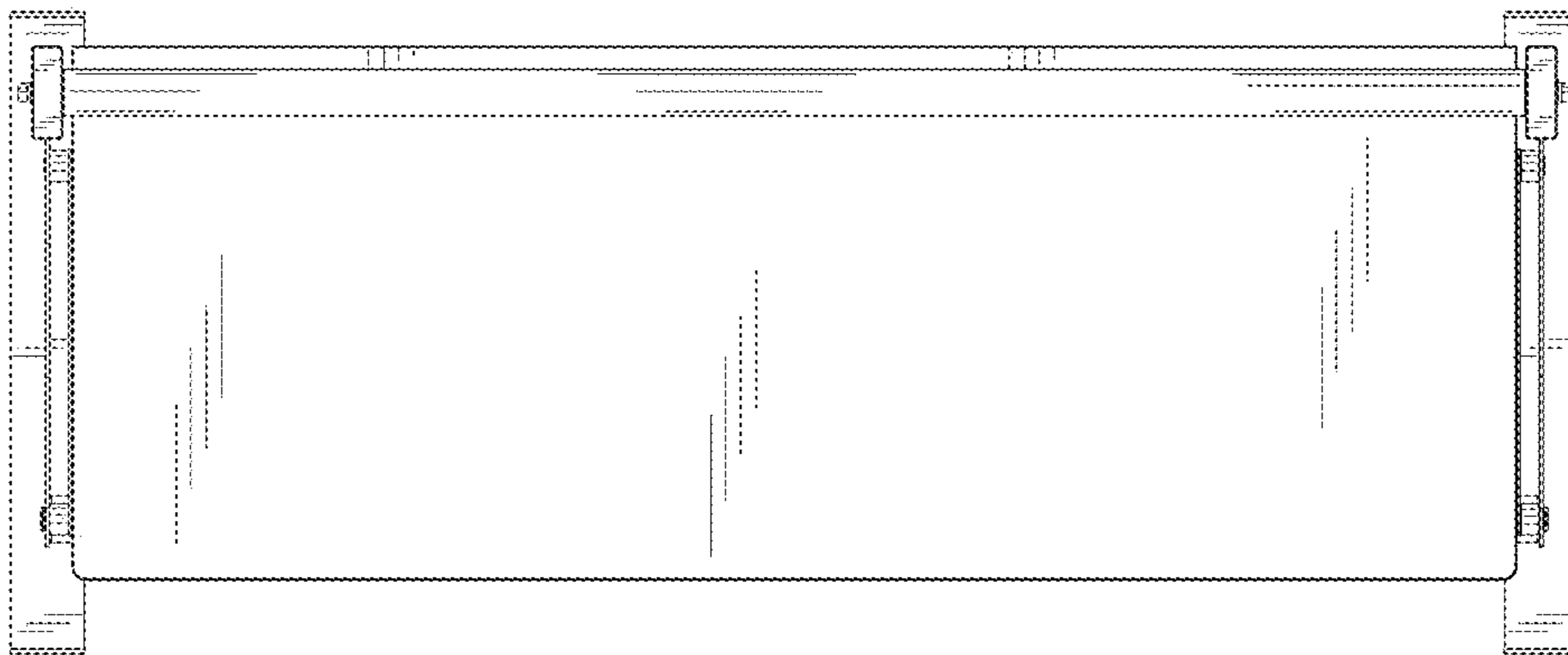


FIG.6

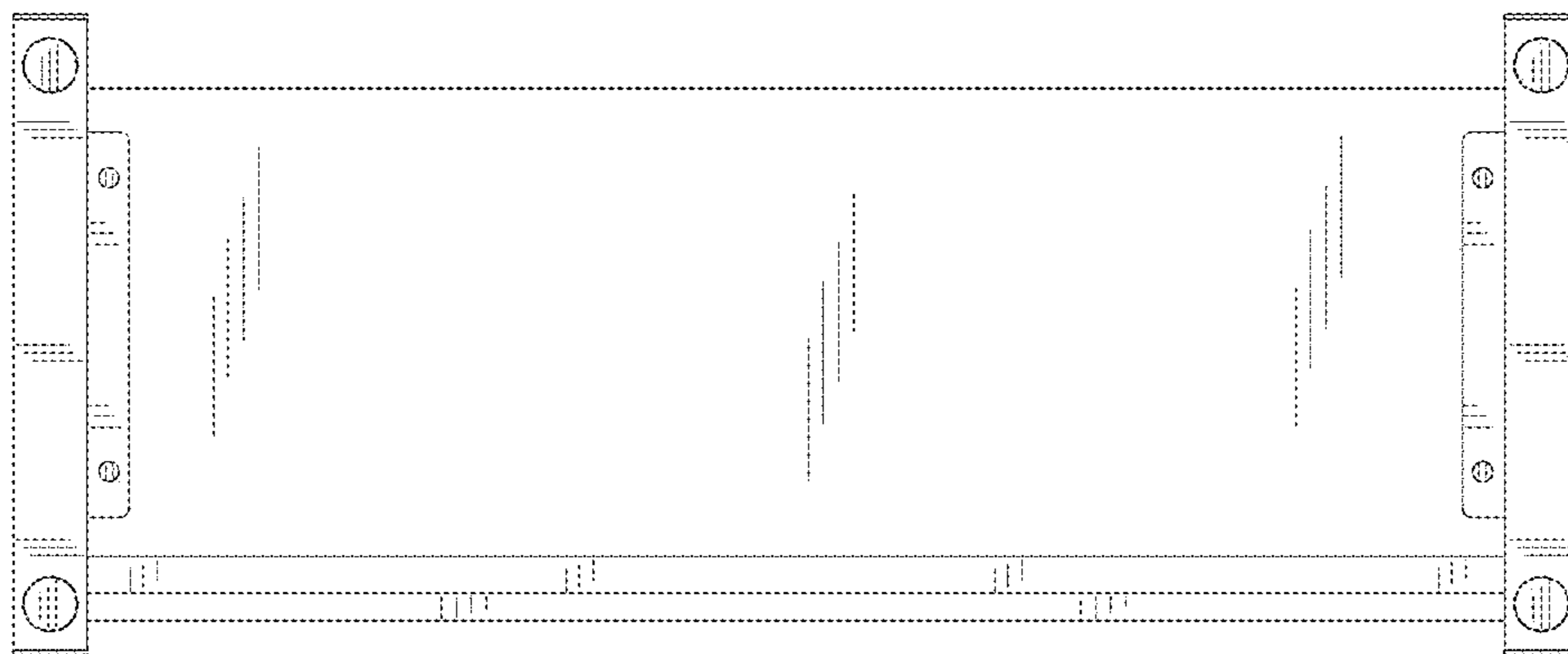


FIG.7

