



US00D987336S

(12) **United States Design Patent** (10) **Patent No.:** **US D987,336 S**  
**Gao** (45) **Date of Patent:** **\*\* May 30, 2023**

(54) **STORAGE CABINET**

(71) Applicant: **Yingqiang Gao**, Luoyang (CN)

(72) Inventor: **Yingqiang Gao**, Luoyang (CN)

(\*\*) Term: **15 Years**

(21) Appl. No.: **29/859,575**

(22) Filed: **Nov. 11, 2022**

**Related U.S. Application Data**

(62) Division of application No. 29/833,307, filed on Apr. 2, 2022, now Pat. No. Des. 972,345.

(51) **LOC (14) Cl.** ..... **06-04**

(52) **U.S. Cl.**  
USPC ..... **D6/671.2**

(58) **Field of Classification Search**  
USPC ..... D6/663, 664, 671, 671.1, 671.2, 671.3, 671.4  
CPC ..... A47B 43/003; A47B 47/02; A47B 47/04; A47B 85/00; A47B 77/10; A47B 63/00  
See application file for complete search history.

(56) **References Cited**

**U.S. PATENT DOCUMENTS**

D204,719	S	*	5/1966	Smith	.....	D6/671.1
D242,968	S	*	1/1977	Gulick	.....	D6/671.1
D312,014	S	*	11/1990	Friedman	.....	D6/553
D473,070	S	*	4/2003	Kelley	.....	D6/671.1
D488,648	S	*	4/2004	Stanton	.....	D6/703
D498,371	S	*	11/2004	McDaniel	.....	D6/671.1
D537,267	S	*	2/2007	Belhumeur	.....	D6/671.1
D965,354	S	*	10/2022	Wang	.....	D6/671.1
D972,345	S	*	12/2022	Gao	.....	D6/671.1
D977,286	S	*	2/2023	Gao	.....	D6/671.2
D979,989	S	*	3/2023	Ren	.....	D6/671

**OTHER PUBLICATIONS**

Giantex, posted at amazon.com, posted on Dec. 3, 2021, site visited Mar. 23, 2023. online, available from internet: <https://www.amazon.com/dp/B09MZKQ9JZ/> (Year: 2021).\*

Home square, posted at amazon.com, posted on Jan. 28, 2022, site visited Mar. 23, 2023. online, available from internet: <https://www.amazon.com/dp/B09RG38MVY/> (Year: 2022).\*

\* cited by examiner

*Primary Examiner* — Catherine Ho

(74) *Attorney, Agent, or Firm* — Rumit Ranjit Kanakia

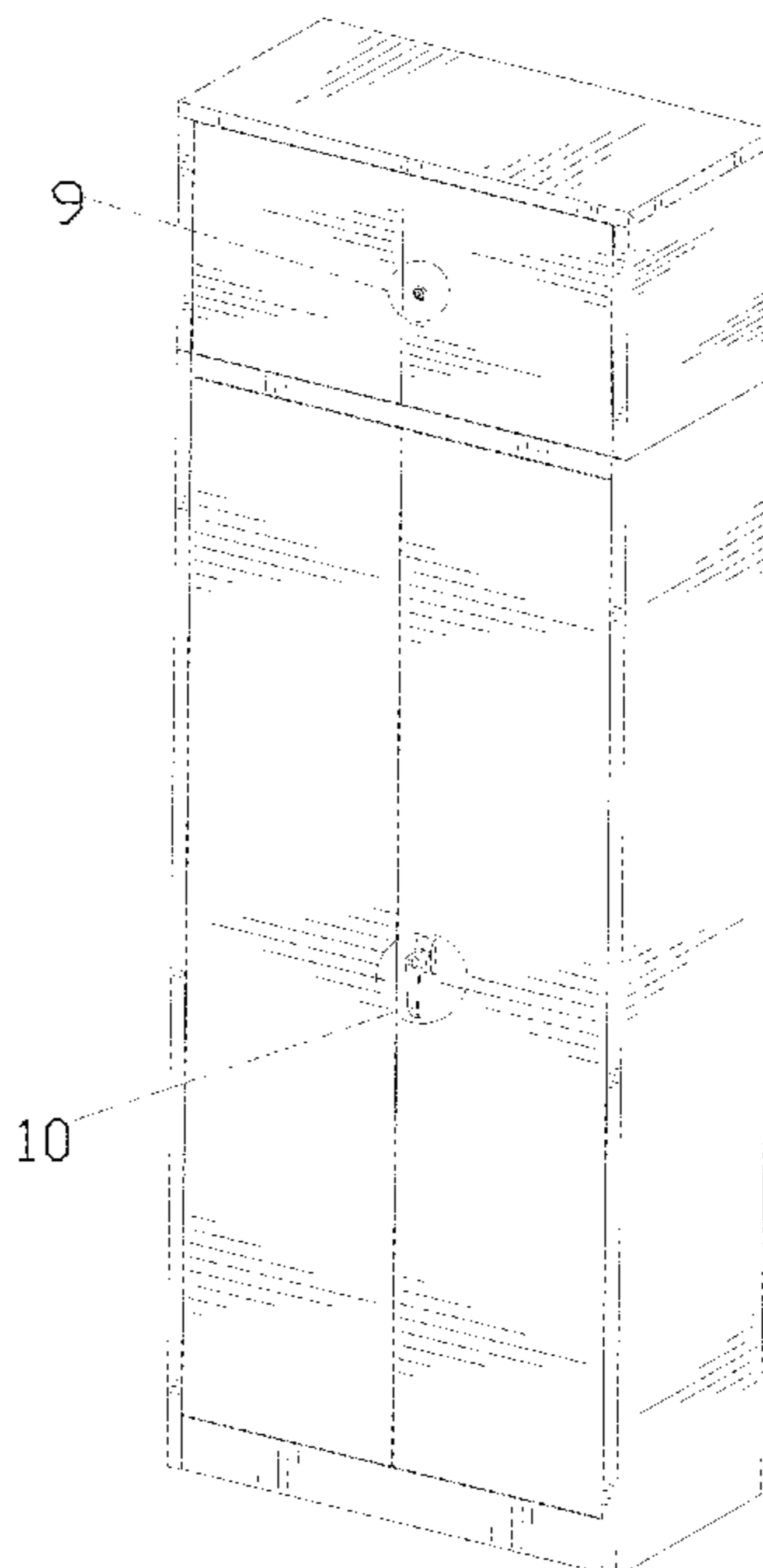
(57) **CLAIM**

The ornamental design for a storage cabinet, as shown and described.

**DESCRIPTION**

FIG. 1 is a top perspective view of a cabinet, showing my new design;  
FIG. 2 is a bottom perspective view thereof;  
FIG. 3 is a front view thereof;  
FIG. 4 is a back view thereof;  
FIG. 5 is a left side view thereof;  
FIG. 6 is a right side view thereof;  
FIG. 7 is a top view thereof;  
FIG. 8 is a bottom view thereof;  
FIG. 9 is an enlarged detailed view of encircled area 9 in FIG. 1; and,  
FIG. 10 is an enlarged detailed view of the encircled area 10 in FIG. 1.  
The broken lines shown in the drawings depict portions of the storage cabinet that form no part of the claimed design.

**1 Claim, 10 Drawing Sheets**



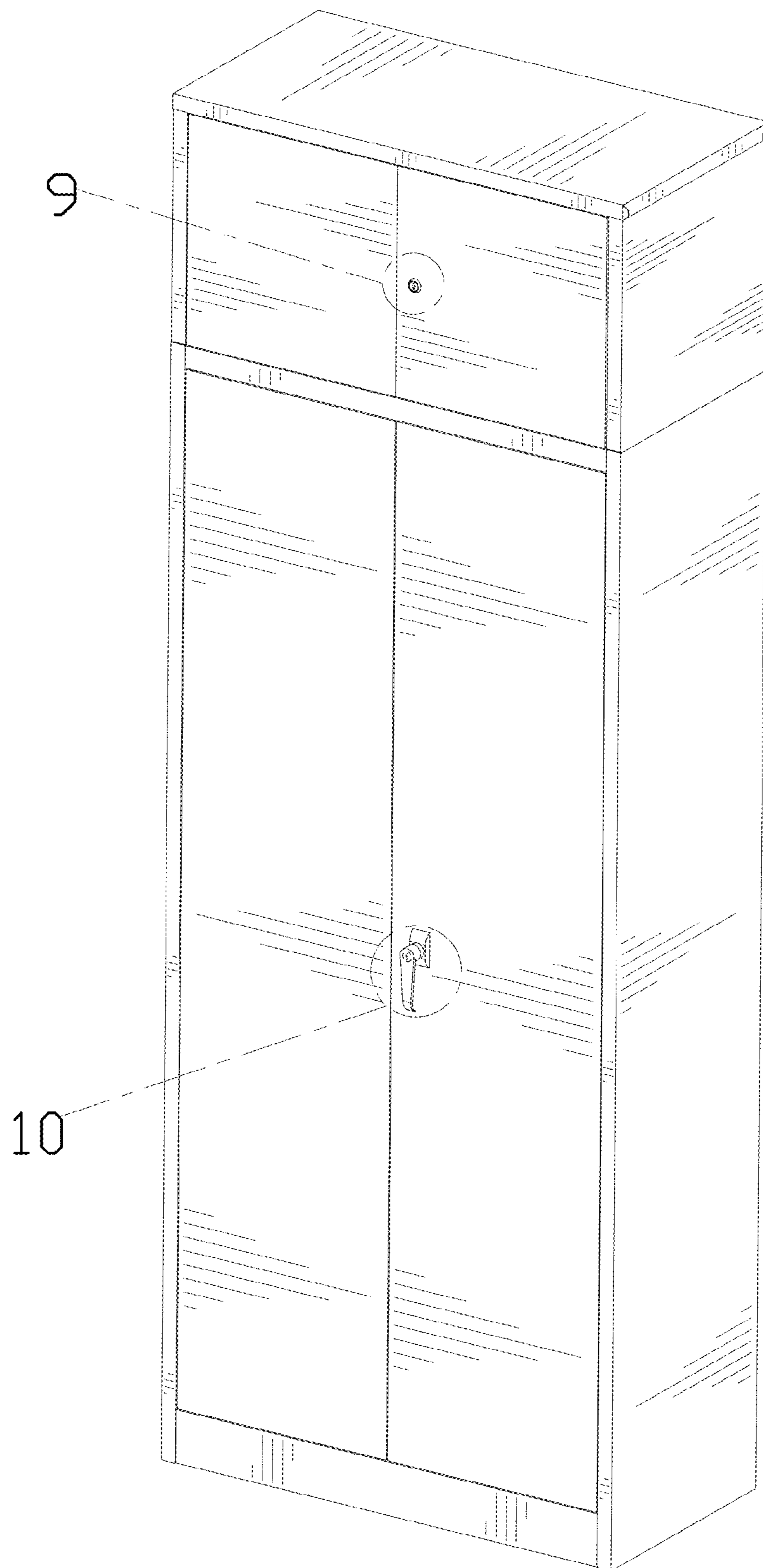


FIG. 1

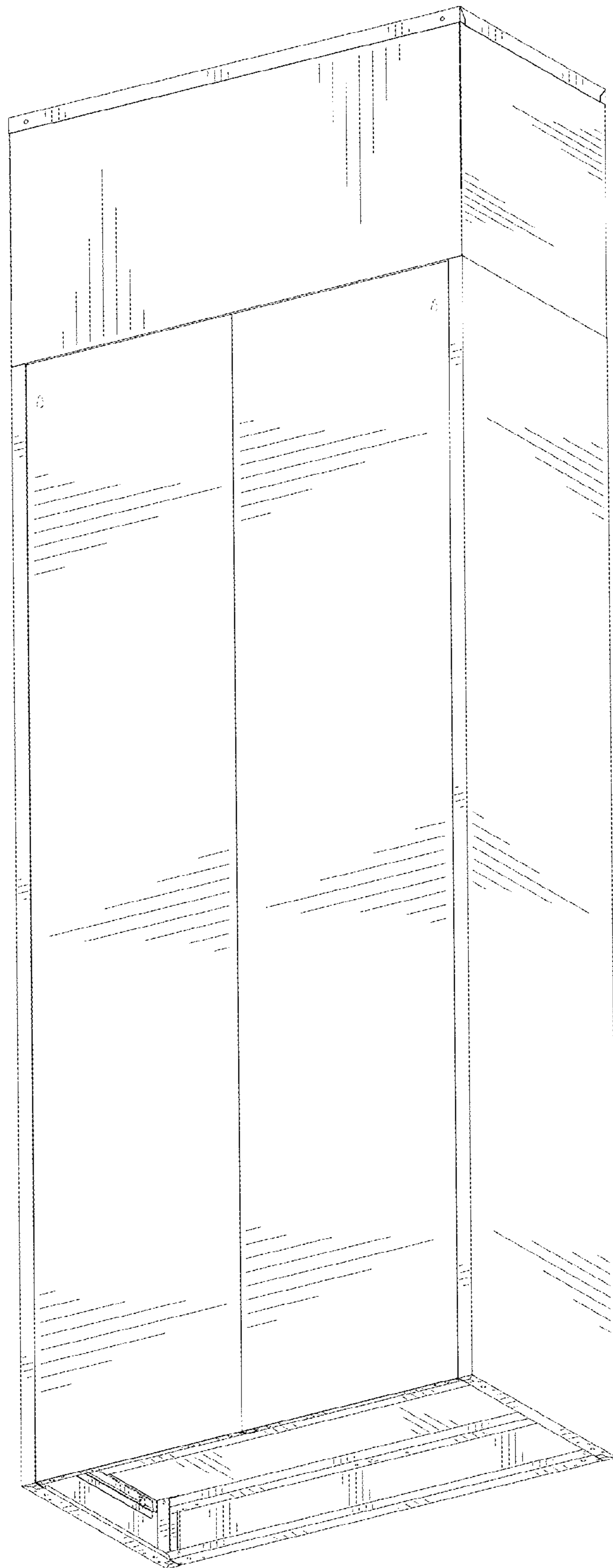


FIG. 2

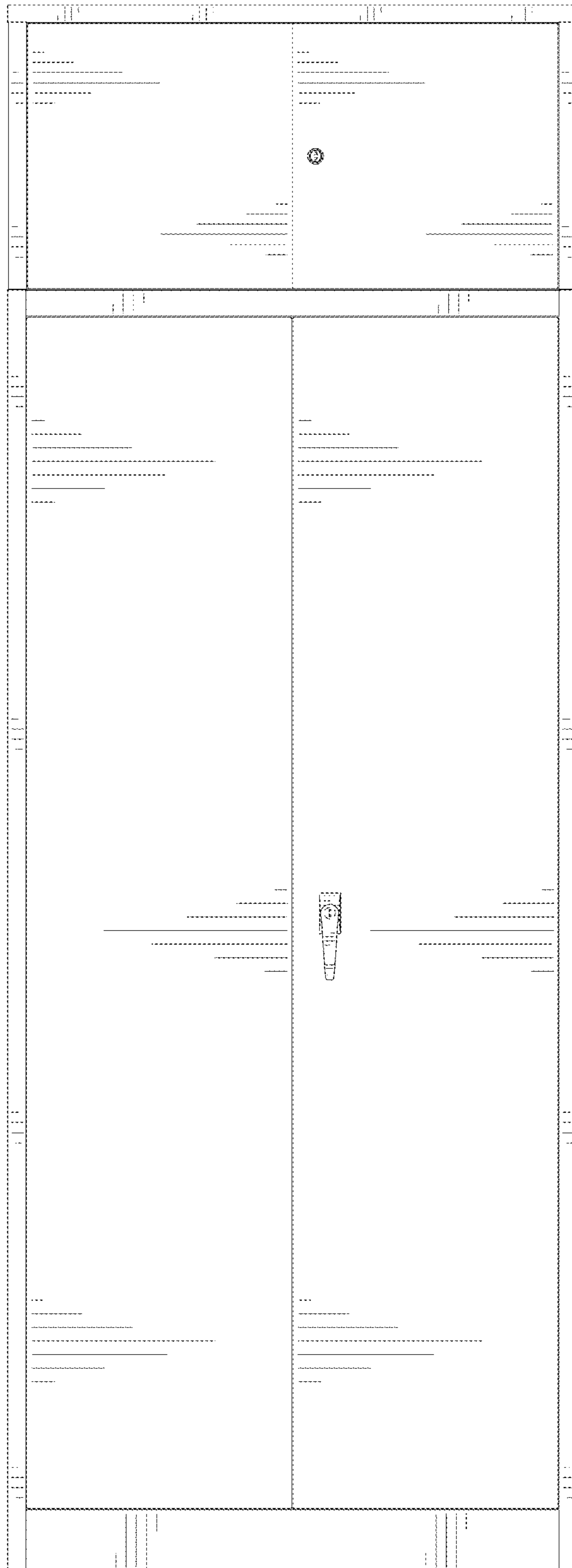


FIG. 3

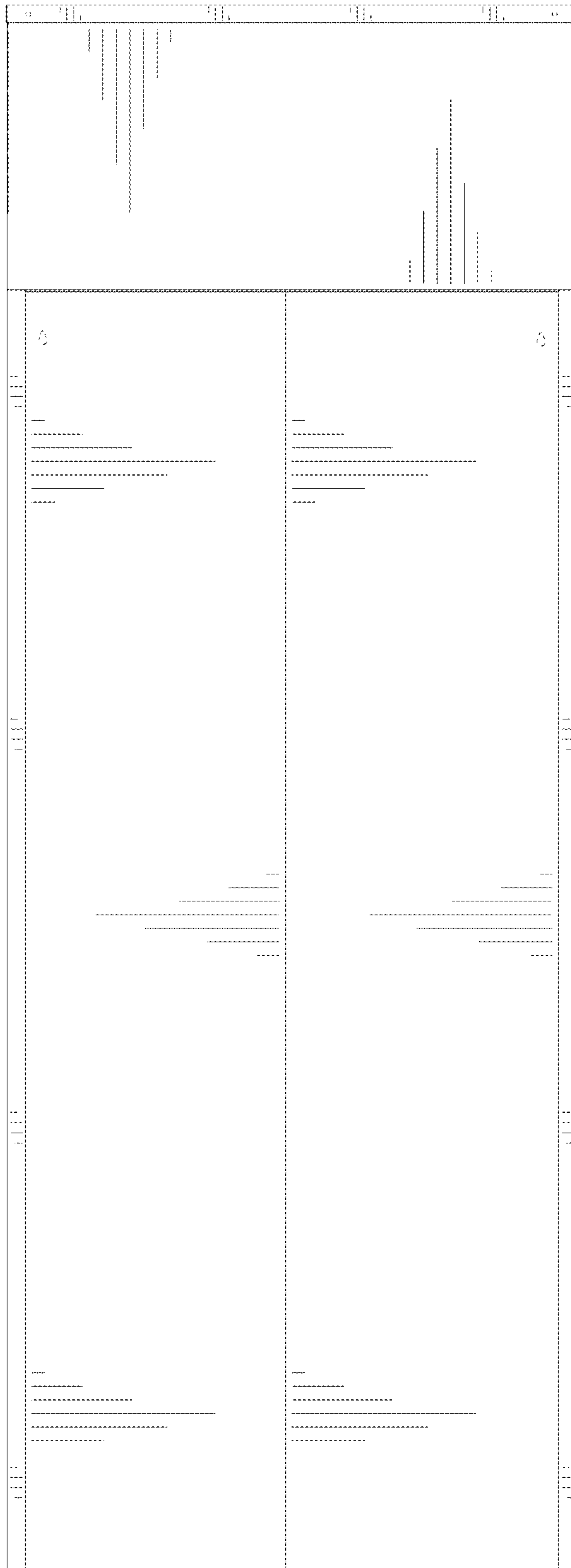


FIG. 4

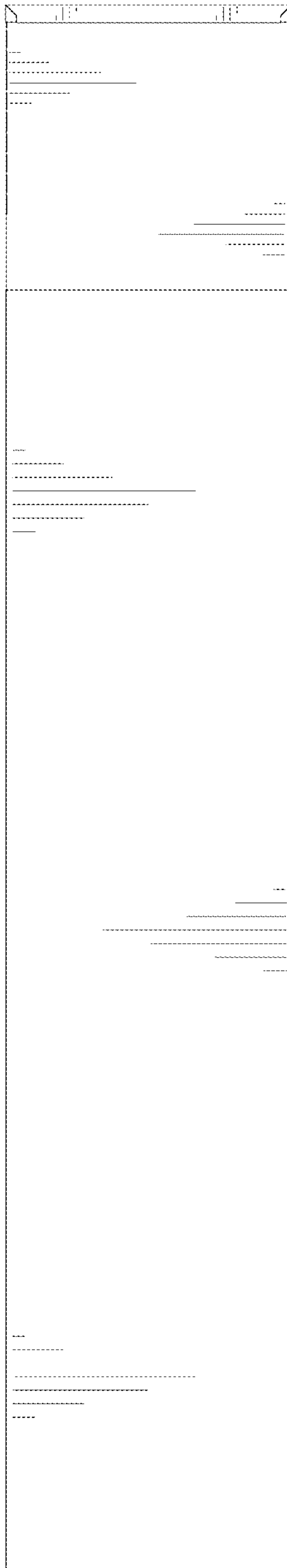


FIG. 5

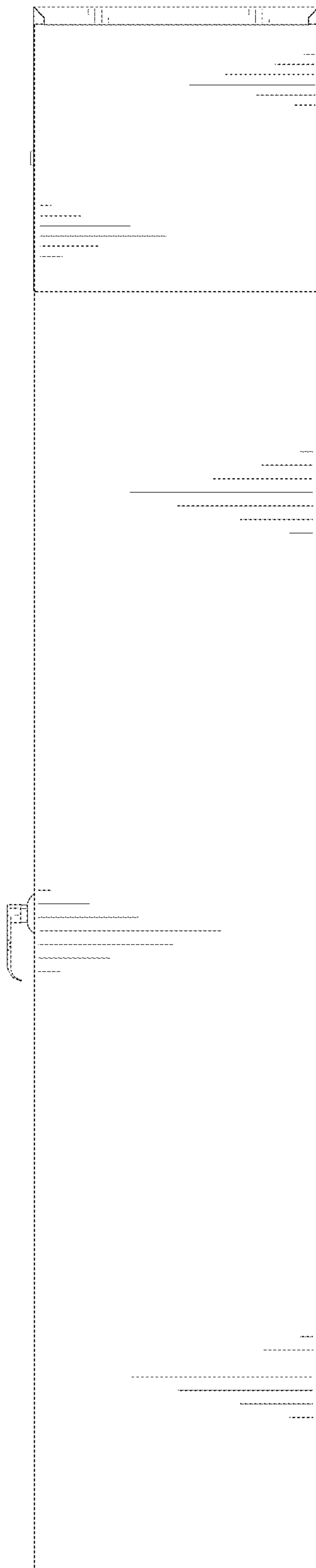


FIG. 6

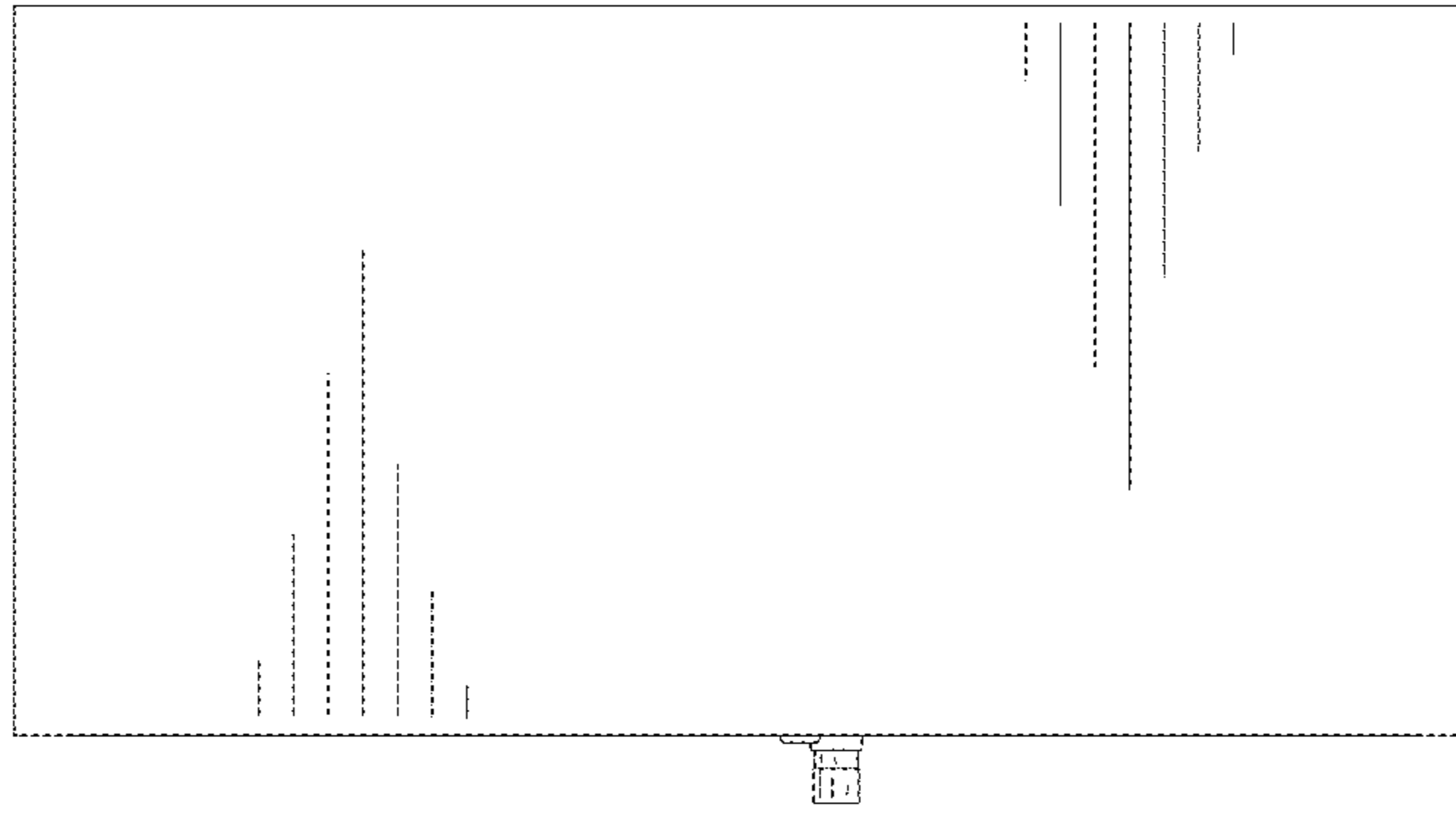


FIG. 7



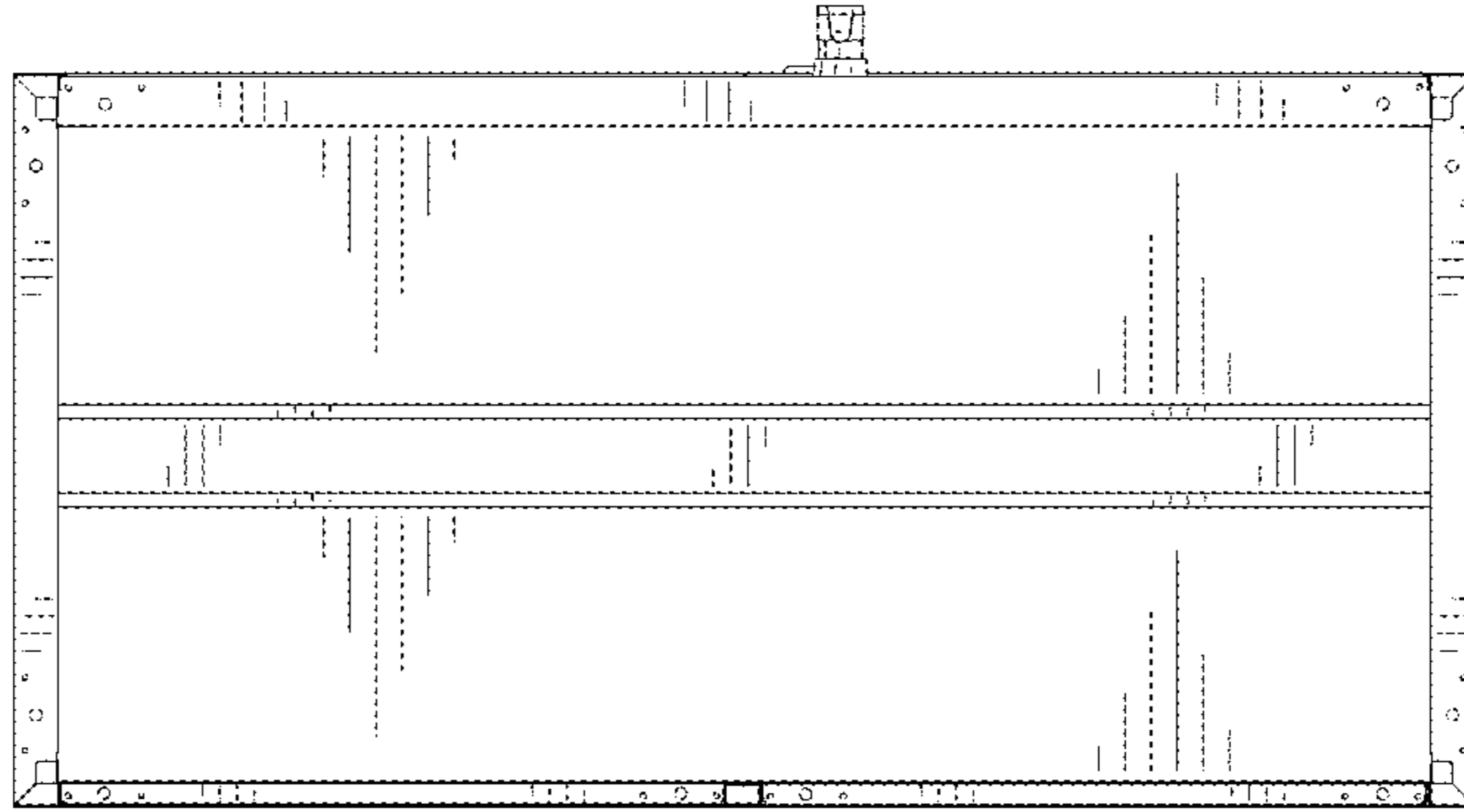


FIG. 8

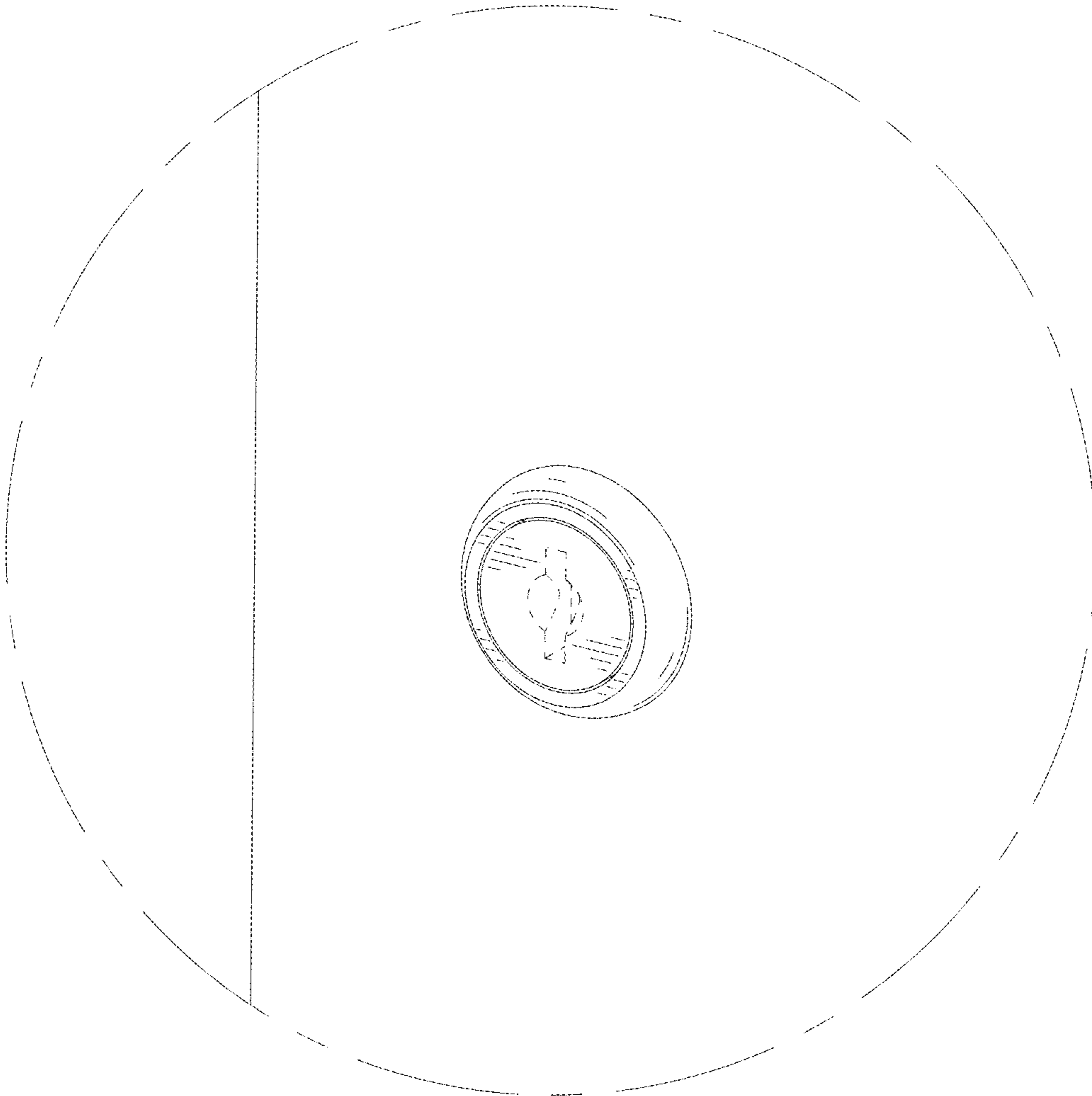


FIG. 9

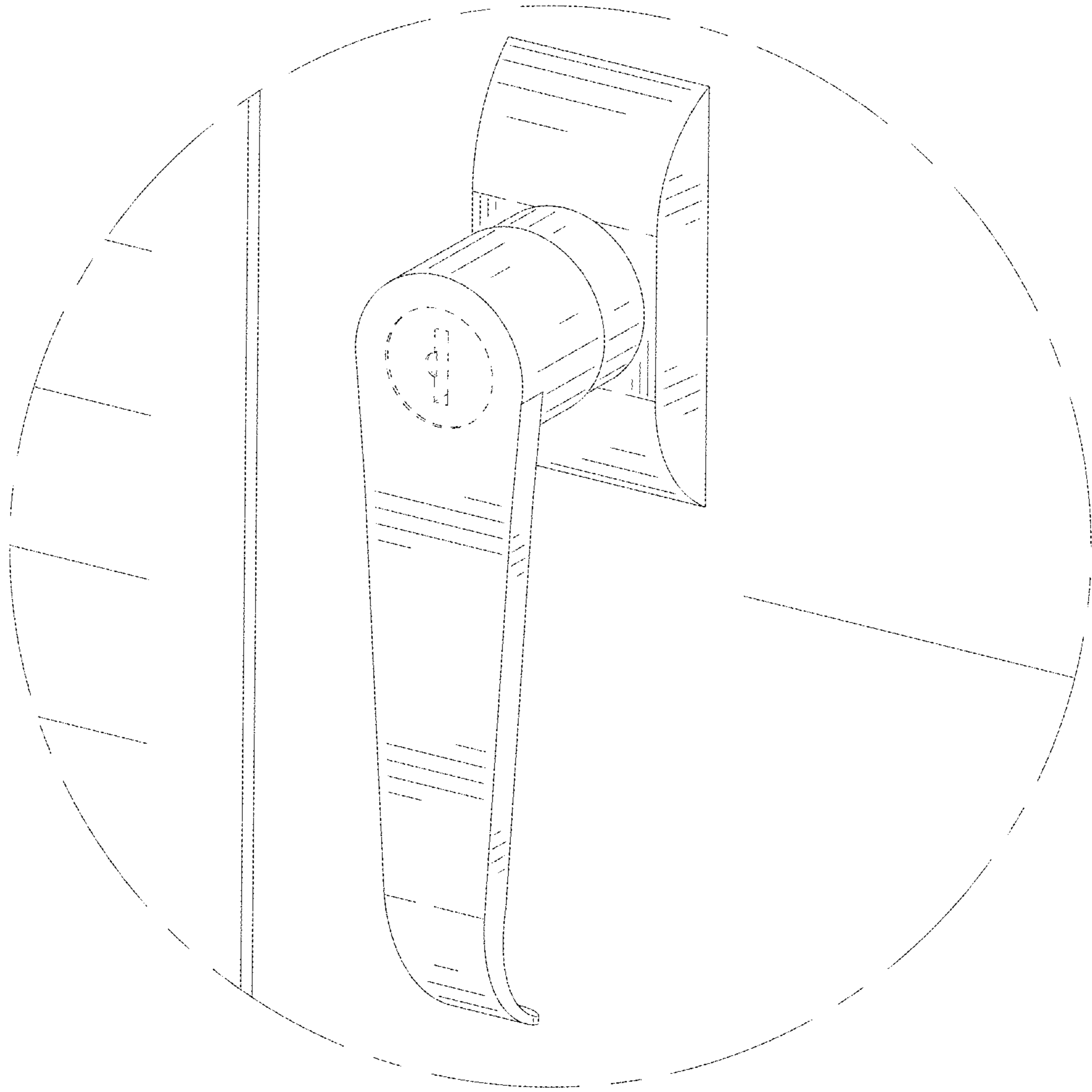


FIG. 10