



US00D987333S

(12) **United States Design Patent**
Hu

(10) **Patent No.:** **US D987,333 S**

(45) **Date of Patent:** **** May 30, 2023**

(54) **DESK**

(71) Applicant: **Yajun Hu**, El Dorado Hills, CA (US)

(72) Inventor: **Yajun Hu**, El Dorado Hills, CA (US)

(73) Assignees: **Yajun Hu**, Moreau, CT (US);
EUREKA LLC, EL Dorado Hills, CA (US)

(**) Term: **15 Years**

(21) Appl. No.: **29/749,555**

(22) Filed: **Sep. 7, 2020**

(51) **LOC (14) Cl.** **06-03**

(52) **U.S. Cl.**
USPC **D6/656**

(58) **Field of Classification Search**
USPC D6/611, 642, 565, 656.1, 656.13, 656.14,
D6/656.16, 656.17-656.19
CPC A47B 7/00; A47B 13/00; A47B 13/02;
A47B 13/04; A47B 13/06; A47B 13/08;
A47B 13/10; A47B 13/12; A47B 13/16;
A47B 17/00; A47B 21/00; A47B
21/0314; A47B 2021/0364; A47B
2200/0001; A47B 2200/0011; A47B
2200/002

See application file for complete search history.

(56) **References Cited**

U.S. PATENT DOCUMENTS

4,703,700 A 11/1987 Sema
D336,394 S * 6/1993 Ball D6/656.13

D478,225 S	8/2003	Wang	
D499,273 S	12/2004	Chang	
D499,576 S	12/2004	Long	
D526,812 S	8/2006	Chen	
D547,970 S	8/2007	Chou	
D549,009 S	8/2007	Lin	
8,118,375 B2	2/2012	Berthiaume et al.	
9,572,422 B2	2/2017	Ergun et al.	
9,591,919 B2	3/2017	Ergun et al.	
9,635,932 B2	5/2017	Kelley et al.	
D861,383 S *	10/2019	Hu	D6/656.17
D882,988 S *	5/2020	Hu	D6/656.17
D889,169 S *	7/2020	Hu	D6/656.11
D916,533 S *	4/2021	Huang	D6/656.16
D931,659 S *	9/2021	Hu	D6/656.16

* cited by examiner

Primary Examiner — Mary Ann Calabrese

(57) **CLAIM**

I claim the ornamental design for a desk, as shown and described.

DESCRIPTION

FIG. 1 is a perspective view of a desk, showing my new design;
FIG. 2 is a front view thereof;
FIG. 3 is a rear side view thereof; and
FIG. 4 is a top view thereof;
FIG. 5 is a bottom view thereof; and,
FIG. 6 is a left side view thereof.
The portions of the desk shown in broken lines form no part of the claimed design.

1 Claim, 6 Drawing Sheets



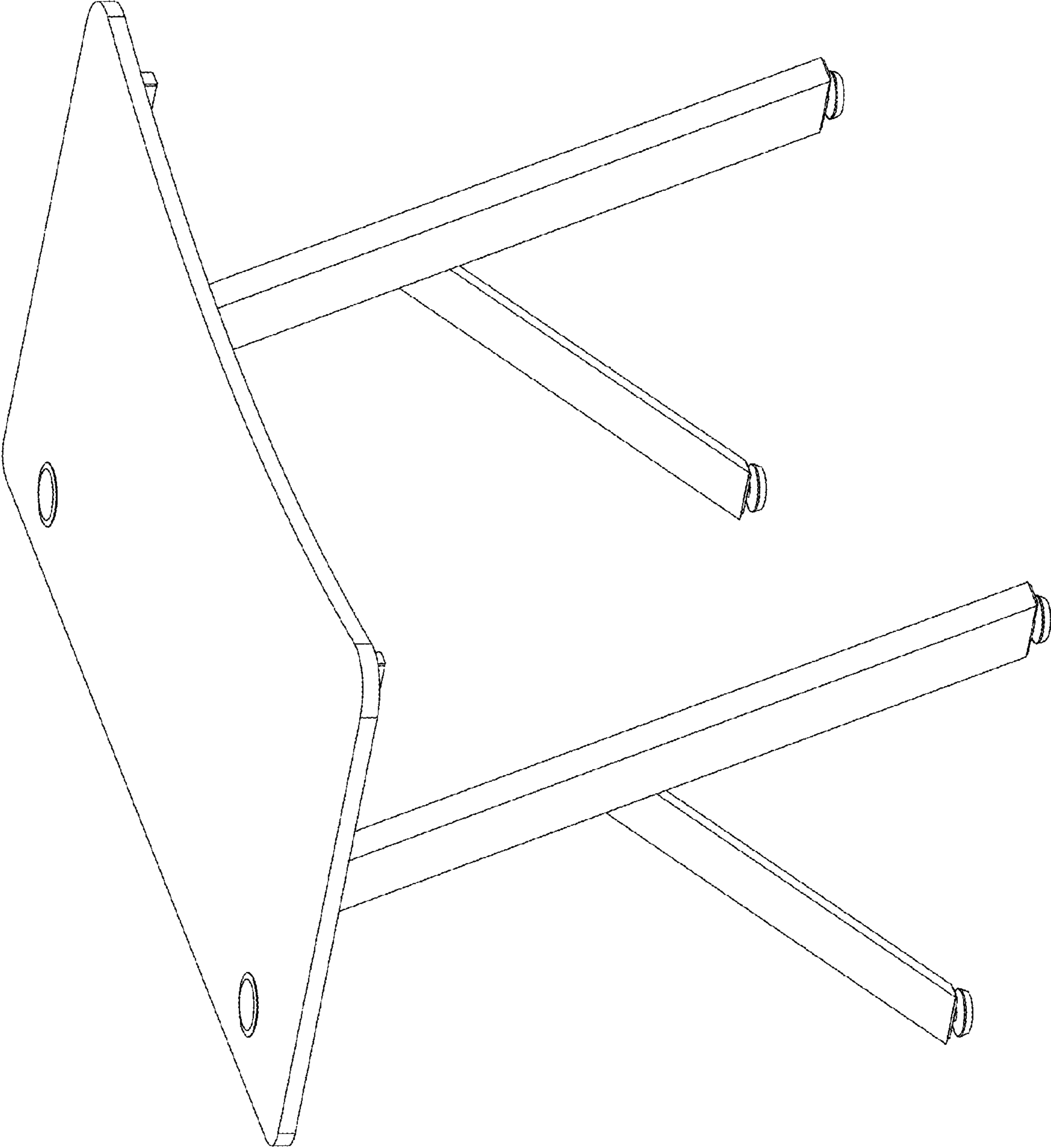


FIG. 1



FIG.2



FIG.3

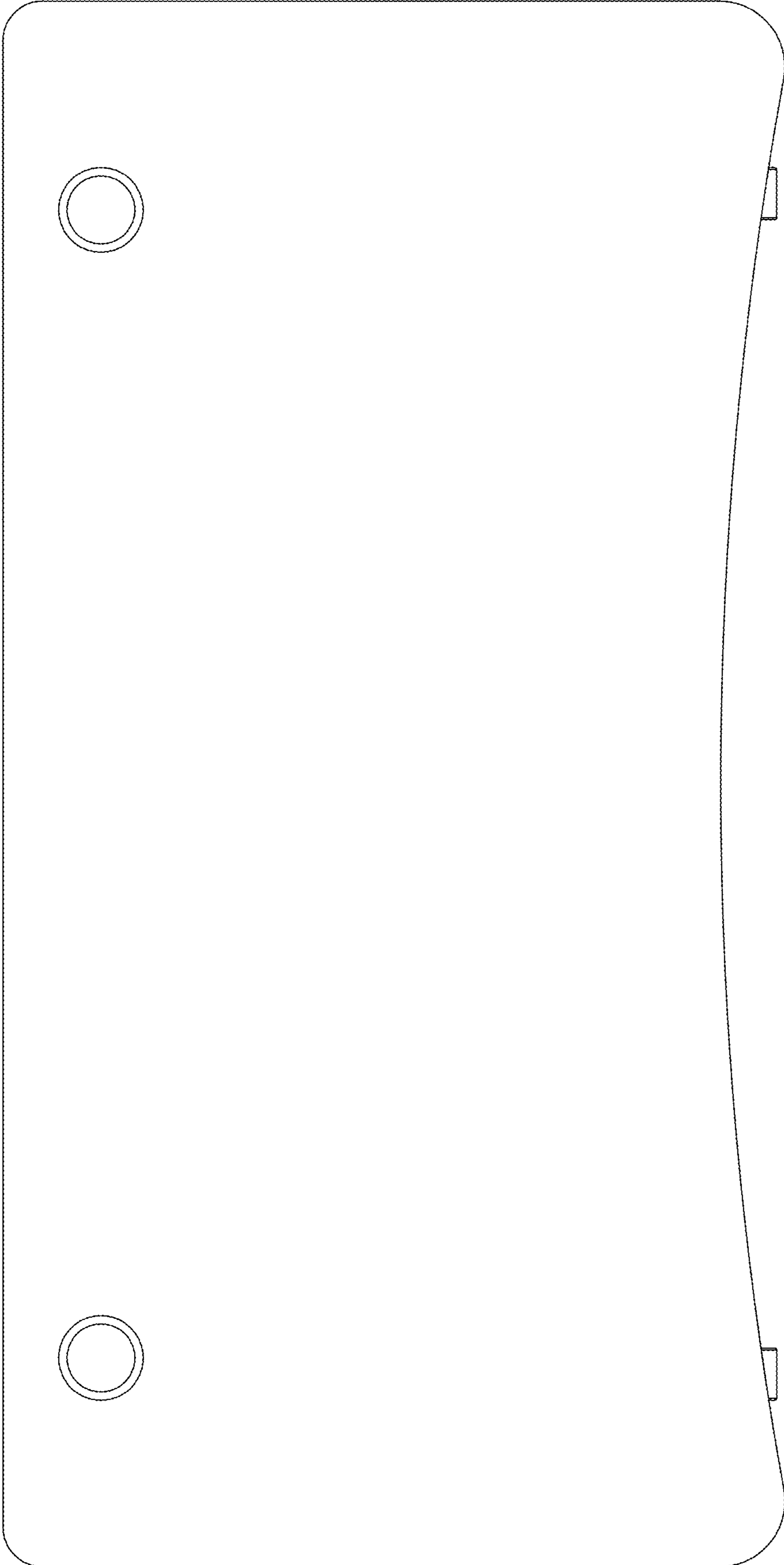


FIG.4

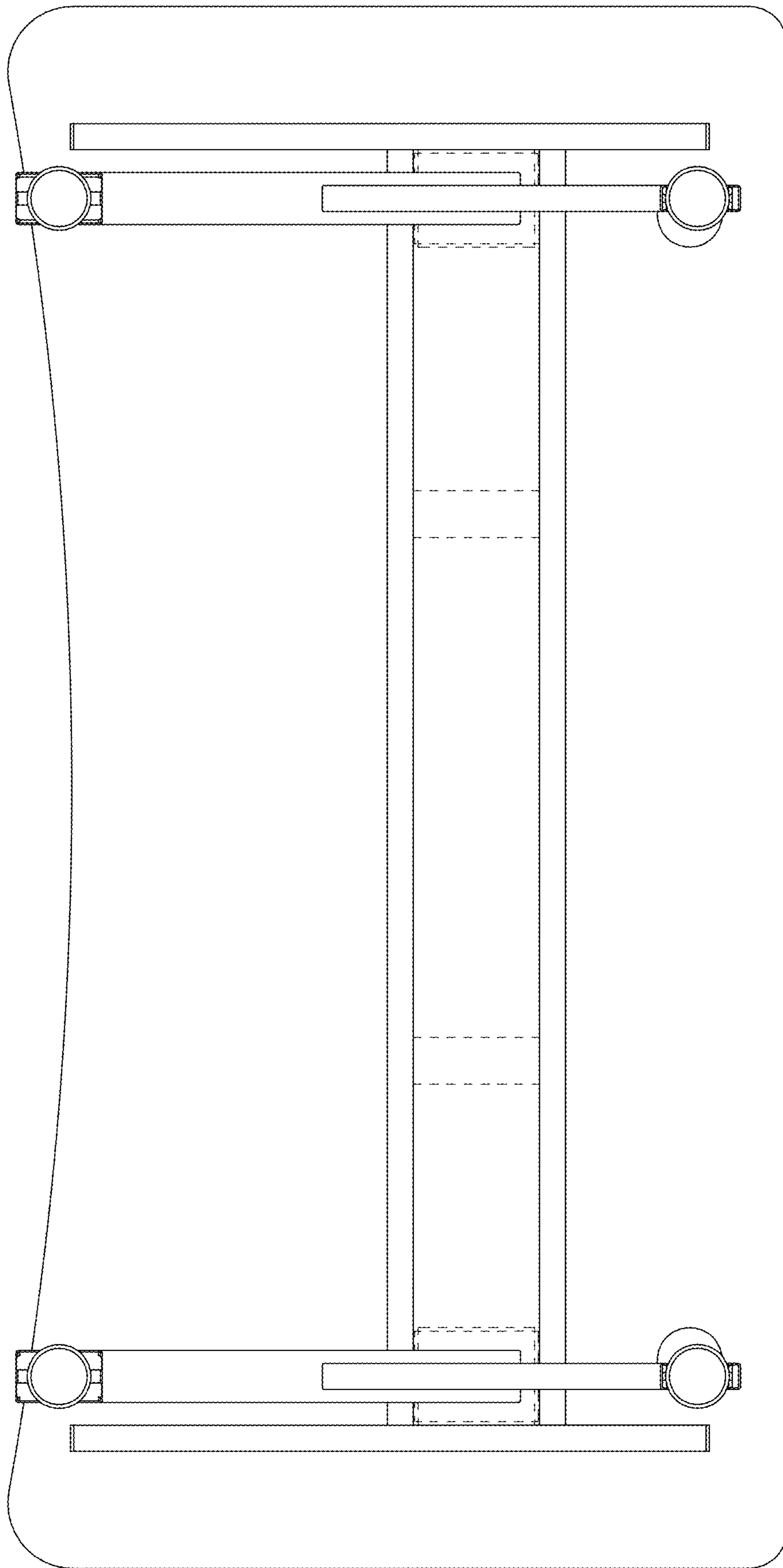


FIG. 5

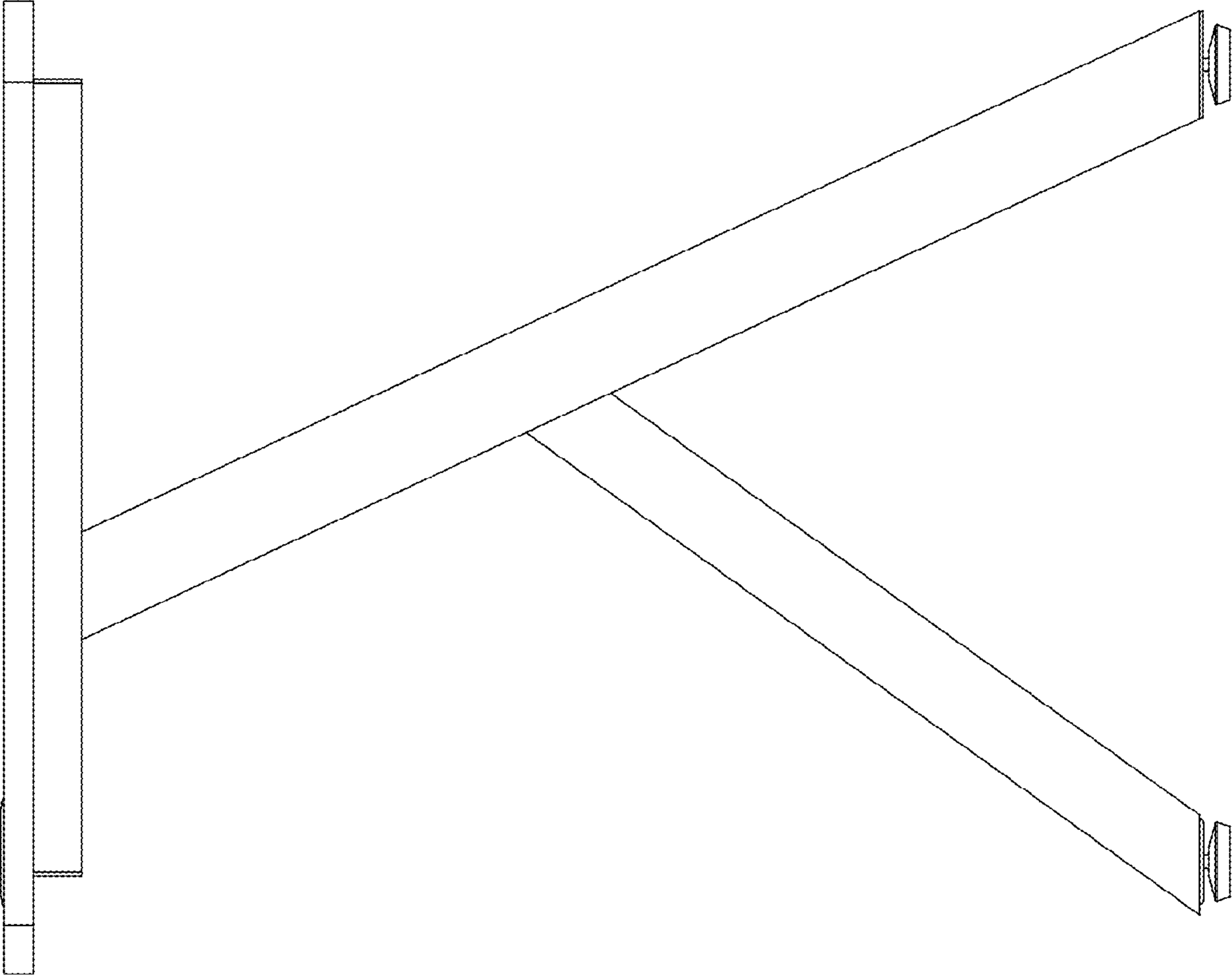


FIG.6