



US00D987332S

(12) **United States Design Patent** (10) **Patent No.:** **US D987,332 S**  
**Hu** (45) **Date of Patent:** **\*\* May 30, 2023**

- (54) **COMPOSITE DESK**
- (71) Applicant: **Yajun Hu**, El Dorado Hills, CA (US)
- (72) Inventor: **Yajun Hu**, El Dorado Hills, CA (US)
- (73) Assignees: **Yajun Hu**, El Dorado Hills, CA (US);  
**EUREKA LLC**, EL Dorado Hills, CA (US)

9,572,422	B2	2/2017	Ergun et al.	
9,591,919	B2	3/2017	Ergun et al.	
9,635,932	B2	5/2017	Kelley et al.	
D875,440	S *	2/2020	Li .....	D6/654.11
D882,300	S *	4/2020	Li .....	A47B 41/02 D6/648.4
D910,341	S *	2/2021	Ye .....	D6/648
D912,441	S *	3/2021	He .....	D6/653.11
D917,934	S *	5/2021	Chu .....	D6/648
D936,393	S *	11/2021	Li .....	D6/648
D947,577	S *	4/2022	Hu .....	D6/654.1

(\*\*) Term: **15 Years**

- (21) Appl. No.: **29/750,288**
- (22) Filed: **Sep. 11, 2020**
- (51) **LOC (14) Cl.** ..... **06-03**
- (52) **U.S. Cl.**  
USPC ..... **D6/648.2**
- (58) **Field of Classification Search**  
USPC ..... D6/641, 642, 648, 648.1, 648.2, 654,  
D6/654.17, 654.18, 655, 655.1, 655.11,  
D6/655.12, 655.15, 655.18  
CPC ..... A47B 7/00; A47B 13/00; A47B 13/02;  
A47B 13/04; A47B 13/06; A47B 13/08;  
A47B 13/10; A47B 13/12; A47B 13/16;  
A47B 17/00; A47B 21/00; A47B  
21/0314; A47B 2021/0364; A47B  
2200/0001; A47B 2200/0011; A47B  
2200/002

See application file for complete search history.

(56) **References Cited**

**U.S. PATENT DOCUMENTS**

D283,094	S *	3/1986	Strand .....	D6/654
4,703,700	A	11/1987	Sema	
D478,225	S	8/2003	Wang	
D499,273	S	12/2004	Chang	
D499,576	S	12/2004	Long	
D526,812	S	8/2006	Chen	
D547,970	S	8/2007	Chou	
D549,009	S	8/2007	Lin	
8,118,375	B2	2/2012	Berthiaume et al.	
9,380,865	B2 *	7/2016	Tempas .....	A47B 41/02

**OTHER PUBLICATIONS**

Tribsigns L-Shaped Computer Desk with Monitor Stand Riser—Walmart <https://www.walmart.com/ip/Tribesigns-L-Shaped-Computer-Desk-Monitor-Stand-Riser-70-8-inches-Corner-Study-Writing-Workstation-Drafting-Table-Tilttable-Drawing-Board-Home-Office-/751935465> retrieved from the internet on Jul. 26, 2022.\*  
Alinru L-Shaped Corner Desk With Monitor Stand—Ashley [https://www.ashleyfurniture.com/p/vasgale\\_alinru\\_1-shaped\\_corner\\_desk\\_with\\_monitor\\_stand/H600001145.html](https://www.ashleyfurniture.com/p/vasgale_alinru_1-shaped_corner_desk_with_monitor_stand/H600001145.html) retrieved from the internet on Jul. 26, 2022.\*

\* cited by examiner

*Primary Examiner* — Mary Ann Calabrese

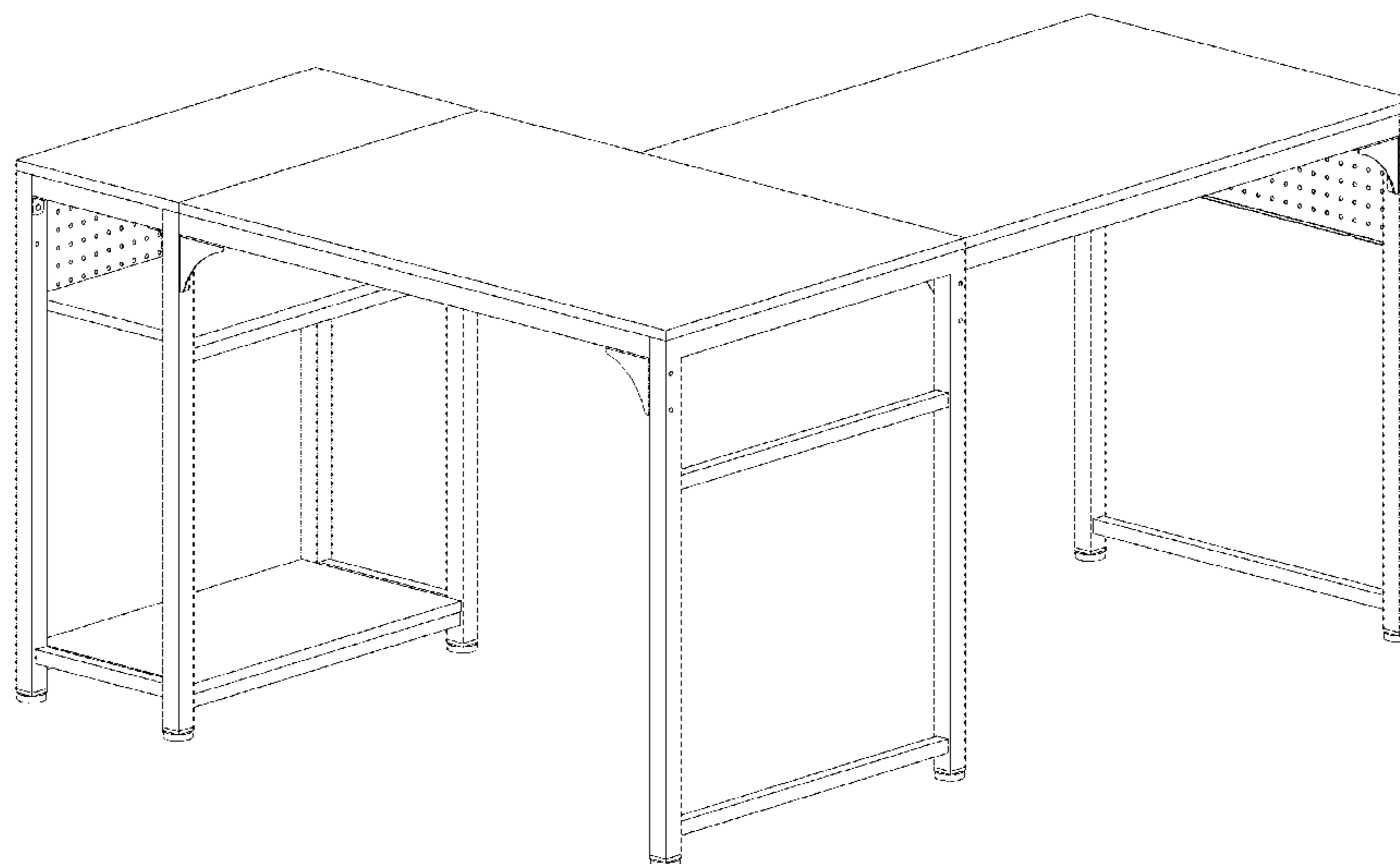
(57) **CLAIM**

I claim the ornamental design for a composite desk, as shown and described.

**DESCRIPTION**

FIG. 1 is a perspective view of a composite desk, showing my new design;  
FIG. 2 is a front view thereof;  
FIG. 3 is a rear side view thereof;  
FIG. 4 is a left side view thereof, and  
FIG. 5 is a right side view thereof  
FIG. 6 is a top view thereof; and,  
FIG. 7 is a bottom view thereof.  
In the drawings, the broken lines show portions of the desk that form no part of the claimed design.

**1 Claim, 7 Drawing Sheets**



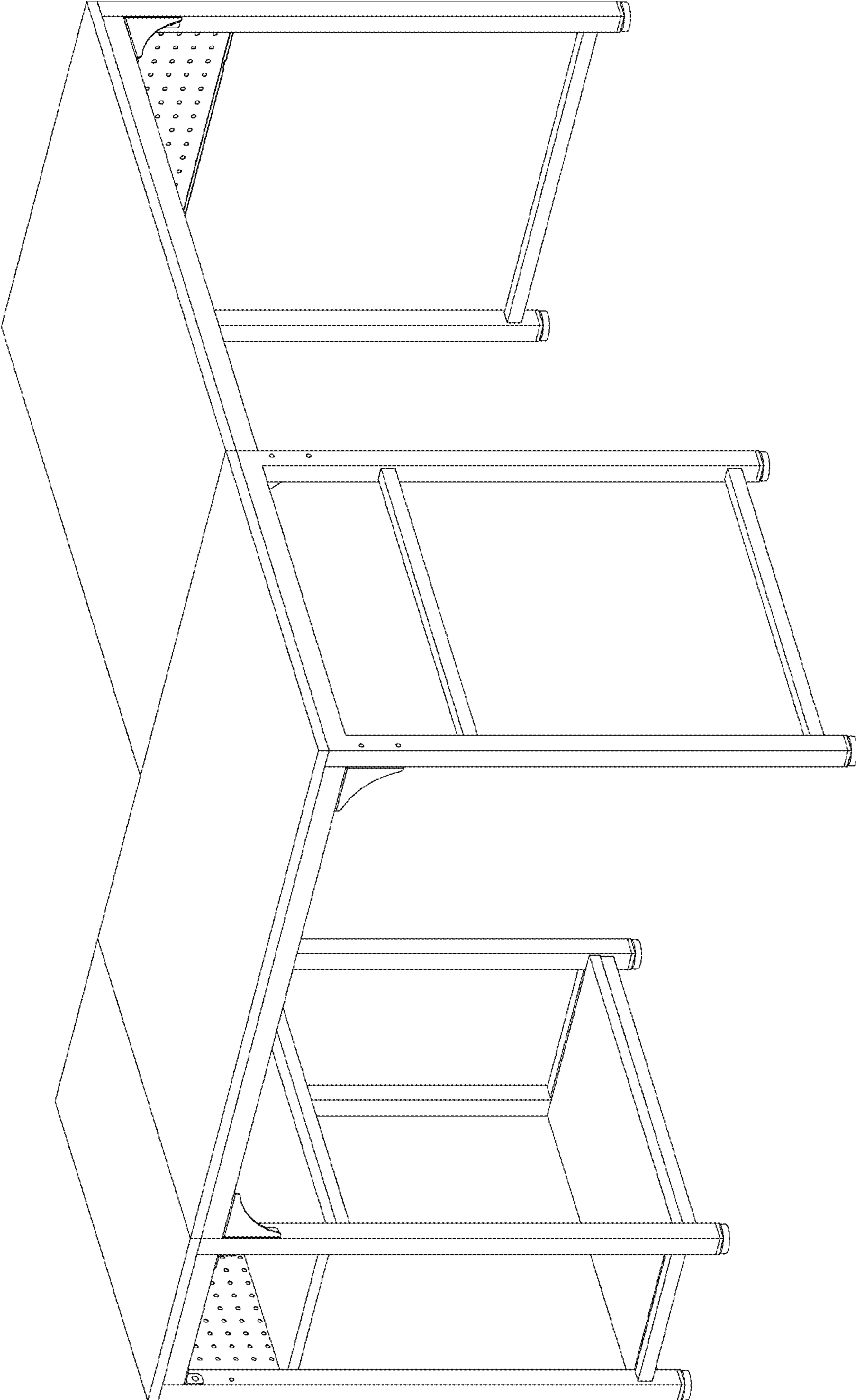


FIG.1

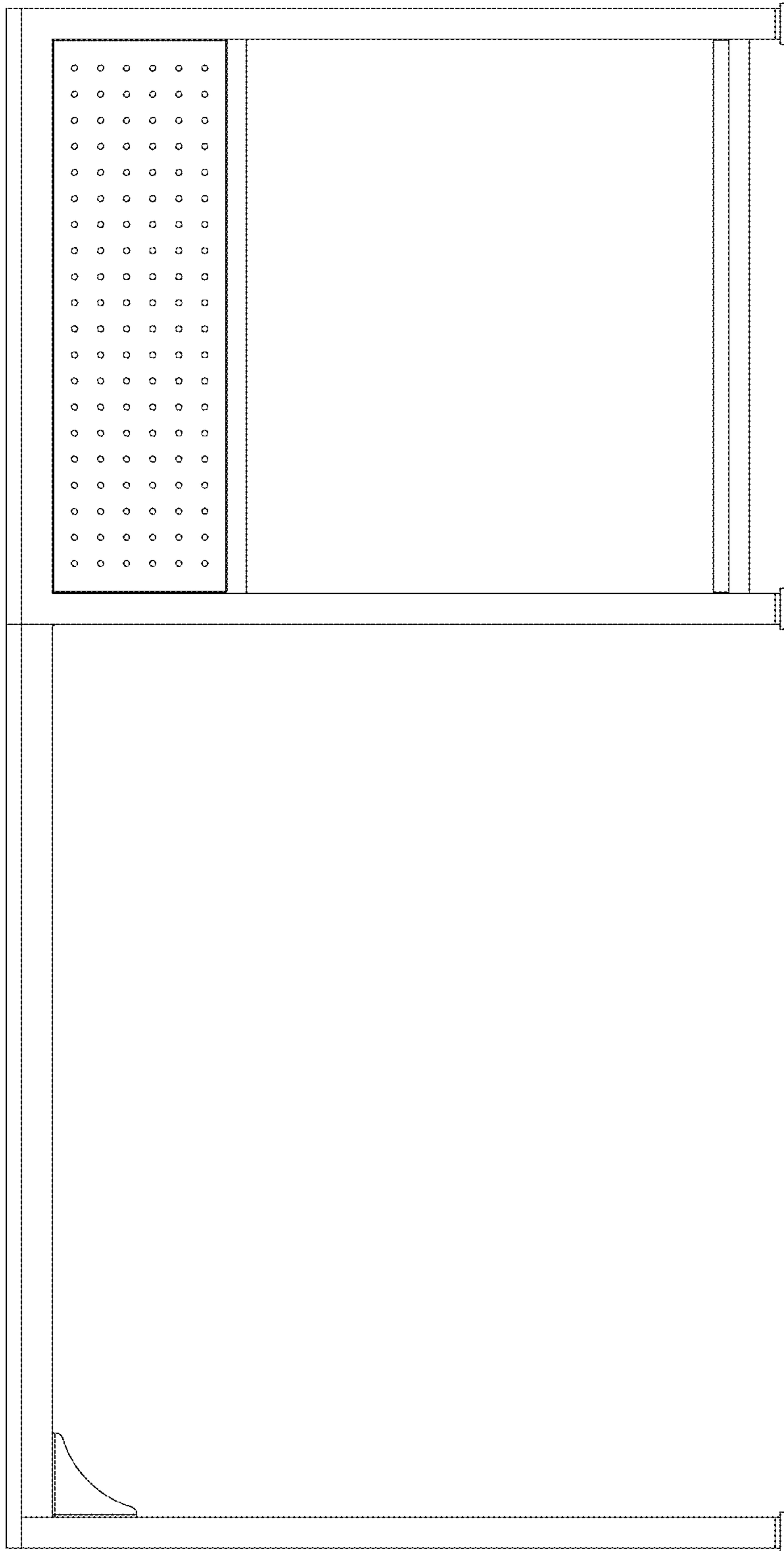


FIG.2

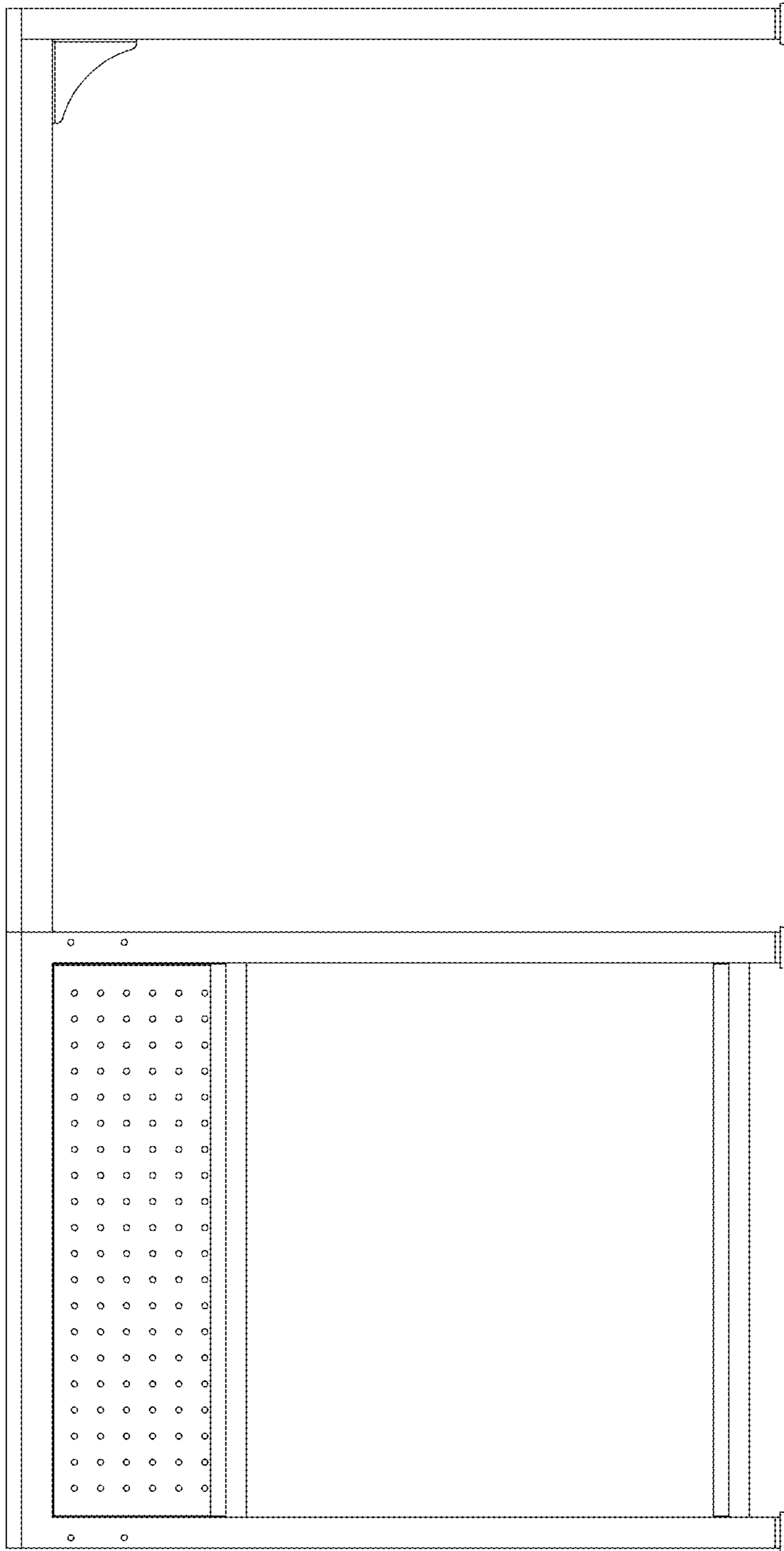


FIG.3

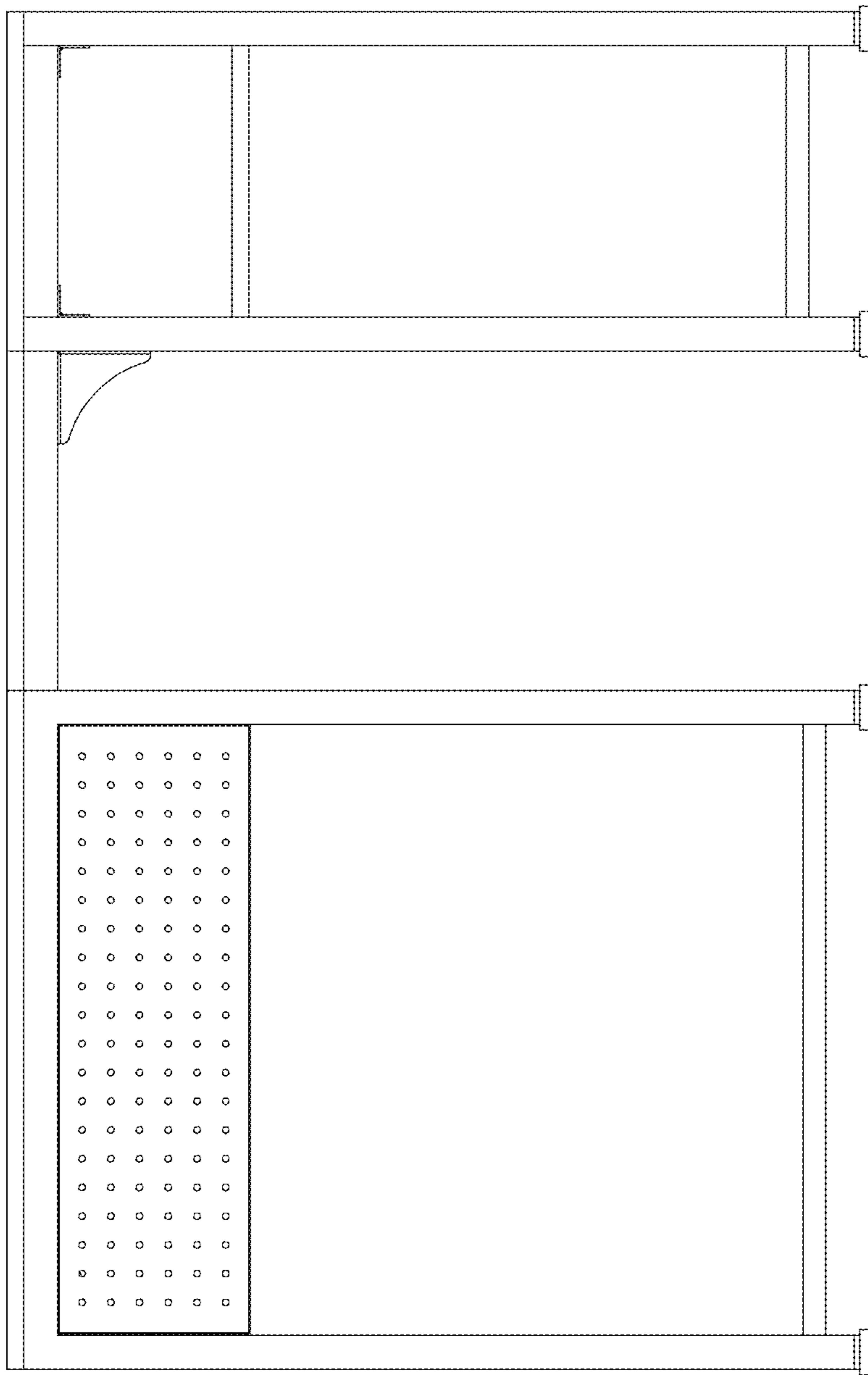


FIG.4

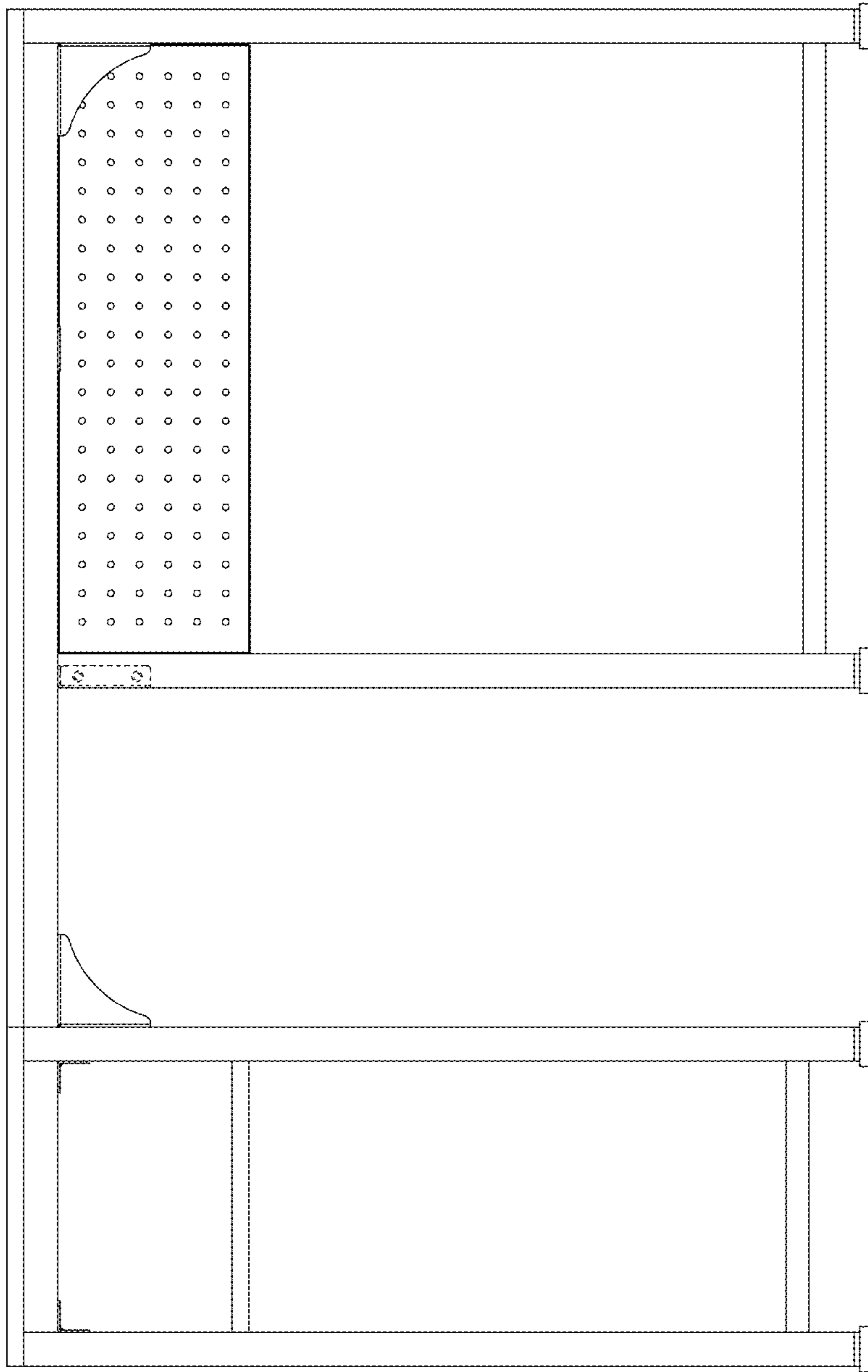


FIG.5

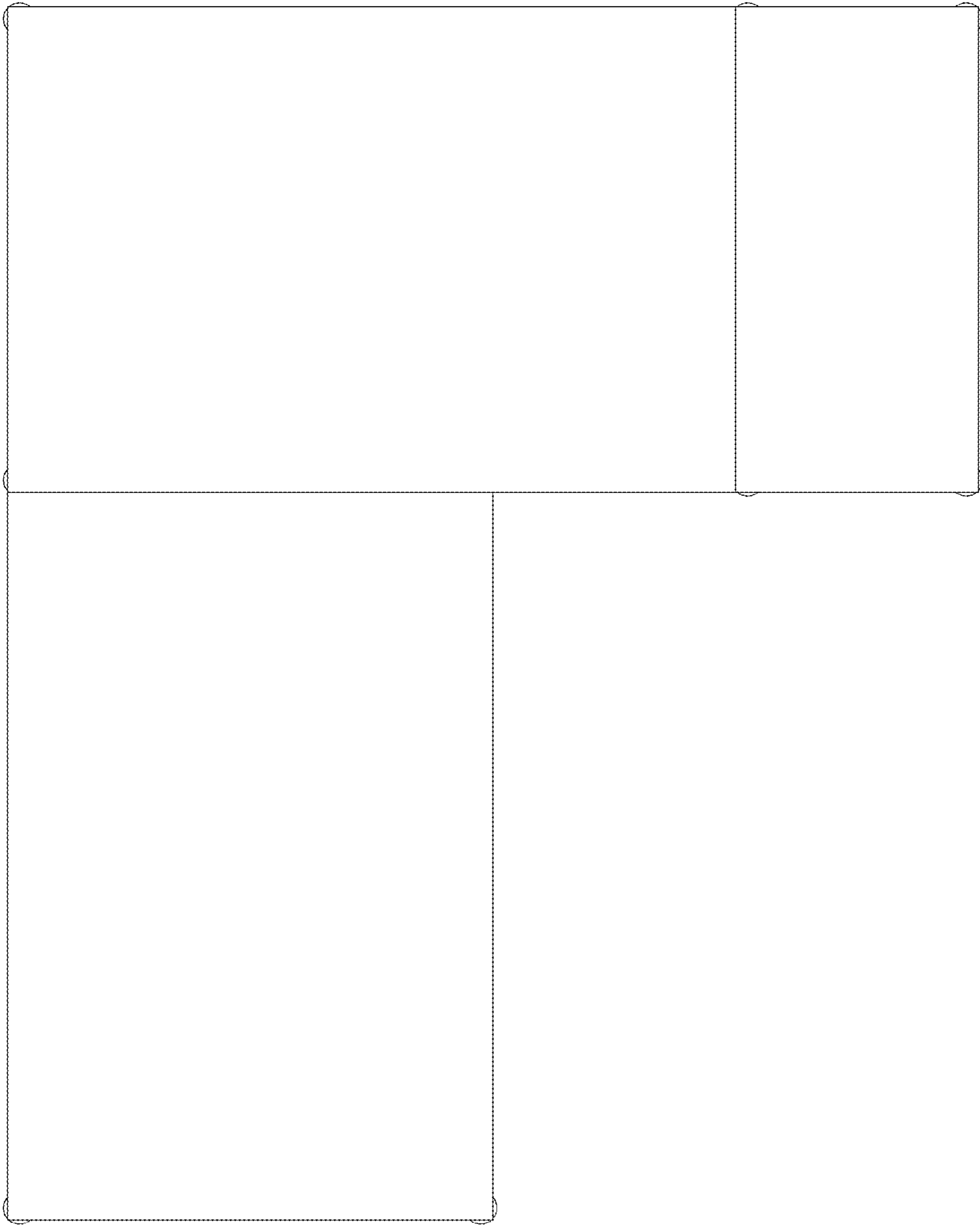


FIG.6



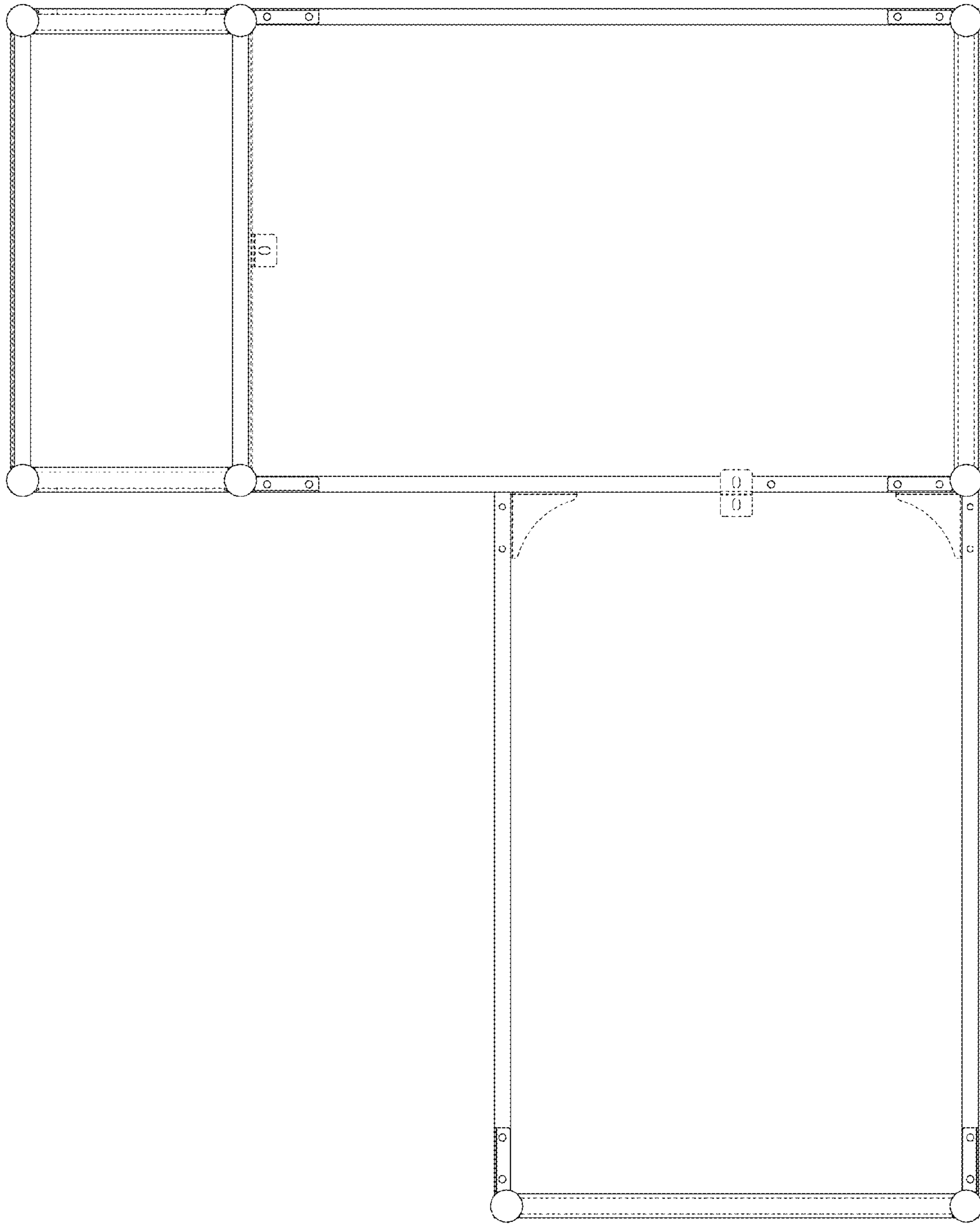


FIG.7