



US00D987331S

(12) **United States Design Patent** (10) **Patent No.:** **US D987,331 S**
Wang (45) **Date of Patent:** **** May 30, 2023**

(54) **PET CAR SEAT COVER AND PET BARRIER COMBINATION**

(71) Applicant: **Ningbo Haishu Marksign Homeware Co., Ltd., Ningbo (CN)**

(72) Inventor: **Rongji Wang, Ningbo (CN)**

(73) Assignee: **Ningbo Haishu Marksign Homeware Co., Ltd., Ningbo (CN)**

(**) Term: **15 Years**

(21) Appl. No.: **29/817,823**

(22) Filed: **Dec. 3, 2021**

(51) **LOC (14) Cl.** **06-13**

(52) **U.S. Cl.**
USPC **D6/611**

(58) **Field of Classification Search**
USPC D5/1-4, 7, 27, 37, 43, 44, 47, 53, 55-62, D5/99; D6/575, 582, 583, 588, 592, 601, D6/302, 604, 605, 608, 611, 613, 617; D25/138

CPC A45C 13/36; A45C 13/001; A45C 5/03; A45C 31/11; A45C 27/08; A45C 27/14; A47G 27/02; A47G 27/04; A47G 27/45; B44F 7/00; B60N 2/60; D03D 1/02; D03D 1/06; D03D 1/0047; D03D 1/0082; D03D 15/46; D03D 27/02

See application file for complete search history.

(56) **References Cited**

U.S. PATENT DOCUMENTS

D174,004 S * 2/1955 Schiffman 5/118
4,924,814 A * 5/1990 Beaudet A01K 1/0272
280/749
D712,683 S * 9/2014 Faubion D6/596
D851,963 S * 6/2019 Fischer-Livneh D6/611
D868,503 S * 12/2019 Fu D6/611
D880,198 S * 4/2020 Umlauf D6/611
D883,716 S * 5/2020 Hu D6/611
D902,629 S * 11/2020 Umlauf D6/611

D904,798 S * 12/2020 Cameron D6/611
D923,974 S * 7/2021 Xu D6/611
D929,158 S * 8/2021 Templeton D6/611
D930,266 S * 9/2021 Liu D30/118
D931,187 S * 9/2021 Huang D12/416
D932,215 S * 10/2021 Zheng D6/611

(Continued)

FOREIGN PATENT DOCUMENTS

CN 305383408 S 10/2019
CN 306233683 S 12/2020

OTHER PUBLICATIONS

Chewy Meadowlark Seat Cover, Nov. 28, 2021, found on Dec. 2, 2022 at https://www.chewy.com/meadowlark-dog-cat-seat-cover-mesh/dp/354819?utm_source=google-product&utm_medium=cpc&utm_campaign=126133494838&utm_content=Meadowlark&utm_term=&gclid=EA1aIQobChMloujTtKjb-wlVB8DlCh3MMQYXEAQYAyABEgKgVPD_BwE (Year: 2021).*

(Continued)

Primary Examiner — Karen S Acker

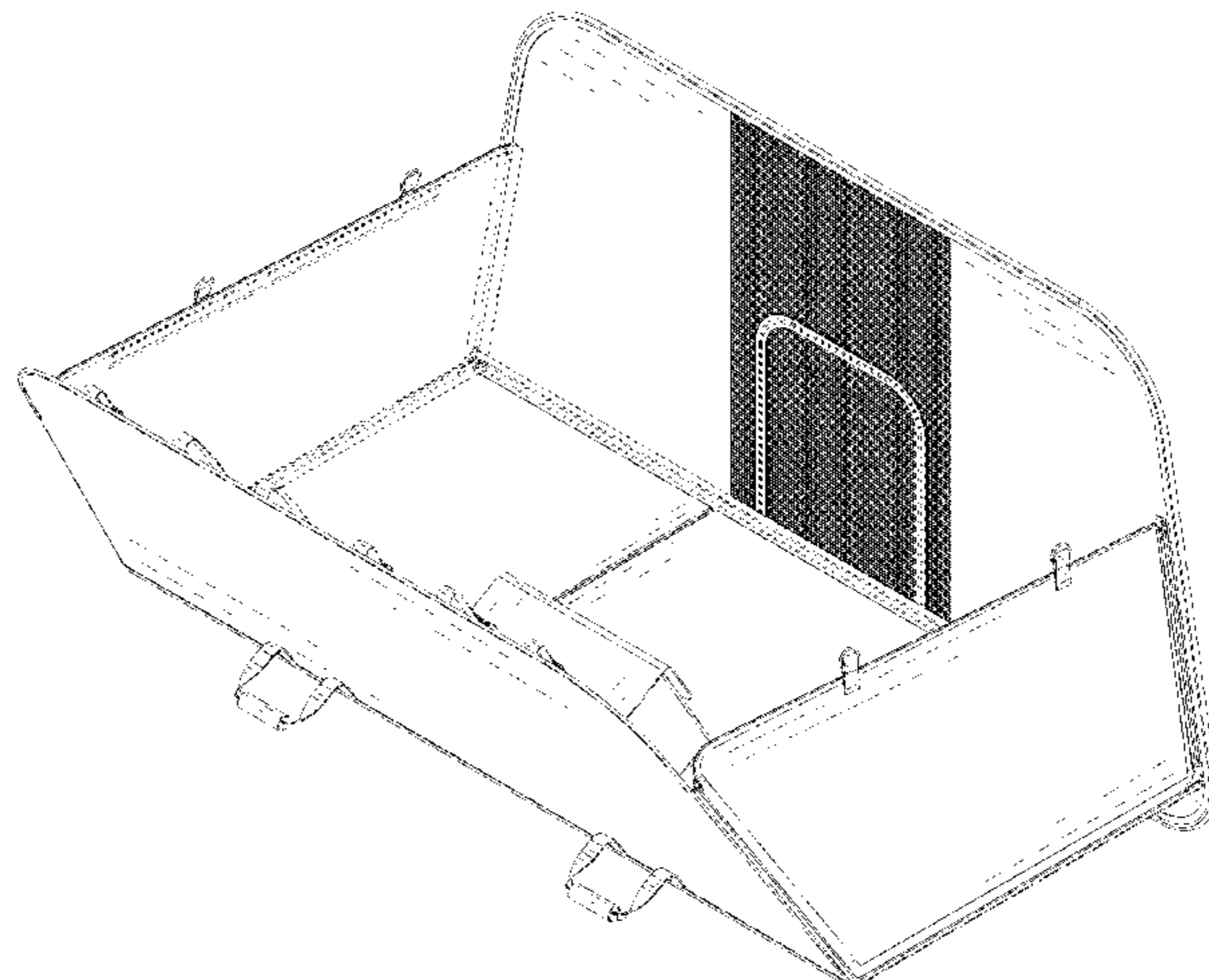
(57) **CLAIM**

The ornamental design for a pet car seat cover and pet barrier combination, as shown and described.

DESCRIPTION

FIG. 1 is a front, right, top perspective view of a pet car seat cover and pet barrier combination showing my new design; FIG. 2 is a front, left, bottom perspective view thereof; FIG. 3 is a back, left, top perspective view thereof; FIG. 4 is an enlarged front view thereof; FIG. 5 is an enlarged back view thereof; FIG. 6 is an enlarged left view thereof; FIG. 7 is an enlarged right view thereof; FIG. 8 is a top view thereof; and, FIG. 9 is a bottom view thereof.

(Continued)



The broken lines shown on the drawings depict portions of the pet car seat cover and pet barrier combination that form no part of the claimed design.

1 Claim, 9 Drawing Sheets

(56)

References Cited

U.S. PATENT DOCUMENTS

11,241,934	B2 *	2/2022	Credo	G08B 5/00
D946,313	S *	3/2022	Xiao	G08B 5/00
					D6/611
D946,314	S *	3/2022	Xiao	A01K 1/0272
					D6/611
11,432,527	B1 *	9/2022	Pan	B60N 2/6027
D966,749	S *	10/2022	Xu	D6/611
D972,338	S *	12/2022	Chen	D6/611
D972,339	S *	12/2022	Chen	D6/611
2007/0194589	A1 *	8/2007	Aliev	A01K 1/0272
					296/39.1
2022/0061264	A1 *	3/2022	Pan	B60N 2/6027

OTHER PUBLICATIONS

Vailge Dog Seat Cover, Dec. 24, 2018, found on Dec. 2, 2022 at <https://www.amazon.com.au/Waterproof-Scratch-Nonslip-Hammock-Standard/dp/B07DCT6SPY> (Year: 2018).*

Lassie Seat Cover, Dec. 16, 2020, found on Jan. 23, 2023 at https://www.amazon.com/dp/B08QR5TCWD/ref=sspa_dk_detail_0?pd_rd_i=B08DD4R19Q&pd_rd_w=wQkzW&content-id=amzn1.sym.bff6e147-54ad-4be3-b4ea-ec19ea6167f7&pf_r (Year: 2020).*

Urpower Dog Seat Cover, May 5, 2017, found on Jan. 23, 2023 at <https://www.amazon.com/URPOWER-100-Waterproof-Hammock-Scratch-Nonslip/dp/B0727Y5ZD7?crid=SIN56MLQE4SY&keywords=B0727Y5ZD7&qid=1669187695&srefix=b0727y5zd7%2Caps%2C441&sr=8-2> (Year: 2017).*

Confote car seat cover, May 29, 2019 found on Jan. 23, 2023 at <https://www.amazon.com/confote-Dog-Car-Seat-Cover/dp/B07SK6T2N3> (Year: 2019).*

YinQin Dog Seat Cover, Apr. 10, 2019 found on Jan. 23, 2023 at <https://www.amazon.com/Window-Waterproof-Hammock-Blanket-Different/dp/B07QKHW6XJ> (Year: 2019).*

* cited by examiner

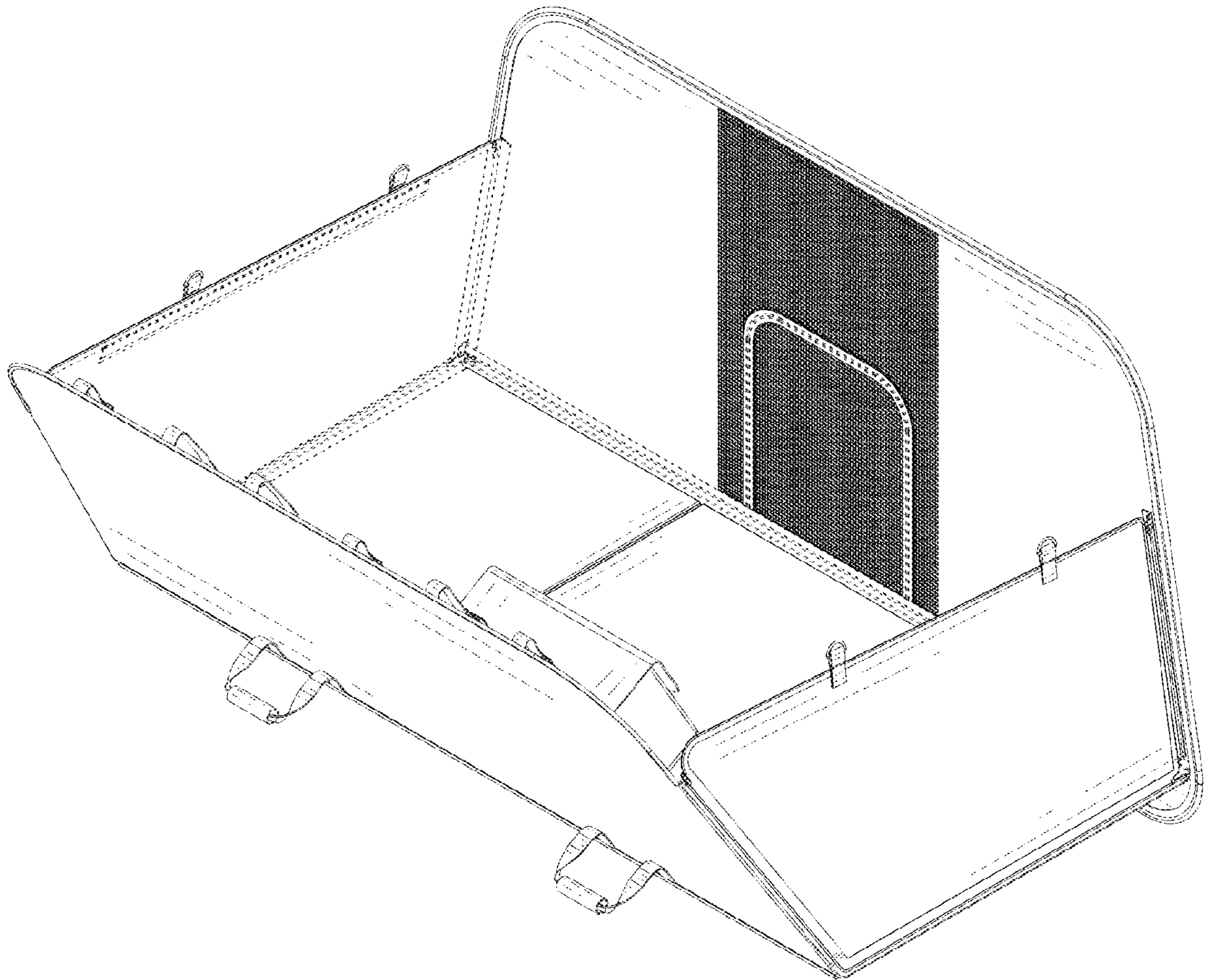


FIG. 1

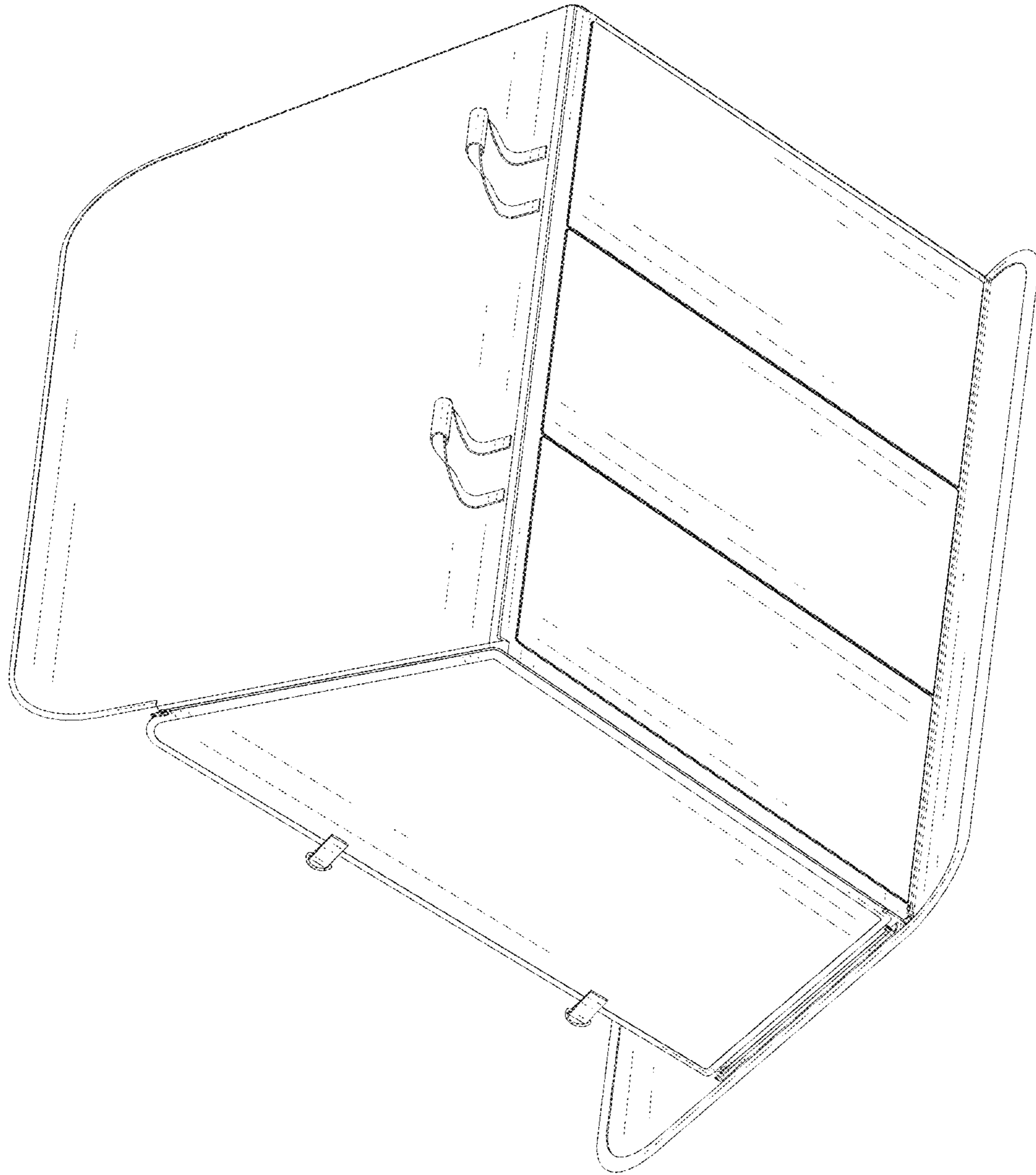


FIG. 2

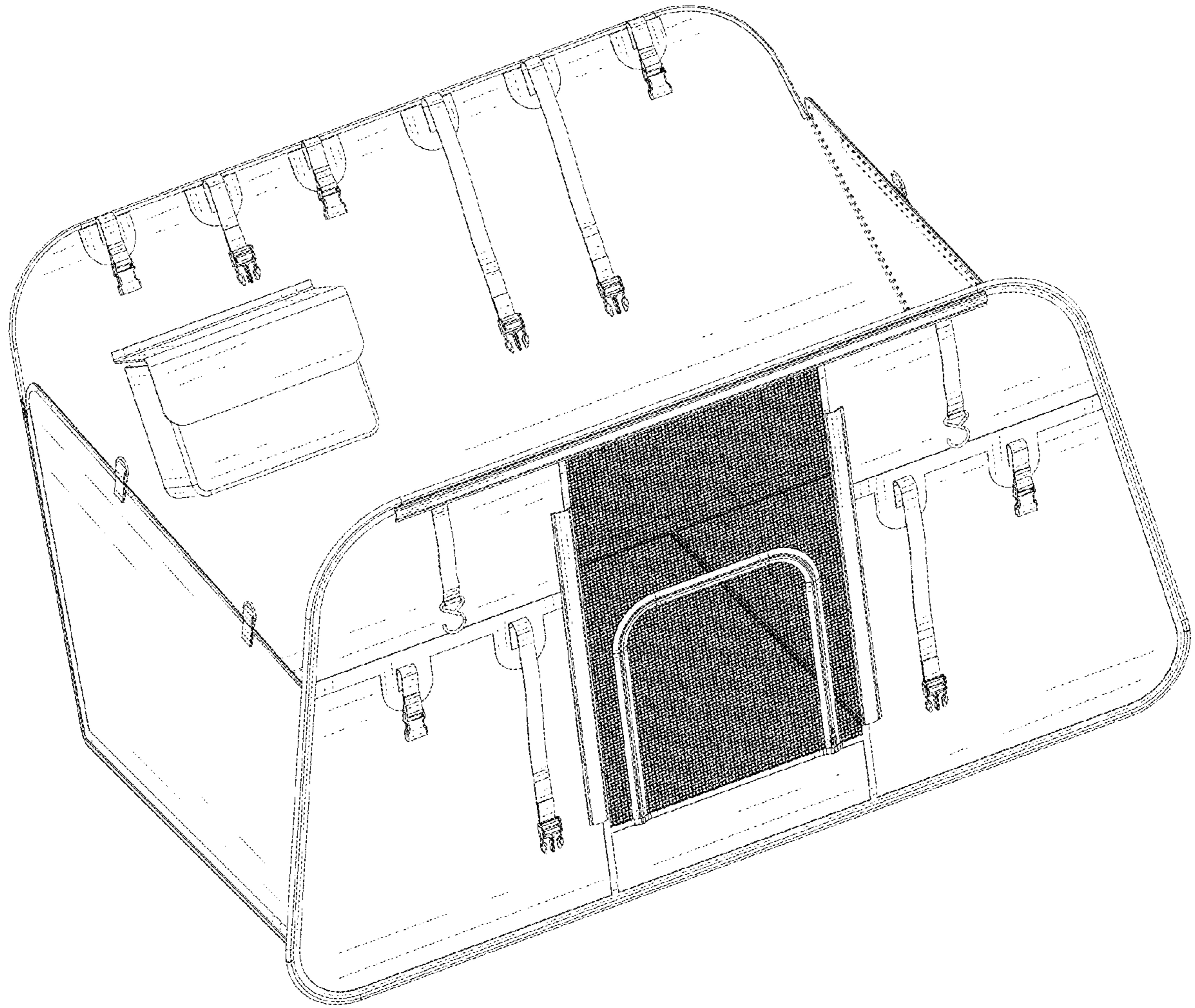


FIG. 3

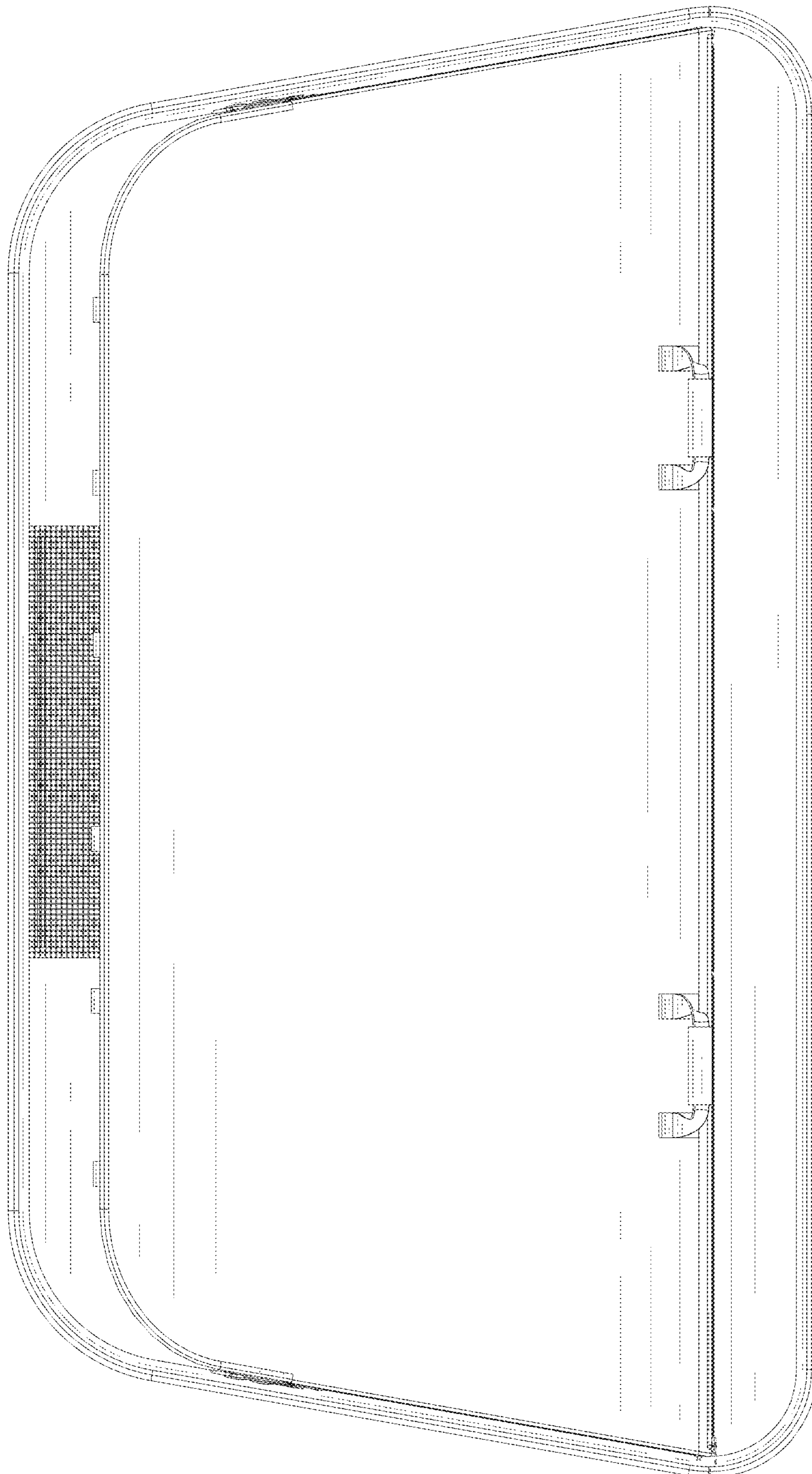


FIG. 4

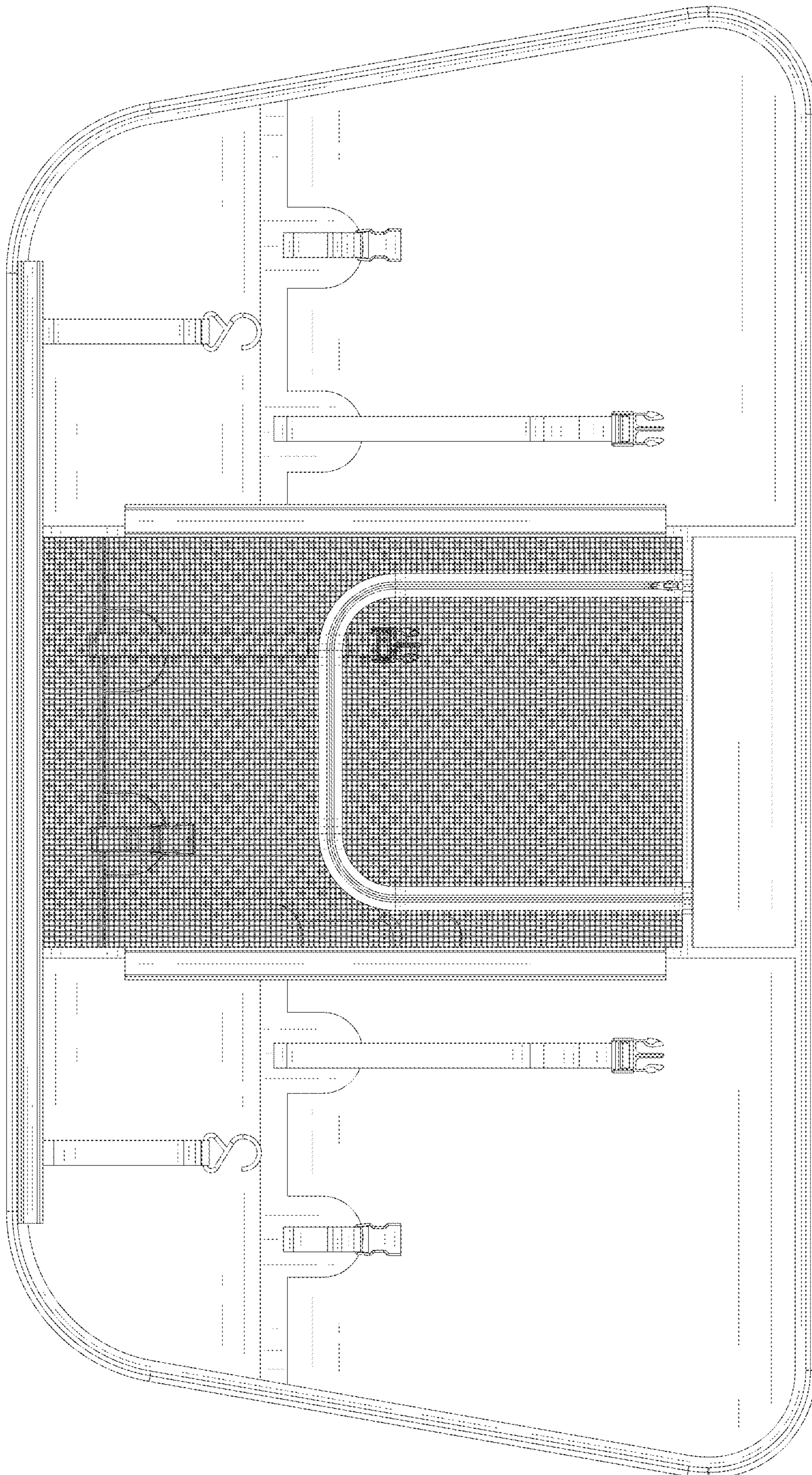


FIG. 5

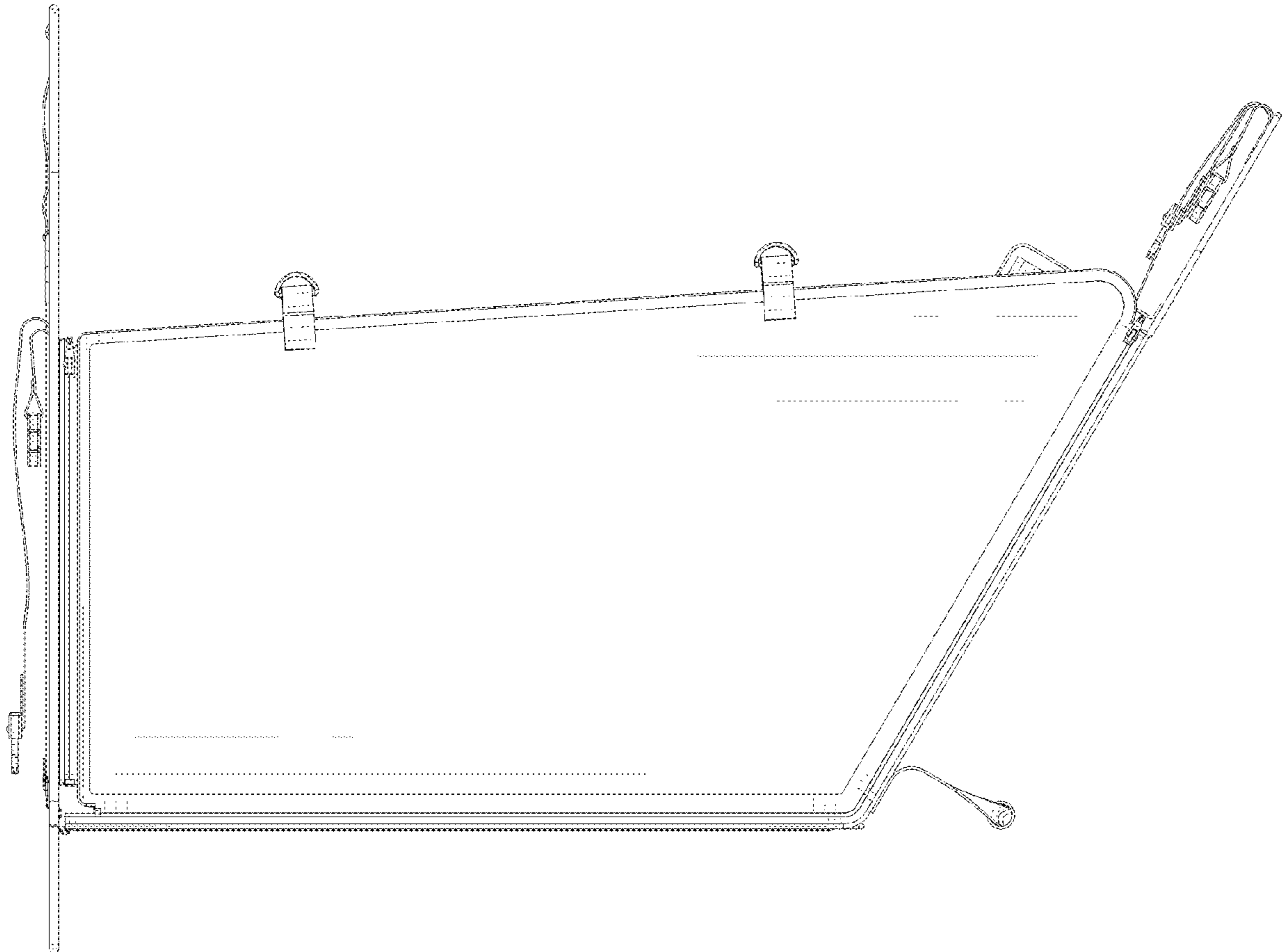


FIG. 6

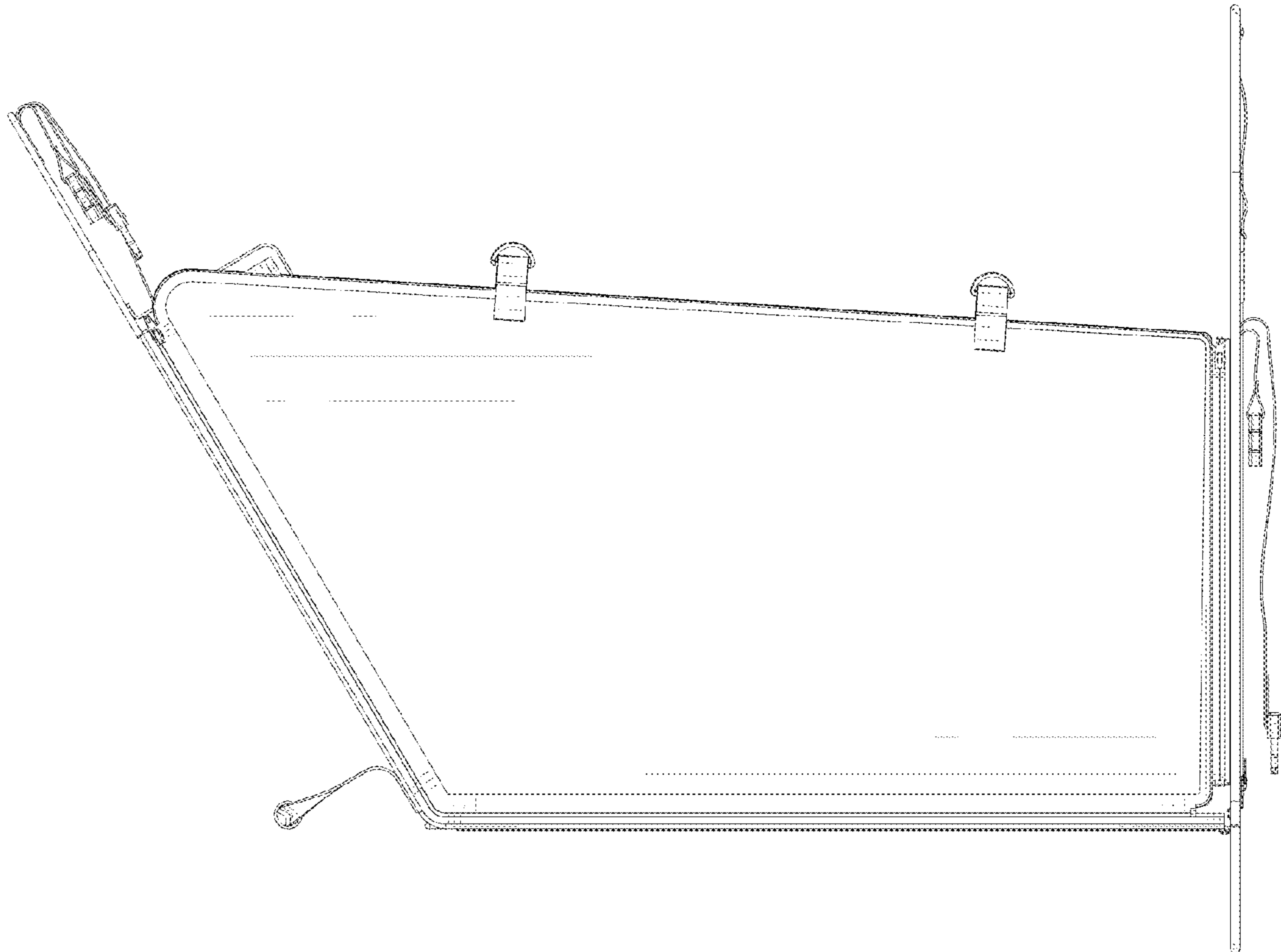


FIG. 7

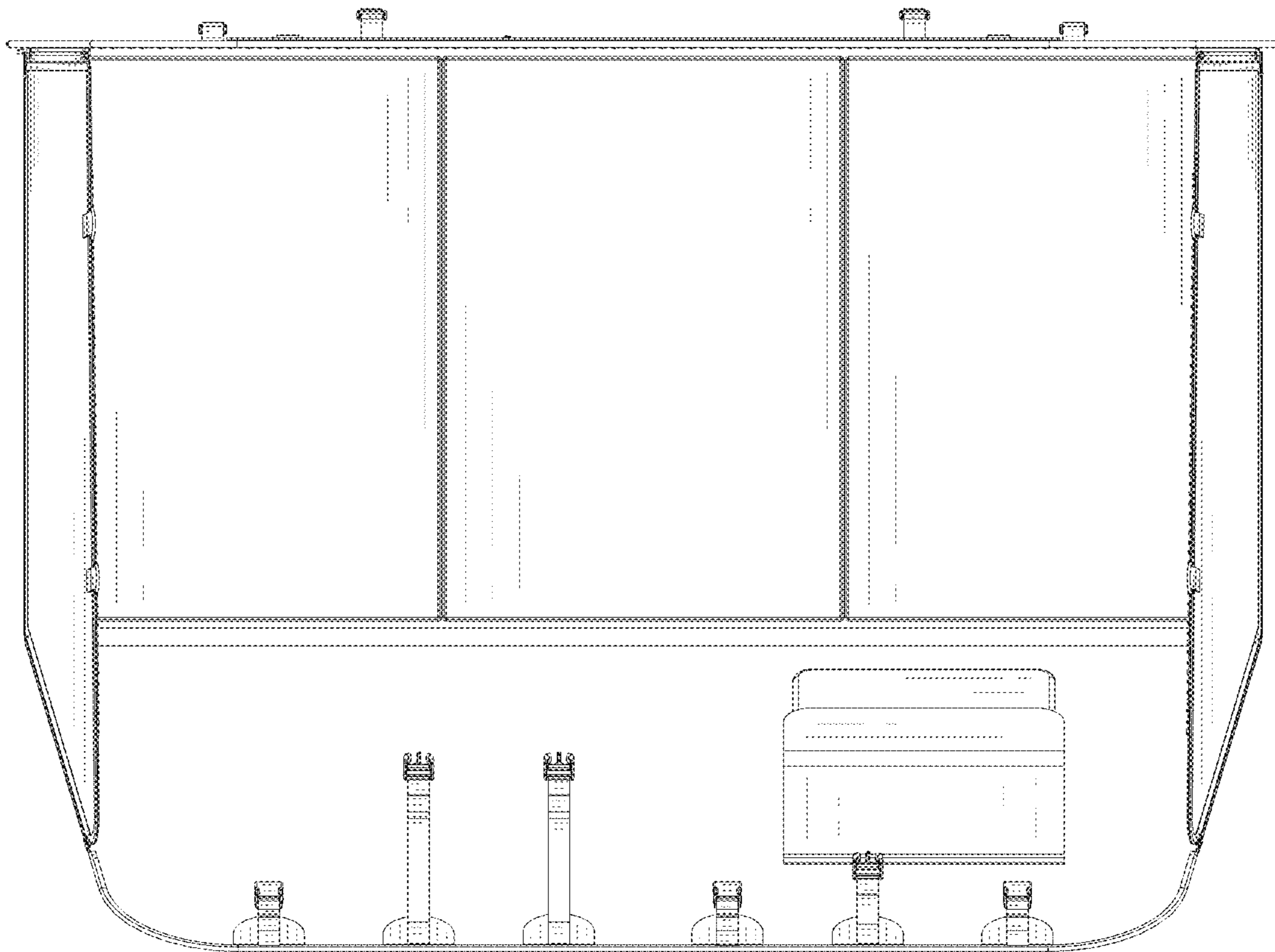


FIG. 8

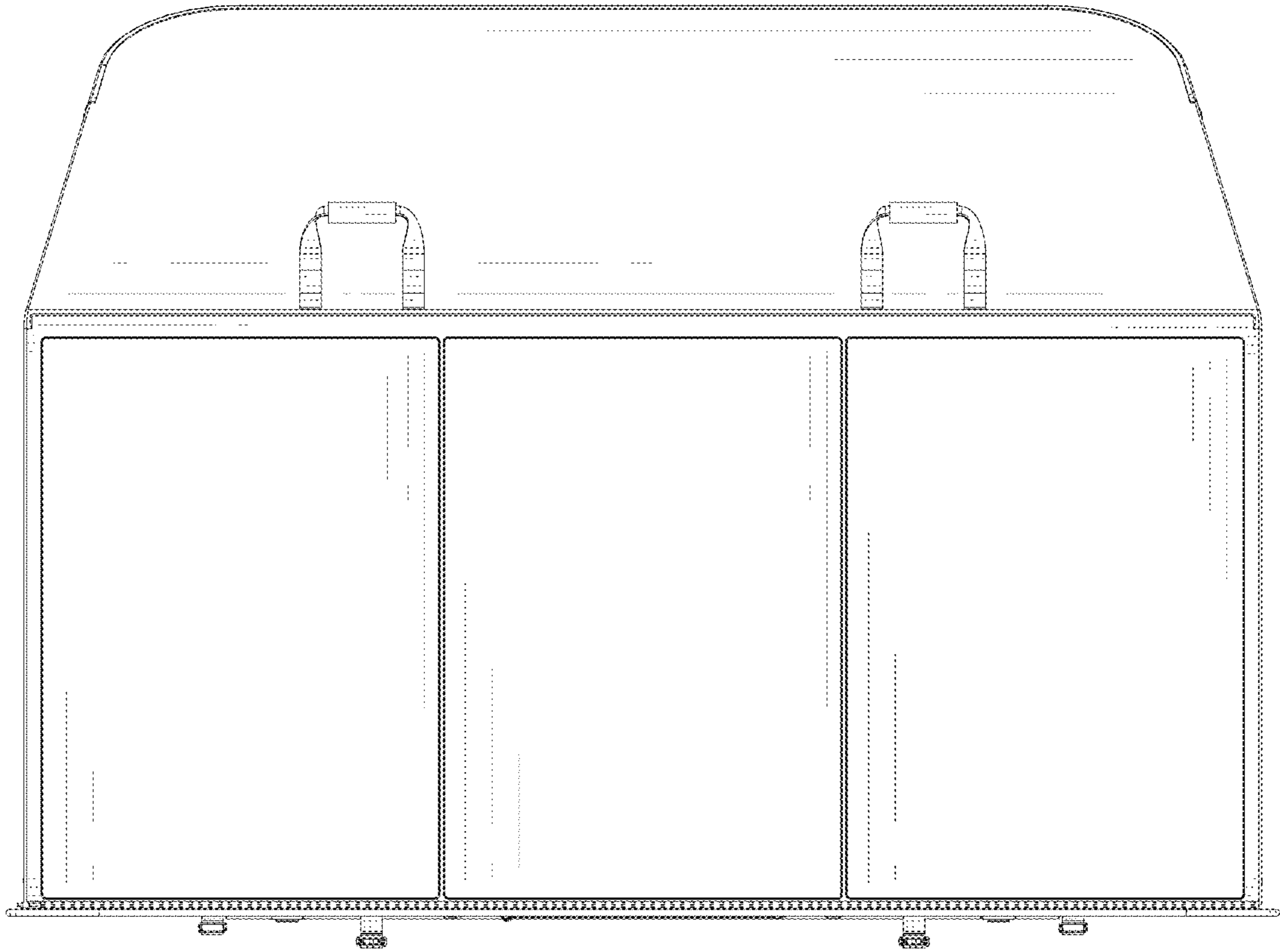


FIG. 9