



US00D987328S

(12) **United States Design Patent**
Rice et al.

(10) **Patent No.:** **US D987,328 S**

(45) **Date of Patent:** **** May 30, 2023**

- (54) **OFFICE CHAIR MAT**
- (71) Applicant: **Geometric Innovations LLC**, Aurora, CO (US)
- (72) Inventors: **Alan Rice**, Aurora, CO (US); **Darren Gieseck**, Aurora, CO (US)
- (73) Assignee: **Geometric Innovations LLC**, Aurora, CO (US)
- (**) Term: **15 Years**
- (21) Appl. No.: **29/809,053**
- (22) Filed: **Sep. 24, 2021**
- (51) **LOC (14) Cl.** **06-11**
- (52) **U.S. Cl.**
USPC **D6/592**
- (58) **Field of Classification Search**
USPC D6/582-588, 592; D25/48.2
CPC A47G 27/0206; A47G 27/0212; A47G 27/0225; A47G 27/0218; A47G 27/0231; A47G 27/025; A47K 3/002; A47K 7/026; A47L 23/26; A47L 23/266
See application file for complete search history.

3,445,083	A *	5/1969	Moss	A47G 27/0206	248/188.9
D381,230	S *	7/1997	Gifford	A47G 27/0206	D6/582
D429,304	S *	8/2000	Browne, Jr.	D21/792	
6,177,165	B1 *	1/2001	Robbins, III	B29C 48/35	428/80
D522,299	S *	6/2006	Robbins, III	D6/582	
D615,337	S *	5/2010	Sultan	D6/590	
D729,331	S *	5/2015	Weiss, Jr.	D21/792	
D800,479	S *	10/2017	Wilkinson	A47G 27/0206	D6/592
D933,395	S *	10/2021	Cai	B29C 48/35	D6/592

* cited by examiner

Primary Examiner — Kevin K Rudzinski
Assistant Examiner — Clare Ann Gannon
(74) *Attorney, Agent, or Firm* — Hall Estill Law Firm; Bryan A. Fuller

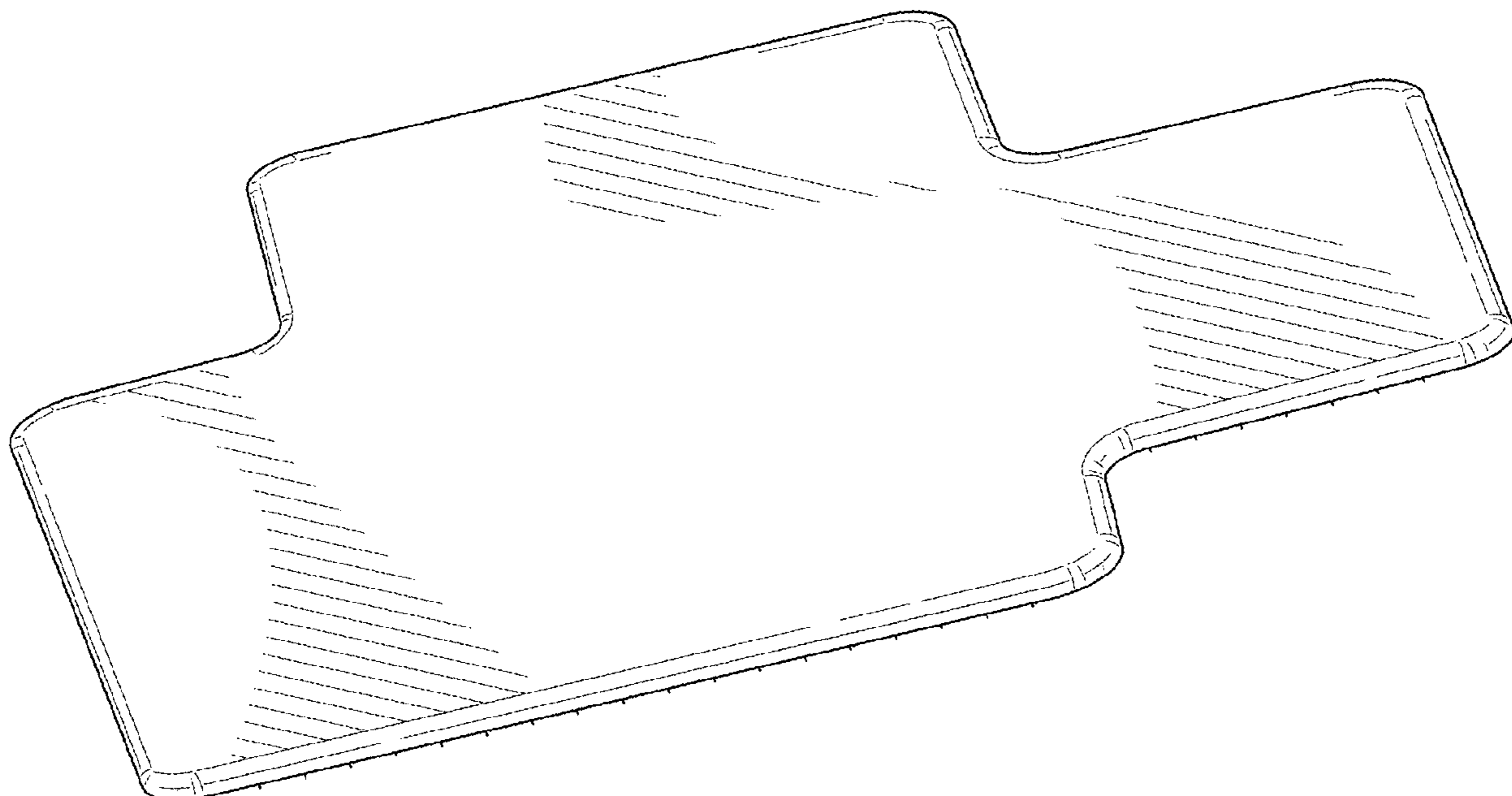
(57) **CLAIM**

The ornamental design for an office chair mat, as shown and described.

DESCRIPTION

FIG. 1 is a top, perspective view showing the office chair mat.
FIG. 2 is a top view of the office chair mat of FIG. 1.
FIG. 3 is a front side view of the office chair mat of FIG. 1.
FIG. 4 is a rear view of the office chair mat of FIG. 1.
FIG. 5 is a right side view of the office chair mat of FIG. 1.
FIG. 6 is a left side view of the office chair mat of FIG. 1; and,
FIG. 7 is a bottom view of the office chair mat of FIG. 1.
The broken lines depict portions of the office chair mat that form no part of the claimed design.

1 Claim, 5 Drawing Sheets



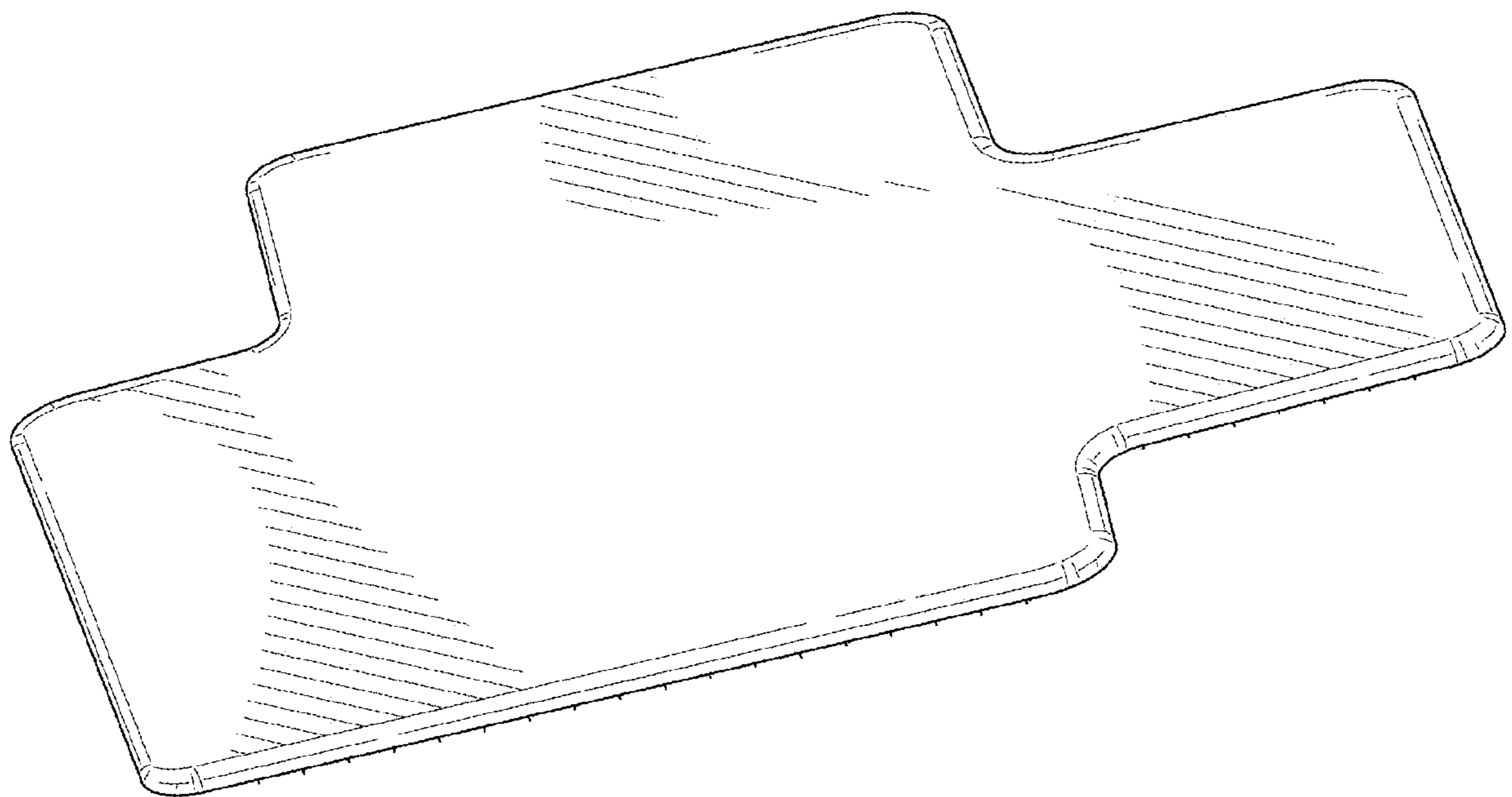


FIG. 1

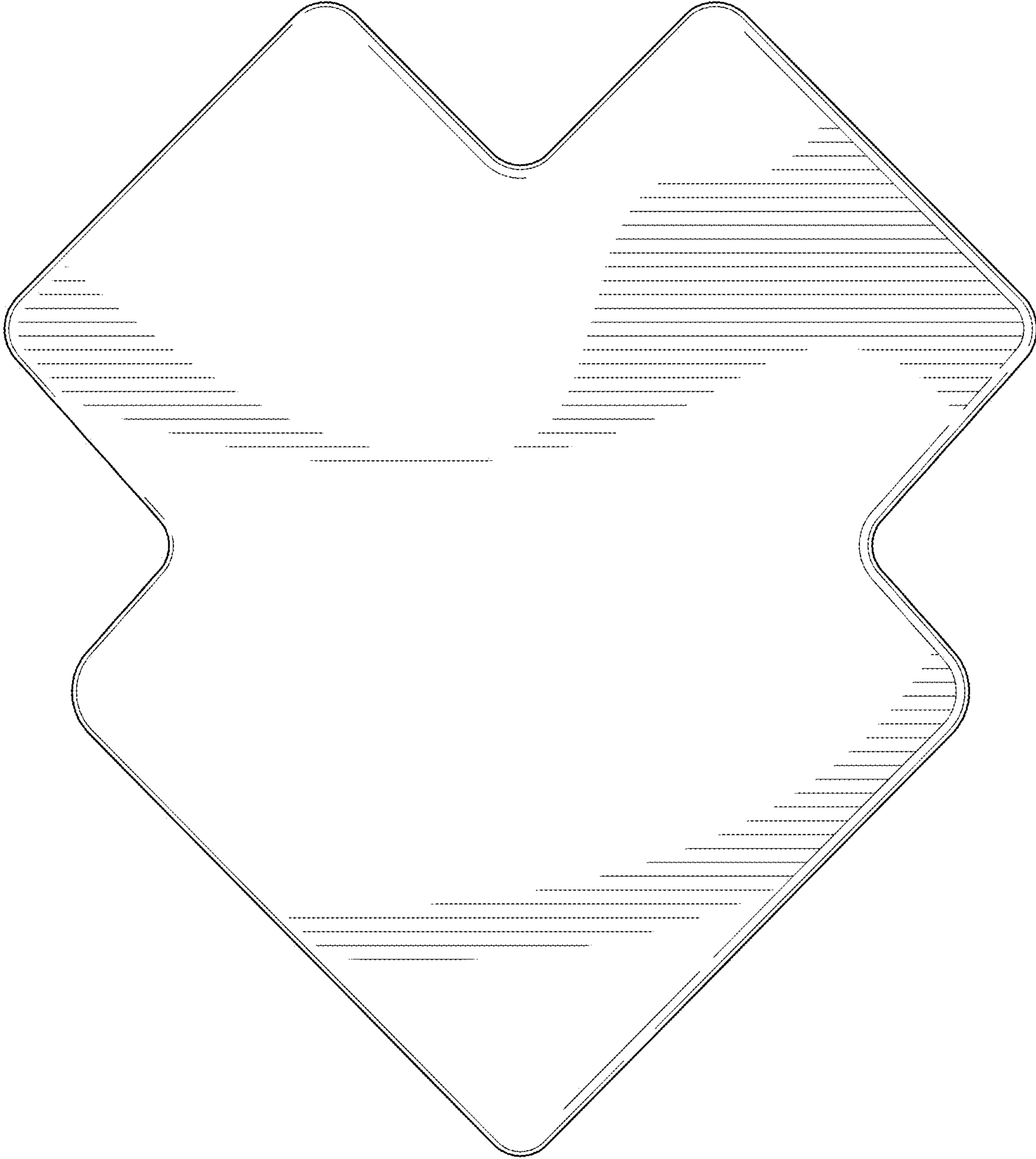


FIG. 2

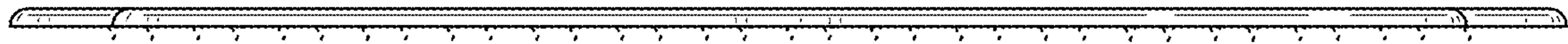


FIG. 3

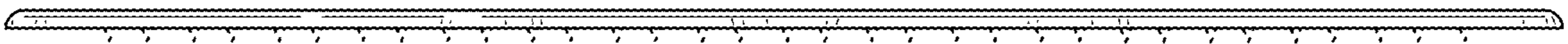


FIG. 4

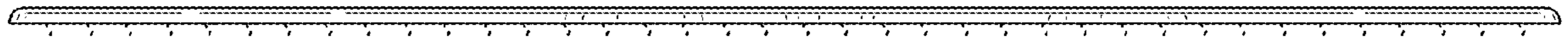


FIG. 5

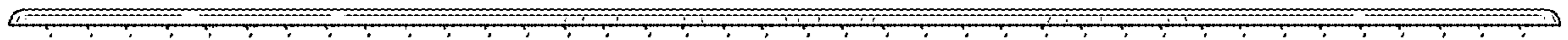


FIG. 6

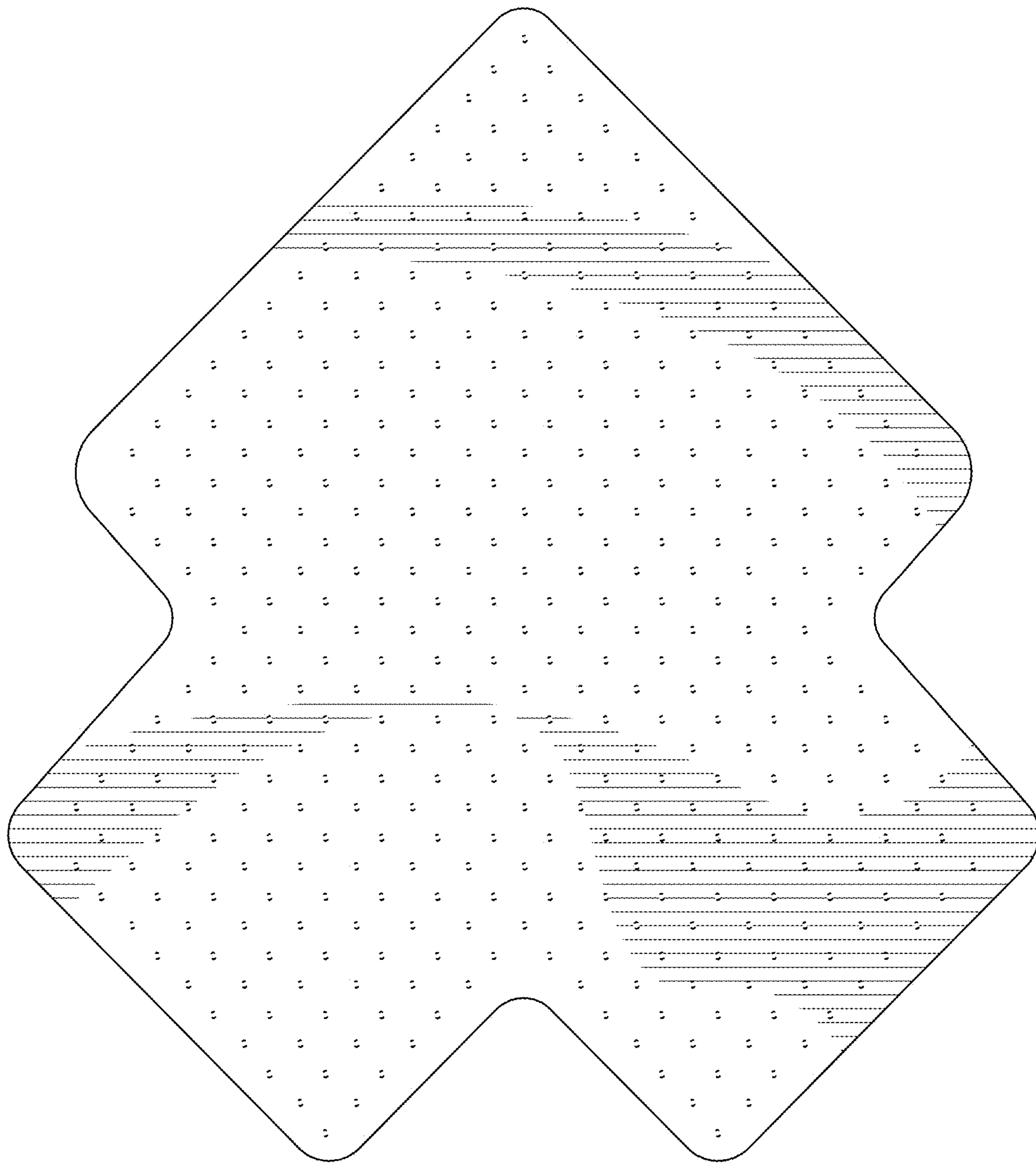


FIG. 7