



US00D987326S

(12) **United States Design Patent** (10) **Patent No.:** **US D987,326 S**
Bijari et al. (45) **Date of Patent:** **** May 30, 2023**

(54) **DISPENSING SYSTEM FOR LIQUID**

D811,147 S * 2/2018 DeBaker D7/300
D818,739 S * 5/2018 Buell D6/542
D835,923 S * 12/2018 Buell D6/515
D846,933 S * 4/2019 Li D7/311

(71) Applicant: **ALO NEW YORK LLC**, Great Neck, NY (US)

(Continued)

(72) Inventors: **Jonathan Bijari**, Great Neck, NY (US);
Jason Barlia, Great Neck, NY (US);
Wesley Robinson, Littleton, MA (US);
Matthew De Remer, Arlington, MA (US);
Brenton Lacombe, Somerville, MA (US)

FOREIGN PATENT DOCUMENTS

CA 144063 * 10/2012
IN 329479-001-0001 * 7/2021
JP D1684977 * 5/2021

(**) Term: **15 Years**

OTHER PUBLICATIONS

Brenton Lacombe, posted unknown [online], [retrieved Dec. 29, 2022]. Retrieved from internet, <https://www.brentonlacombe.com/alo> (Year: 2022).*

(21) Appl. No.: **29/778,482**

(Continued)

(22) Filed: **Apr. 13, 2021**

(51) **LOC (14) Cl.** **23-08**

(52) **U.S. Cl.**
USPC **D6/542**

Primary Examiner — Cynthia Ramirez

Assistant Examiner — Jeremy S. Swartz

(58) **Field of Classification Search**
USPC D6/542, 512, 513, 545, 543, 515;
D7/300, 306, 313, 397; D9/733; D20/1;
206/225, 233, 389, 391; 211/13.1, 45;
222/108, 73
CPC A47K 5/12; A47K 5/13; A47K 5/1217;
A47K 2201/00; A61L 2/18; A61L
2202/14; A61L 2202/15; A61L 2202/181;
B67D 1/0004; B67D 1/0878; B67D
2210/00034

(57) **CLAIM**

We claim the ornamental design for a dispensing system for liquid, as shown and described.

See application file for complete search history.

DESCRIPTION

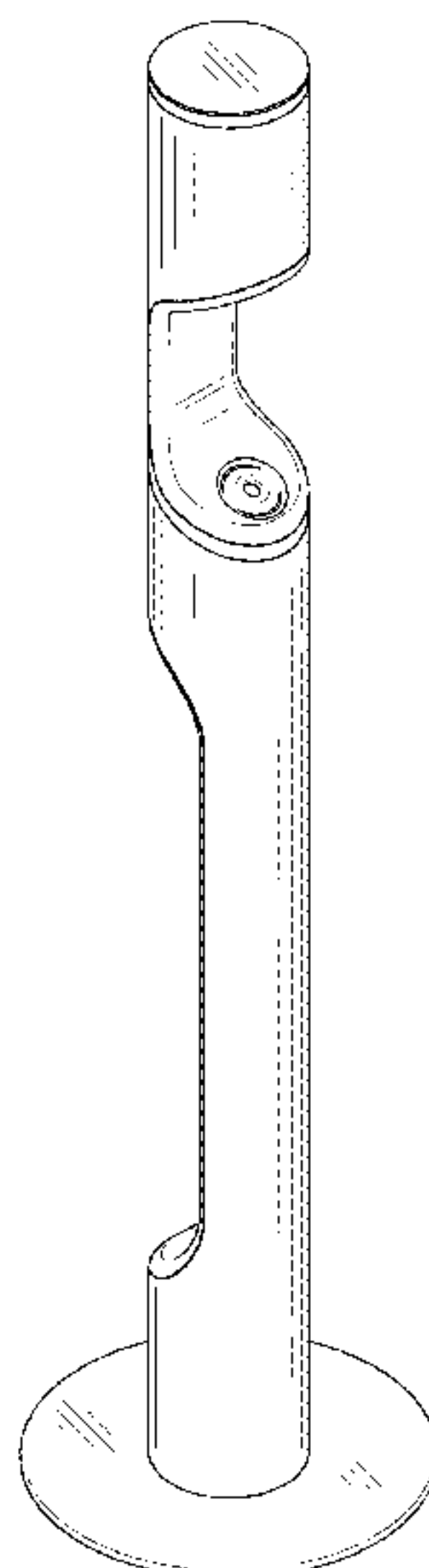
FIG. 1 is a front perspective view of our new design for a dispensing system for liquid;
FIG. 2 is a rear perspective view thereof;
FIG. 3 is a bottom front perspective view thereof;
FIG. 4 is a front elevation view thereof;
FIG. 5 is a rear elevation view thereof;
FIG. 6 is a left-side elevation view thereof;
FIG. 7 is a right-side elevation view thereof;
FIG. 8 is a top plan view thereof;
FIG. 9 is a bottom plan view thereof; and,
FIG. 10 is an exploded top front perspective view thereof.
The broken lines in the drawings depict portions of the dispensing system for liquid that form no part of the claimed design.

(56) **References Cited**

U.S. PATENT DOCUMENTS

4,651,753 A * 3/1987 Lifton A61B 10/04
600/564
D644,471 S * 9/2011 Fiori D7/313
D671,346 S * 11/2012 Zlatic D9/733
D702,475 S * 4/2014 Dalton D7/313
D766,211 S * 9/2016 Choi D14/216
D789,704 S * 6/2017 Morrison D6/512
D801,747 S * 11/2017 Hanneson D28/7

1 Claim, 7 Drawing Sheets



(56)

References Cited

U.S. PATENT DOCUMENTS

2022/0322890 A1* 10/2022 Bijari B67D 1/0004

OTHER PUBLICATIONS

The Ultimate Dispenser YouTube, posted Sep. 7, 2021 [online],
[retrieved Dec. 29, 2022]. Retrieved from internet, <https://www.youtube.com/watch?v=XbwlrHIHHYc> (Year: 2021).*

Purell FS Stand Assembly YouTube, posted Oct. 24, 2018 [online],
[retrieved Dec. 29, 2022]. Retrieved from internet, <https://www.youtube.com/watch?v=4x8BnlCnJIU> (Year: 2018).*

Purell Messenger ES6 Floor Stand, posted Jul. 6, 2018 [online],
[retrieved Dec. 29, 2022]. Retrieved from internet, <https://www.amazon.com/Model-Silver-Panel-Floor-Dispenser/dp/B07FB25DYG> (Year: 2018).*

* cited by examiner

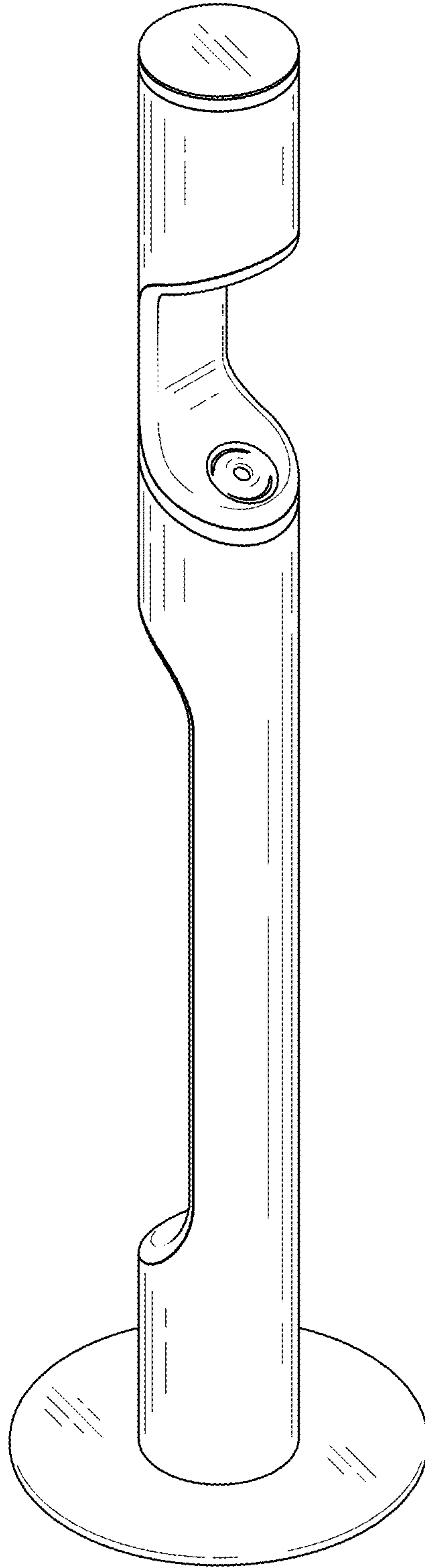


FIG. 1

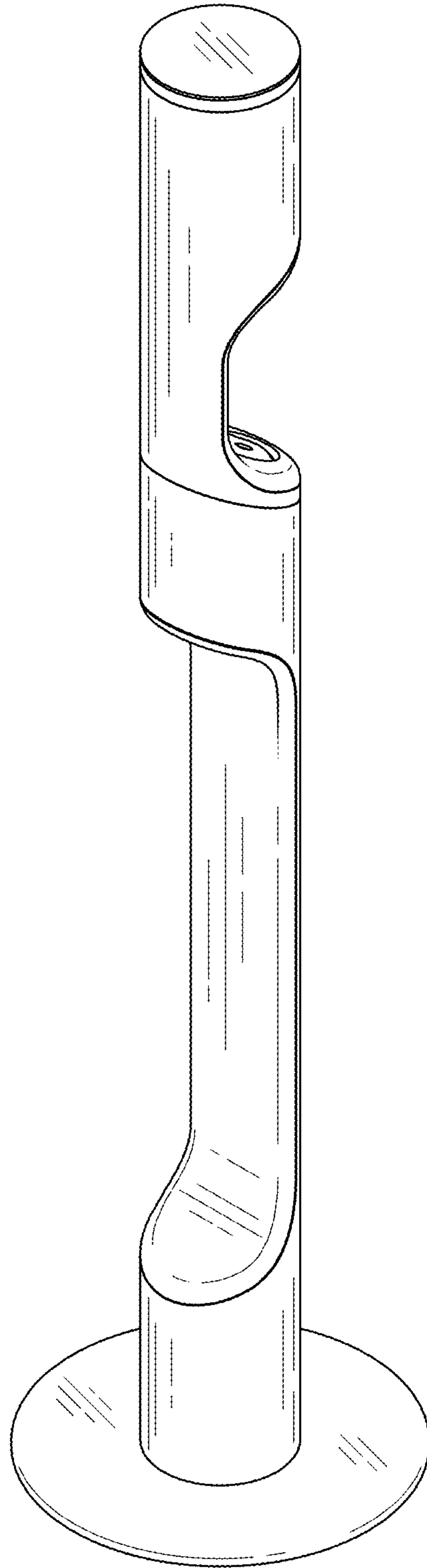


FIG. 2

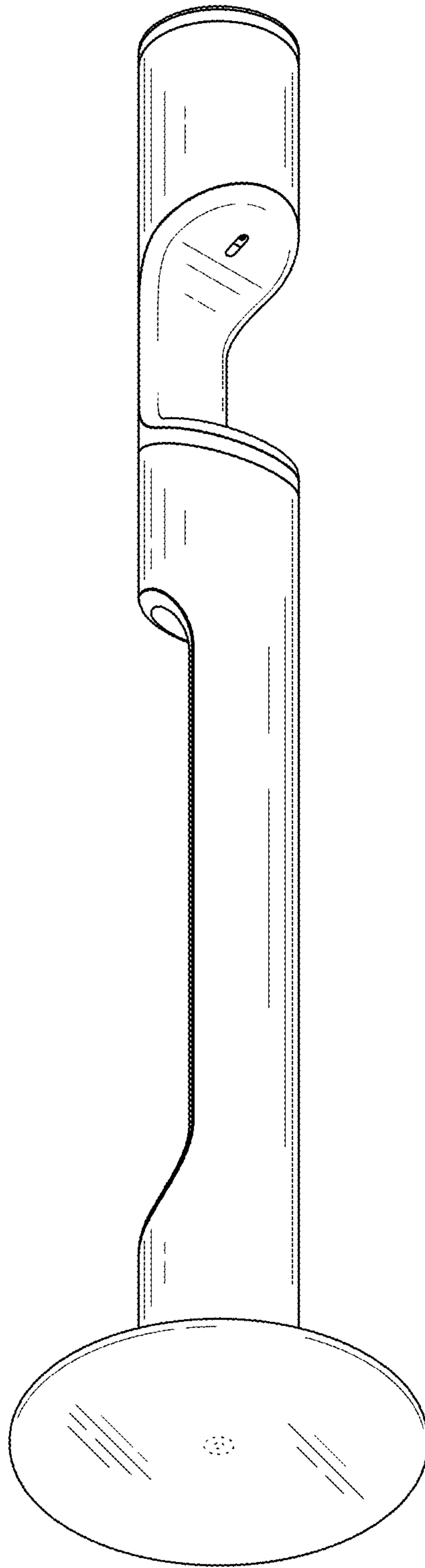


FIG. 3

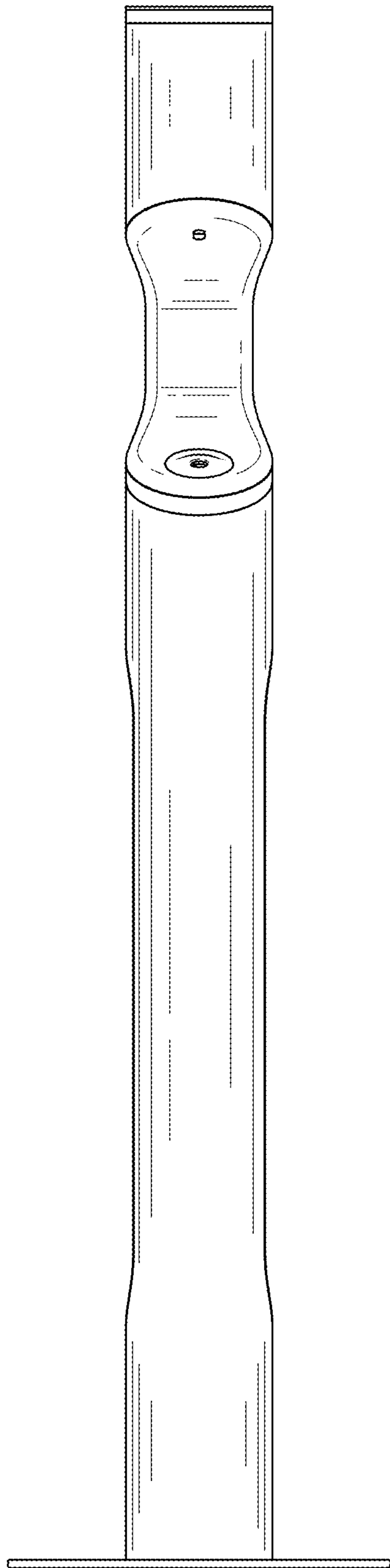


FIG. 4

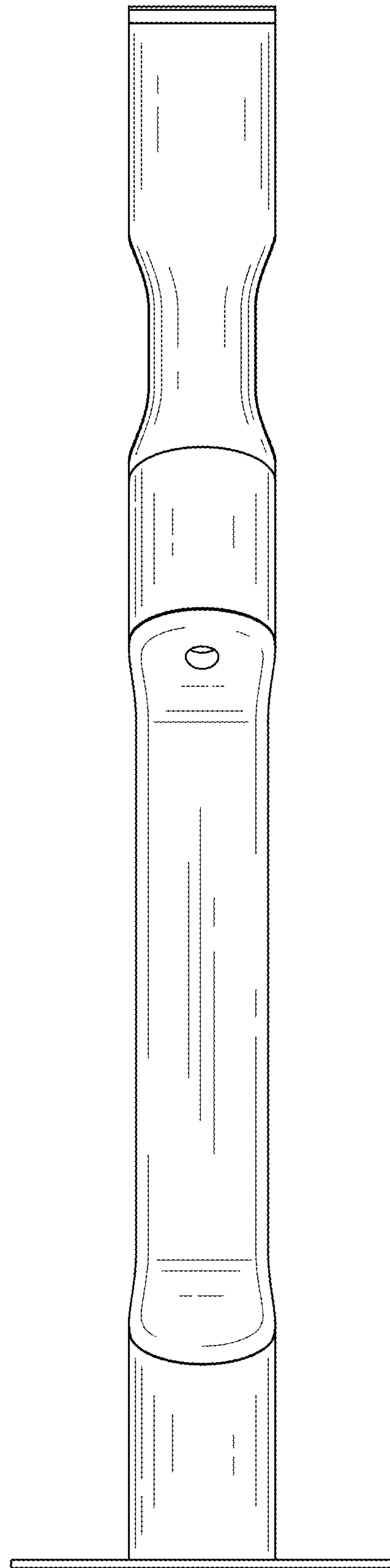


FIG. 5

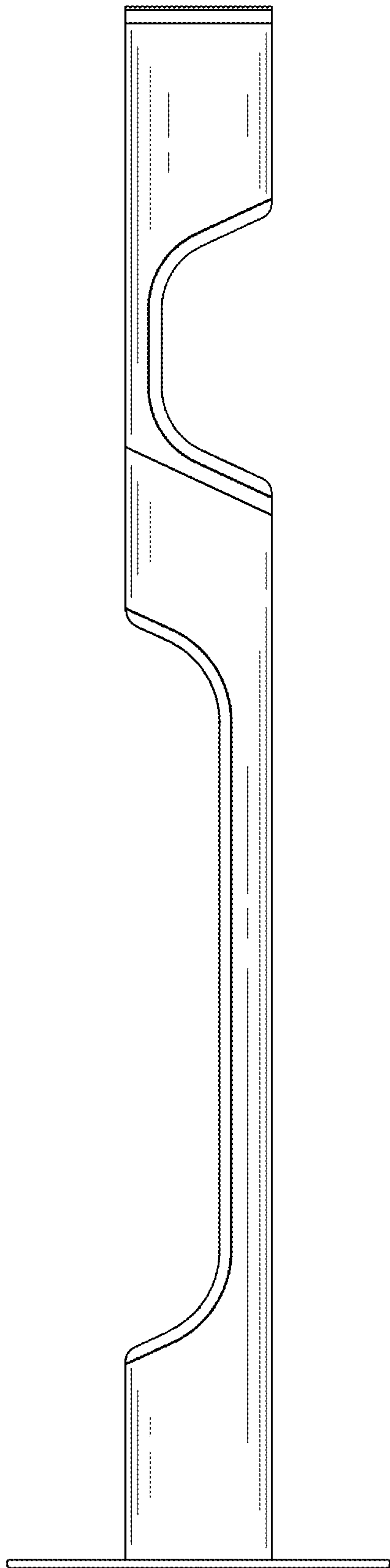


FIG. 6

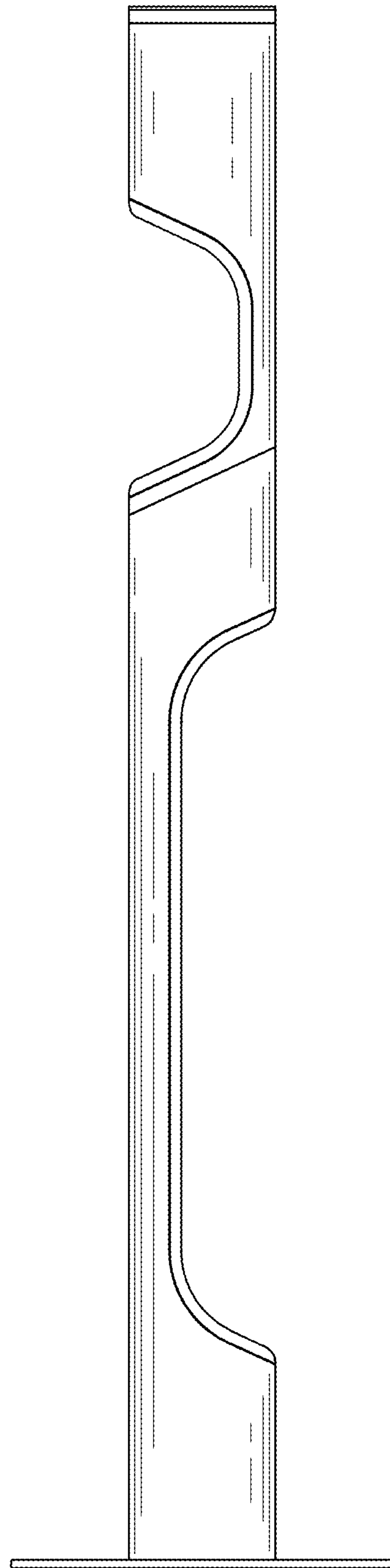


FIG. 7

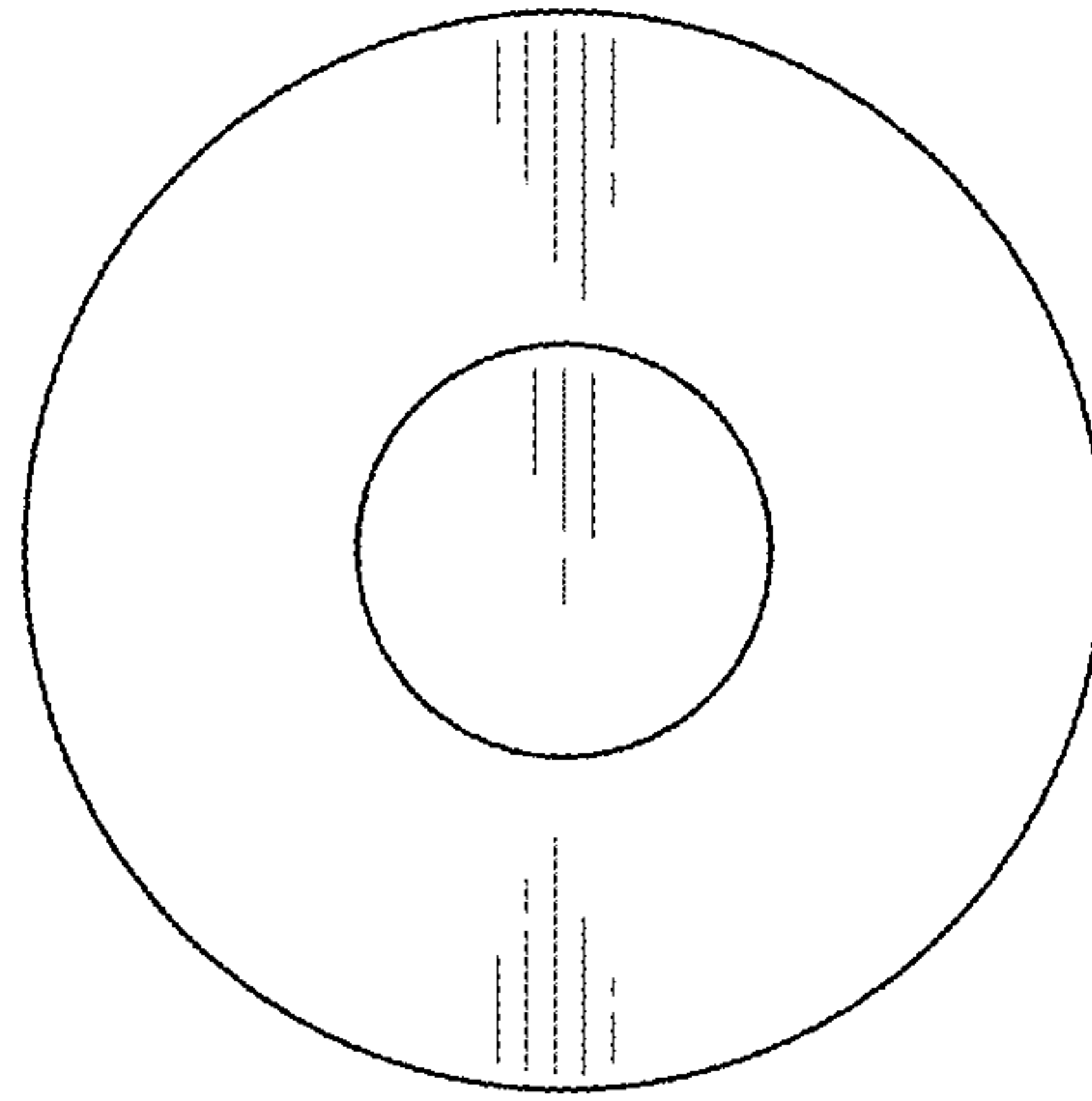


FIG. 8

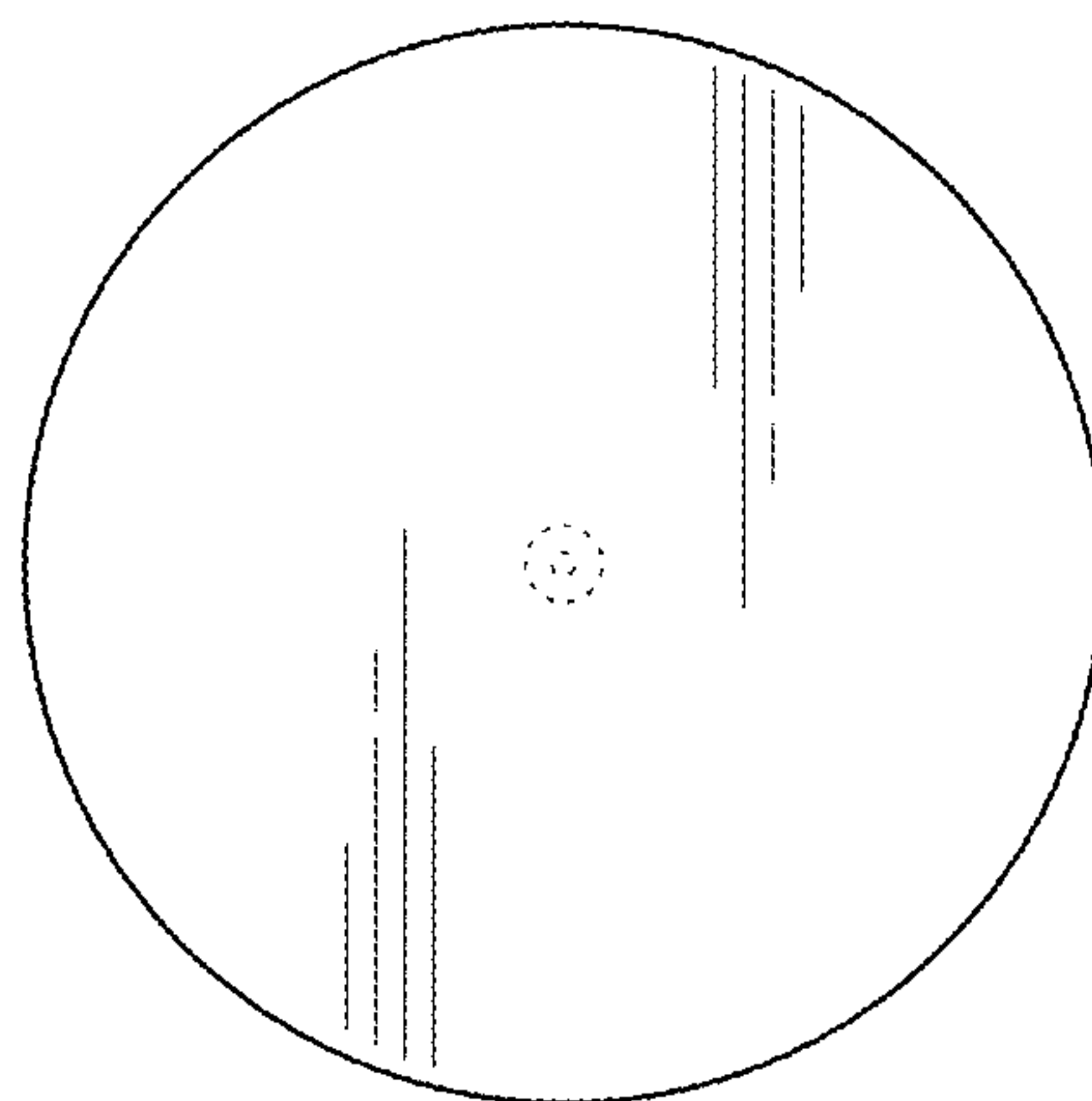


FIG. 9

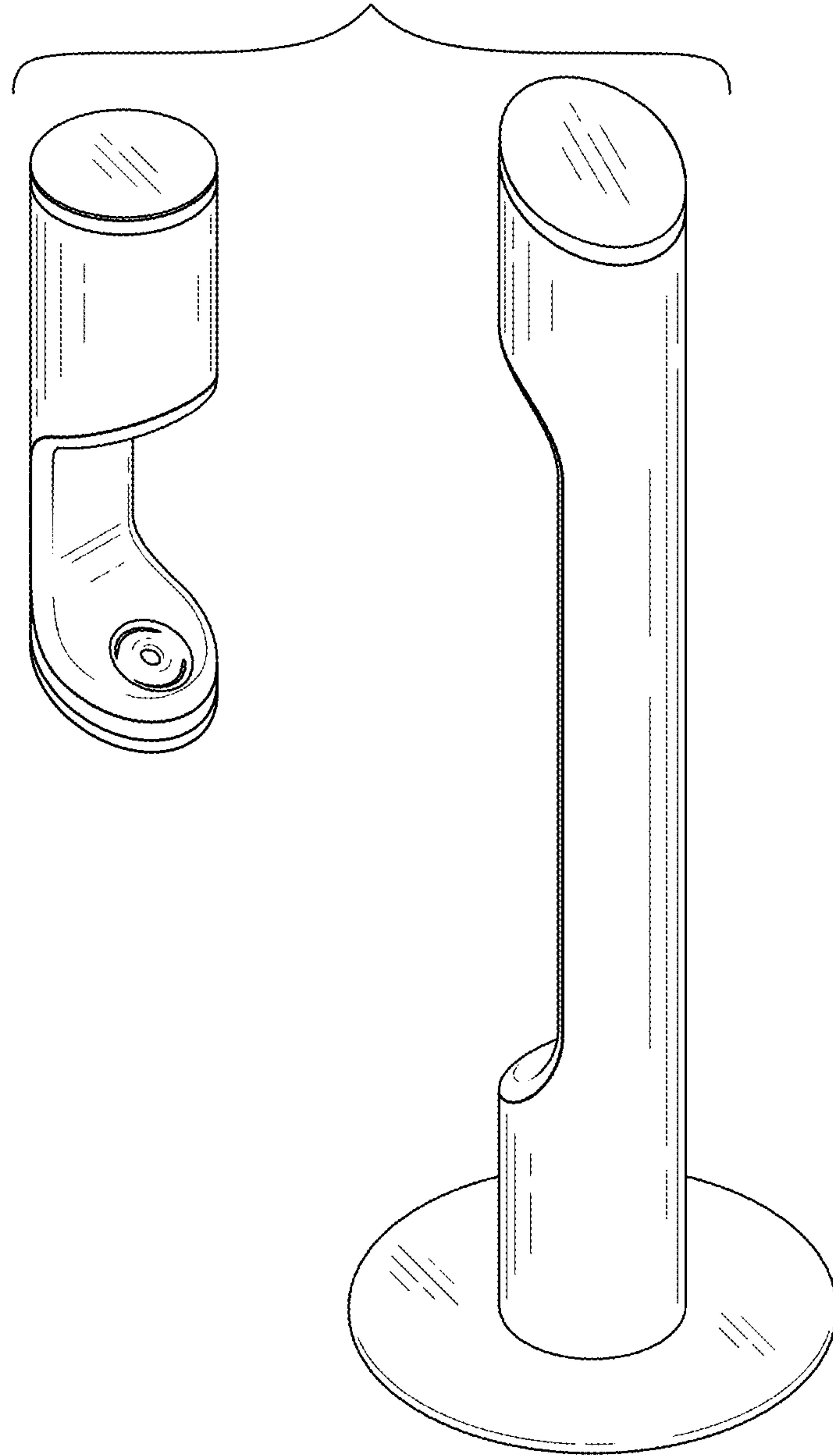


FIG. 10