



US00D987324S

(12) **United States Design Patent**  
**Zhao**

(10) **Patent No.:** **US D987,324 S**

(45) **Date of Patent:** **\*\* May 30, 2023**

- (54) **FOOD BAG STORAGE BOX**
- (71) Applicant: **Nanjing Hichen Home Collection Technology Co., Ltd., Jiangsu (CN)**
- (72) Inventor: **Li Zhao, Jiangsu (CN)**
- (\*\*) Term: **15 Years**
- (21) Appl. No.: **29/803,949**
- (22) Filed: **Aug. 17, 2021**
- (51) **LOC (14) Cl.** ..... **06-06**
- (52) **U.S. Cl.**  
USPC ..... **D6/515; D3/304**
- (58) **Field of Classification Search**  
USPC ..... D3/304, 305, 307, 309-314, 319, 323;  
D9/414, 416, 431-432, 435, 444, 455,  
D9/460, 499, 517, 518, 522, 702-714,  
D9/719, 738-740; D6/515, 524, 525,  
D6/553, 562  
CPC ..... A45C 7/0077; A45C 3/04; A45C 3/10;  
B65D 43/0218; B65D 33/00; B65D  
33/02; B65D 33/06; B65D 33/065; B65D  
33/14; B65D 33/1683; B65D 33/12;  
B65D 33/24; B65D 31/00; B65D 31/04;  
B65D 31/10; B65D 11/1893; B65D  
21/0213; B65D 1/00; B65D 1/22; B65D  
1/24; B65D 1/34; B65D 1/36; B65D  
1/38; B65D 1/225; B65D 1/243; A47B  
55/00; A47B 55/002; A47B 87/0284;  
A47B 43/00; A47B 43/003; A47B  
46/021; A47B 73/008; A47B 57/00; A47B  
57/14; A47B 57/16; A47B 57/20  
See application file for complete search history.

- D254,585 S \* 4/1980 LeCaire, Jr. .... D9/425
- 4,200,200 A \* 4/1980 Hein, III ..... A47K 10/421  
229/940
- D289,105 S \* 4/1987 Sussman ..... D7/612
- D369,469 S \* 5/1996 Gregory ..... D9/761
- D681,378 S \* 5/2013 Murphy ..... D6/515
- D683,986 S \* 6/2013 Murphy ..... D6/515
- D686,842 S \* 7/2013 Murphy ..... D6/515
- 2003/0201276 A1 \* 10/2003 Fuller ..... B65D 83/0805  
221/302
- 2018/0022534 A1 \* 1/2018 McCormick ..... B65D 83/0805  
206/278
- 2018/0072478 A1 \* 3/2018 Vanderhulst ..... B65D 85/18
- 2020/0122915 A1 \* 4/2020 Tien Tjiu ..... B65D 83/0876

**FOREIGN PATENT DOCUMENTS**

- CN 202130834831.X \* 5/2022
- CN 202230249773.9 \* 11/2022

\* cited by examiner

*Primary Examiner* — Eric L Goodman  
*Assistant Examiner* — Christopher John Suarez La Rosa

(57) **CLAIM**

The ornamental design for a food bag storage box, as shown and described.

**DESCRIPTION**

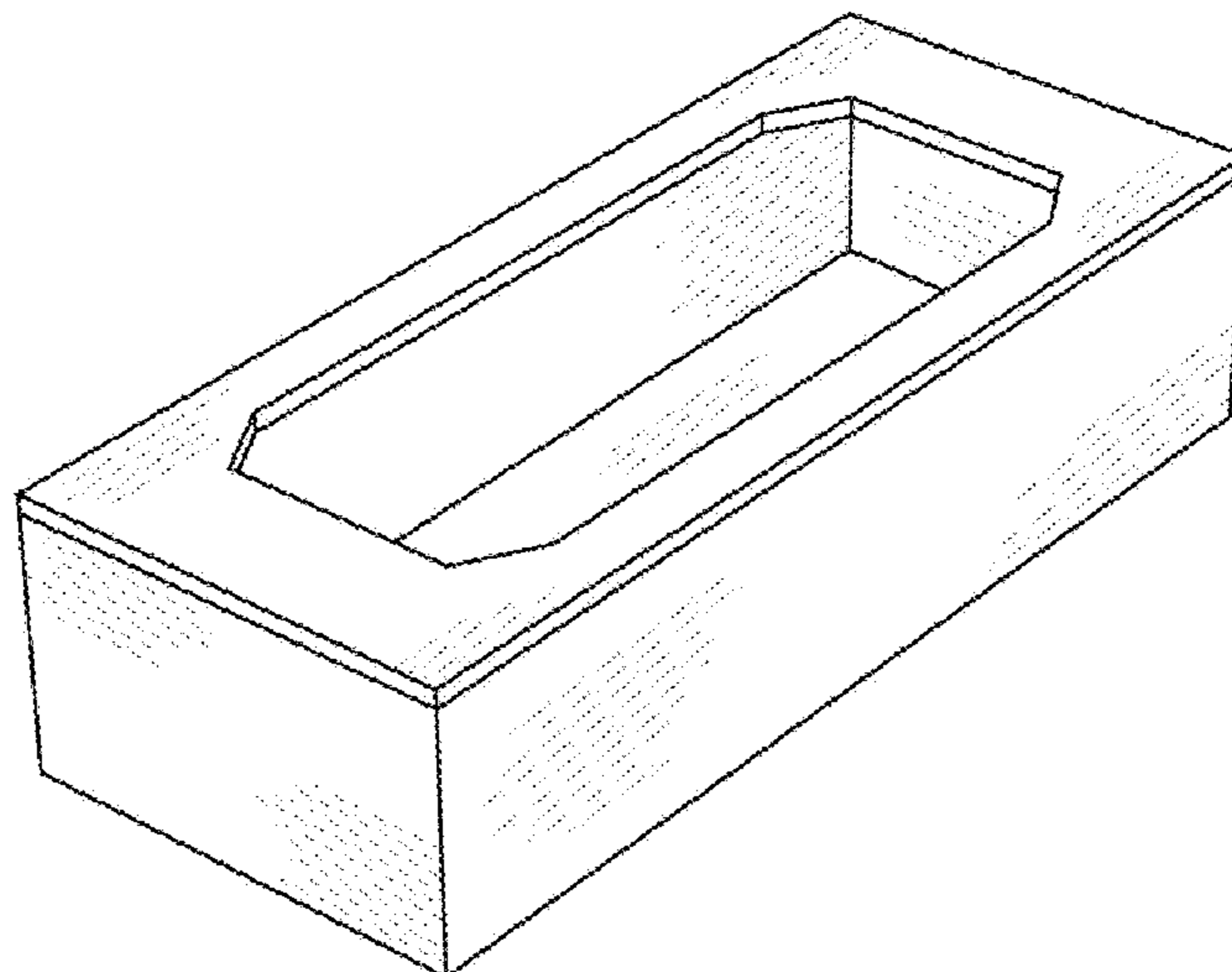
FIG. 1 is a top perspective view of a food bag storage box design showing my new design.  
 FIG. 2 is a front view of a food bag storage box.  
 FIG. 3 is a rear view of a food bag storage box.  
 FIG. 4 is a left side view of a food bag storage box.  
 FIG. 5 is a right side view of a food bag storage box.  
 FIG. 6 is a top view of a food bag storage box.  
 FIG. 7 is a bottom view of a food bag storage box; and,  
 FIG. 8 is a bottom perspective view of a food bag storage box.  
 Any shading and cross-hatching are not features of the design but are utilized to illustrate the surface contours of the food bag storage box design in the drawings.

**1 Claim, 8 Drawing Sheets**

(56) **References Cited**

**U.S. PATENT DOCUMENTS**

- 271,177 A \* 1/1883 White ..... B65D 33/001  
312/50
- 3,424,367 A \* 1/1969 Lesinski ..... B65D 5/62  
229/162.1



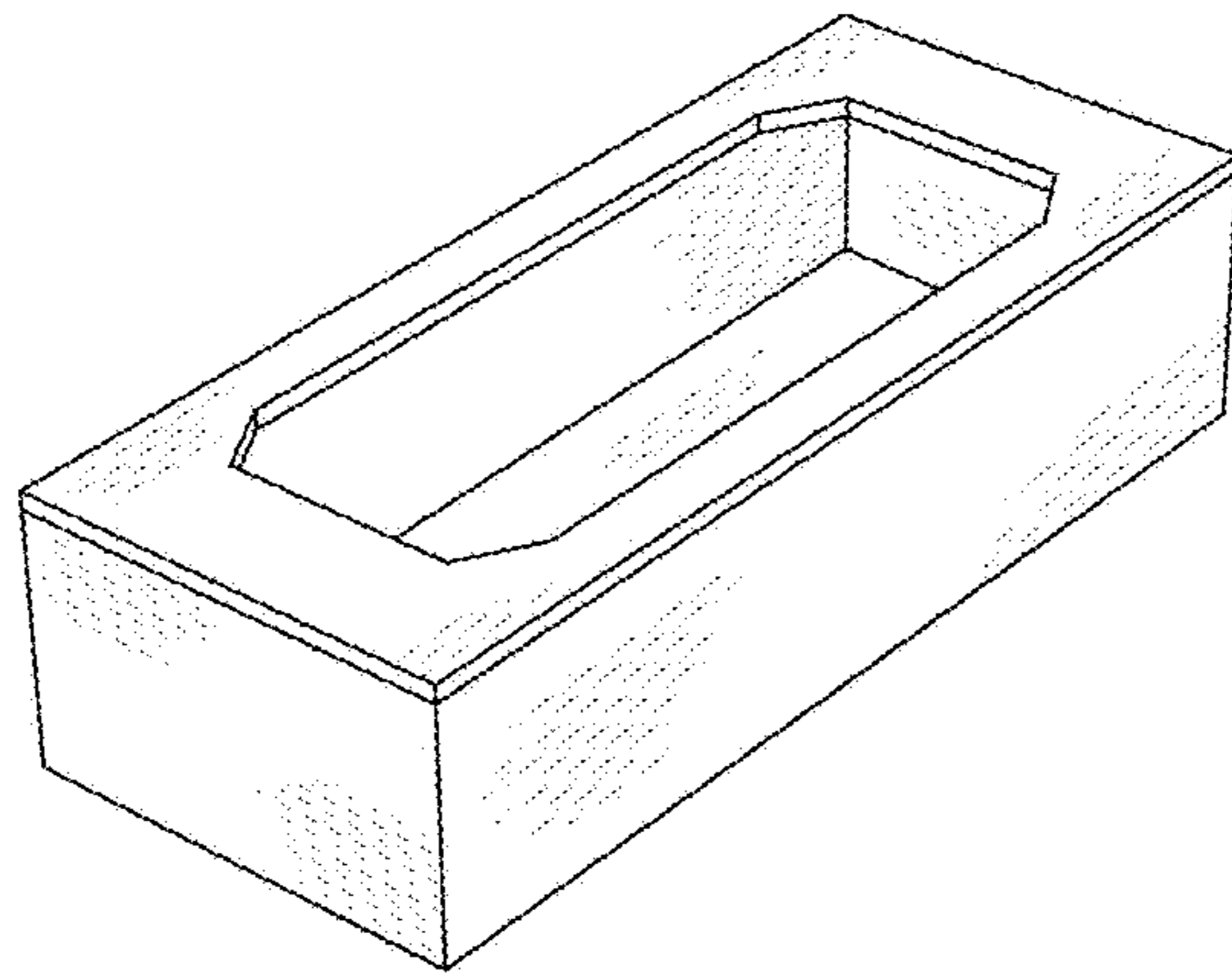


FIG. 1

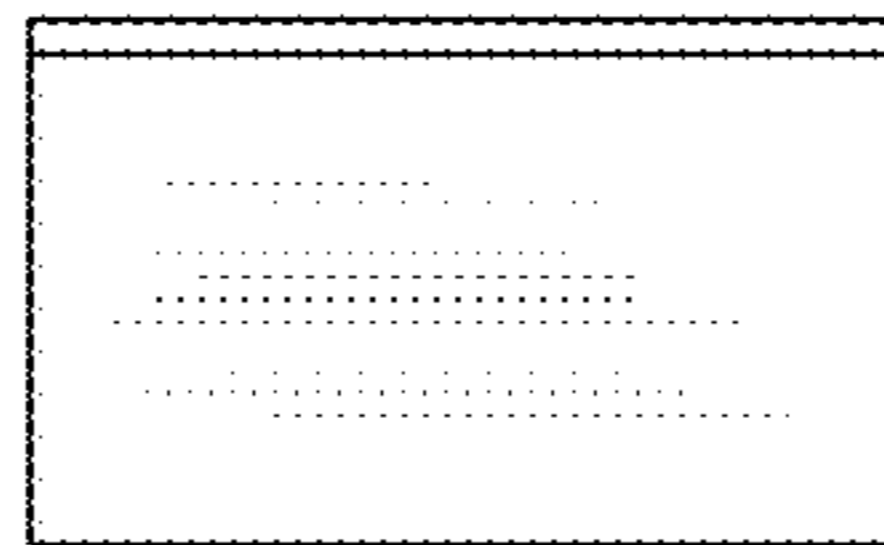


FIG. 2

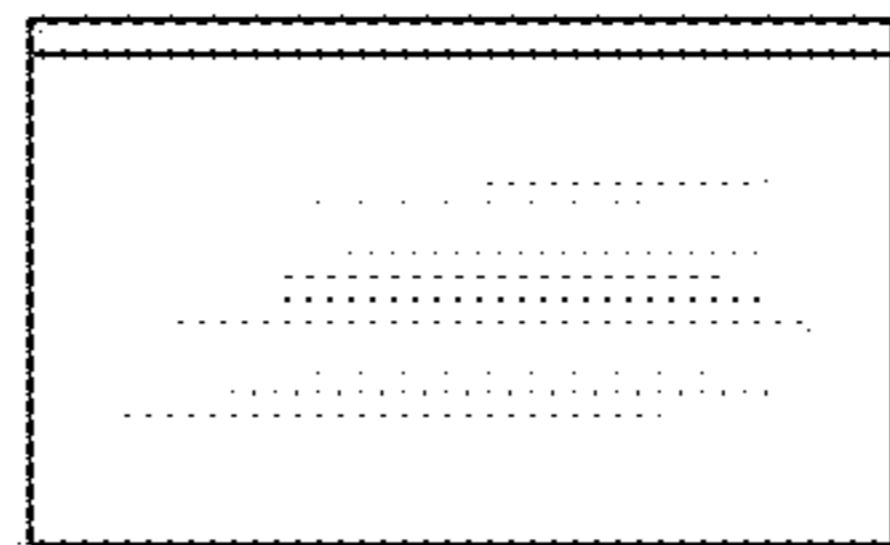


FIG. 3

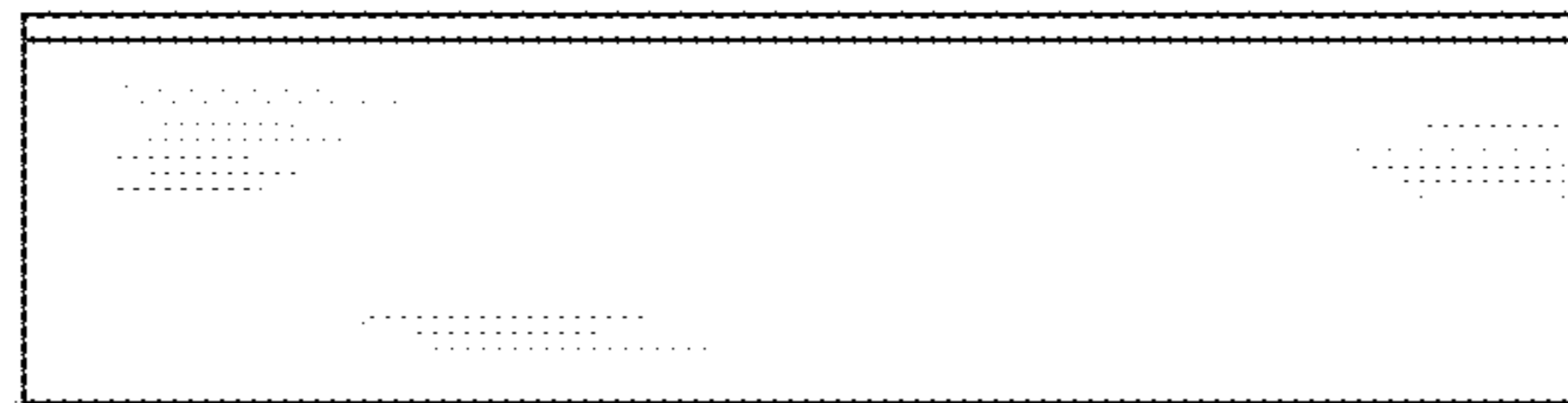


FIG. 4

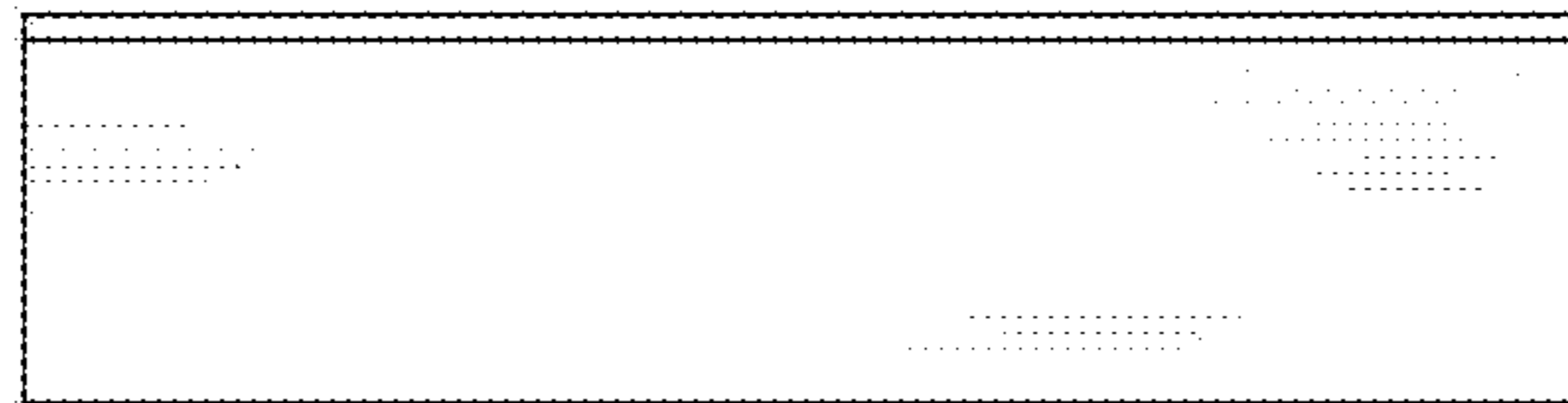


FIG. 5

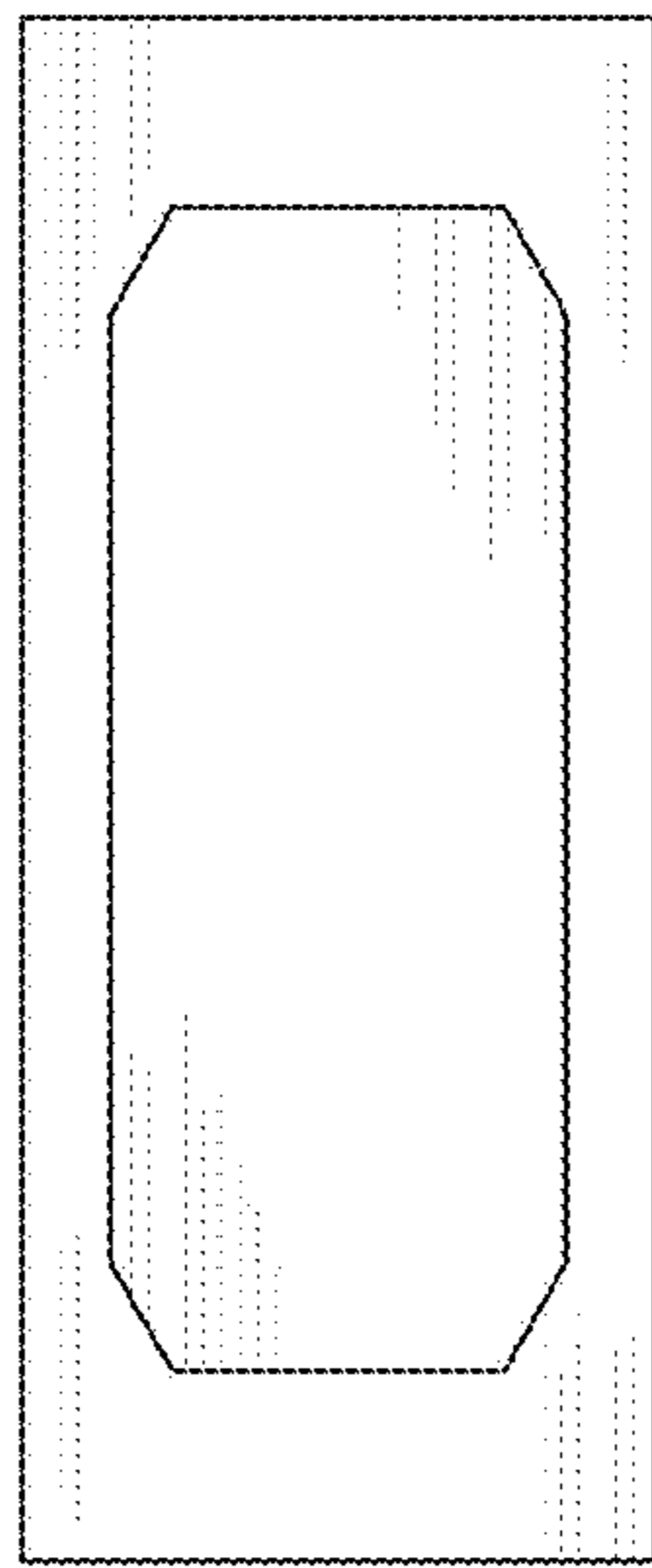


FIG. 6

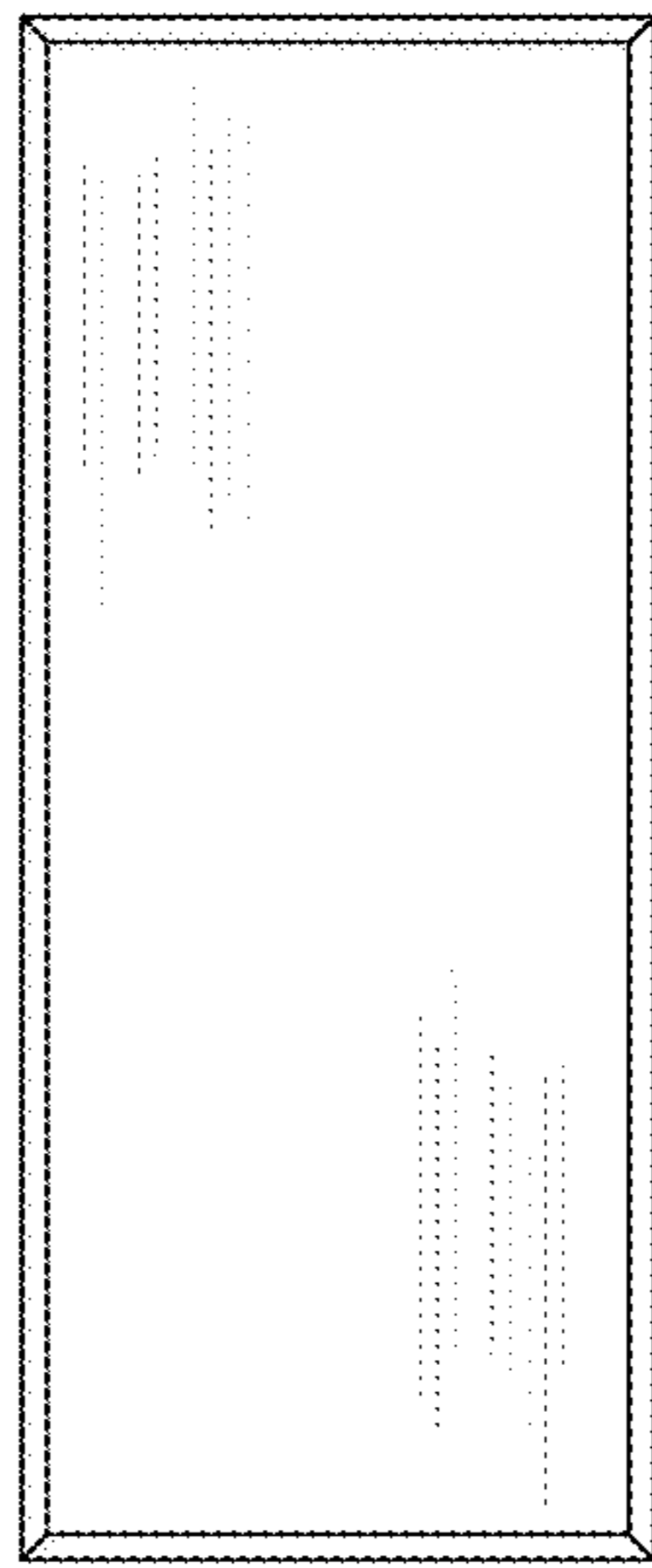


FIG. 7



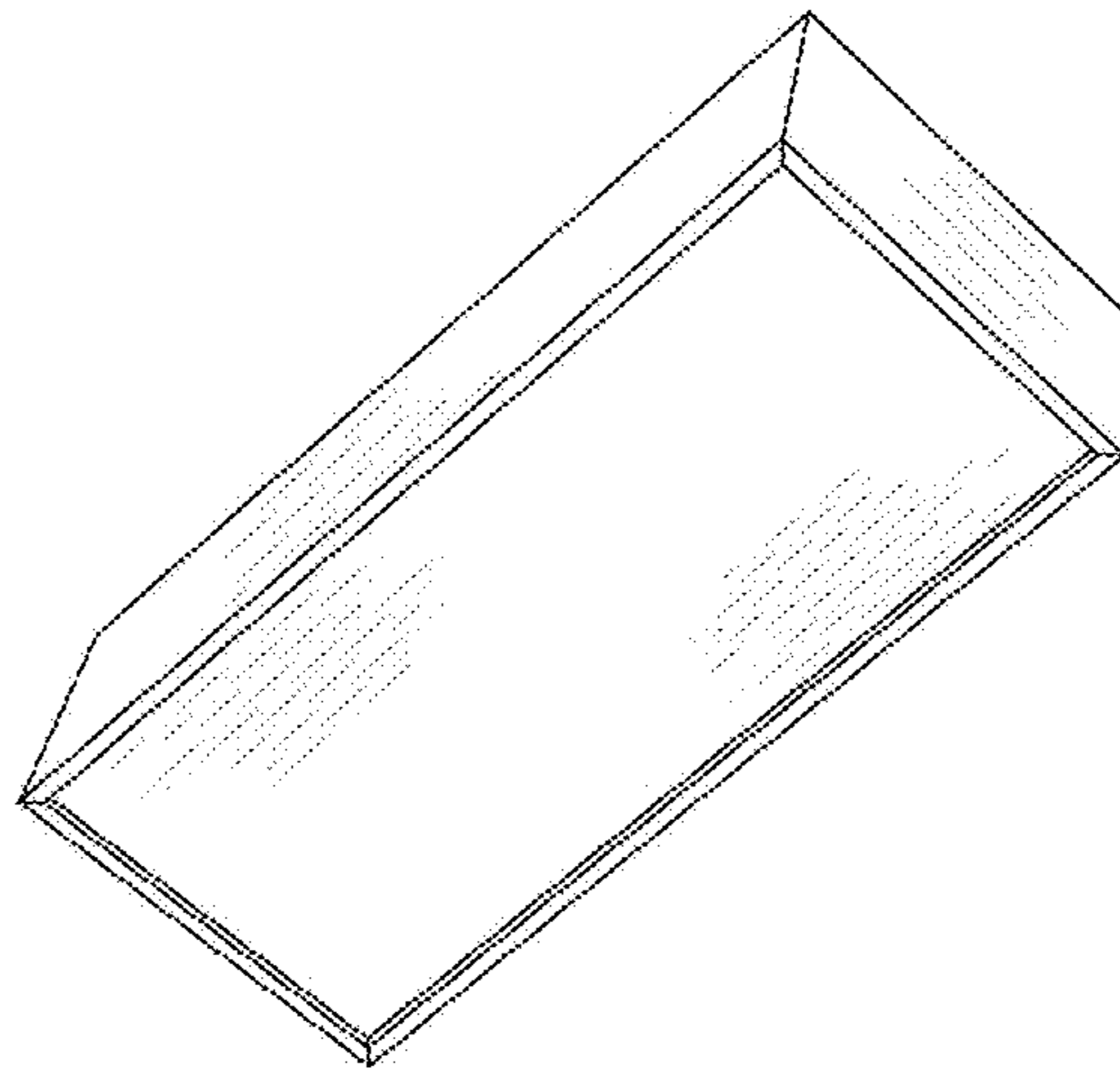


FIG. 8