



US00D987323S

(12) **United States Design Patent** (10) **Patent No.:** **US D987,323 S**
Lin (45) **Date of Patent:** **** May 30, 2023**

(54) **BATH FILLER**

FOREIGN PATENT DOCUMENTS

(71) Applicant: **Kohler Co.**, Kohler, WI (US)

CN 305511364 * 6/2019
CN 306482289 * 4/2021

(72) Inventor: **Xinyao Lin**, Sheboygan, WI (US)

OTHER PUBLICATIONS

(73) Assignee: **KOHLER CO.**, Kohler, WI (US)

D495944 Sirius Soap & Lotion Dispenser by Gerber, <https://tinyurl.com/Gerber-Sirius>, Available before Feb. 26, 2013 (Year: 2013).*

(**) Term: **15 Years**

(Continued)

(21) Appl. No.: **29/705,816**

Primary Examiner — Jennifer L Rempfer

(22) Filed: **Sep. 16, 2019**

Assistant Examiner — Bethany Louise Mallino

(51) **LOC (14) Cl.** **06-04**

(74) *Attorney, Agent, or Firm* — Foley & Lardner LLP

(52) **U.S. Cl.**

(57) **CLAIM**

USPC **D6/524**

The ornamental design for a bath filler, as shown and described.

(58) **Field of Classification Search**

DESCRIPTION

USPC D6/524, 542–545, 515; D7/306, 312,
D7/313, 322, 397, 398; D23/207, 208,
D23/234, 366

CPC . A45D 19/02; A47K 5/00; A47K 5/12; B05B
7/00; B05B 11/3035; B65D 83/00; C11D
17/00; C11D 17/08; Y10T 137/9464

See application file for complete search history.

FIG. 1 is a perspective view of the claimed design;
FIG. 2 is a front view of the claimed design shown in FIG. 1;
FIG. 3 is a rear view of the claimed design shown in FIG. 1;
FIG. 4 is a side view of the claimed design shown in FIG. 1;
FIG. 5 is another side view of the claimed design shown in FIG. 1;
FIG. 6 is a top view of the claimed design shown in FIG. 1;
and,
FIG. 7 is a bottom view of the claimed design shown in FIG. 1.

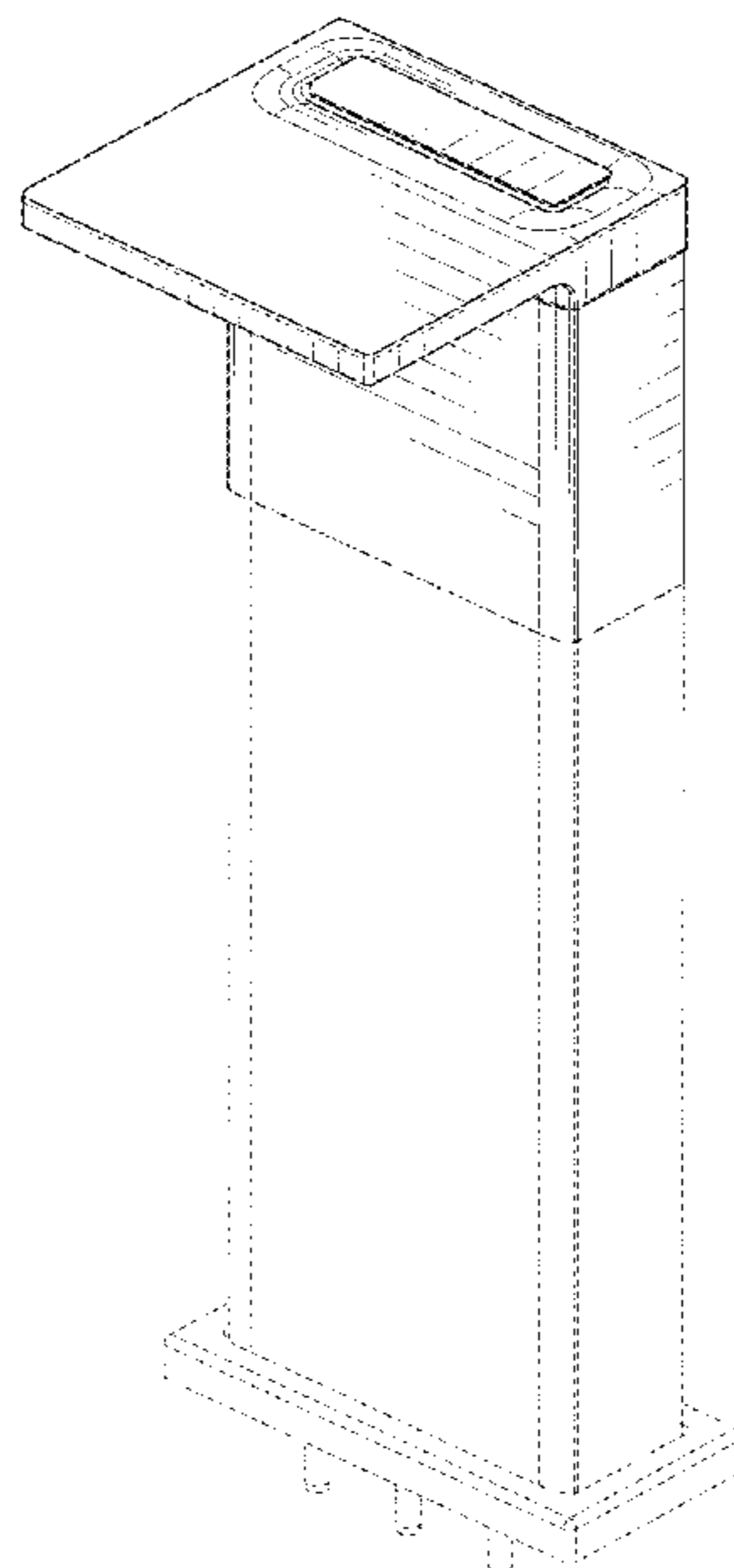
(56) **References Cited**

U.S. PATENT DOCUMENTS

- 3,403,952 A * 10/1968 Alley A47K 5/08
312/61
- D630,304 S * 1/2011 Sandee D23/255
- D661,531 S * 6/2012 Tompkin D6/542
- D803,356 S * 11/2017 Lucchese D23/238
- D810,890 S * 2/2018 Takayama D23/255
- 9,980,615 B1 * 5/2018 Maercovich A47K 5/1211
- D883,448 S * 5/2020 Massaud D23/255
- D887,171 S * 6/2020 Goldfarb D7/300
- D912,209 S * 3/2021 Liu D23/238
- 2017/0107704 A1 * 4/2017 Wang E03C 1/057

The ornamental design that is claimed is shown in the drawings as solid lines and surfaces having surface shading. The broken lines formed by equal length dashes show portions of the design that form no part of the claim. The broken lines formed of dash-dot lengths show boundaries of the claim.

1 Claim, 4 Drawing Sheets



(56)

References Cited

OTHER PUBLICATIONS

LKAV3054CR Soap Dispenser by Elkay, <https://tinyurl.com/Elkay-Dispenser>, Available before Feb. 26, 2013 (Year: 2013).*

Peerless Apex: Soap Dispenser, <https://www.amazon.com/Peerless-Apex-Soap-Dispenser/dp/B079YX7M1X> , First available Apr. 26, 2018 (Year: 2018).*

American Standard Paradigm 0.35 GPM Single Hole Bathroom Faucet with Selectronic Programable Sensor Technology—Less Power Supply, <https://www.build.com/american-standard-702b-103/s1636188?uid=3879661>, Available before Sep. 29, 2021 (Year: 2021).*

* cited by examiner

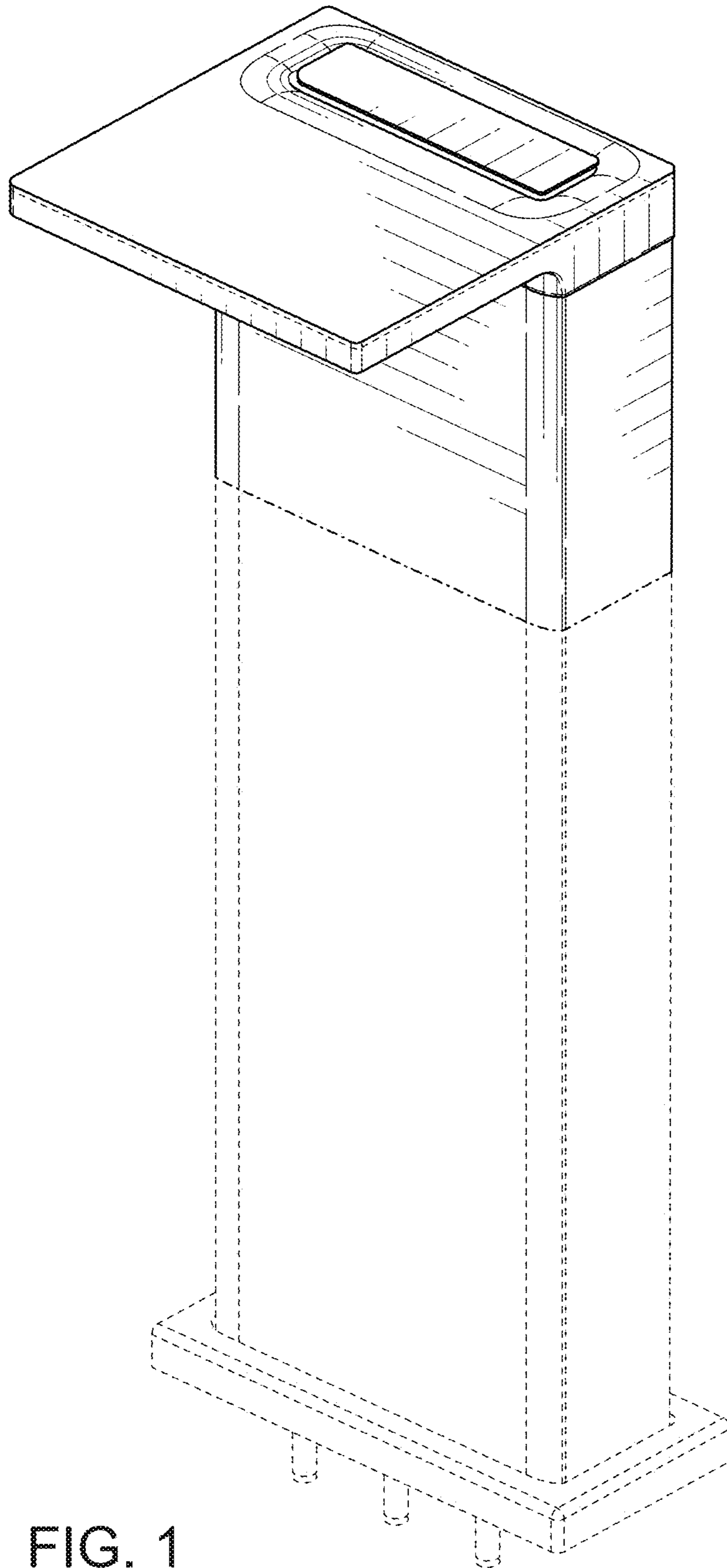


FIG. 1

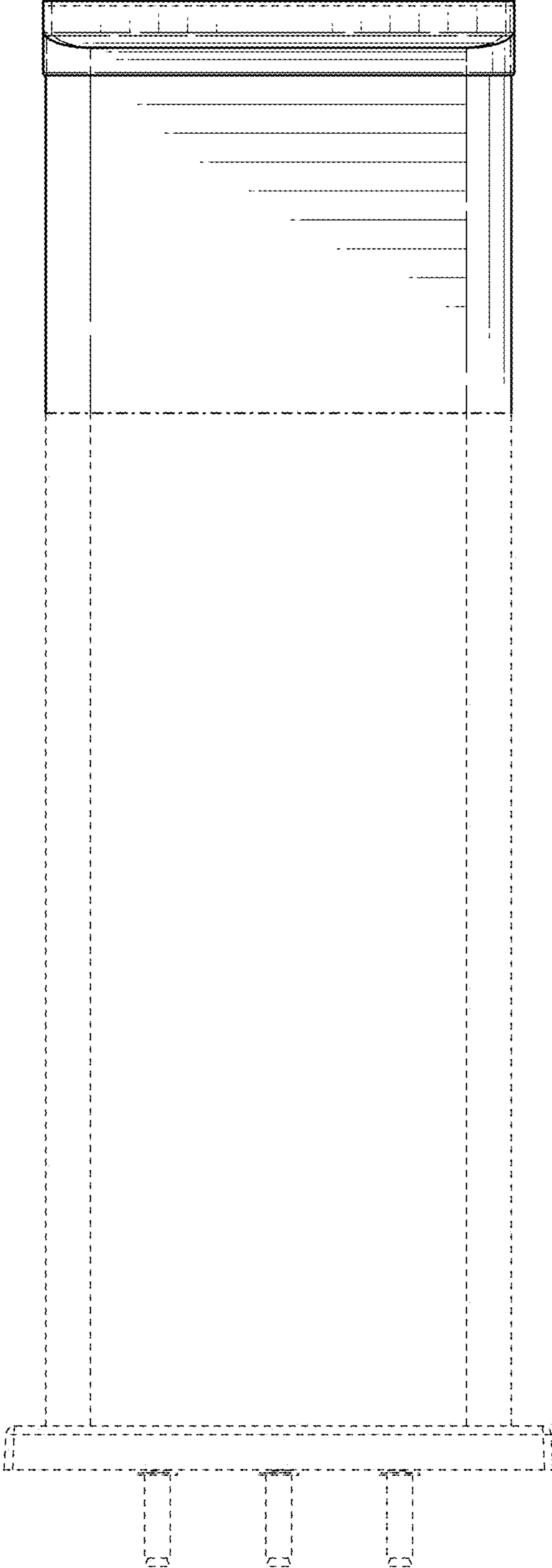


FIG. 2

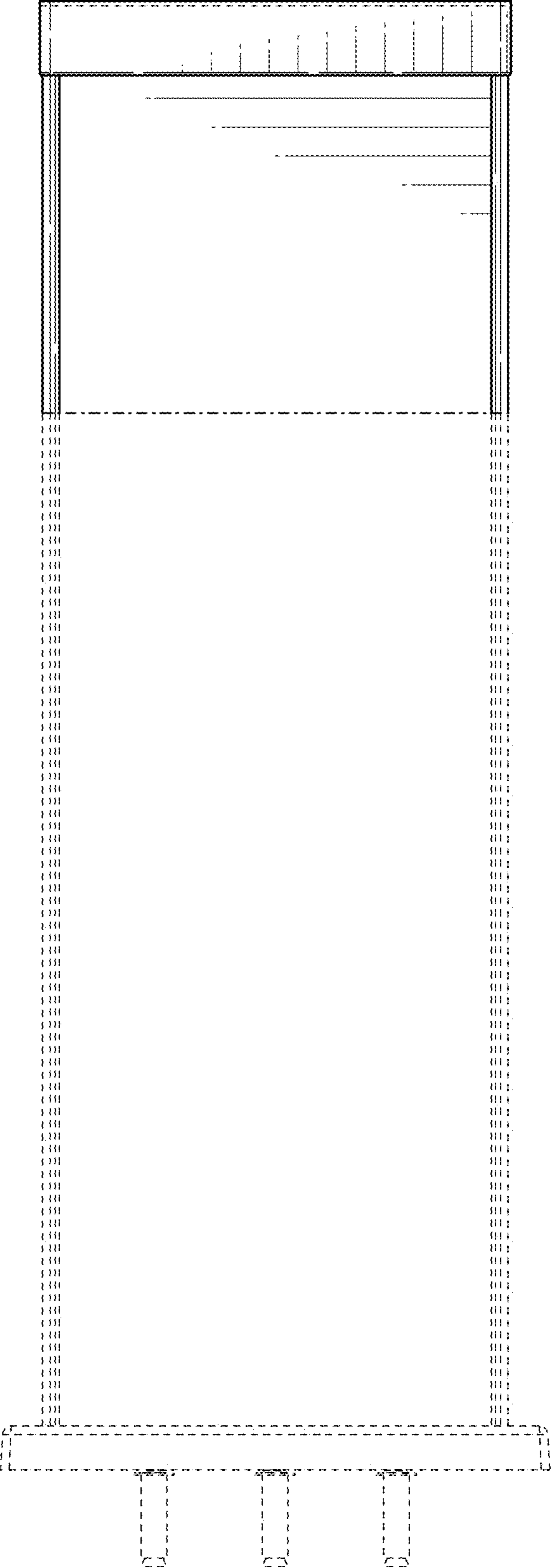
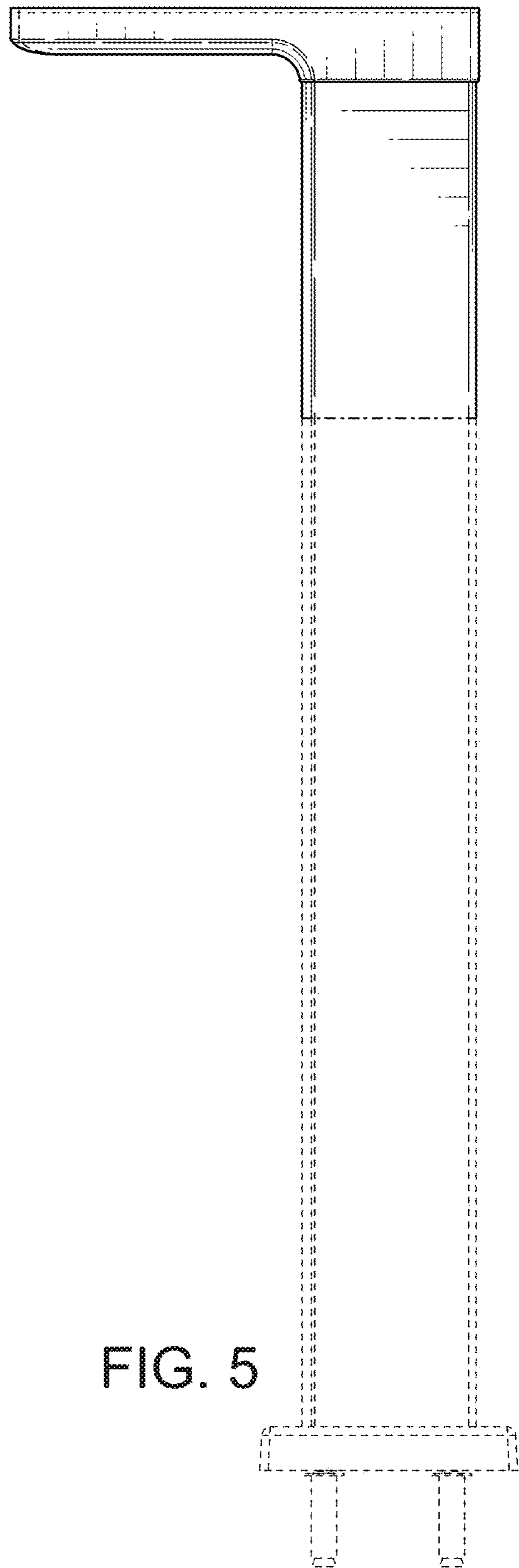
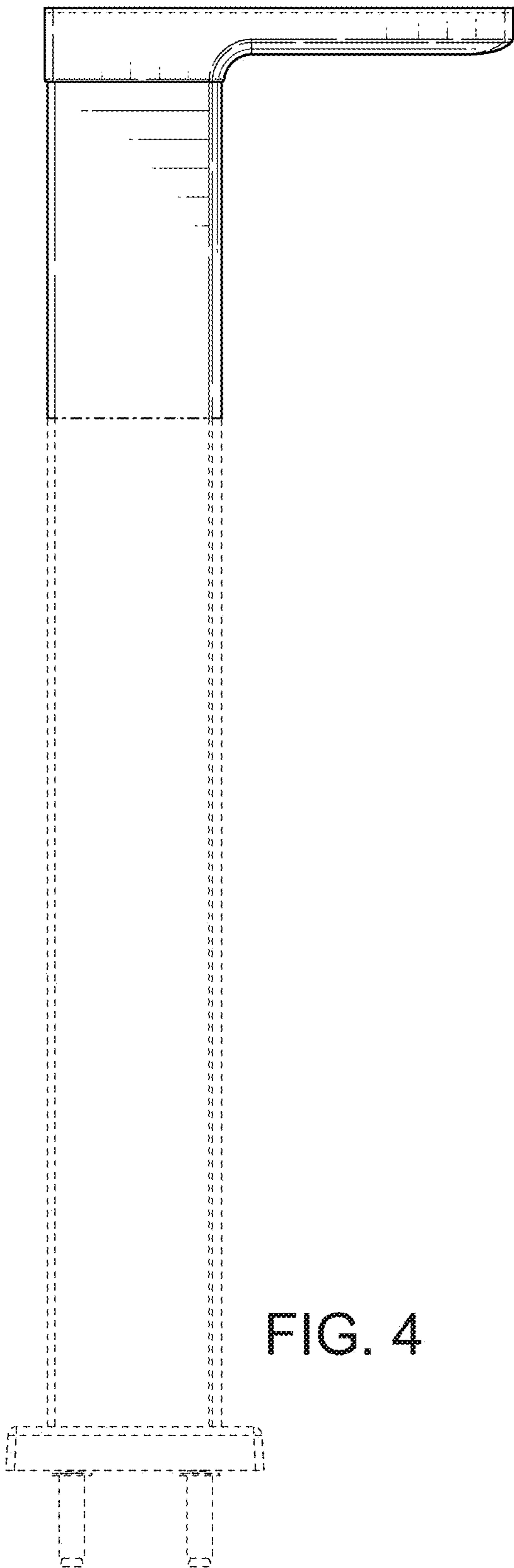


FIG. 3



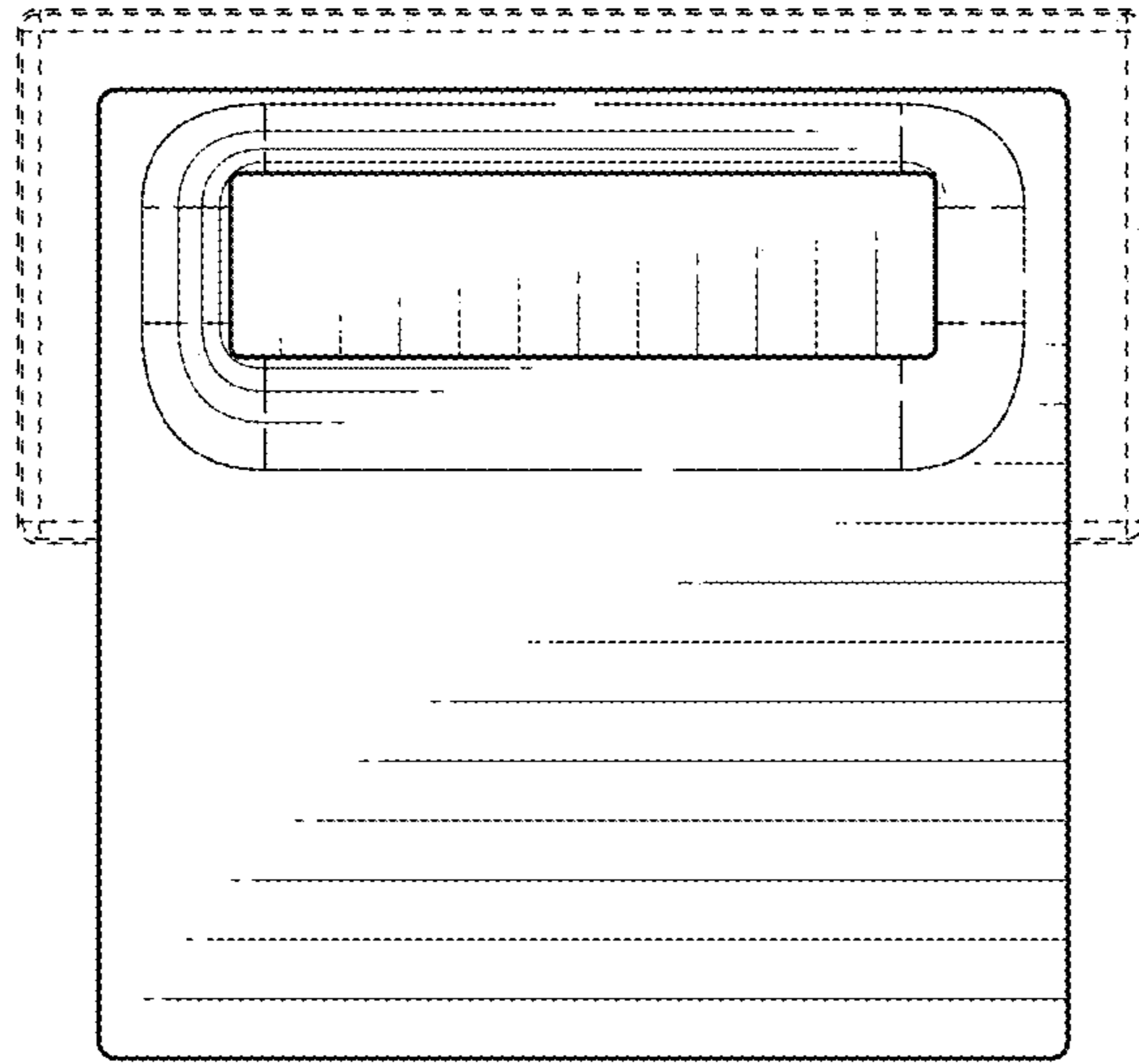


FIG. 6

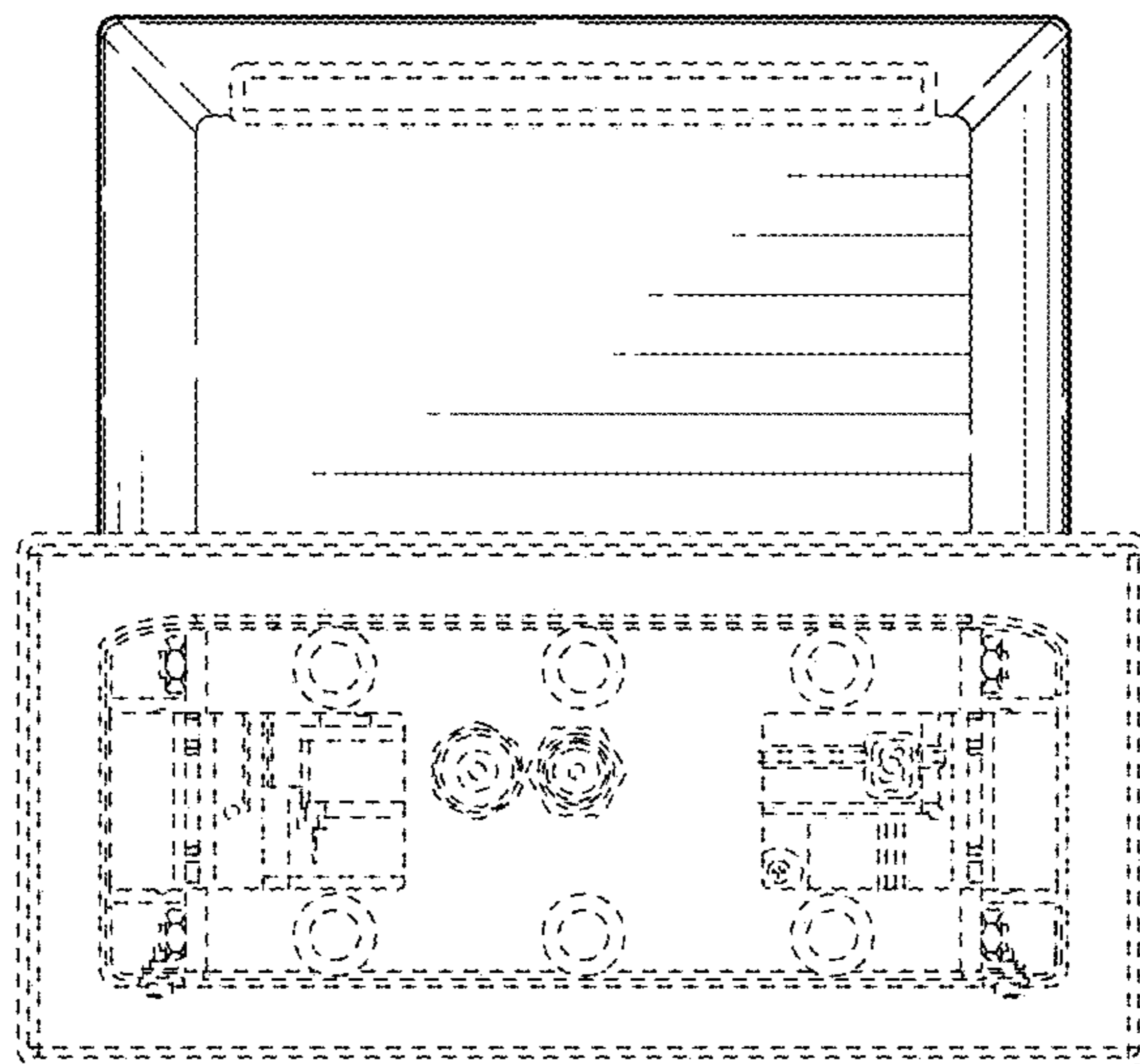


FIG. 7