



US00D987322S

(12) **United States Design Patent** (10) **Patent No.:** **US D987,322 S**
Li (45) **Date of Patent:** **** May 30, 2023**

(54) **DOOR HANGING ORGANIZER**

FOREIGN PATENT DOCUMENTS

(71) Applicant: **Huihui Li**, Guangdong (CN)

CA 58085 * 2/1987

(72) Inventor: **Huihui Li**, Guangdong (CN)

OTHER PUBLICATIONS

(**) Term: **15 Years**

(21) Appl. No.: **29/739,093**

(22) Filed: **Jun. 22, 2020**

(51) **LOC (14) Cl.** **06-06**

(52) **U.S. Cl.**
USPC **D6/514**

(58) **Field of Classification Search**
USPC D3/39, 74, 75, 313; D6/323, 326,
D6/512-515, 518-525, 553, 569-571;
D19/77; D8/300, 303, 315-321
See application file for complete search history.

NesTidy Over The Door Organizer Storage, Wall Mount Hanging Organizer with 4 Large Capacity Pocket Organizers and 3 Small Pockets for Baby Essentials, Toys, Cosmetics, and Sundries (Black, 1 Pack) <https://a.co/d/3dufc5U>, Jul. 19, 2021 (Year: 2021).*
Honey-Can-Do 10-Pocket Over-The-Door Organizer, Natural SFT-08648 Natural <https://a.co/d/1cKGGKz>, TinEye Mar. 26, 2020 (Year: 2020).*

* cited by examiner

Primary Examiner — Jennifer L Rempfer
Assistant Examiner — Bethany Louise Mallino

(56) **References Cited**

(57) **CLAIM**

The ornamental design for a door hanging organizer, as shown.

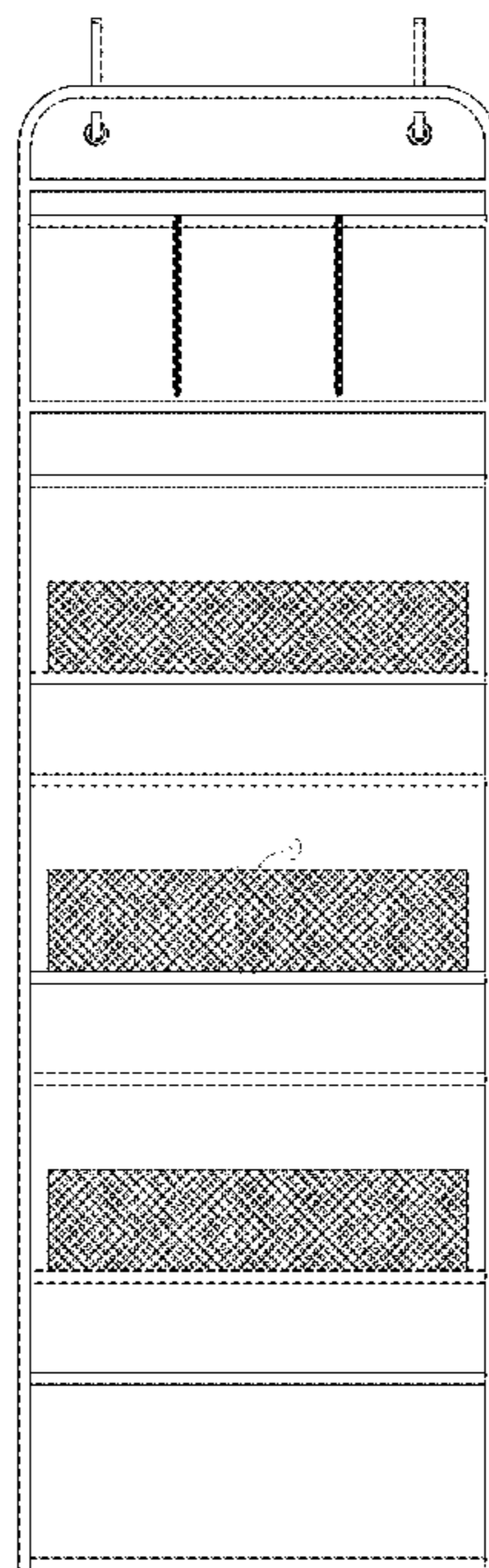
U.S. PATENT DOCUMENTS

DESCRIPTION

D313,524 S *	1/1991	Barnes	D6/553
D438,412 S *	3/2001	Dolan	D6/513
D543,760 S *	6/2007	Utzing, III	D6/553
D547,989 S *	8/2007	Nelson	D6/553
D579,254 S *	10/2008	Dominique	D6/570
7,438,194 B2 *	10/2008	Wang	A47F 7/146 211/113
D657,598 S *	4/2012	Neal	D6/514
D761,588 S *	7/2016	Cohen	D6/553
D880,889 S *	4/2020	Yang	D6/514
D885,081 S *	5/2020	Baul	D6/553
D902,306 S *	11/2020	Albanese	D19/77
D917,200 S *	4/2021	Zeng	D6/553
D968,120 S *	11/2022	Li	D6/514
2009/0057250 A1 *	3/2009	Turner	A47G 25/00 211/85.3
2020/0187645 A1 *	6/2020	Felsenthal	A47B 61/04

FIG. 1 is a front elevational view of a door hanging organizer showing my new design;
FIG. 2 is a rear elevational view thereof;
FIG. 3 is a left side view thereof;
FIG. 4 is a right side view thereof;
FIG. 5 is a top plan view thereof;
FIG. 6 is a bottom plan view thereof;
FIG. 7 is a perspective view thereof;
FIG. 8 is another perspective view thereof;
FIG. 9 is an enlarged view of portion 9 shown in FIG. 1; and,
FIG. 10 is an enlarged view of portion 10 shown in FIG. 7.

1 Claim, 10 Drawing Sheets



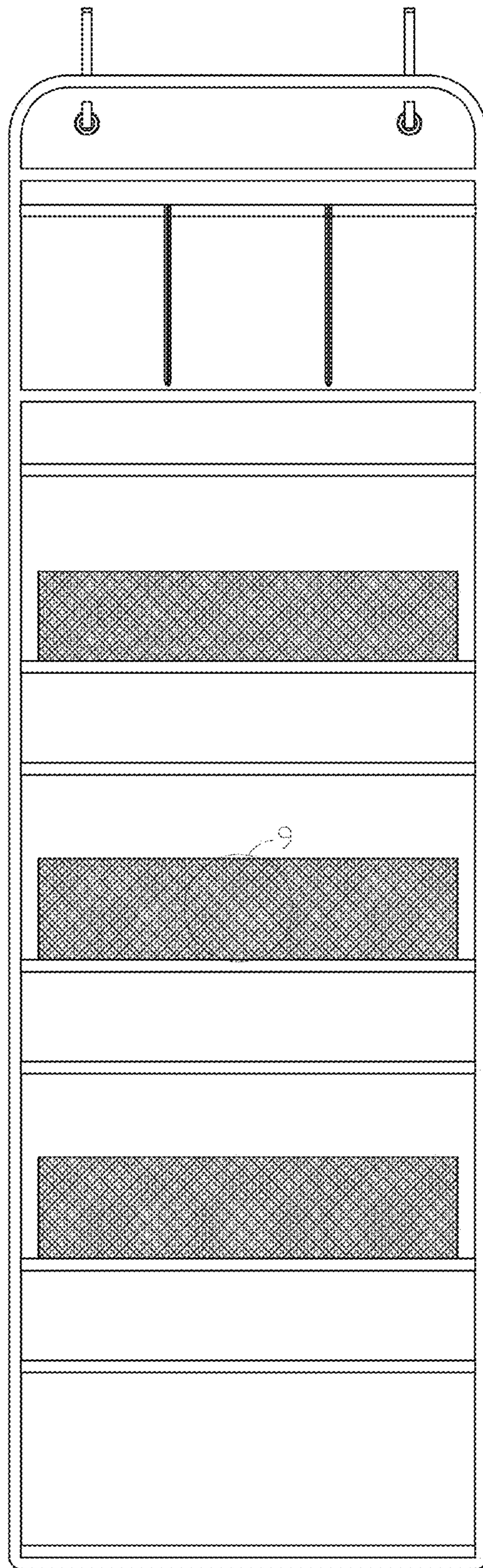


FIG. 1

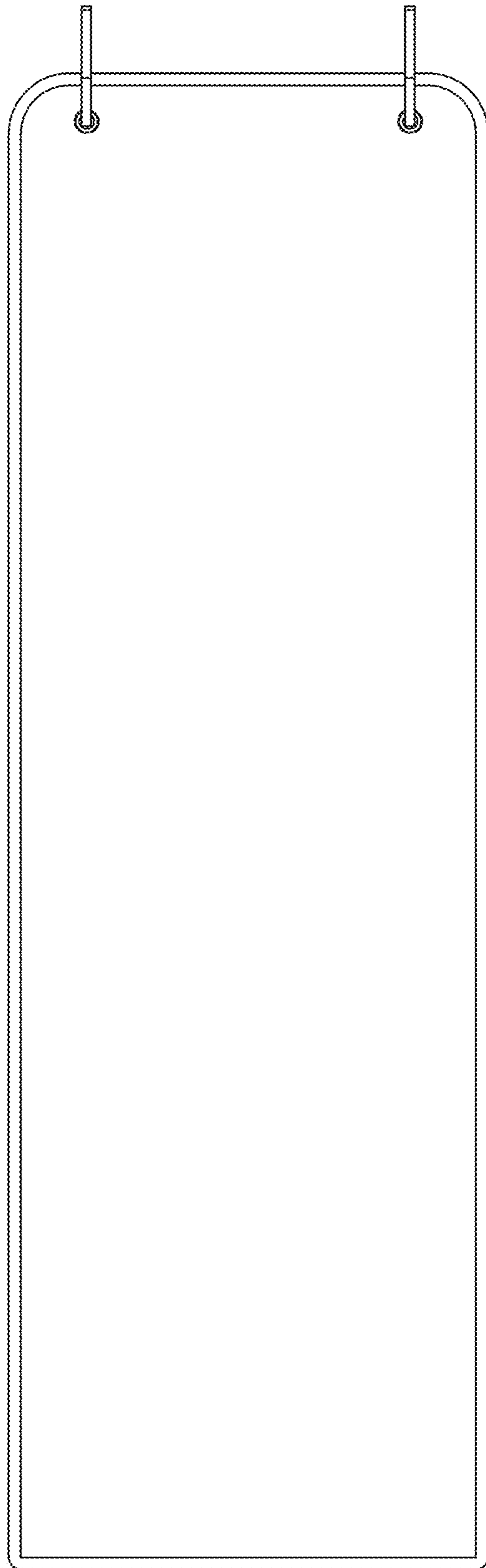


FIG. 2

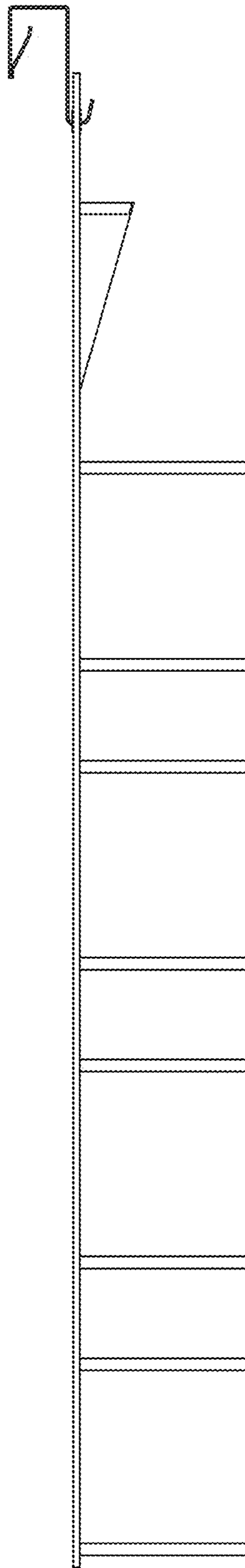


FIG. 3

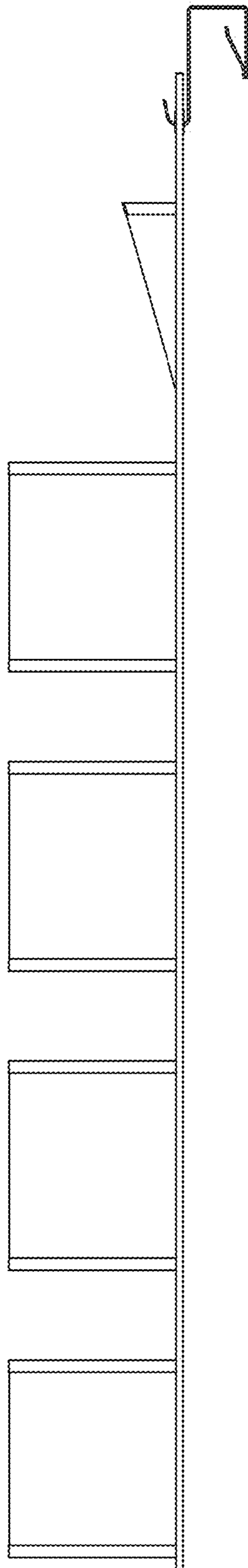


FIG. 4

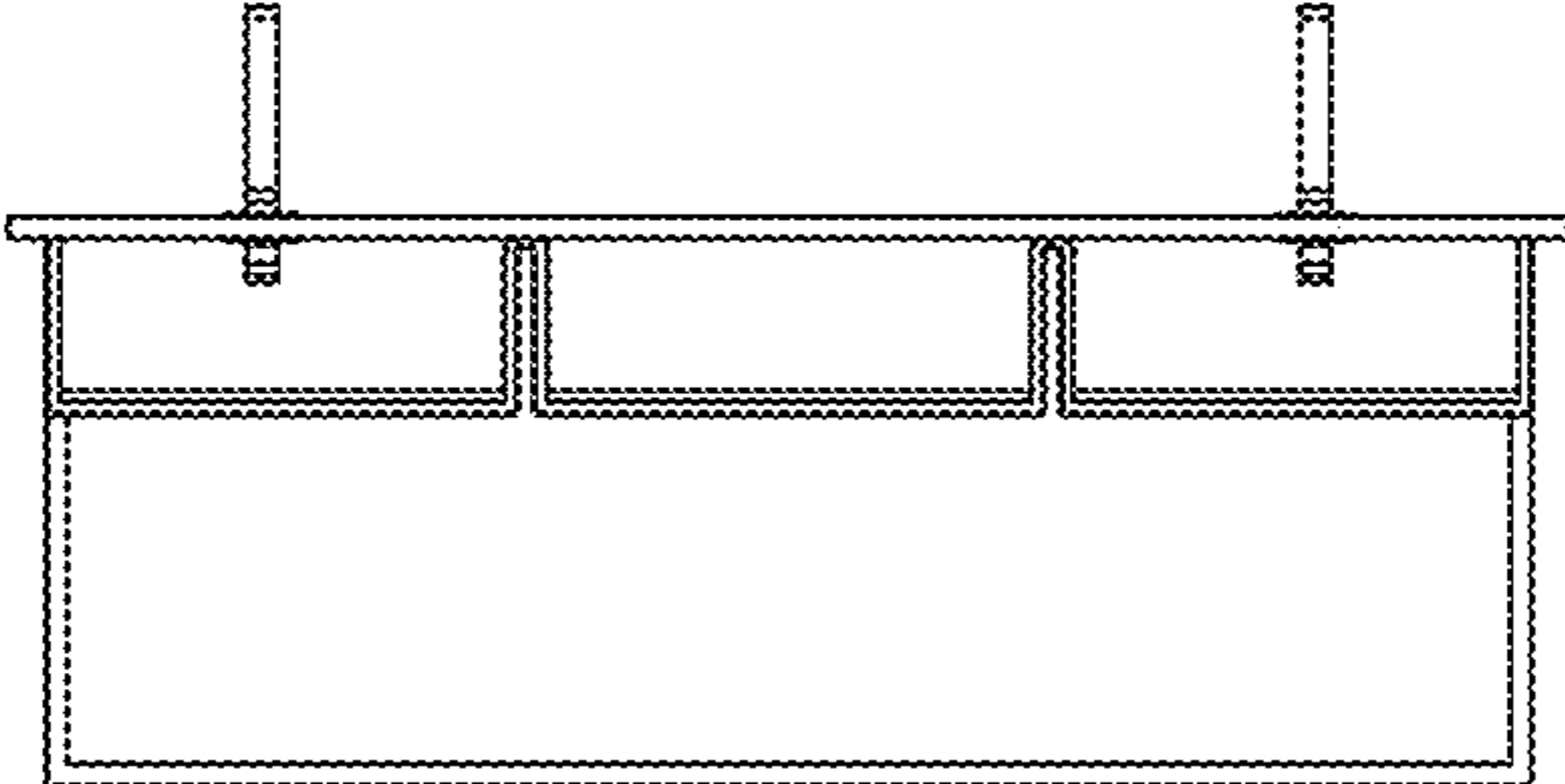


FIG. 5

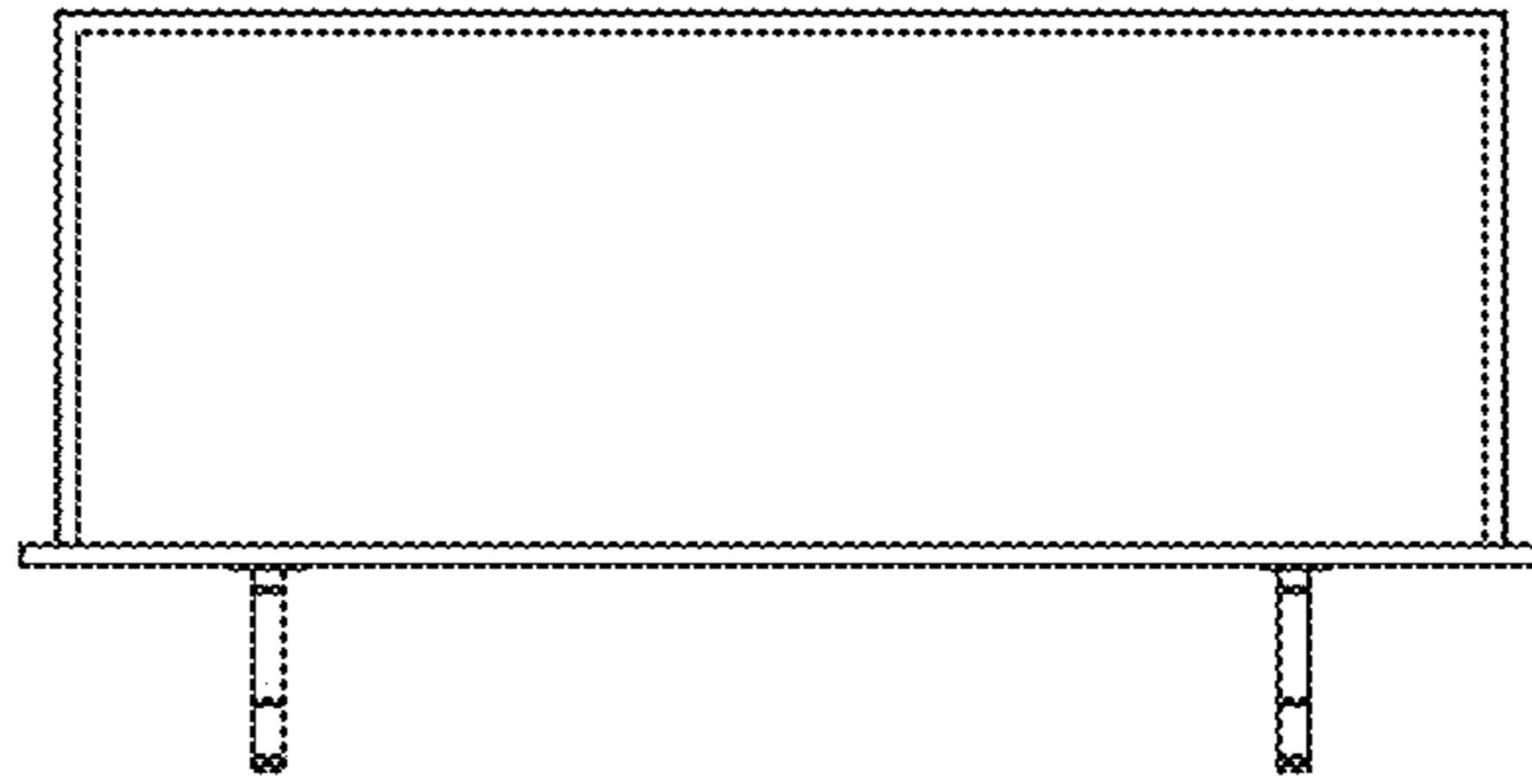


FIG. 6

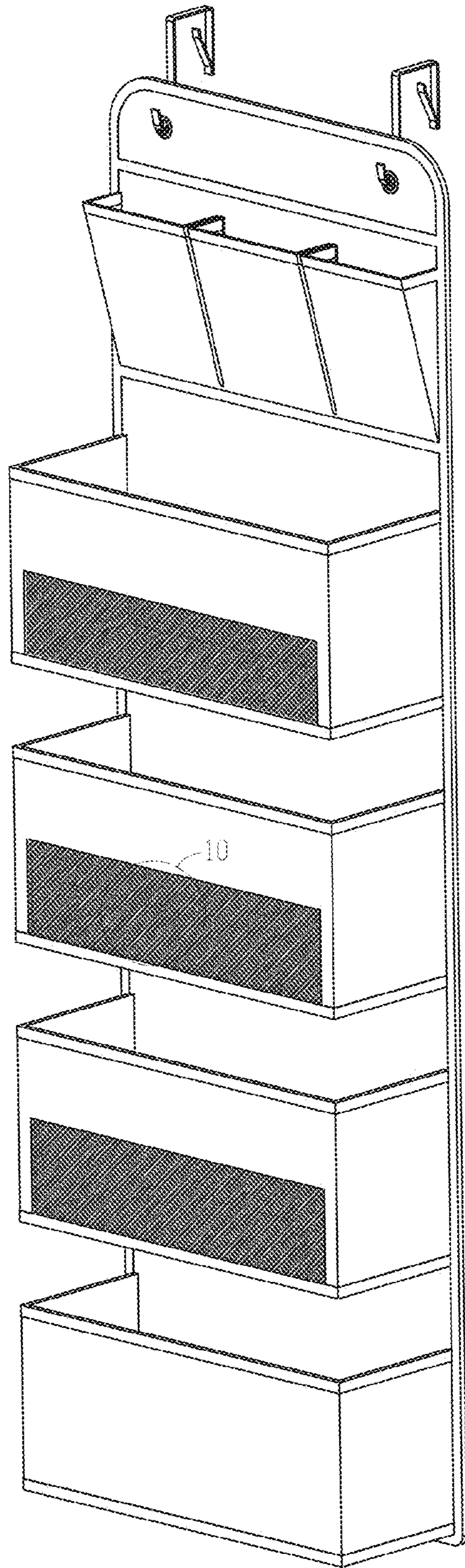


FIG. 7

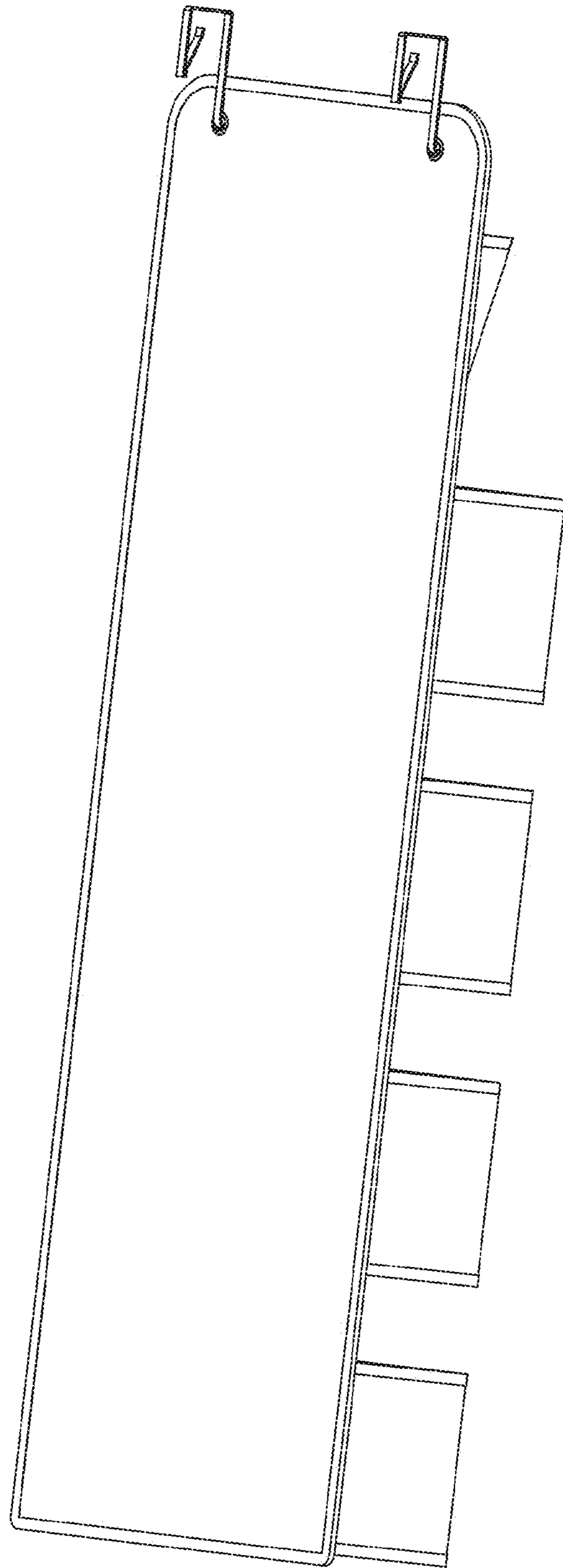


FIG. 8

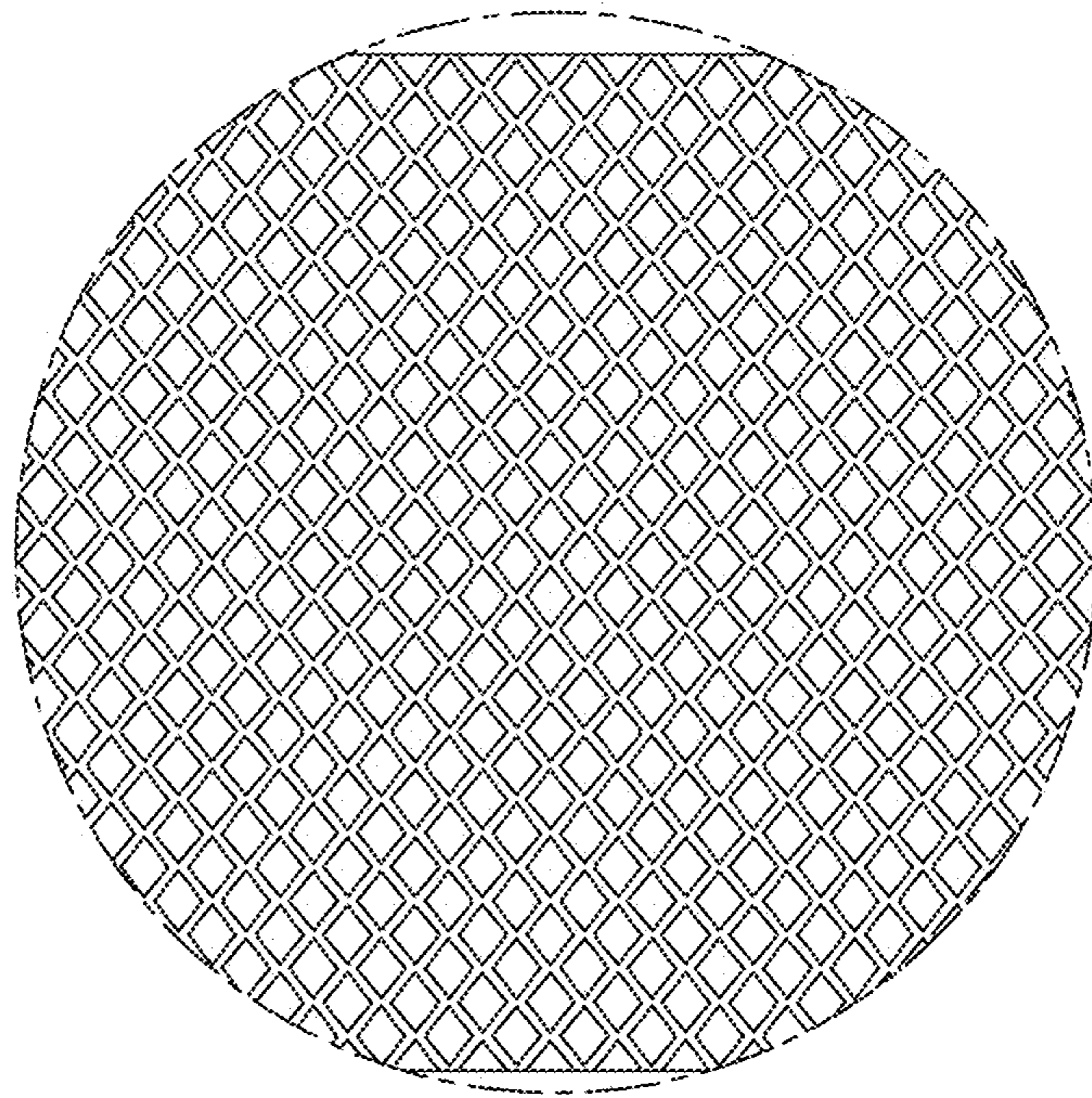


FIG. 9

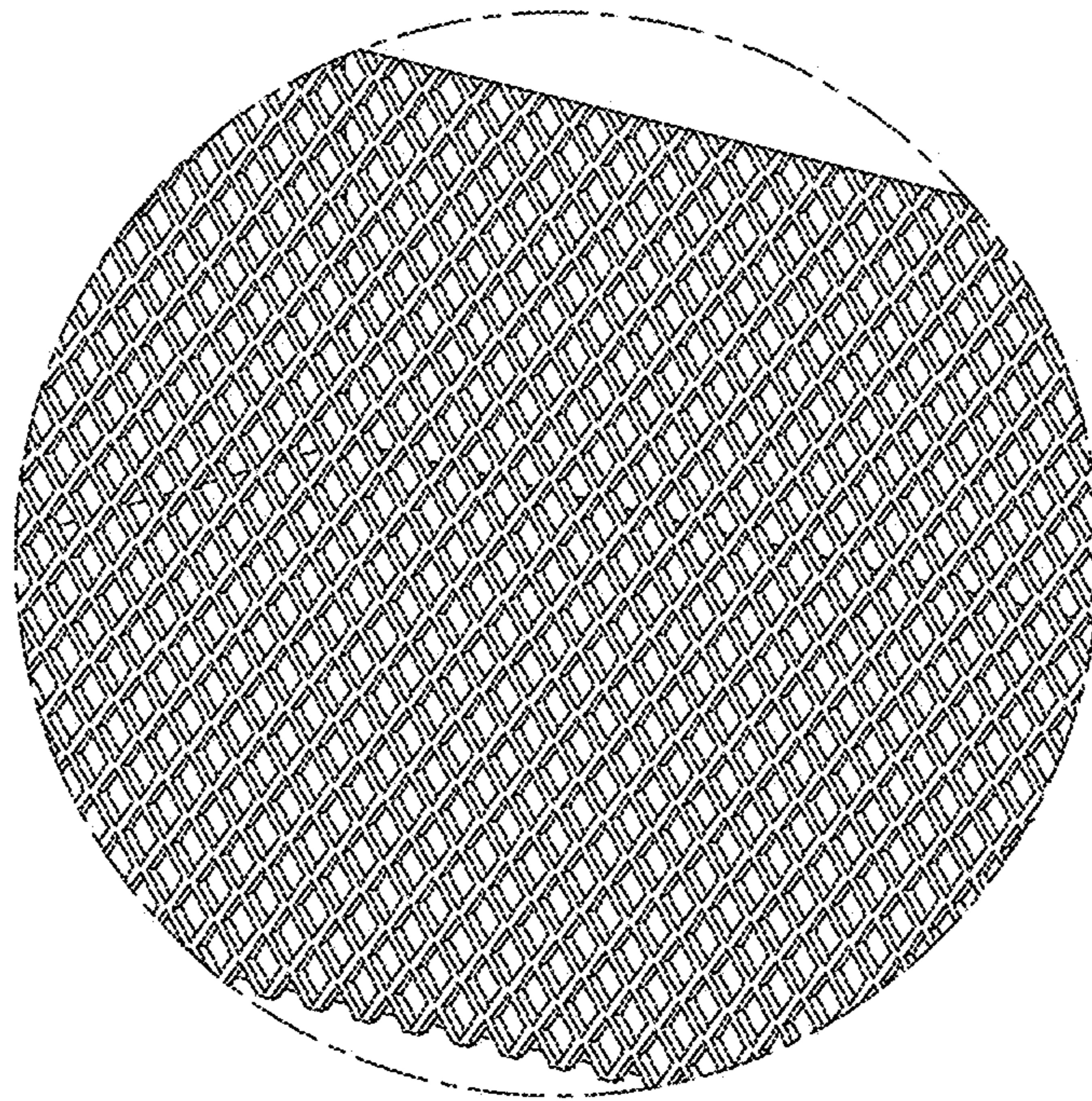


FIG. 10