



US00D987316S

(12) **United States Design Patent**
Feng

(10) **Patent No.:** **US D987,316 S**

(45) **Date of Patent:** **** May 30, 2023**

(54) **SWIVEL CHAIR**

(71) Applicant: **Hangzhou Points And Lines Technology Co., Ltd.**, Hangzhou (CN)

(72) Inventor: **Xiaowei Feng**, Hangzhou (CN)

(73) Assignee: **Hangzhou Points And Lines Technology Co., Ltd.**, Hangzhou (CN)

(**) Term: **15 Years**

(21) Appl. No.: **29/744,183**

(22) Filed: **Jul. 28, 2020**

(30) **Foreign Application Priority Data**

Jun. 21, 2020 (CN) 202030321218.3

(51) **LOC (14) Cl.** **06-01**

(52) **U.S. Cl.**
USPC **D6/366**

(58) **Field of Classification Search**
USPC D6/334-336, 364, 365, 366, 367, 374,
D6/379, 716, 716.1, 716.2, 716.3, 716.4
CPC A47C 7/004; A47C 7/006; A47C 7/18;
A47C 7/24; A47C 7/40; A47C 7/46;
A47C 7/462; A47C 7/54; A47C 7/541
See application file for complete search history.

(56) **References Cited**

U.S. PATENT DOCUMENTS

D548,992 S * 8/2007 Koepke D6/366
D558,994 S * 1/2008 Machael D6/366

D585,205 S * 1/2009 Wen D6/366
D654,711 S * 2/2012 Fujita D6/366
D679,107 S * 4/2013 Darrow D6/366
D724,878 S * 3/2015 Tsai D6/716.4
D915,092 S * 4/2021 Tong D6/366

* cited by examiner

Primary Examiner — Mimosa De

(74) *Attorney, Agent, or Firm* — Bayramoglu Law Offices LLC

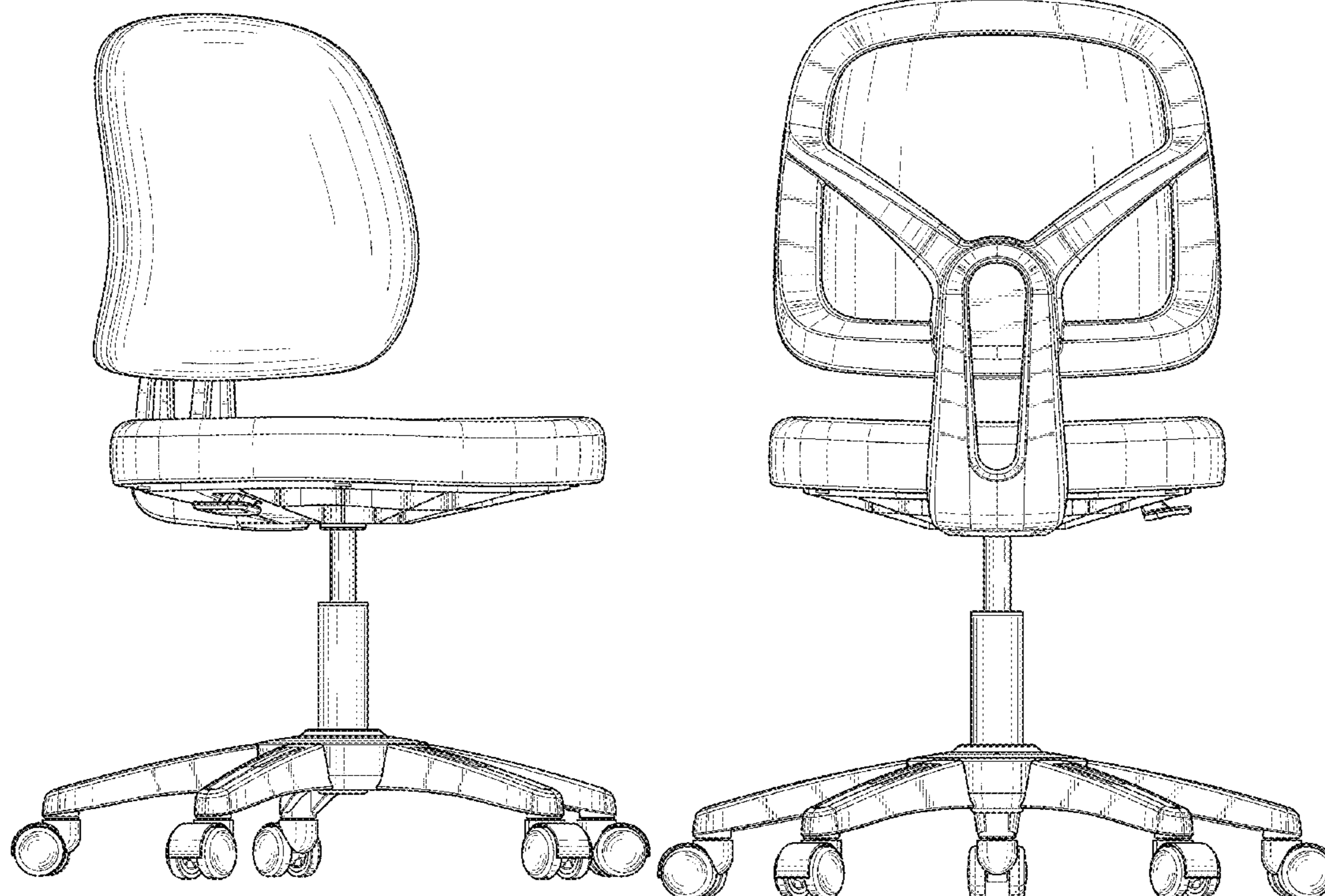
(57) **CLAIM**

The ornamental design for a swivel chair, as shown and described.

DESCRIPTION

FIG. 1 is a perspective view of a swivel chair showing my new design;
FIG. 2 is a front view thereof;
FIG. 3 is a rear view thereof;
FIG. 4 is a right side view thereof;
FIG. 5 is a left side view thereof;
FIG. 6 is a top view thereof; and,
FIG. 7 is a bottom view thereof.
The broken lines depict portions of the swivel chair that form no part of the claimed design.

1 Claim, 7 Drawing Sheets



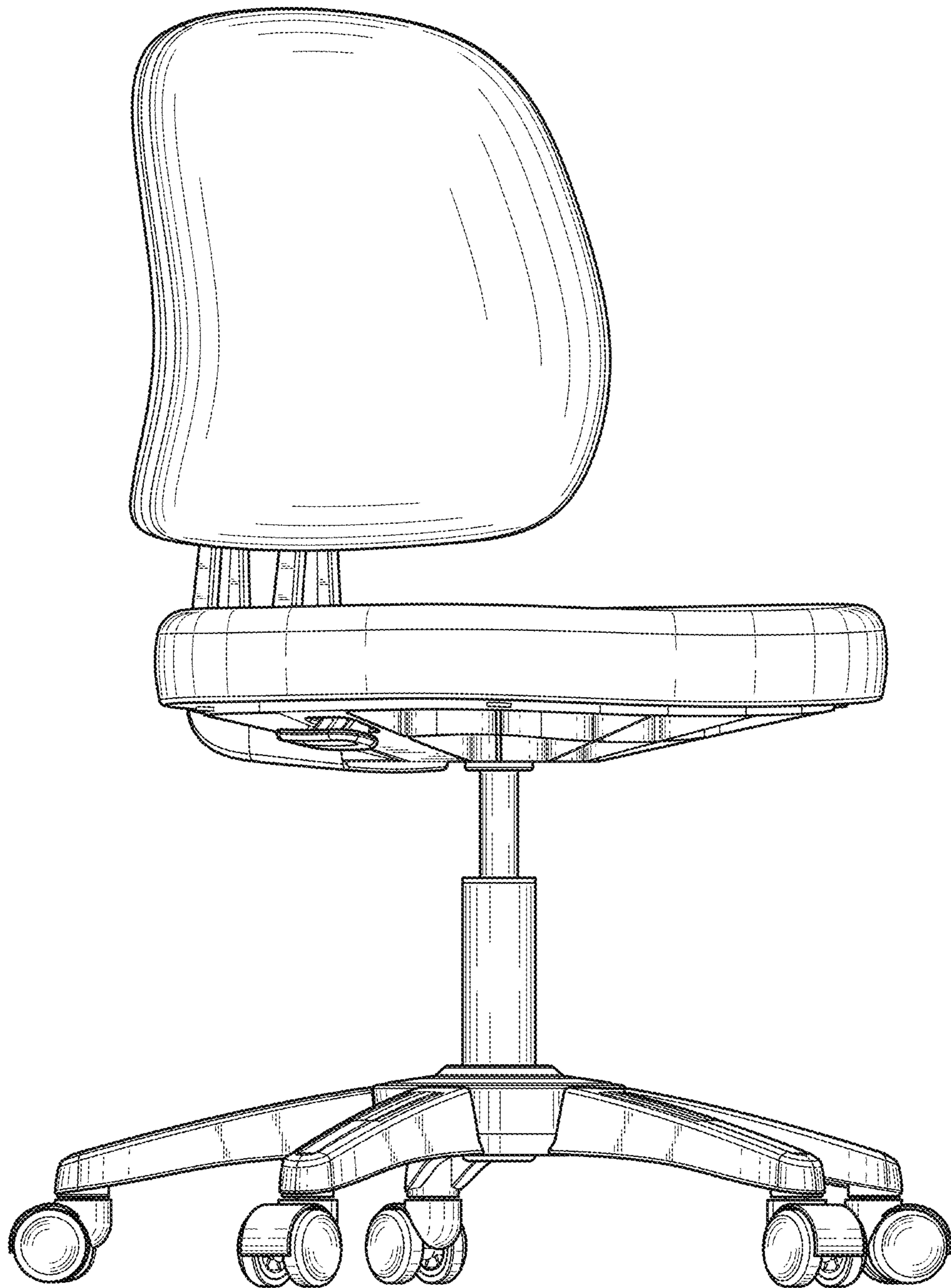


Fig. 1

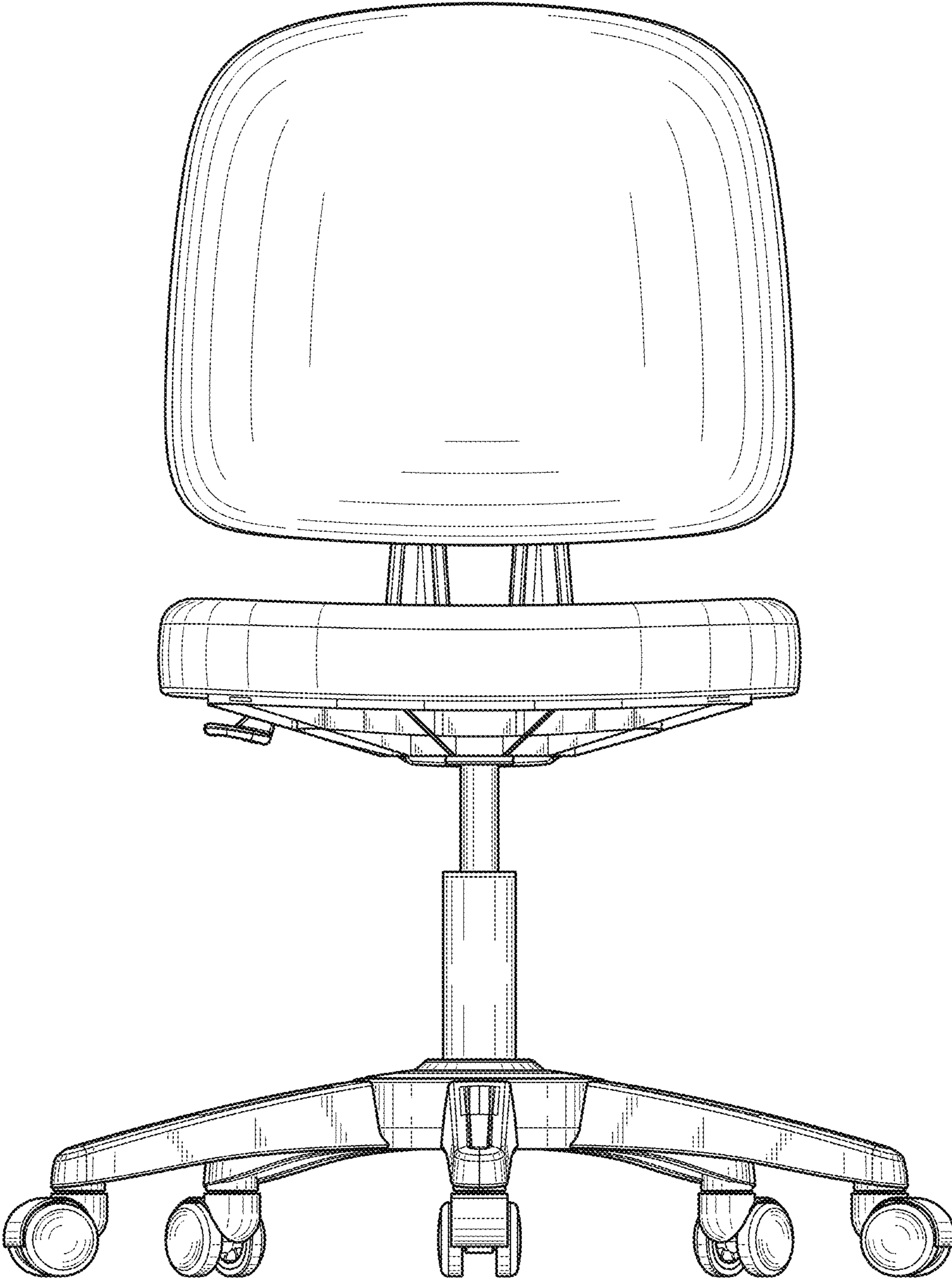


Fig. 2

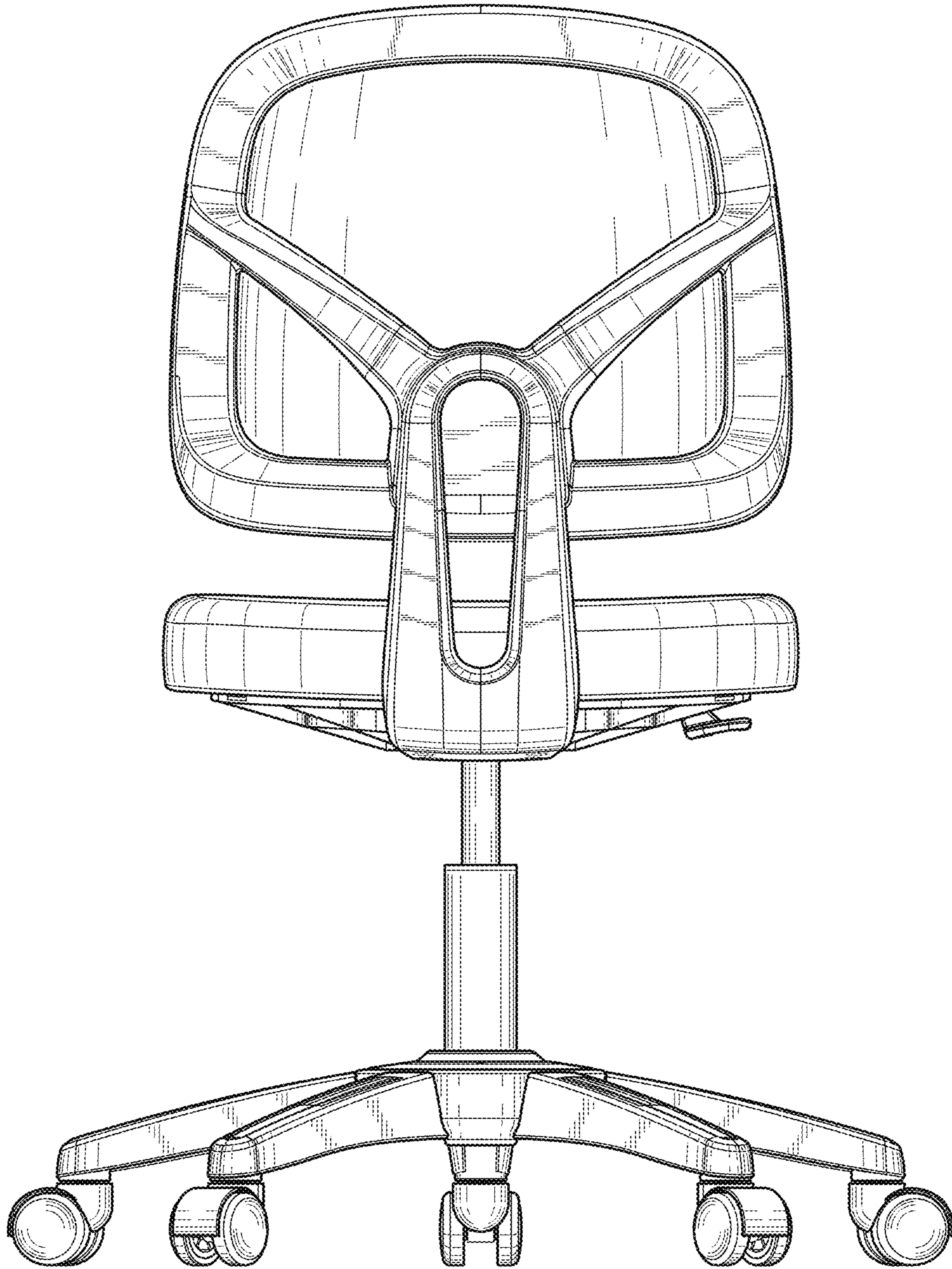


Fig. 3

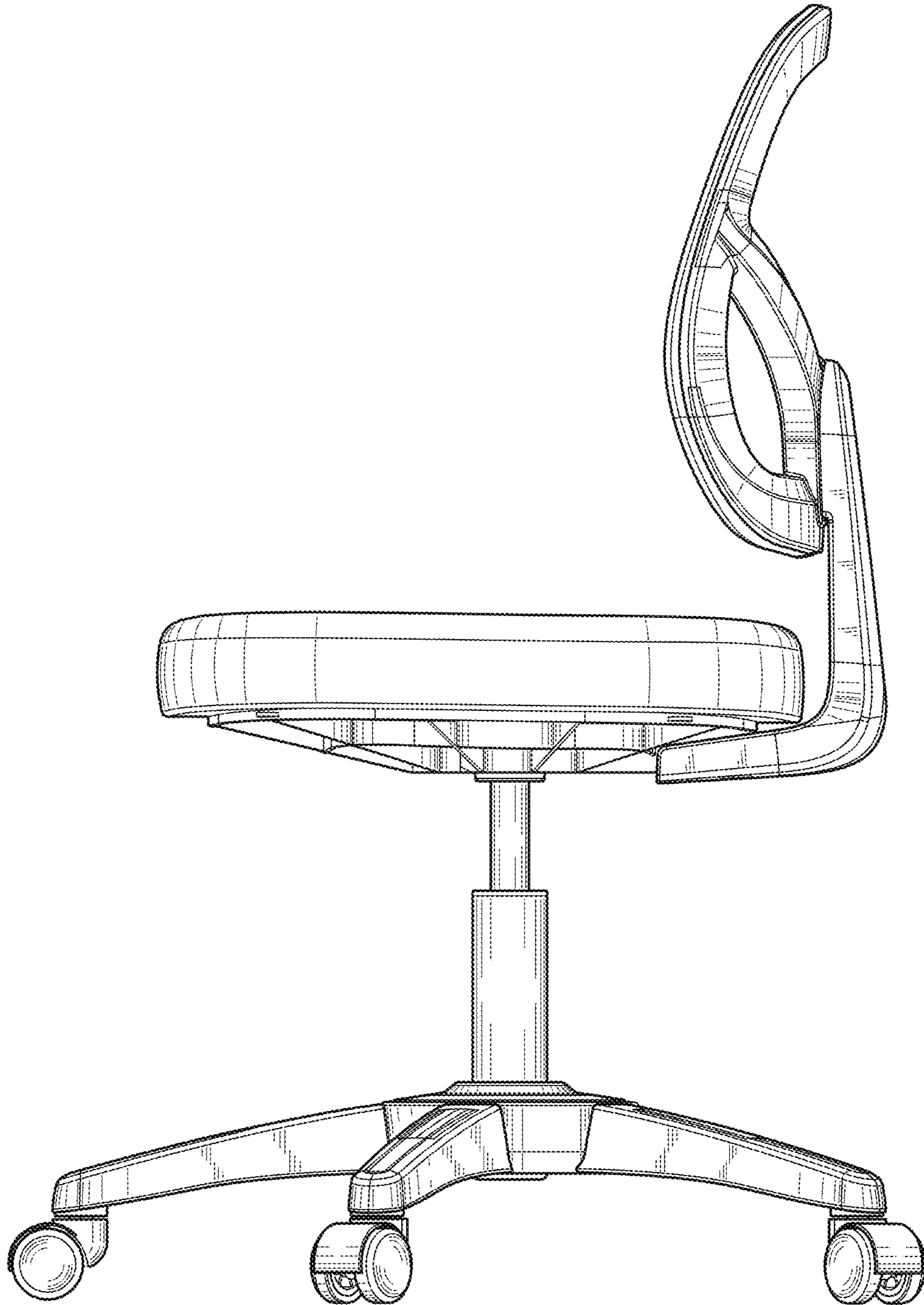


Fig. 4

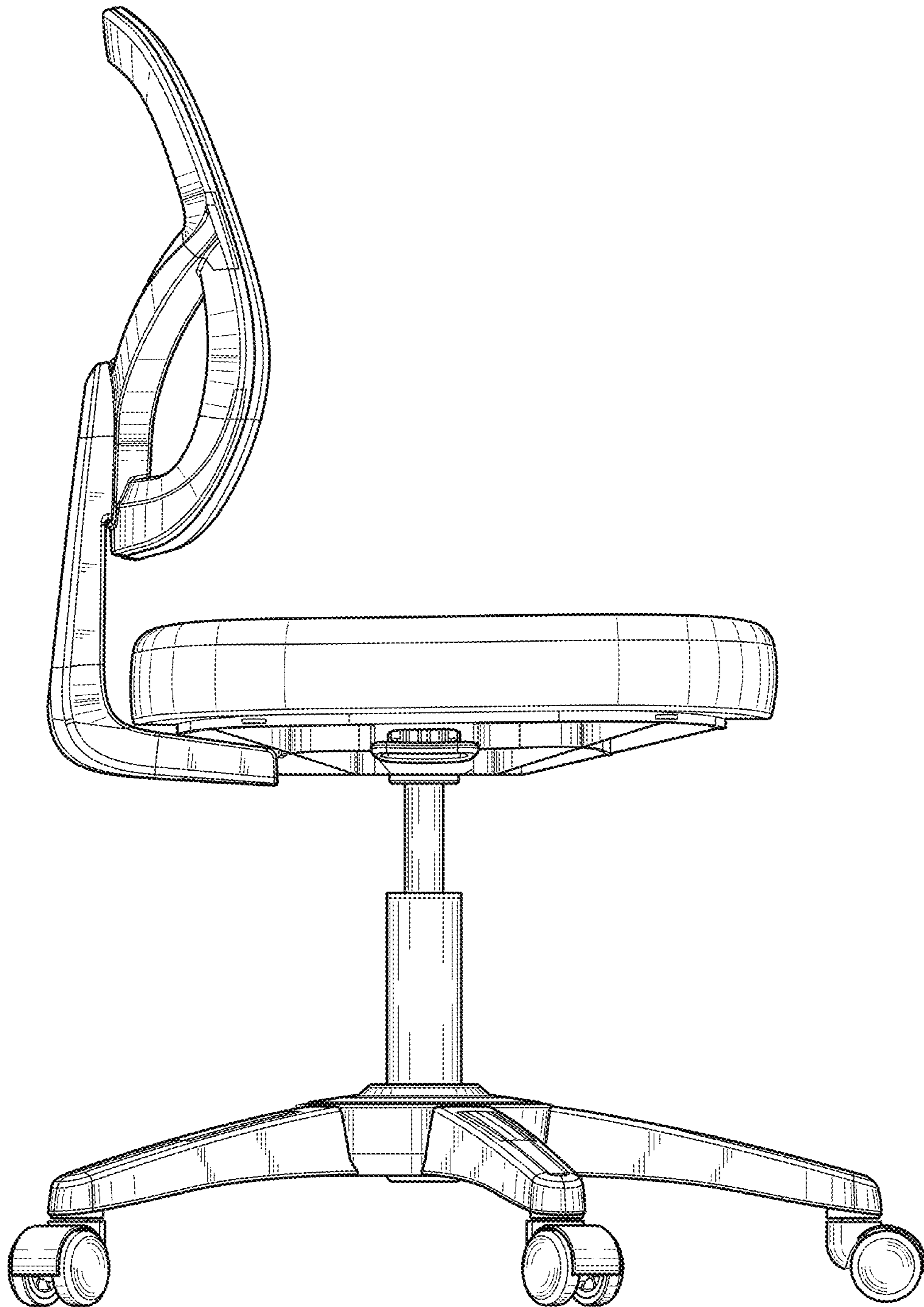


Fig. 5

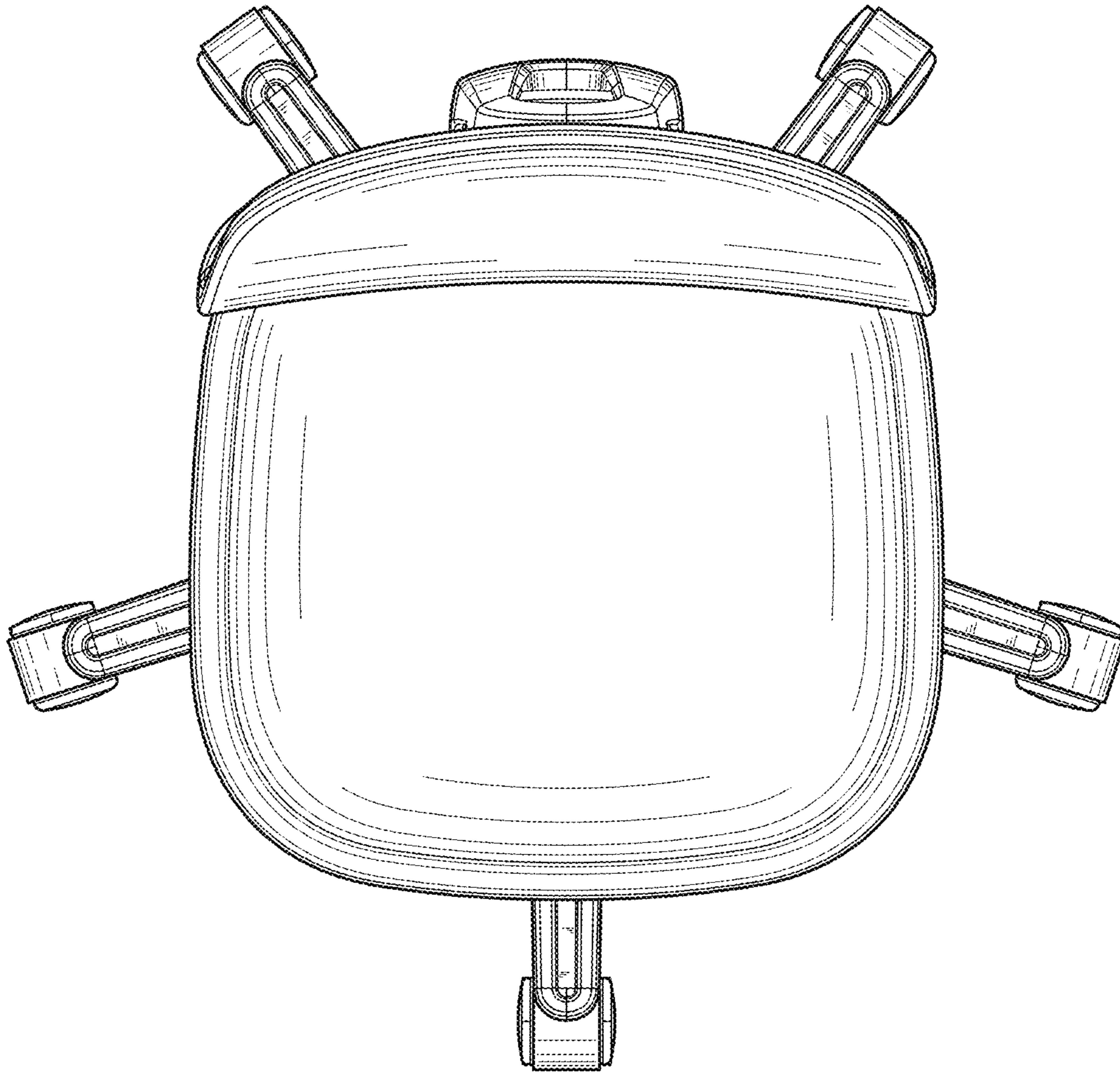


Fig. 6

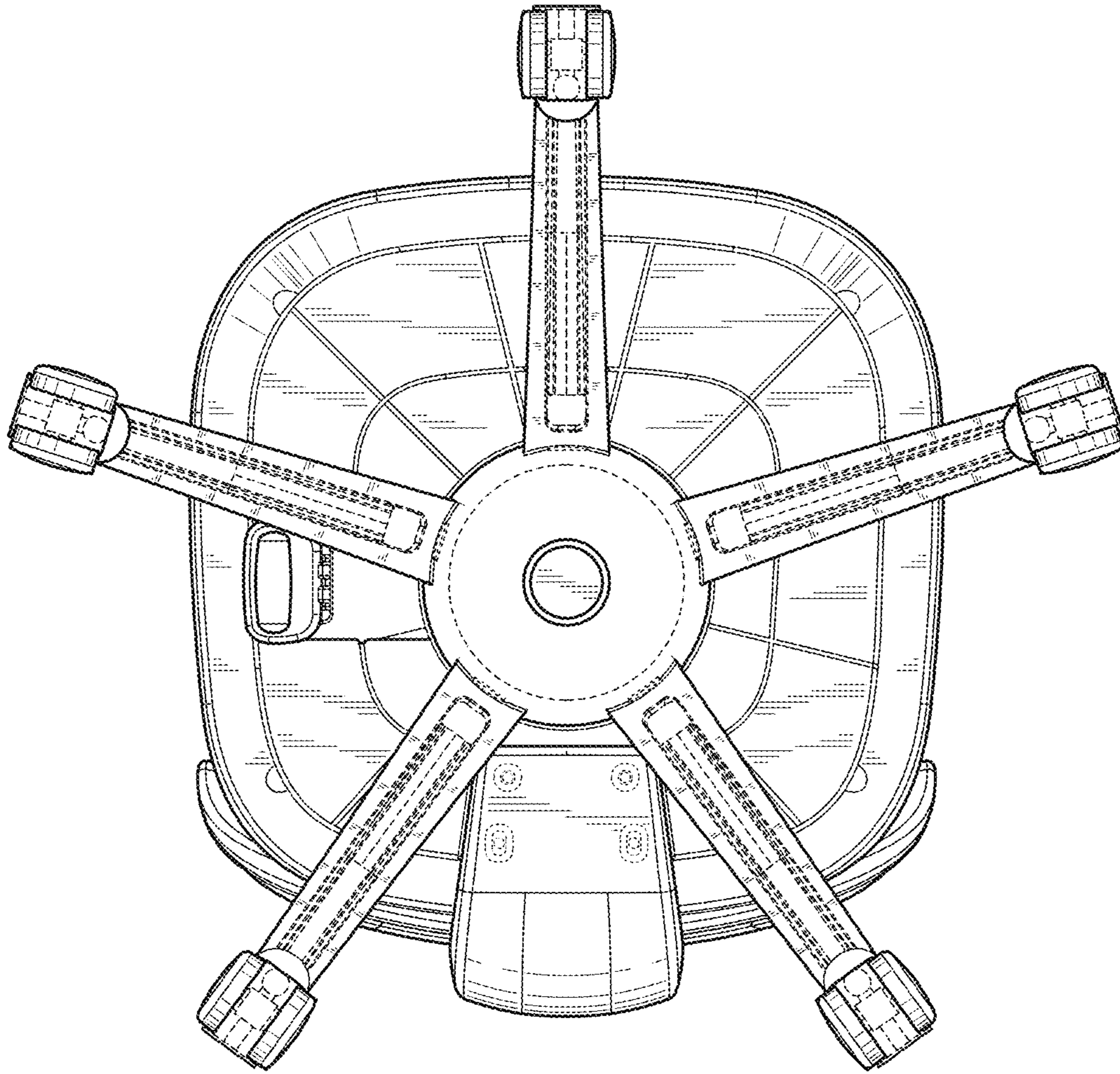


Fig. 7