



US00D987314S

(12) **United States Design Patent** (10) **Patent No.:** **US D987,314 S**  
**Maat et al.** (45) **Date of Patent:** **\*\* May 30, 2023**

(54) **CHAIR**  
(71) Applicant: **Audwell LLC**, Holland, MI (US)  
(72) Inventors: **Lauren Maat**, Holland, MI (US);  
**Timothy Stoepker**, Grand Rapids, MI (US); **Sarah Gesink**, Byron Center, MI (US)

(\*\*) Term: **15 Years**

(21) Appl. No.: **29/789,657**

(22) Filed: **Oct. 11, 2021**

(51) **LOC (14) Cl.** ..... **06-01**

(52) **U.S. Cl.**  
USPC ..... **D6/360**

(58) **Field of Classification Search**  
USPC ..... D6/334, 335, 350, 360, 365, 366, 367,  
D6/368, 369, 374, 375, 376, 379, 380,  
D6/716, 716.4  
CPC .. A47C 3/04; A47C 7/029; A47C 7/40; A47C  
9/007; A47C 3/12; A47C 3/18; A47C  
3/20; A47C 5/02; A47C 5/12; A47C 7/24;  
A47C 7/46

See application file for complete search history.

(56) **References Cited**

**U.S. PATENT DOCUMENTS**

D86,879 S \* 5/1932 Easterday ..... D6/350  
D173,646 S \* 12/1954 Durko ..... D6/350  
D181,213 S \* 10/1957 Lubberts ..... D6/374  
D190,905 S \* 7/1961 Hamilton ..... D6/350  
D197,061 S \* 12/1963 Silverstein ..... D6/350  
D347,739 S \* 6/1994 Beaulieu ..... D6/360  
D381,828 S \* 8/1997 Kemnitzer ..... D6/379  
D441,209 S \* 5/2001 Hagstrom ..... D6/360  
D527,931 S \* 9/2006 Kita ..... D6/364  
D540,048 S \* 4/2007 Llusca ..... D6/360  
D677,480 S \* 3/2013 Starck ..... D6/360

D689,292 S \* 9/2013 Kittilsen ..... D6/360  
D708,448 S \* 7/2014 Hernandez ..... D6/360  
D800,466 S \* 10/2017 Ono ..... D6/360  
D833,160 S \* 11/2018 Wanders ..... D6/339  
D833,766 S \* 11/2018 Davis ..... D6/360  
D853,739 S \* 7/2019 Kaimer ..... D6/333  
D961,948 S \* 8/2022 Lee ..... D6/350

**OTHER PUBLICATIONS**

The Goldie by Audwell, first available: Unknown [online], [site visited Feb. 6, 2023], Internet URL: <https://audwell.com/products/the-goldie-chair> (Year: 2023).\*

\* cited by examiner

*Primary Examiner* — Mary Ann Calabrese  
*Assistant Examiner* — Hillary Catherine Shepard  
(74) *Attorney, Agent, or Firm* — Oppenhuizen Law PLC;  
David L. Oppenhuizen

(57) **CLAIM**

The ornamental design for a chair, as shown and described.

**DESCRIPTION**

FIG. 1 is a front perspective view of a chair showing the new design;

FIG. 2 is a left side view thereof;

FIG. 3 is a right side view;

FIG. 4 is a front view;

FIG. 5 is a rear view;

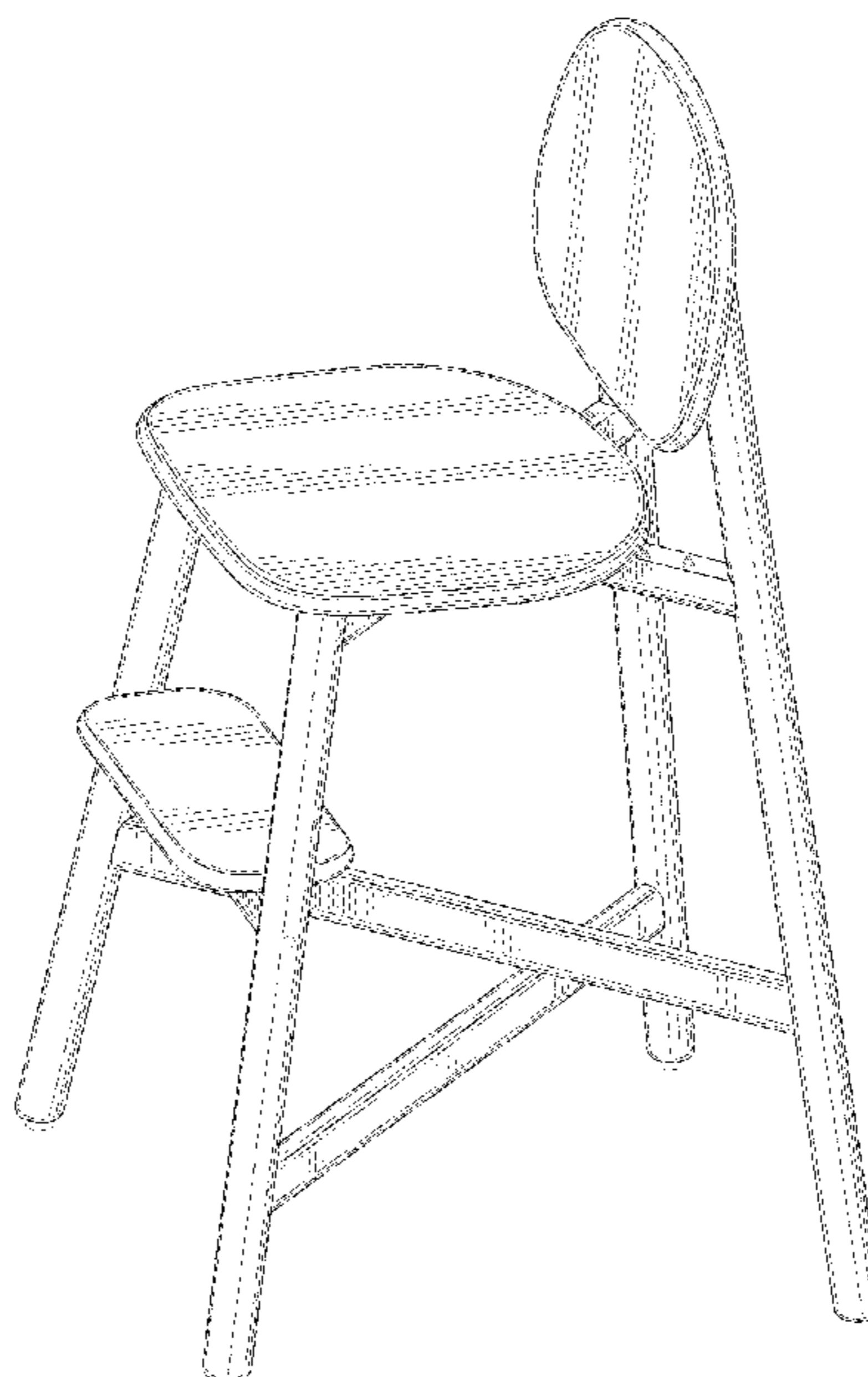
FIG. 6 is a top view; and,

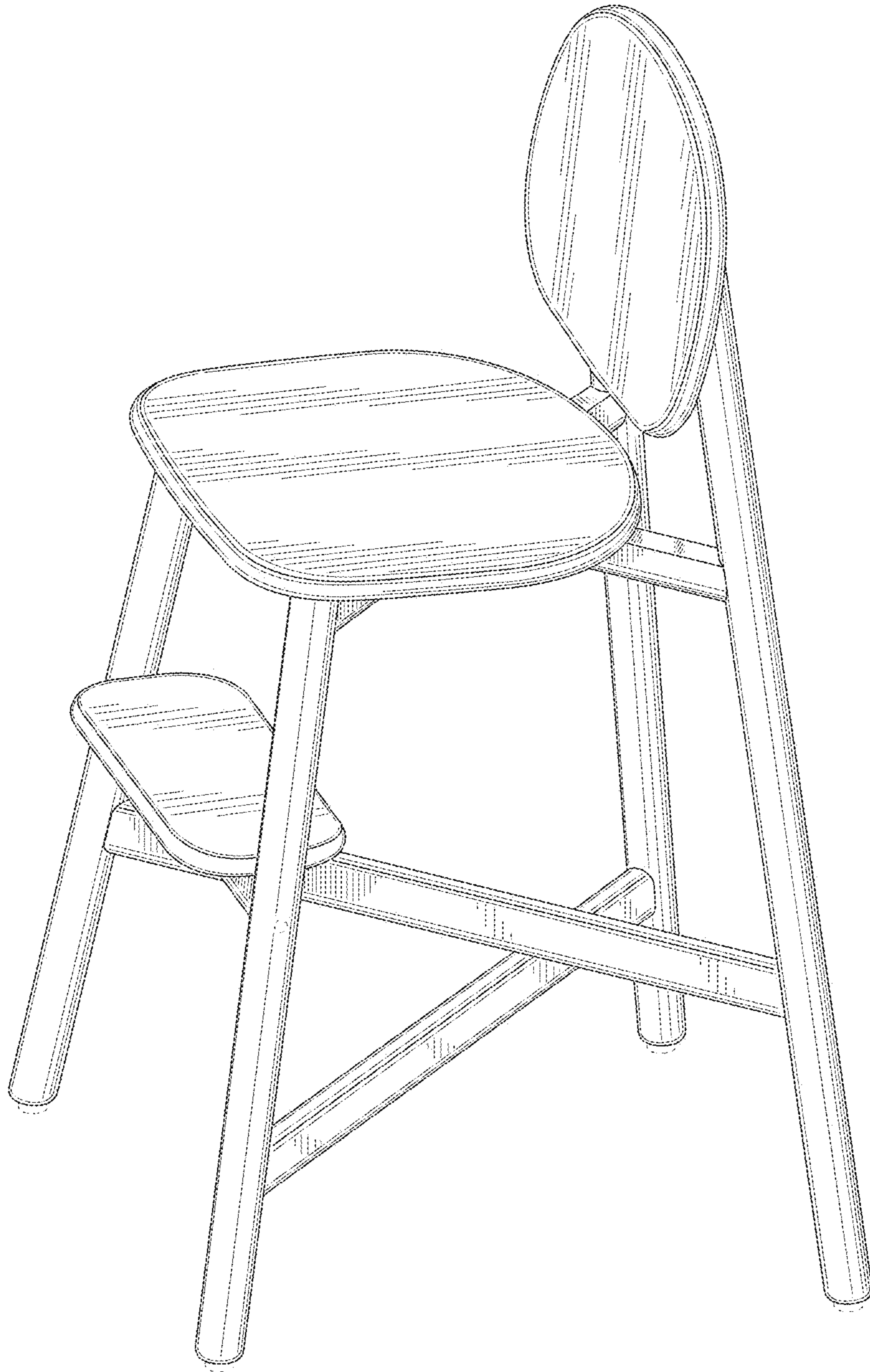
FIG. 7 is a bottom view.

The broken lines shown in the drawings are for the purpose of illustrating portions of the article and form no part of the claimed design.

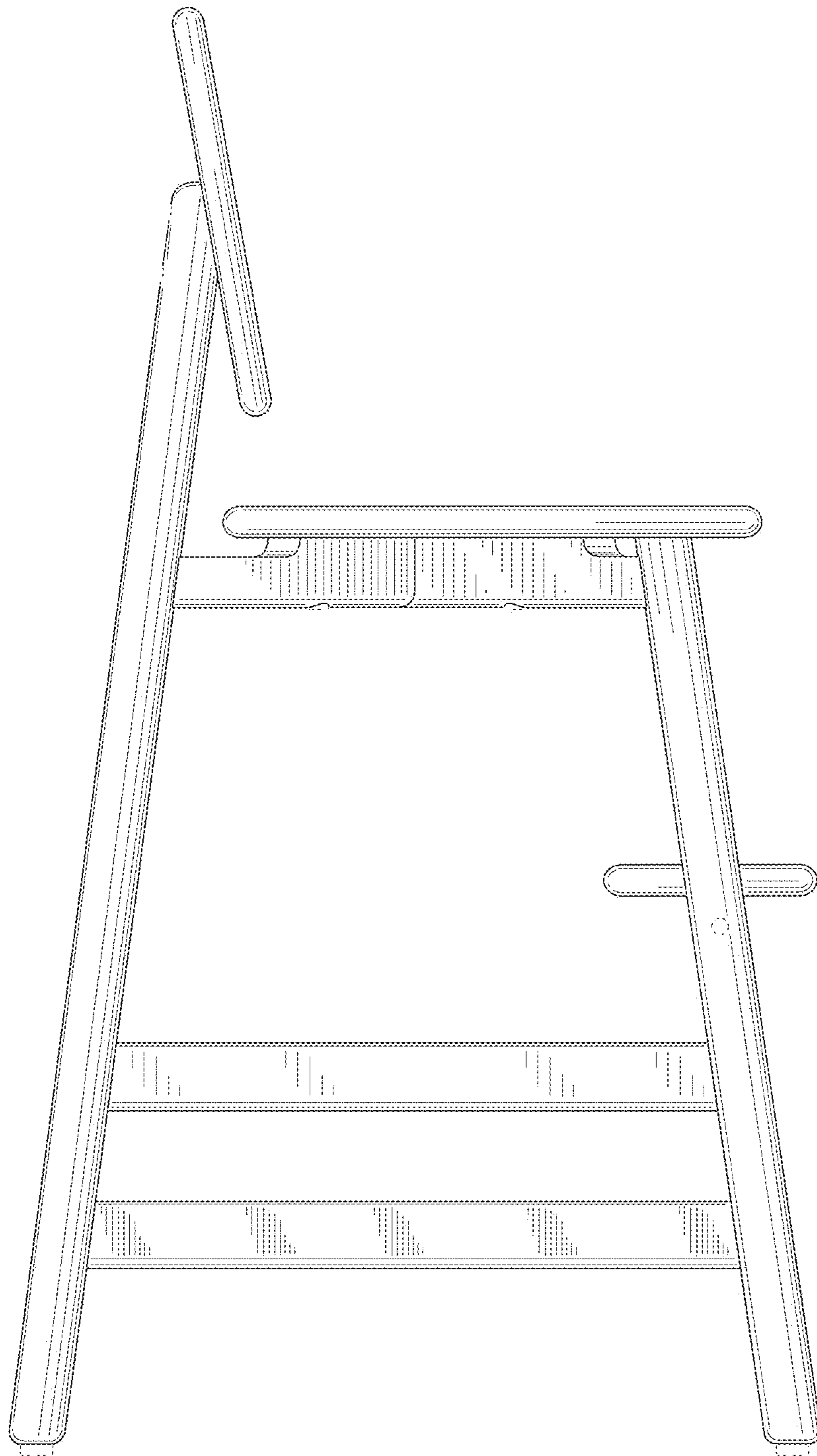
The surface shading is intended to depict the contour and the surface of the claimed design.

**1 Claim, 7 Drawing Sheets**

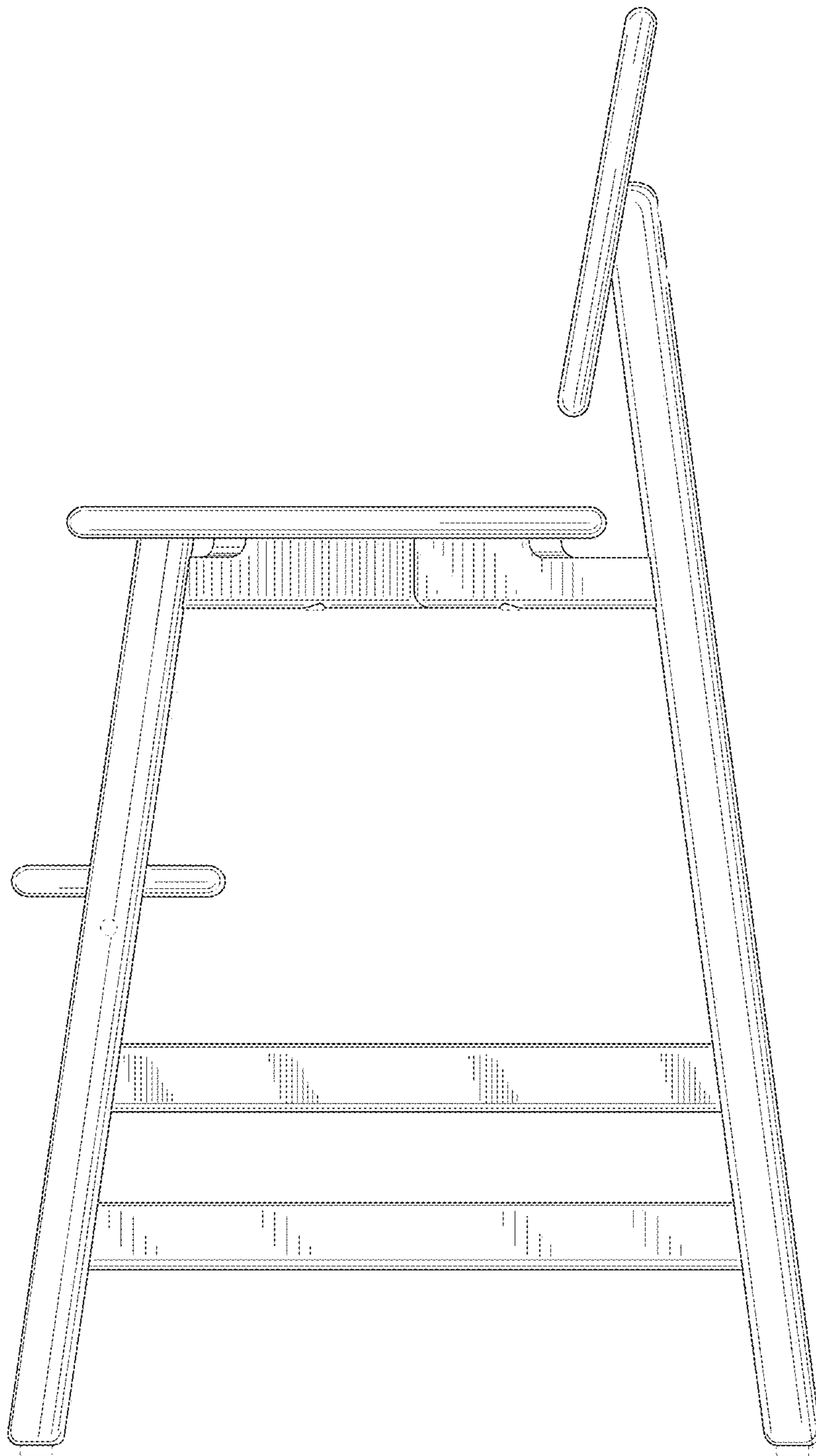




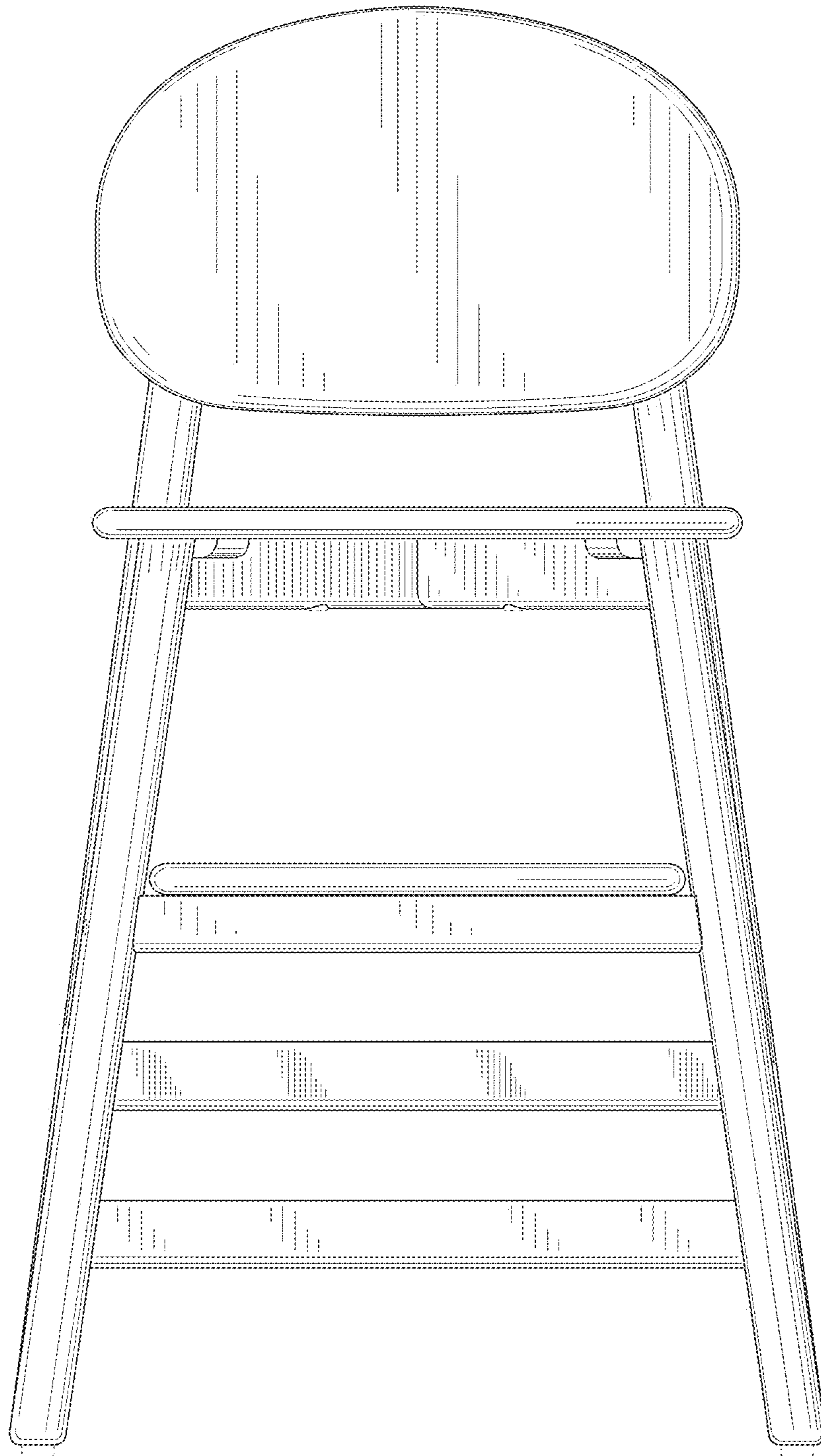
*Fig. 1*



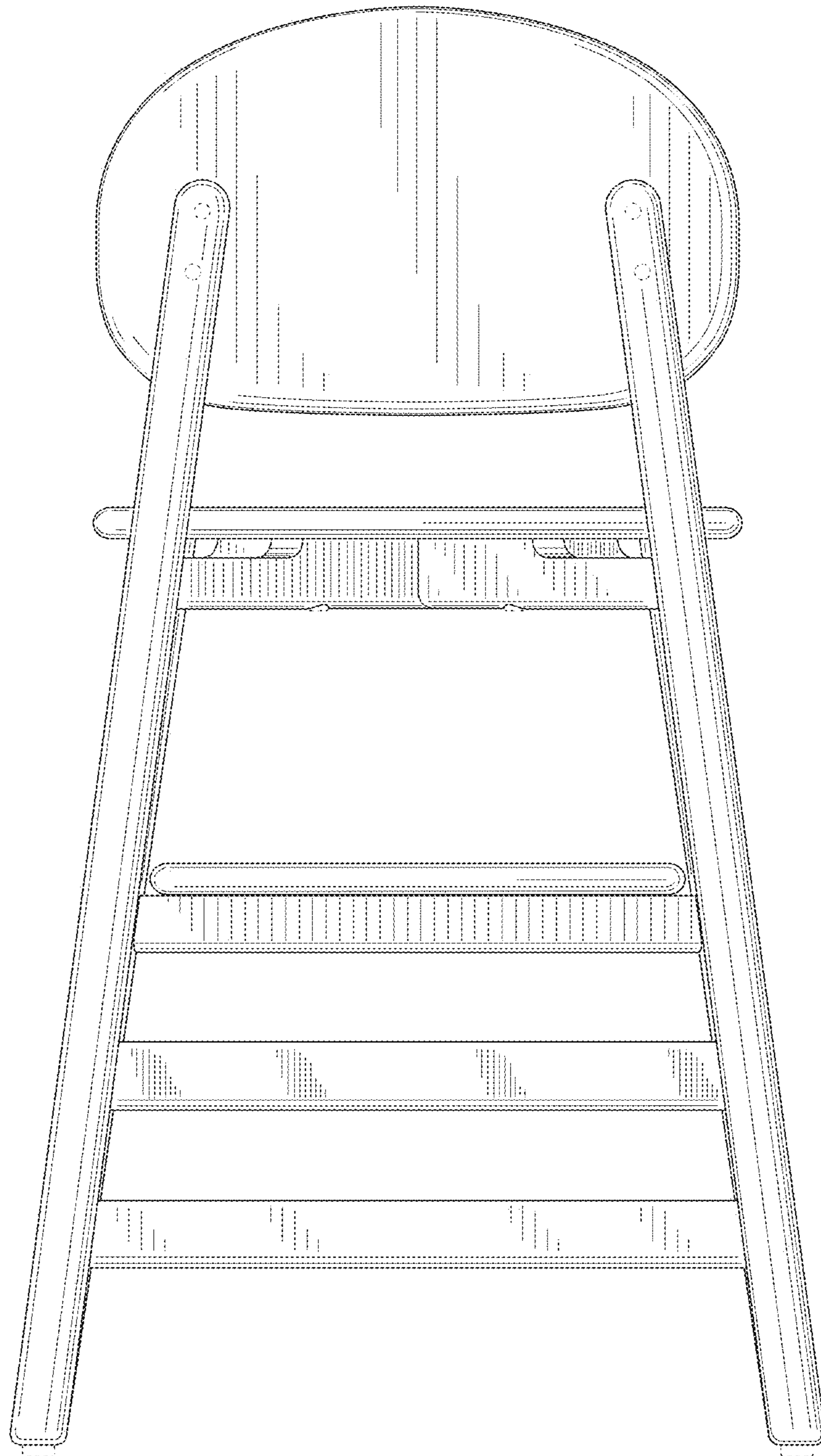
*Fig. 2*



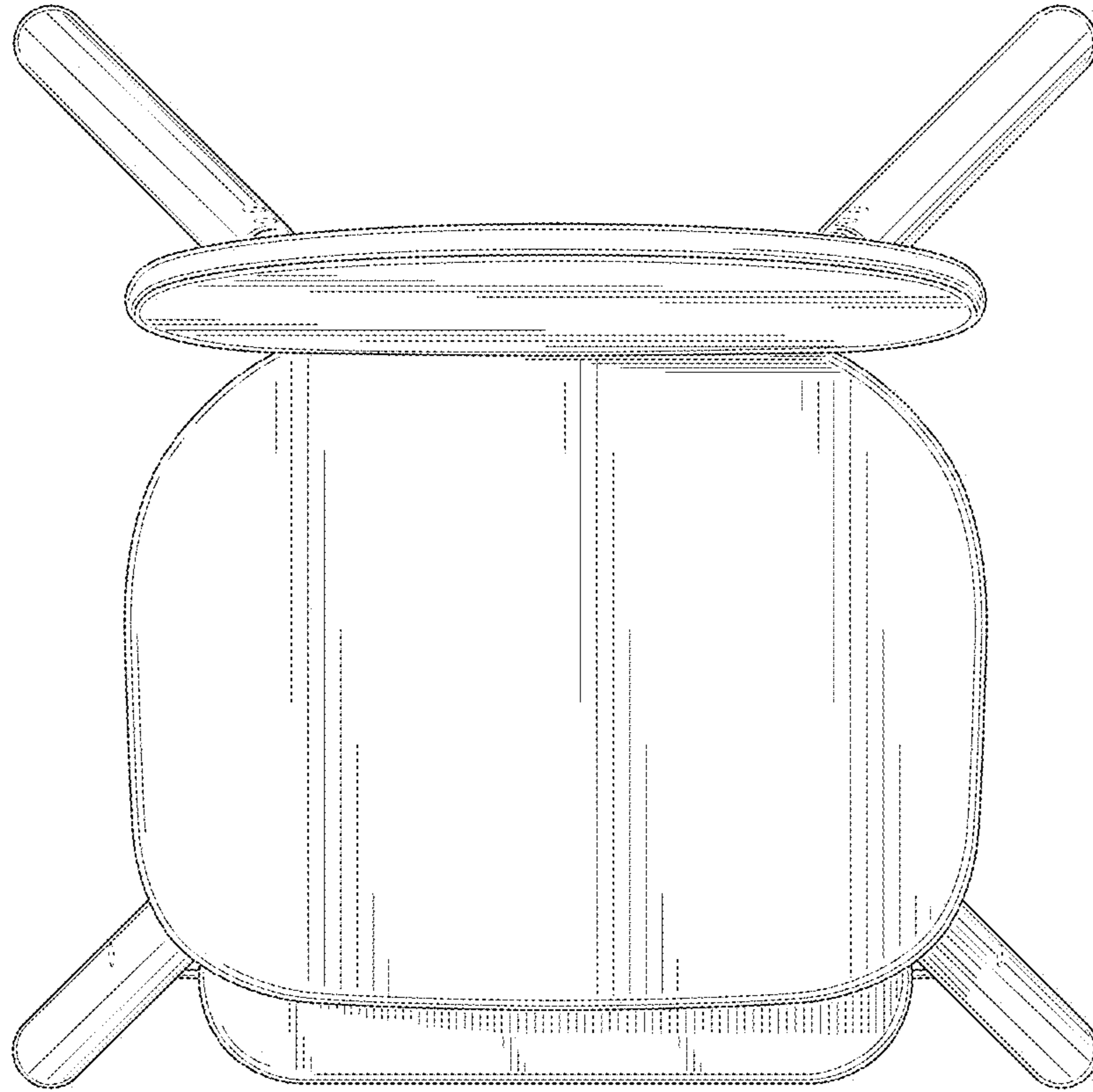
*Fig. 3*



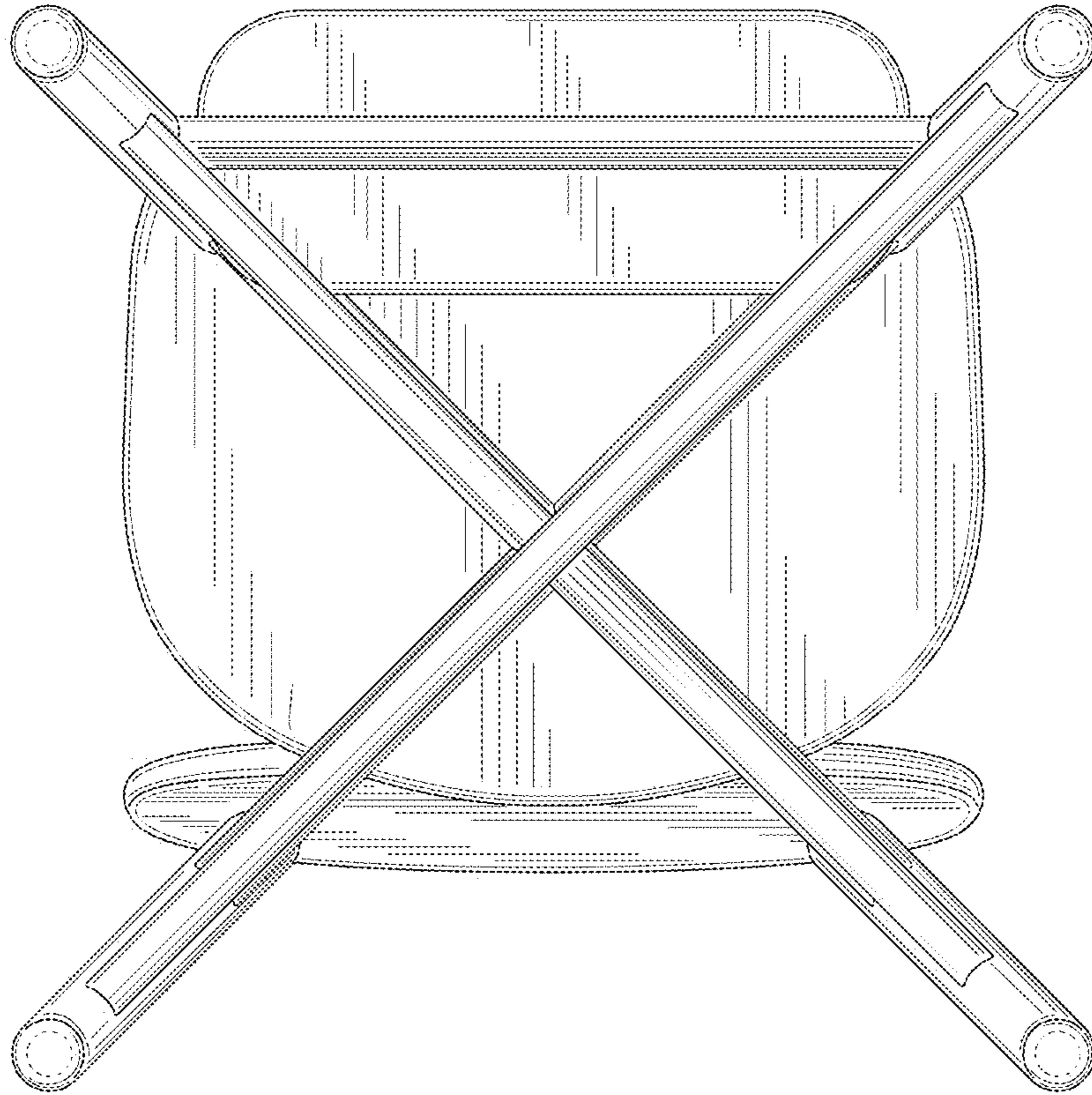
*Fig. 4*



*Fig. 5*



*Fig. 6*



*Fig. 7*