



US00D987312S

(12) **United States Design Patent** (10) **Patent No.:** **US D987,312 S**
Li (45) **Date of Patent:** **** May 30, 2023**

(54) **SOFA WITH FOLDABLE SIDE TABLE**

FOREIGN PATENT DOCUMENTS

(71) Applicant: **SHENZHEN HONGMU IMPORT & EXPORT TRADE CO., LTD.**,
Shenzhen (CN)

CN 213188866 U * 5/2021
CN 213487970 U * 6/2021

* cited by examiner

(72) Inventor: **Chengjin Li**, Shenzhen (CN)

Primary Examiner — Deanna L Pratt

(**) Term: **15 Years**

(57) **CLAIM**

(21) Appl. No.: **29/852,729**

The ornamental design for a sofa with foldable side table, as shown and described.

(22) Filed: **Sep. 9, 2022**

DESCRIPTION

(30) **Foreign Application Priority Data**

May 30, 2022 (CN) 202230324768.X

(51) **LOC (14) Cl.** **06-01**

(52) **U.S. Cl.**
USPC **D6/336**

(58) **Field of Classification Search**
USPC D6/334, 335, 336, 364, 365, 366, 371,
D6/372, 373, 374, 375, 379, 380, 382,
D6/383, 384
See application file for complete search history.

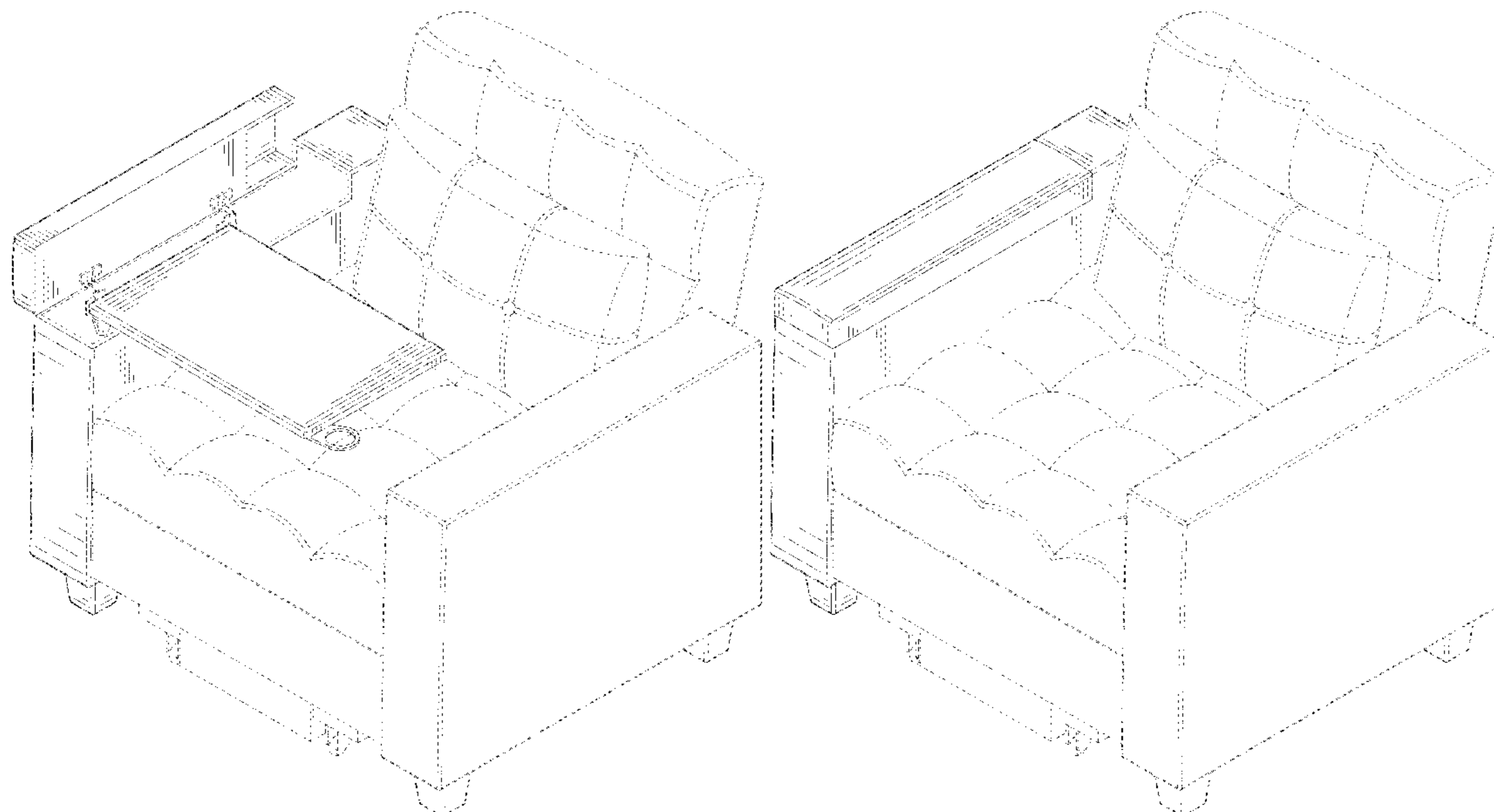
FIG. 1 is a front, right, and top perspective view of a sofa with foldable side table showing my new design;
FIG. 2 is a rear, left, and bottom perspective view thereof;
FIG. 3 is a front elevational view thereof;
FIG. 4 is a rear elevational view thereof;
FIG. 5 is a left side elevational view thereof;
FIG. 6 is a right side elevational view thereof;
FIG. 7 is a top plan view thereof;
FIG. 8 is a bottom plan view thereof;
FIG. 9 is another perspective view of the sofa with foldable side table of FIG. 1, shown in an alternate configuration of use;
FIG. 10 is another perspective view of the sofa with foldable side table of FIG. 1, shown in an alternate configuration of use;
FIG. 11 is another perspective view of the sofa with foldable side table of FIG. 1, shown in an alternate configuration of use; and,
FIG. 12 is another perspective view of the sofa with foldable side table of FIG. 1, shown in an alternate configuration of use.
The dash-dash broken lines in the drawings depict portions of the sofa with foldable side table that form no part of the claimed design.

(56) **References Cited**

U.S. PATENT DOCUMENTS

D140,524 S * 3/1945 Taylor 297/188.14
D260,058 S * 8/1981 Ponzellini D6/336
D448,580 S * 10/2001 Carlson D6/336
D654,708 S * 2/2012 Figueras Mitjans D6/336
D684,779 S * 6/2013 Scott D6/336
D716,576 S 11/2014 Wieland et al.
D771,402 S 11/2016 Woller
D833,188 S * 11/2018 Kershner D6/691.4
D836,351 S * 12/2018 King D6/686
D883,685 S * 5/2020 Carter D6/336
D886,476 S 6/2020 Killinger
D896,559 S * 9/2020 Rottet D6/336

1 Claim, 12 Drawing Sheets



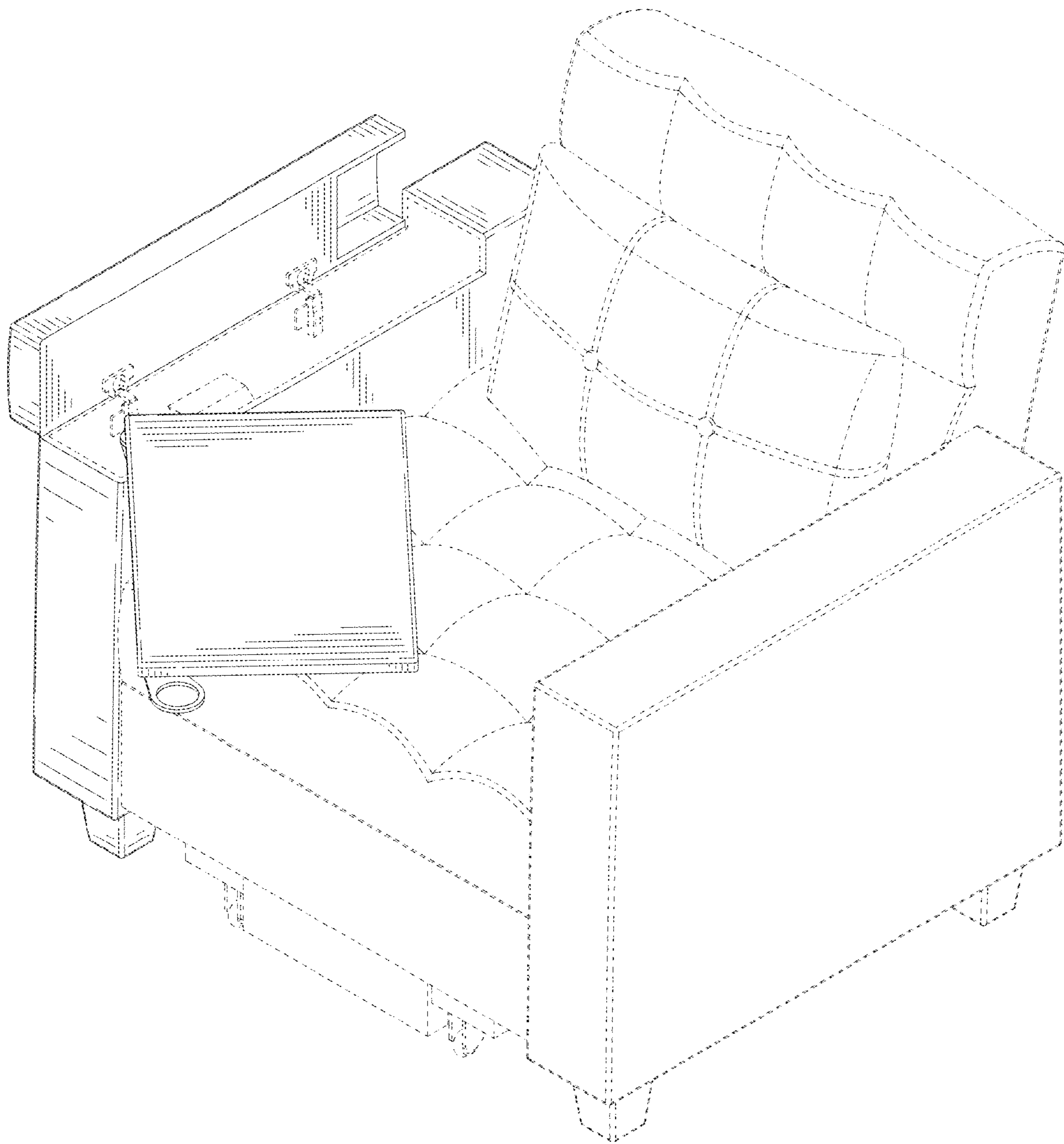


FIG. 1

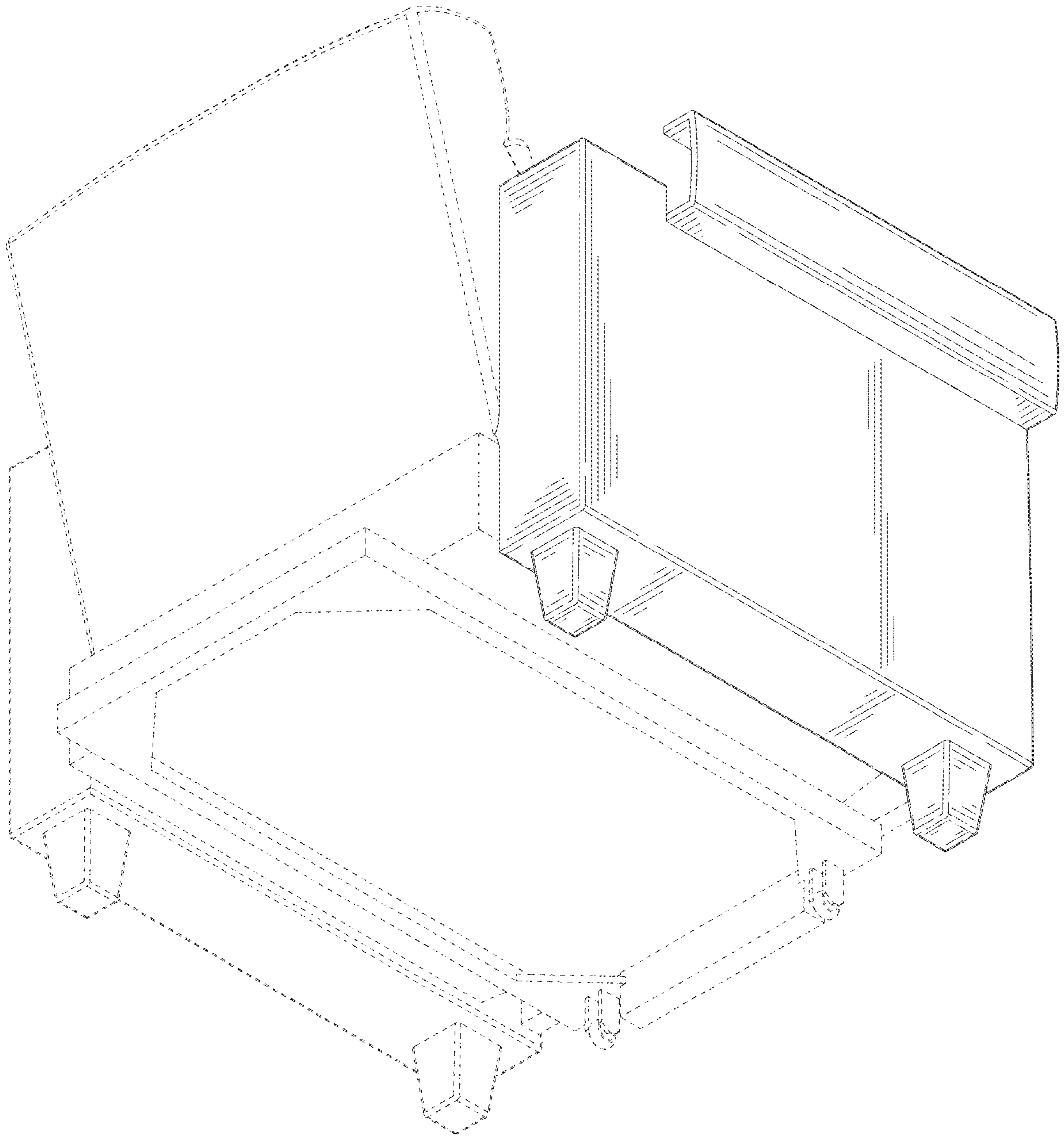


FIG. 2

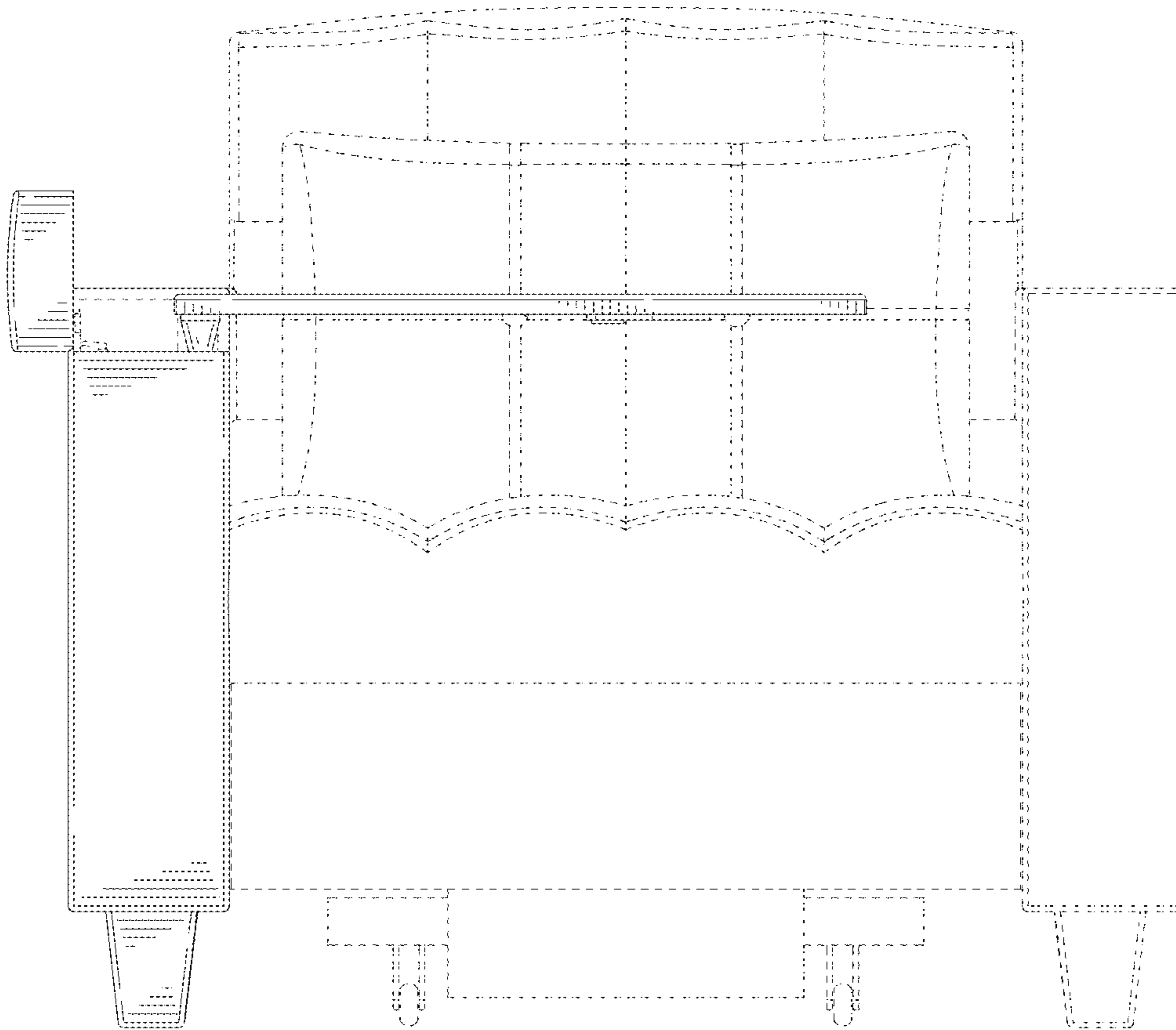


FIG. 3

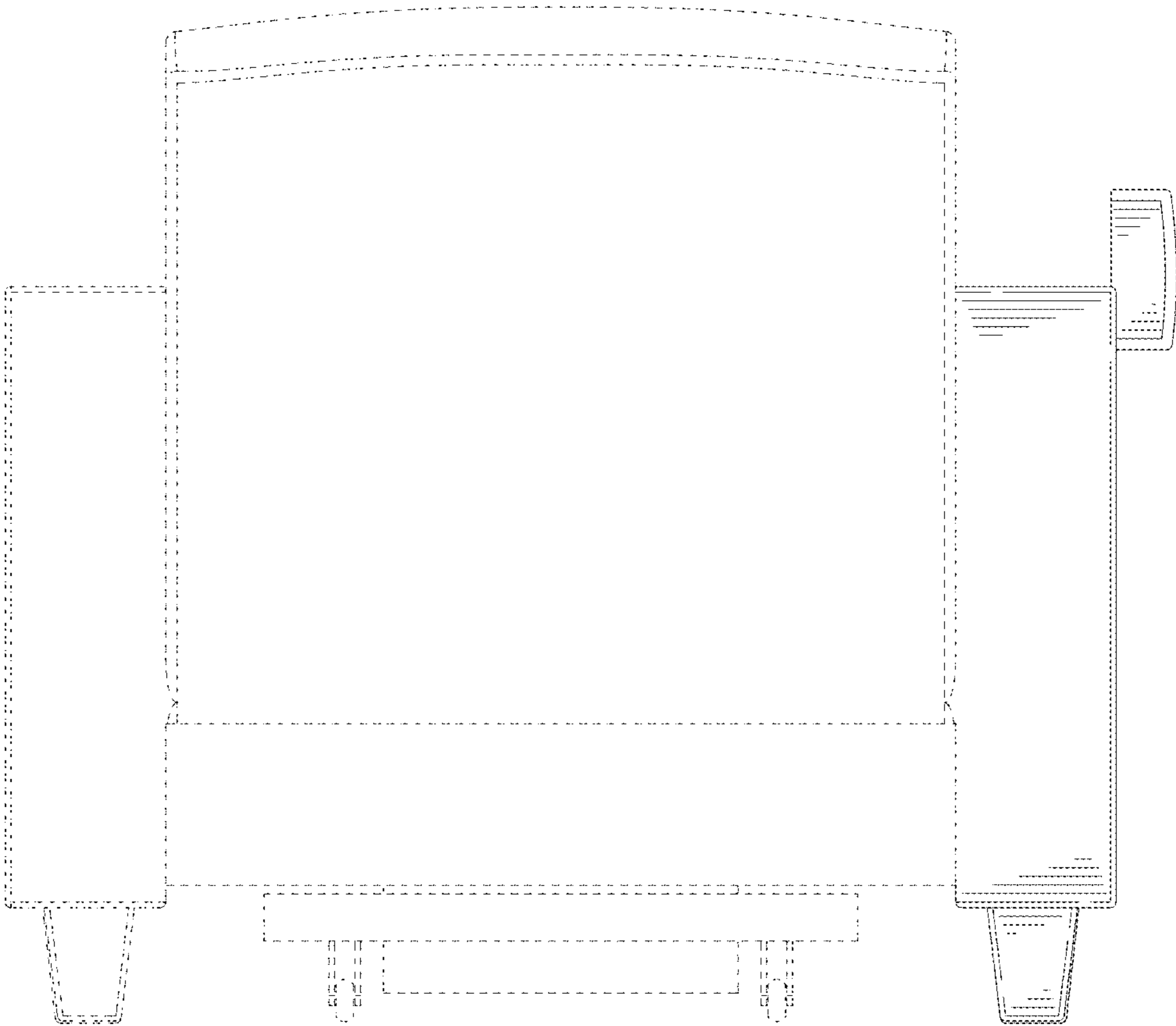


FIG. 4

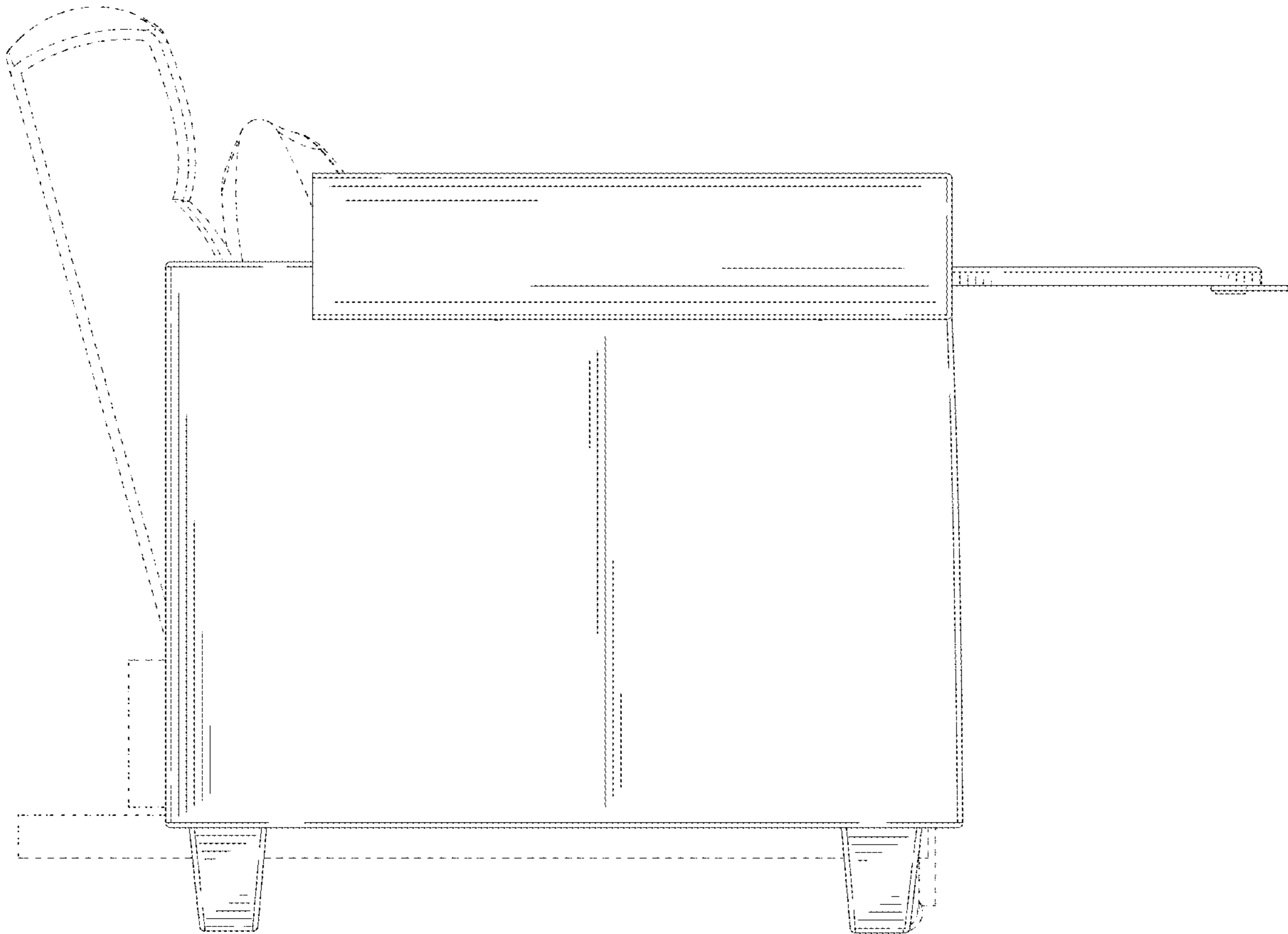


FIG. 5

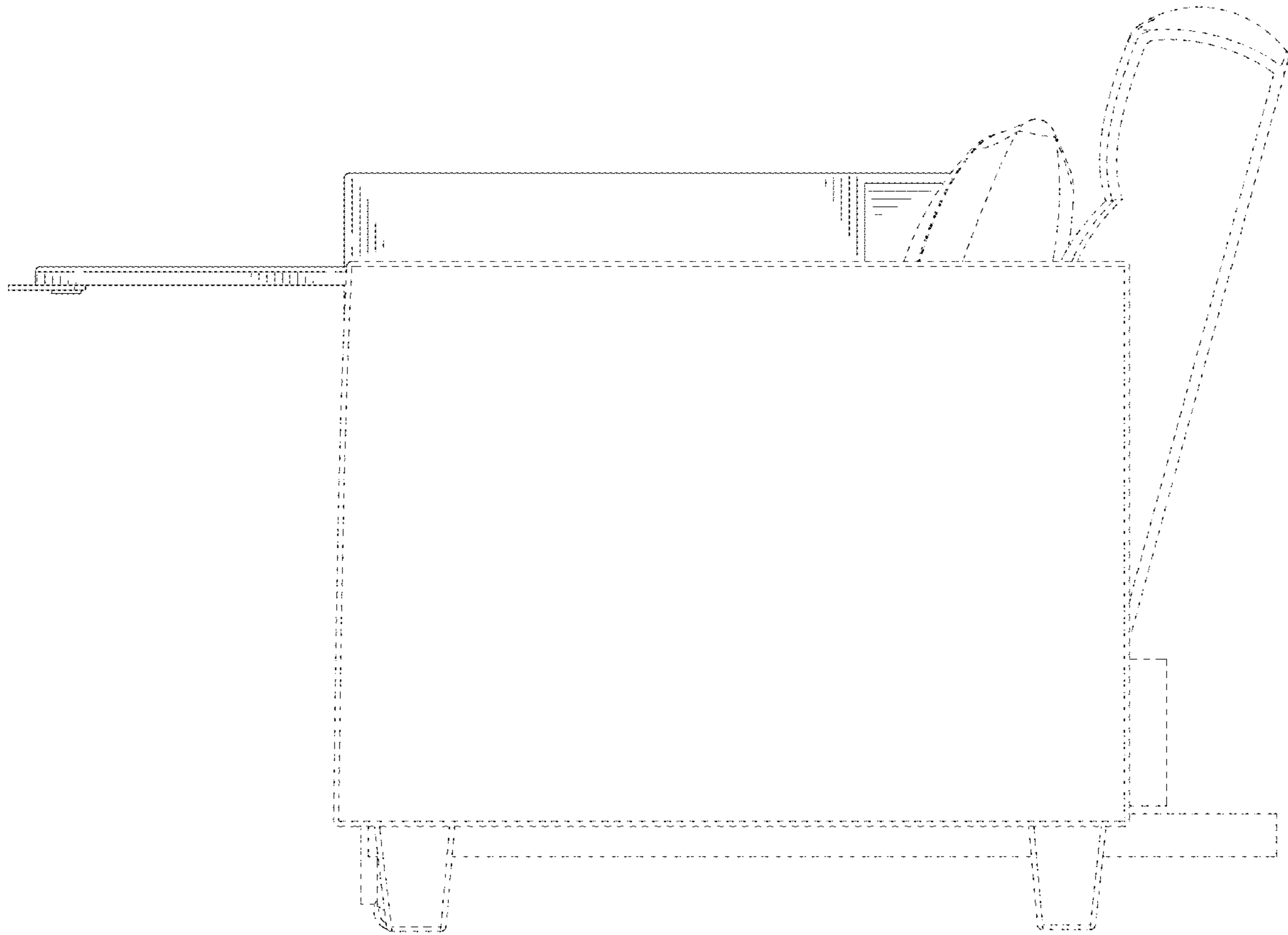


FIG. 6

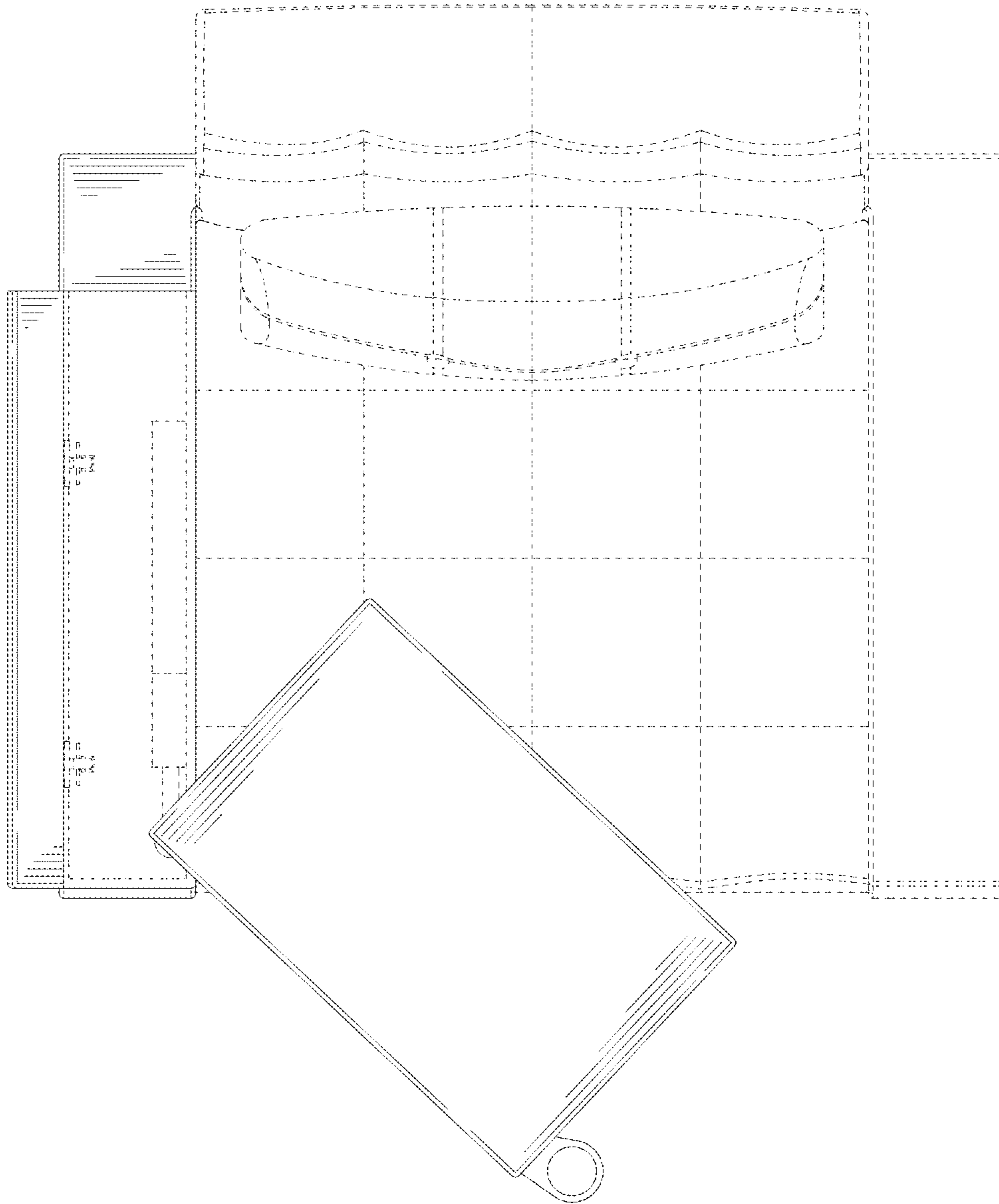


FIG. 7

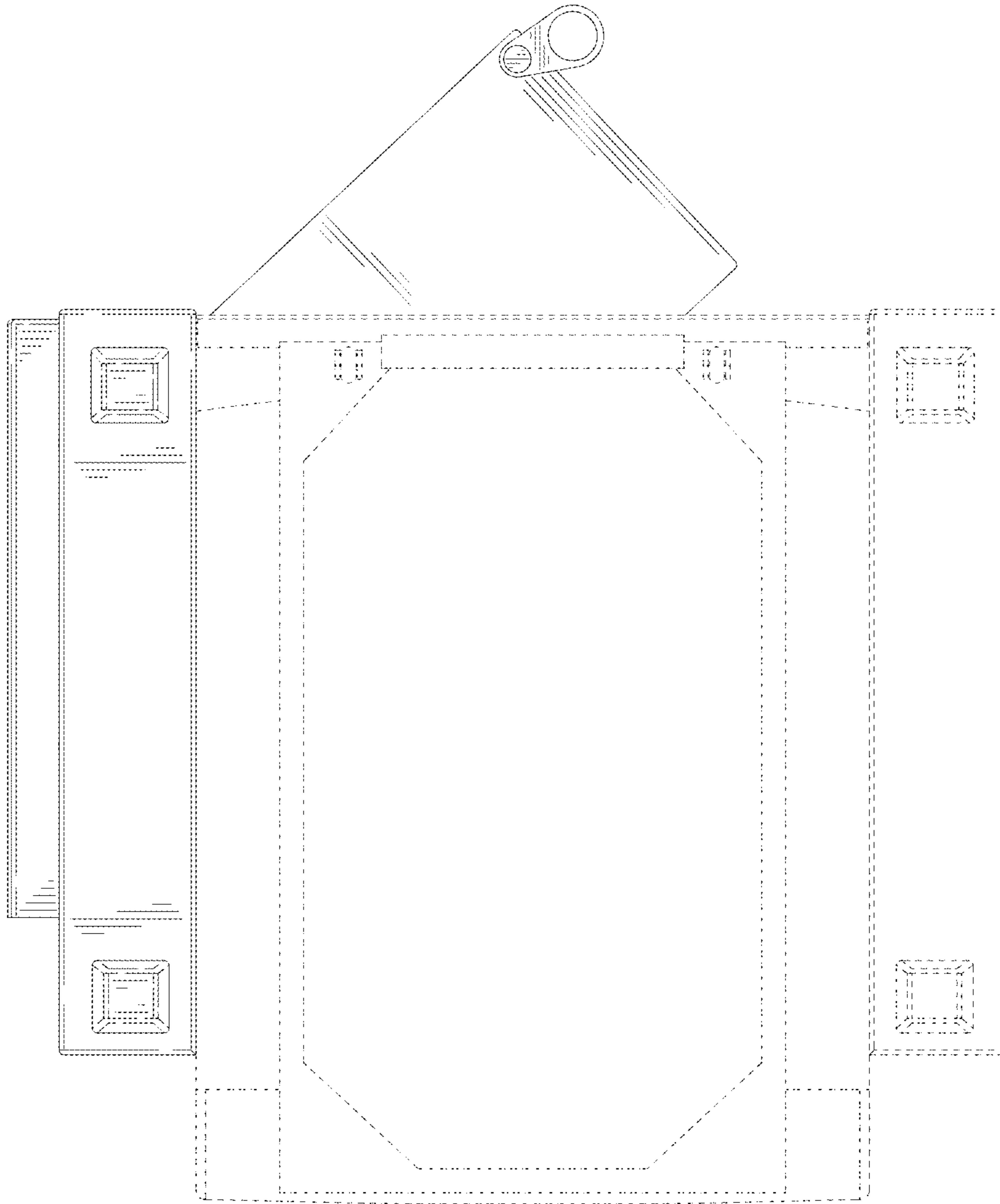


FIG. 8

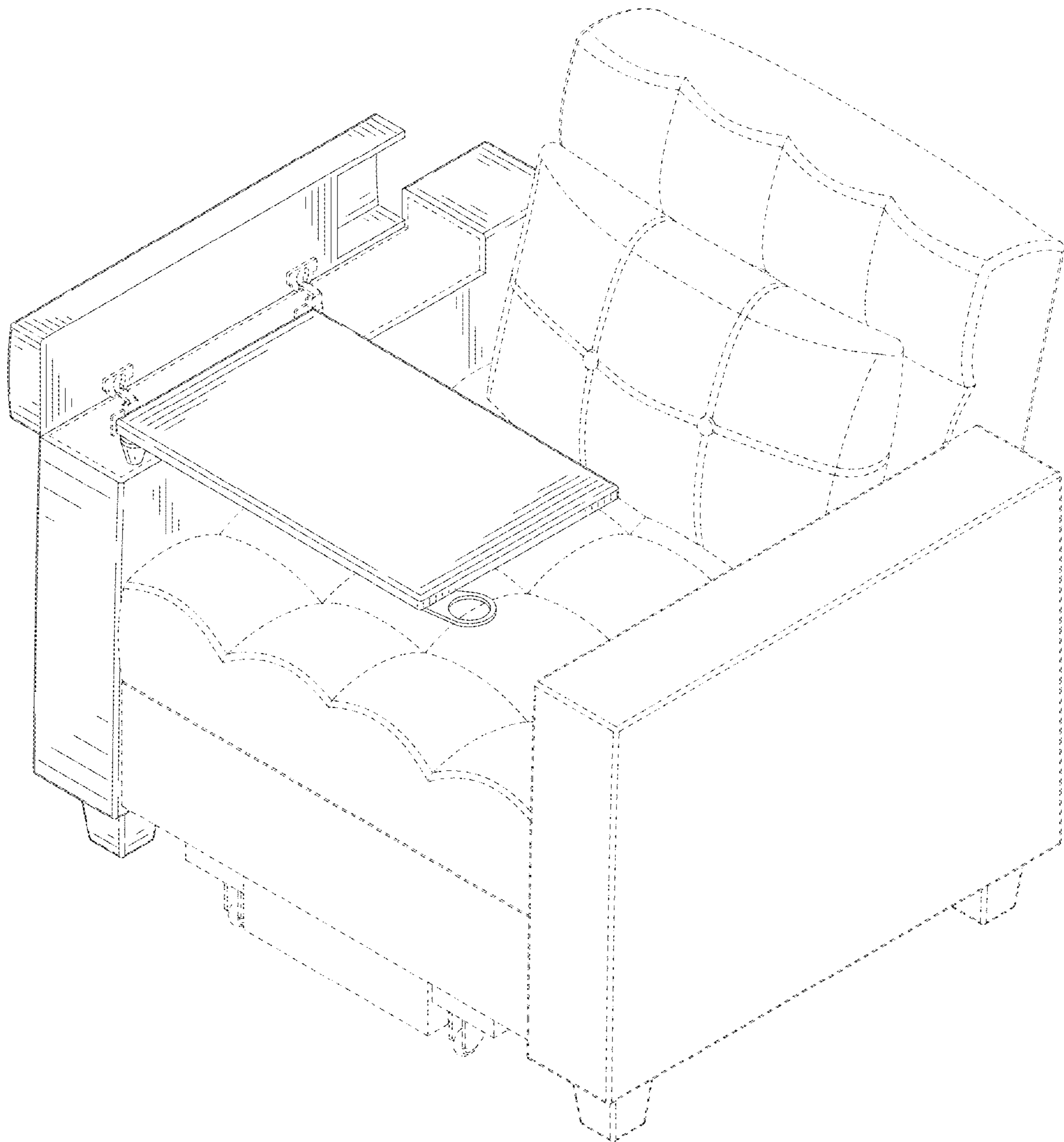


FIG. 9

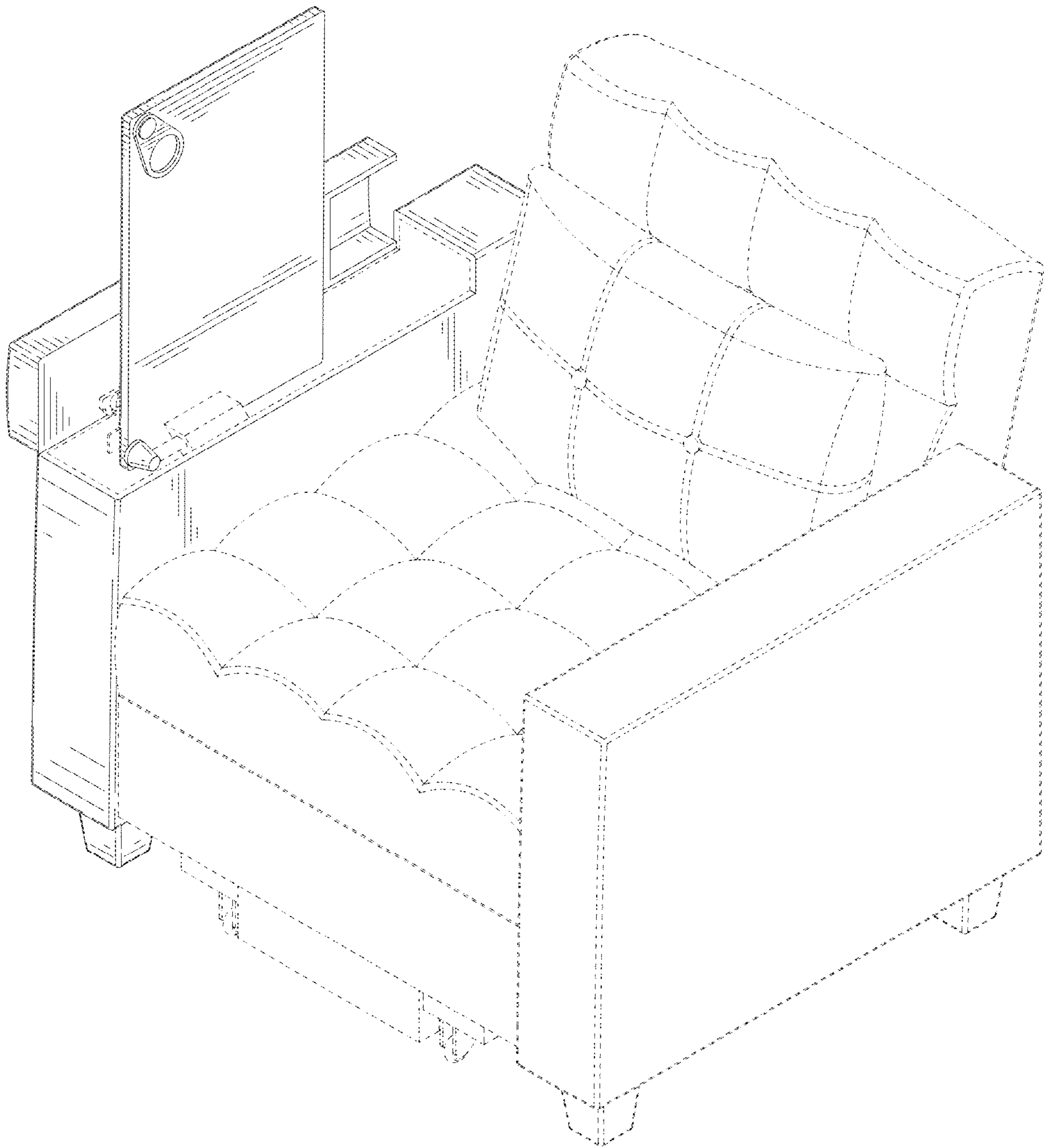


FIG. 10

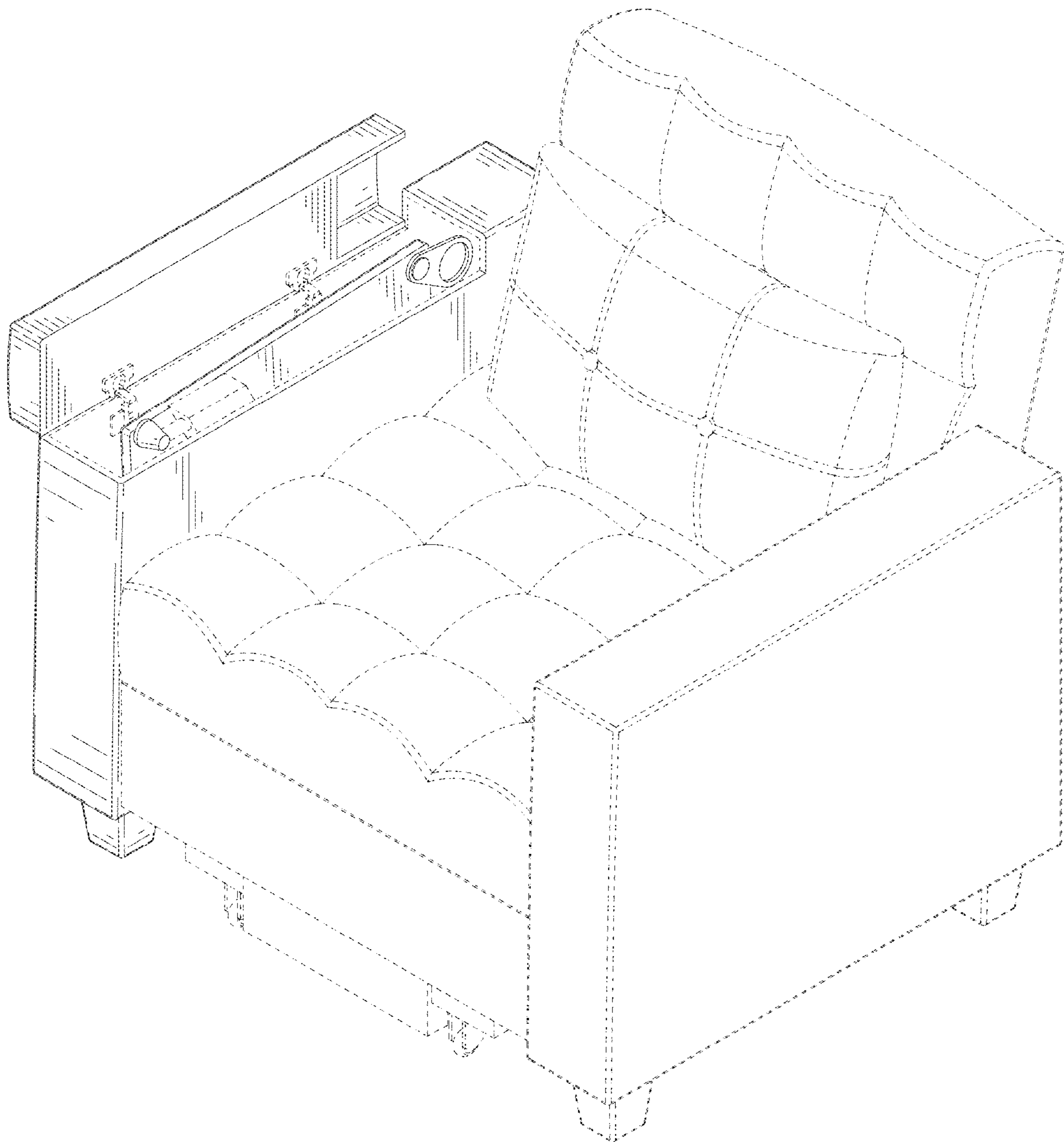


FIG. 11

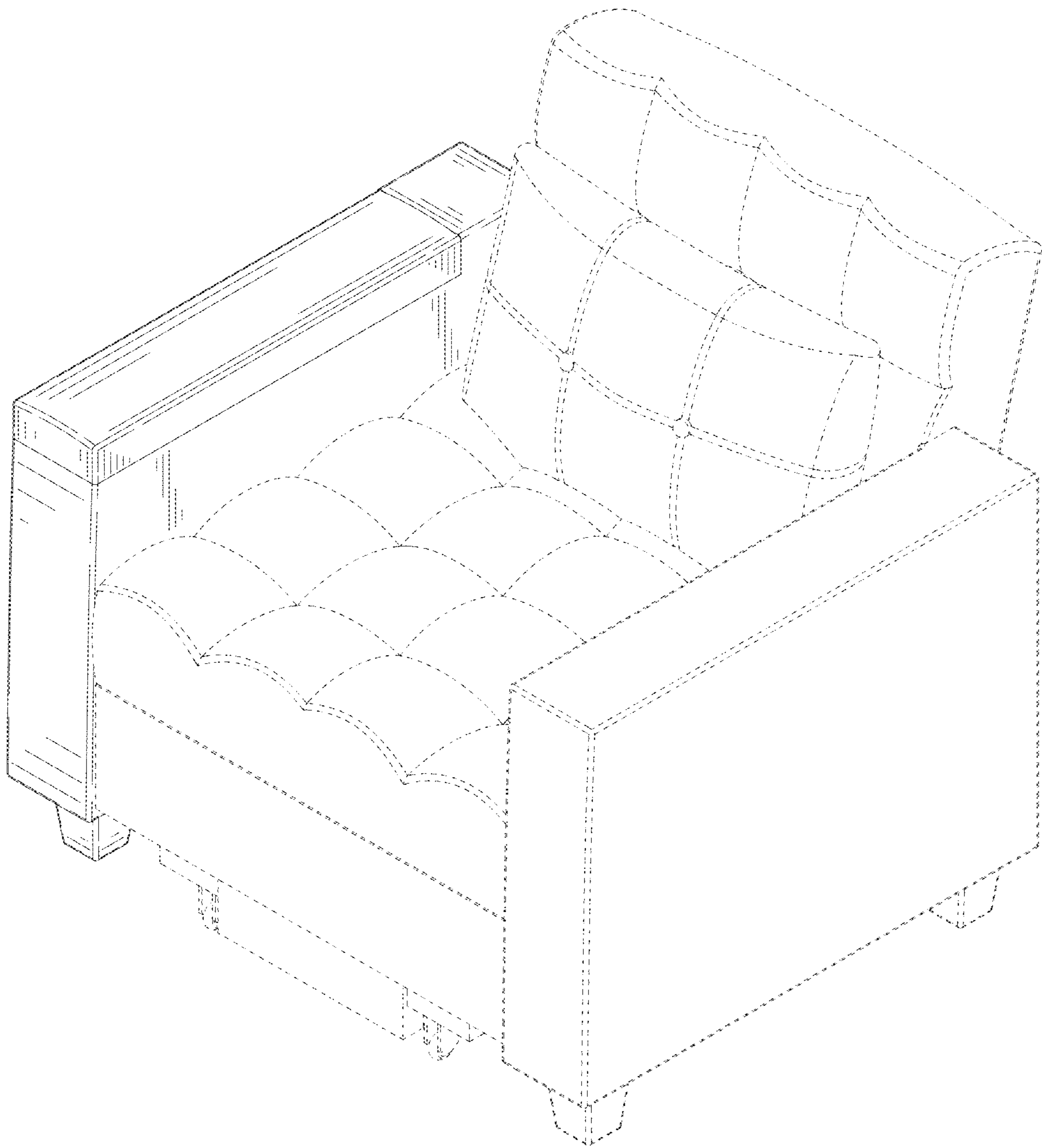


FIG. 12