



US00D987310S

(12) **United States Design Patent** (10) **Patent No.:** **US D987,310 S**
Li (45) **Date of Patent:** **** May 30, 2023**

- (54) **CHAIR**
- (71) Applicant: **39F USA INC**, Rancho Cucamonga, CA (US)
- (72) Inventor: **Yuehai Li**, Rancho Cucamonga, CA (US)
- (73) Assignee: **39F USA INC**, Rancho Cucamonga, CA (US)
- (**) Term: **15 Years**
- (21) Appl. No.: **29/727,139**
- (22) Filed: **Mar. 9, 2020**
- (51) **LOC (14) Cl.** **06-01**
- (52) **U.S. Cl.**
USPC **D6/334; D6/380**
- (58) **Field of Classification Search**
USPC D6/334, 335, 336, 364, 365, 366, 371, D6/372, 373, 374, 375, 379, 380, 382, D6/383, 384
CPC A47C 3/12
See application file for complete search history.

(56) **References Cited**

U.S. PATENT DOCUMENTS

D158,508 S *	5/1950	Saارين	D6/374
D187,525 S *	3/1960	Threborn	D6/334
D219,376 S *	12/1970	Pearson	D6/364

D288,506 S *	3/1987	Ochsner	D6/375
D664,381 S *	7/2012	Kubryk	D6/366
D825,216 S *	8/2018	Schaeffer	D6/375
D867,780 S *	11/2019	Krusin	D6/374
D906,708 S *	1/2021	Li	D6/366
D912,427 S *	3/2021	Li	D6/373
D913,006 S *	3/2021	Li	D6/375
D916,540 S *	4/2021	Konishi	D6/366
D917,216 S *	4/2021	Kubryk	D6/366
D919,993 S *	5/2021	Li	D6/366
D920,695 S *	6/2021	Li	D6/366
D924,585 S *	7/2021	Li	D6/366
D931,633 S *	9/2021	Li	D6/348
D931,639 S *	9/2021	Öjerstam	D6/366

* cited by examiner

Primary Examiner — Deanna L Pratt
(74) *Attorney, Agent, or Firm* — Raymond Y. Chan;
David and Raymond Patent Firm

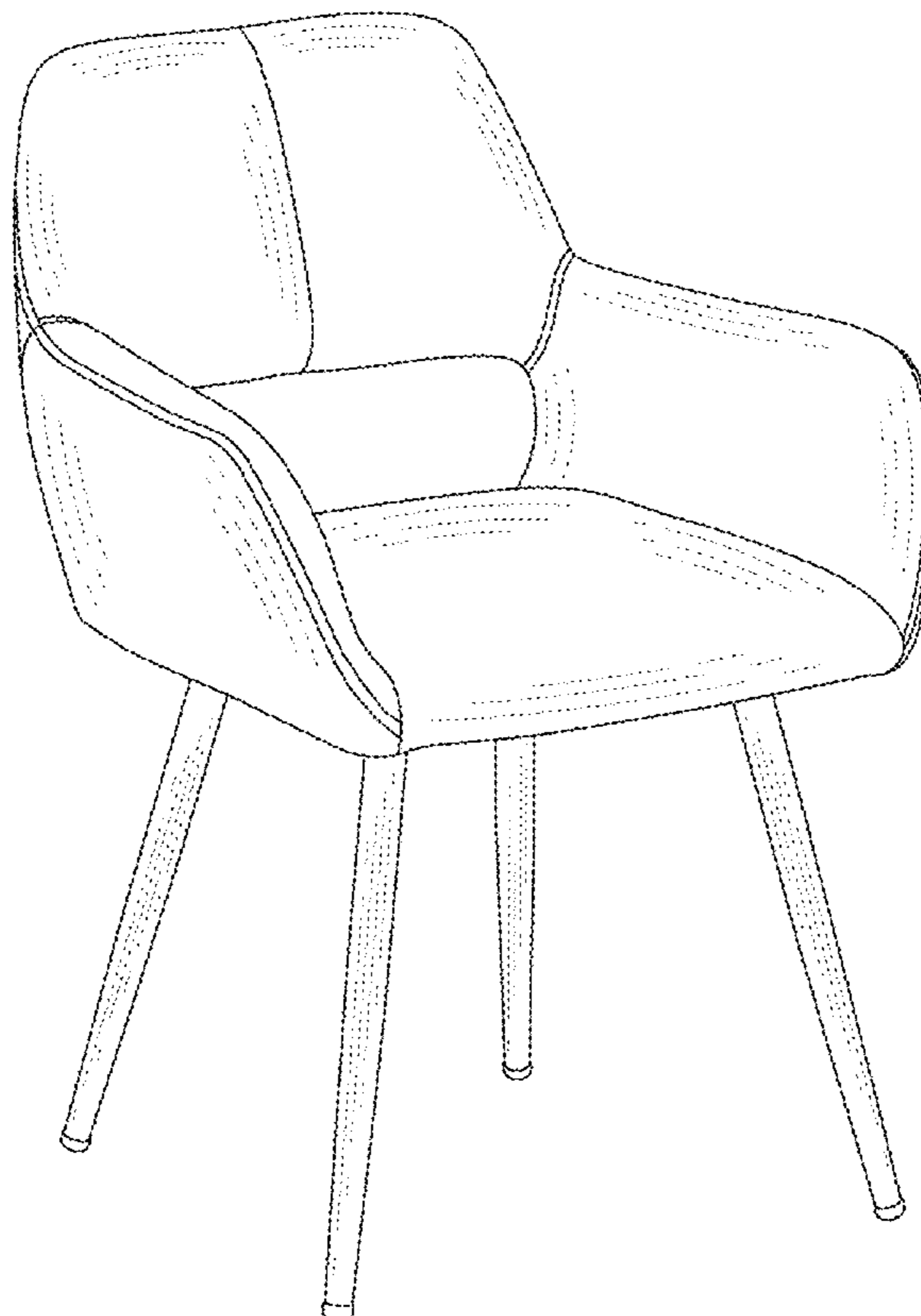
(57) **CLAIM**

The ornamental design for a chair, as shown and described.

DESCRIPTION

FIG. 1 is a front perspective view of a chair showing my new design;
FIG. 2 is a front elevation view thereof;
FIG. 3 is a rear elevation view thereof;
FIG. 4 is a left-side elevation view thereof;
FIG. 5 is a right-side elevation view thereof;
FIG. 6 is a top plan view thereof; and,
FIG. 7 is a rear plan view thereof.

1 Claim, 7 Drawing Sheets



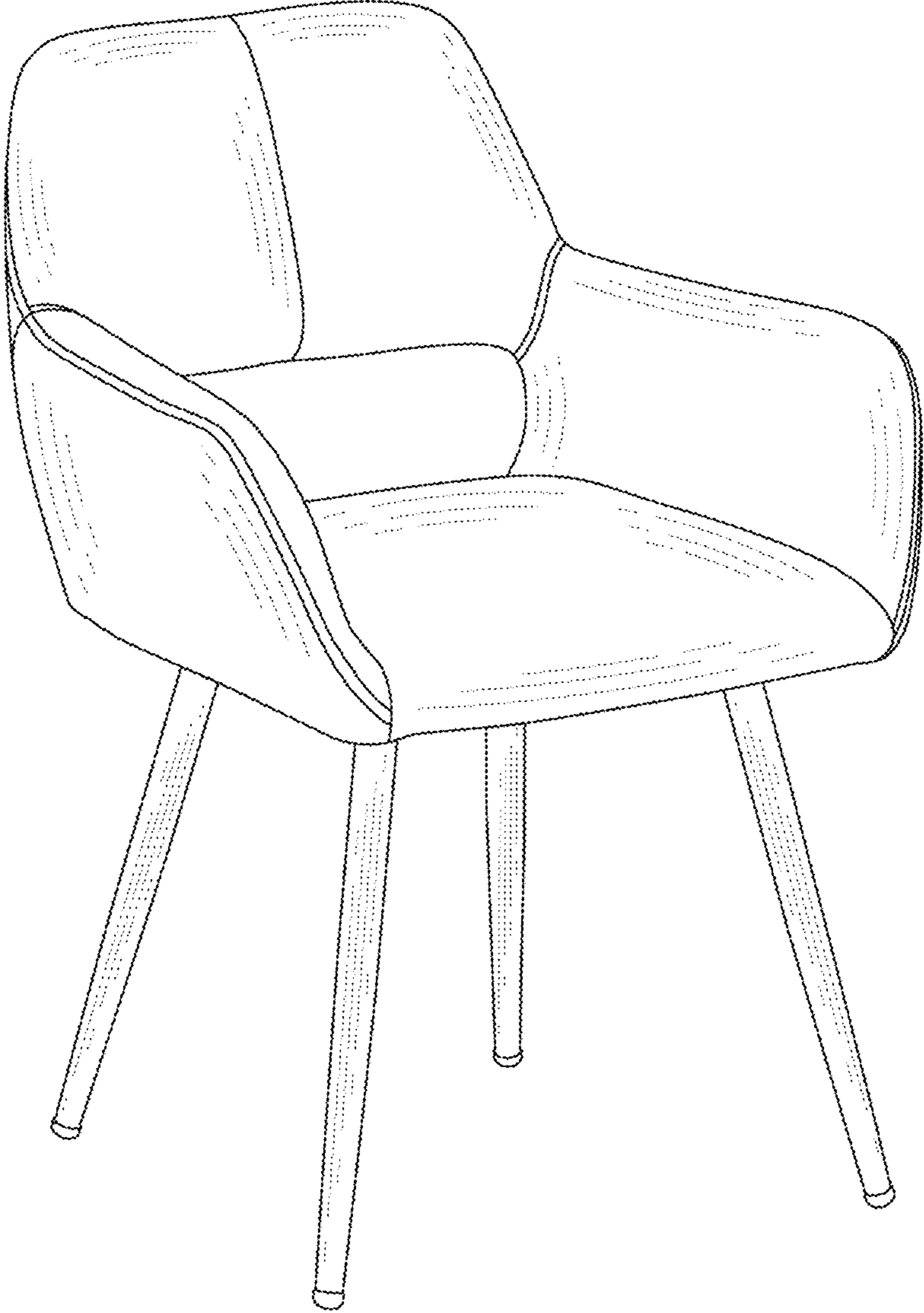


Fig.1

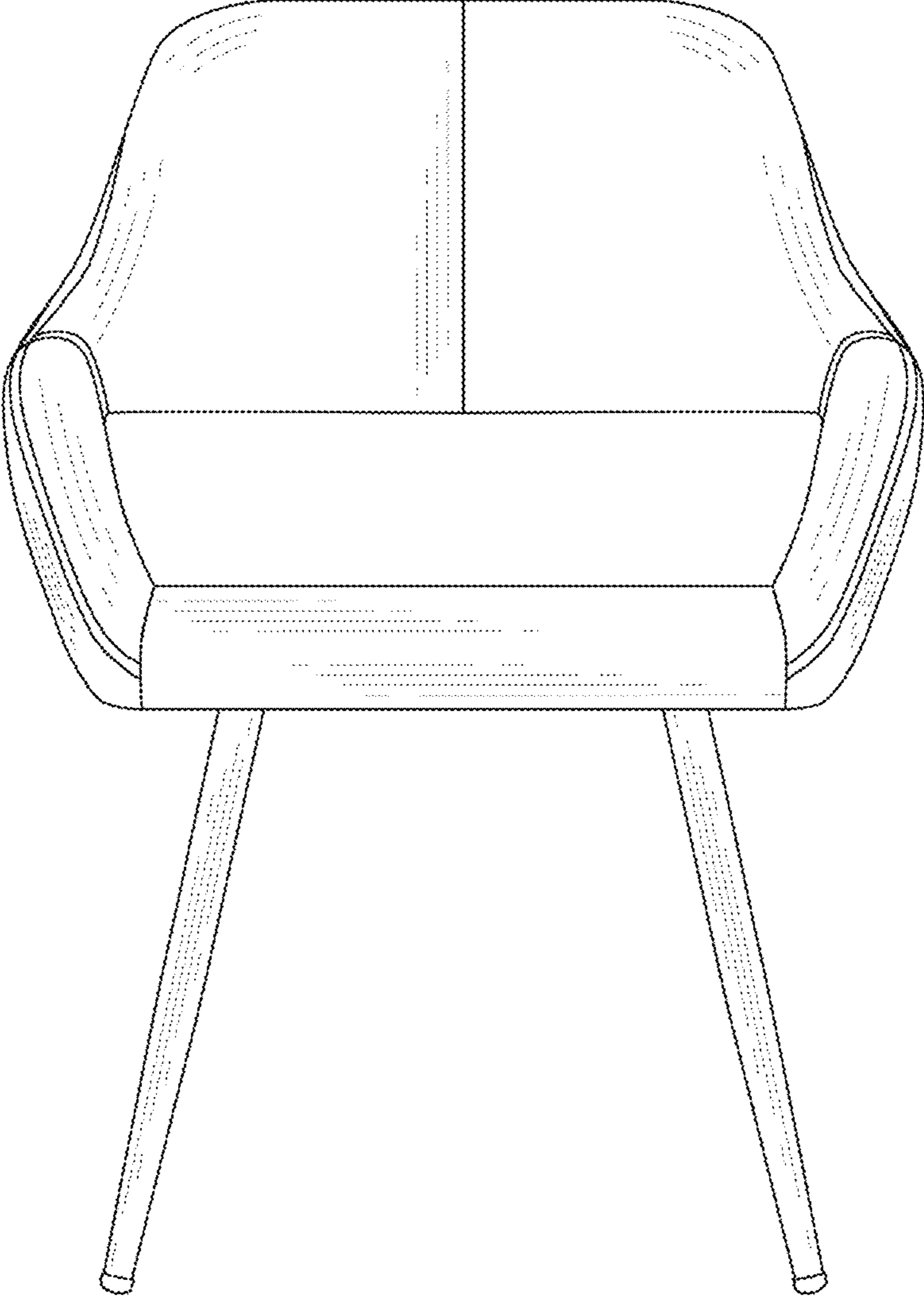


Fig.2

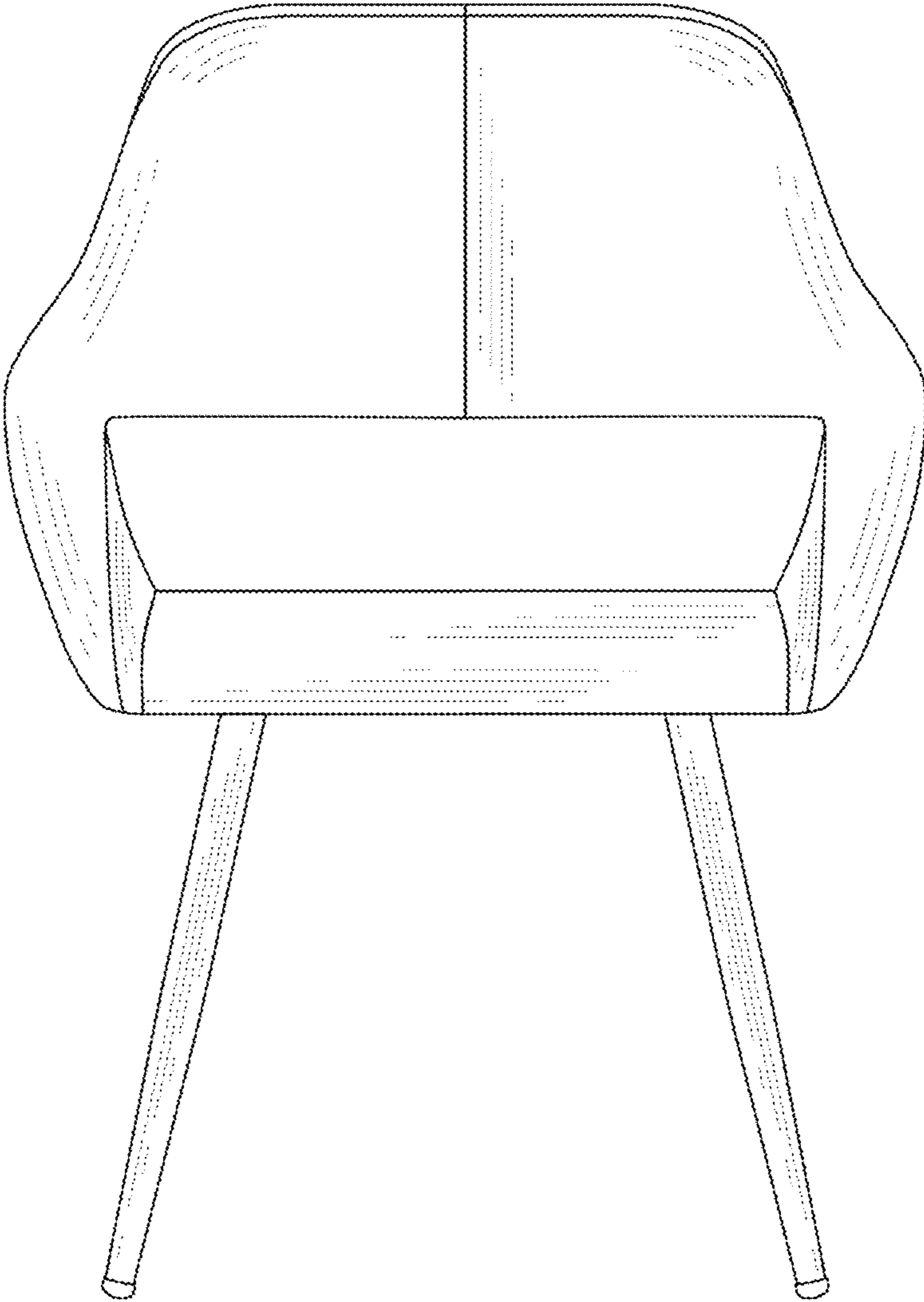


Fig.3

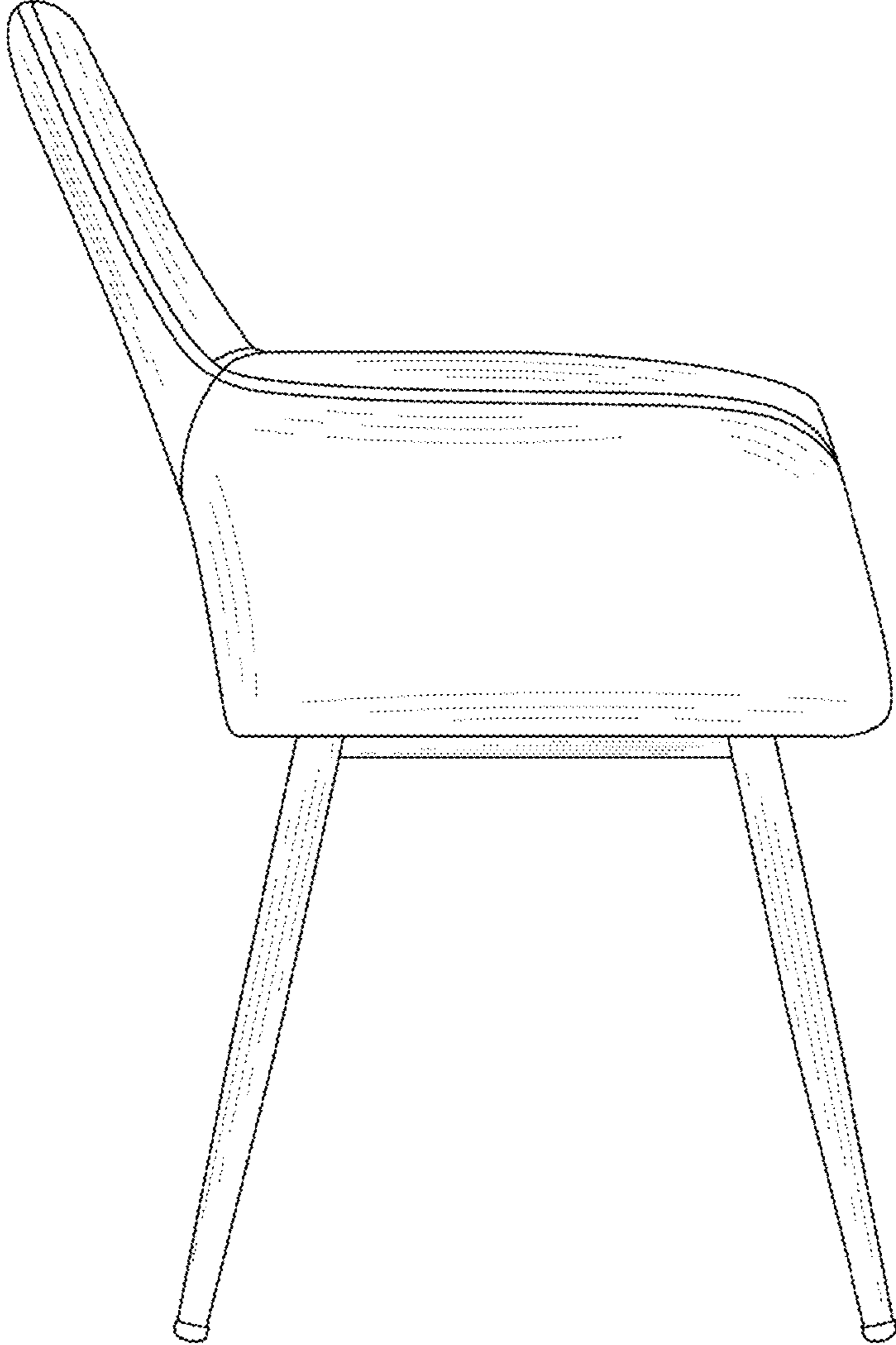


Fig.4

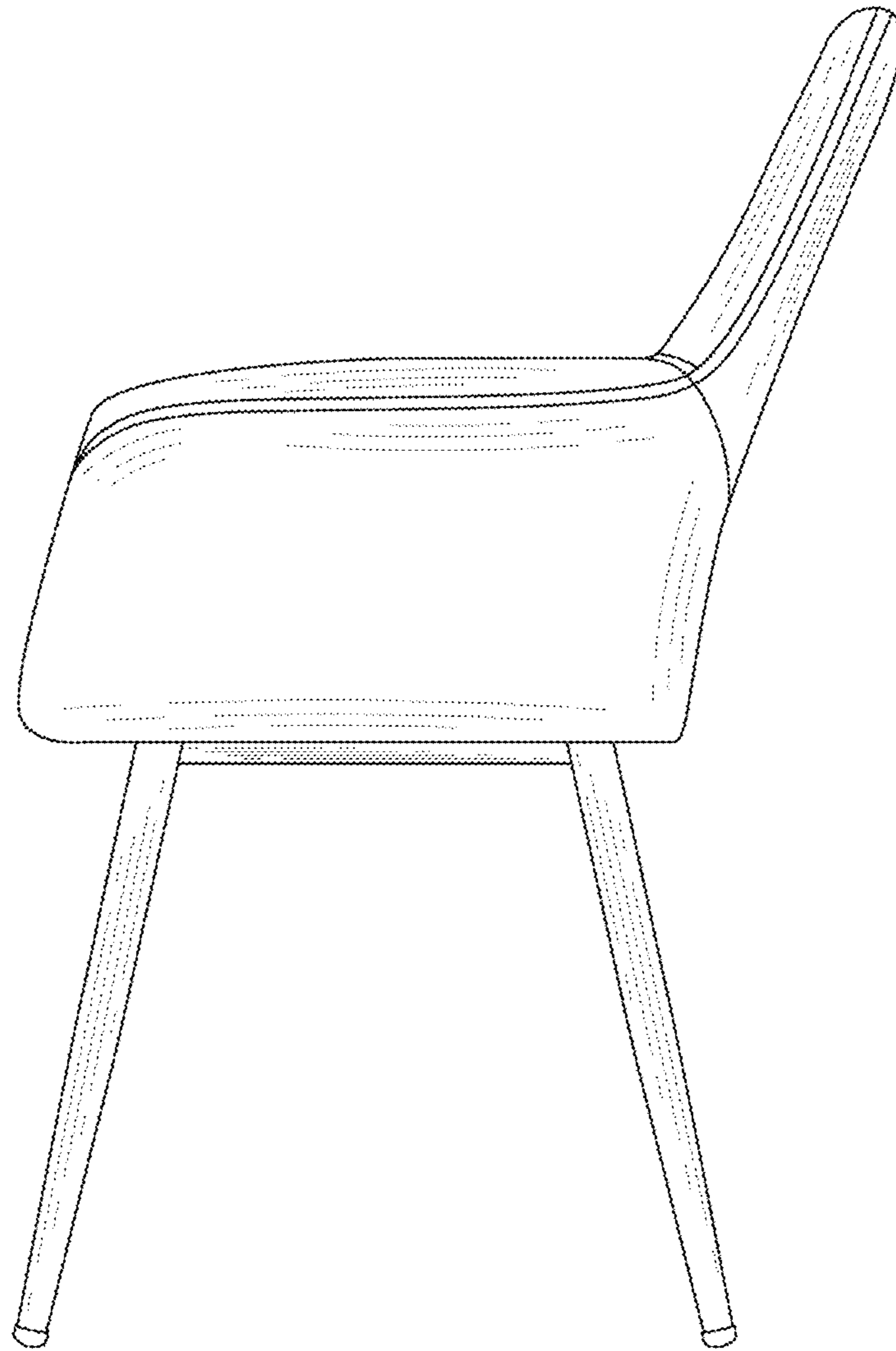


Fig.5

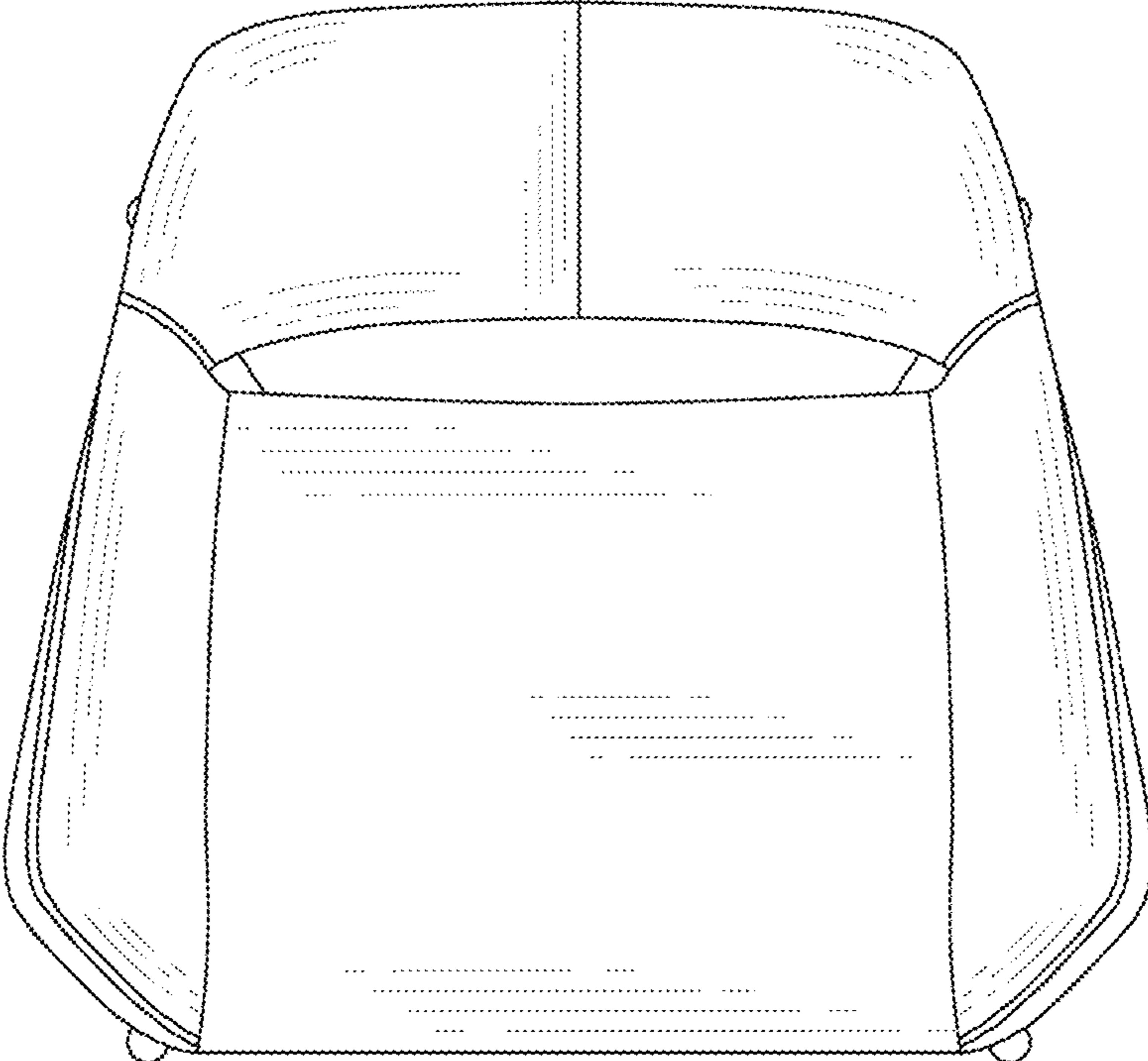


Fig.6

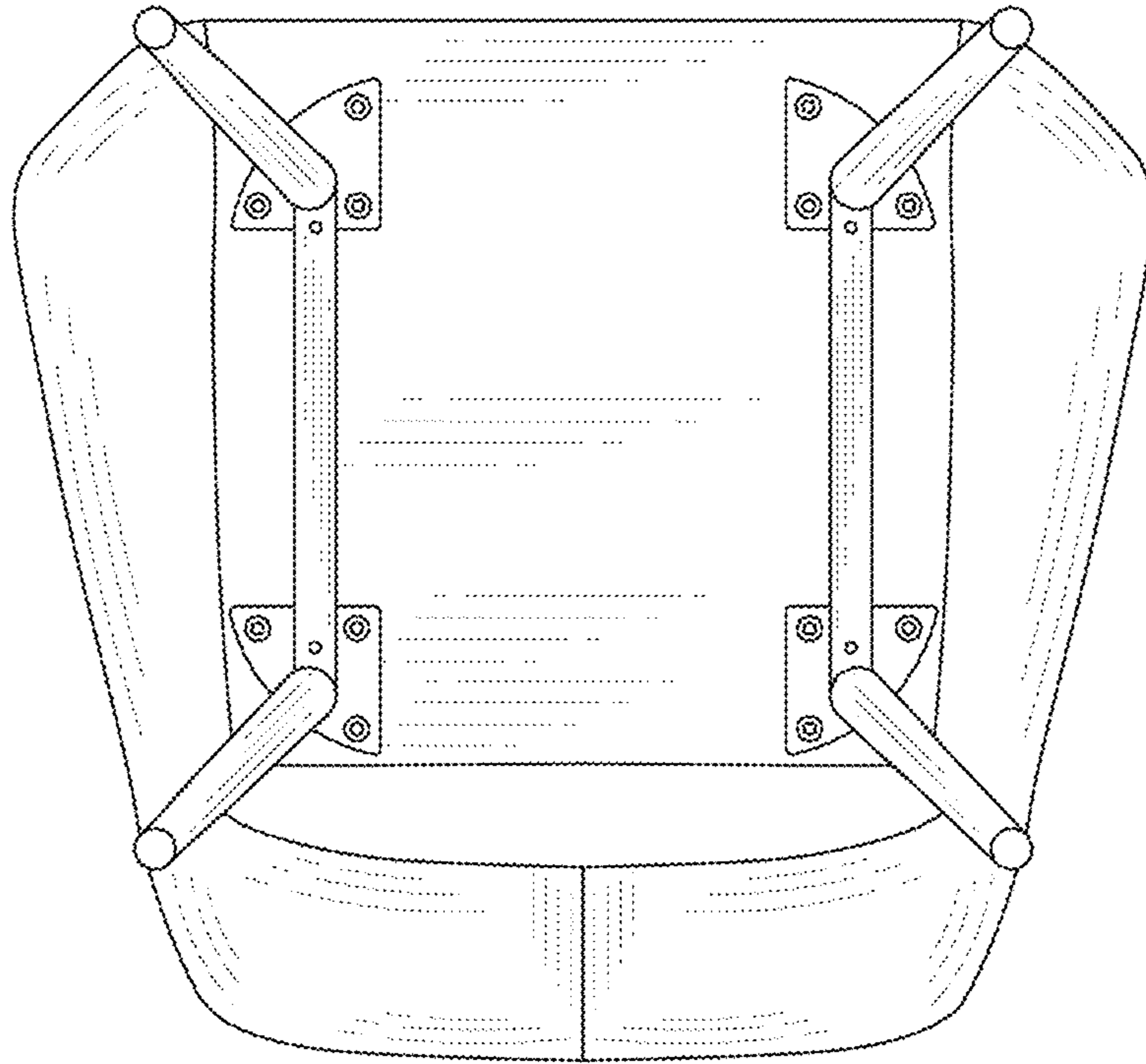


Fig.7