



US00D987309S

(12) **United States Design Patent** (10) **Patent No.:** **US D987,309 S**
Li (45) **Date of Patent:** **** May 30, 2023**

(54) **CHAIR**
(71) Applicant: **39F USA INC**, Rancho Cucamonga, CA (US)
(72) Inventor: **Yuehai Li**, Rancho Cucamonga, CA (US)

D211,460 S * 6/1968 Zufferey D6/365
D386,909 S * 12/1997 Mourgue D6/334
D495,507 S * 9/2004 Lee D6/358
D560,376 S * 1/2008 Sempe D6/334
D948,230 S * 4/2022 Du D6/374
D959,868 S * 8/2022 Li D6/334

(73) Assignee: **39F USA INC**, Rancho Cucamonga, CA (US)

FOREIGN PATENT DOCUMENTS

(**) Term: **15 Years**

CN 305572030 * 1/2020

* cited by examiner

(21) Appl. No.: **29/727,071**

Primary Examiner — Deanna L Pratt

(22) Filed: **Mar. 9, 2020**

(74) *Attorney, Agent, or Firm* — Raymond Y. Chan; I David and Raymond Patent Firm

(51) **LOC (14) Cl.** **06-01**

(57) **CLAIM**

(52) **U.S. Cl.**
USPC **D6/334**

The ornamental design for a chair, as shown and described.

(58) **Field of Classification Search**
USPC D6/334, 335, 336, 364, 365, 366, 371, D6/372, 373, 374, 375, 379, 380, 382, D6/383, 384
CPC A47C 4/028
See application file for complete search history.

DESCRIPTION

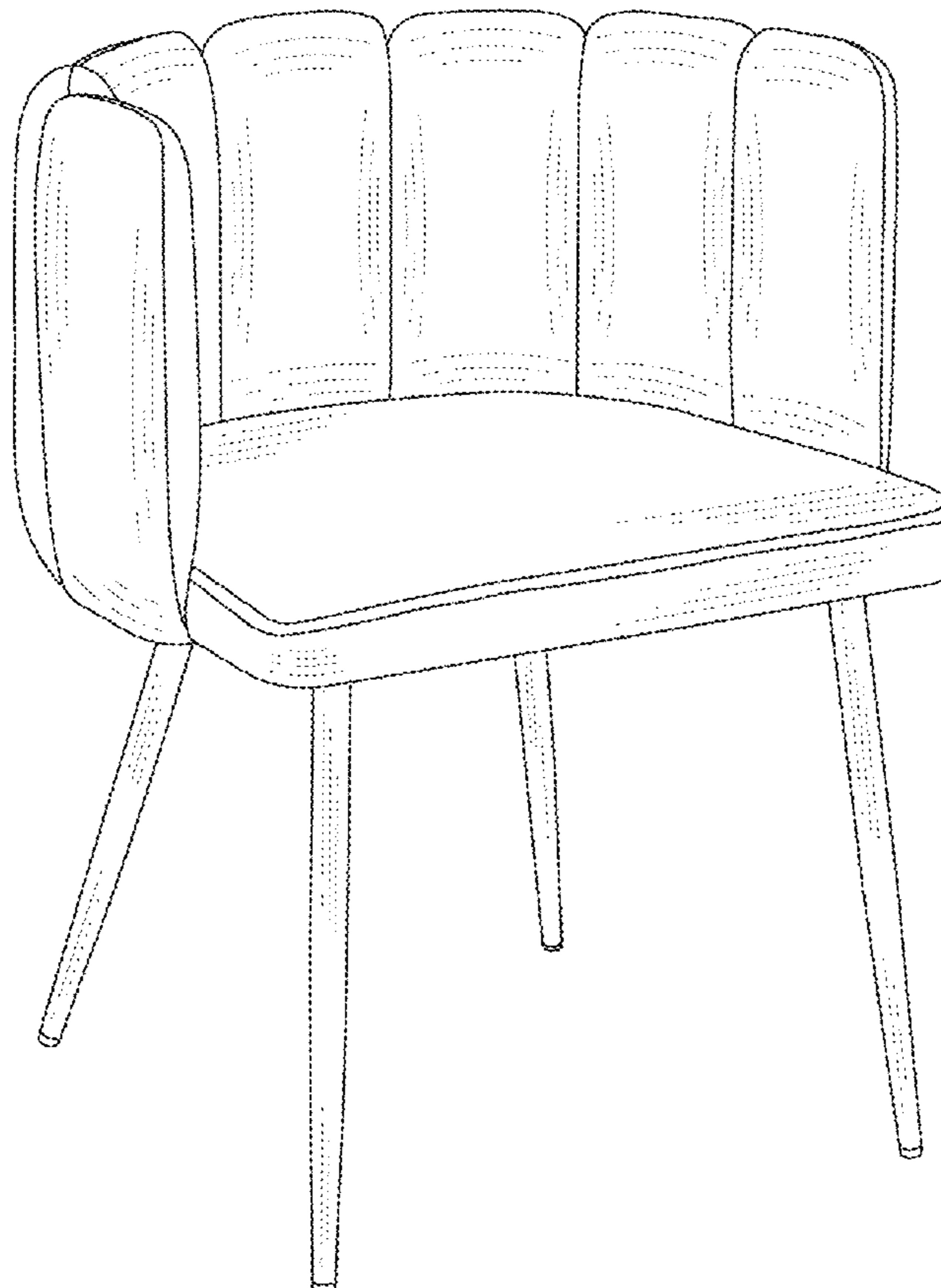
FIG. 1 is a front perspective view of a chair showing my new design;
FIG. 2 is a front elevation view thereof;
FIG. 3 is a rear elevation view thereof;
FIG. 4 is a left-side elevation view thereof;
FIG. 5 is a right-side elevation view thereof;
FIG. 6 is a top plan view thereof; and,
FIG. 7 is a rear plan view thereof.

(56) **References Cited**

U.S. PATENT DOCUMENTS

D151,270 S * 10/1948 Kaufman D6/364
D178,888 S * 10/1956 Keal D6/334

1 Claim, 7 Drawing Sheets



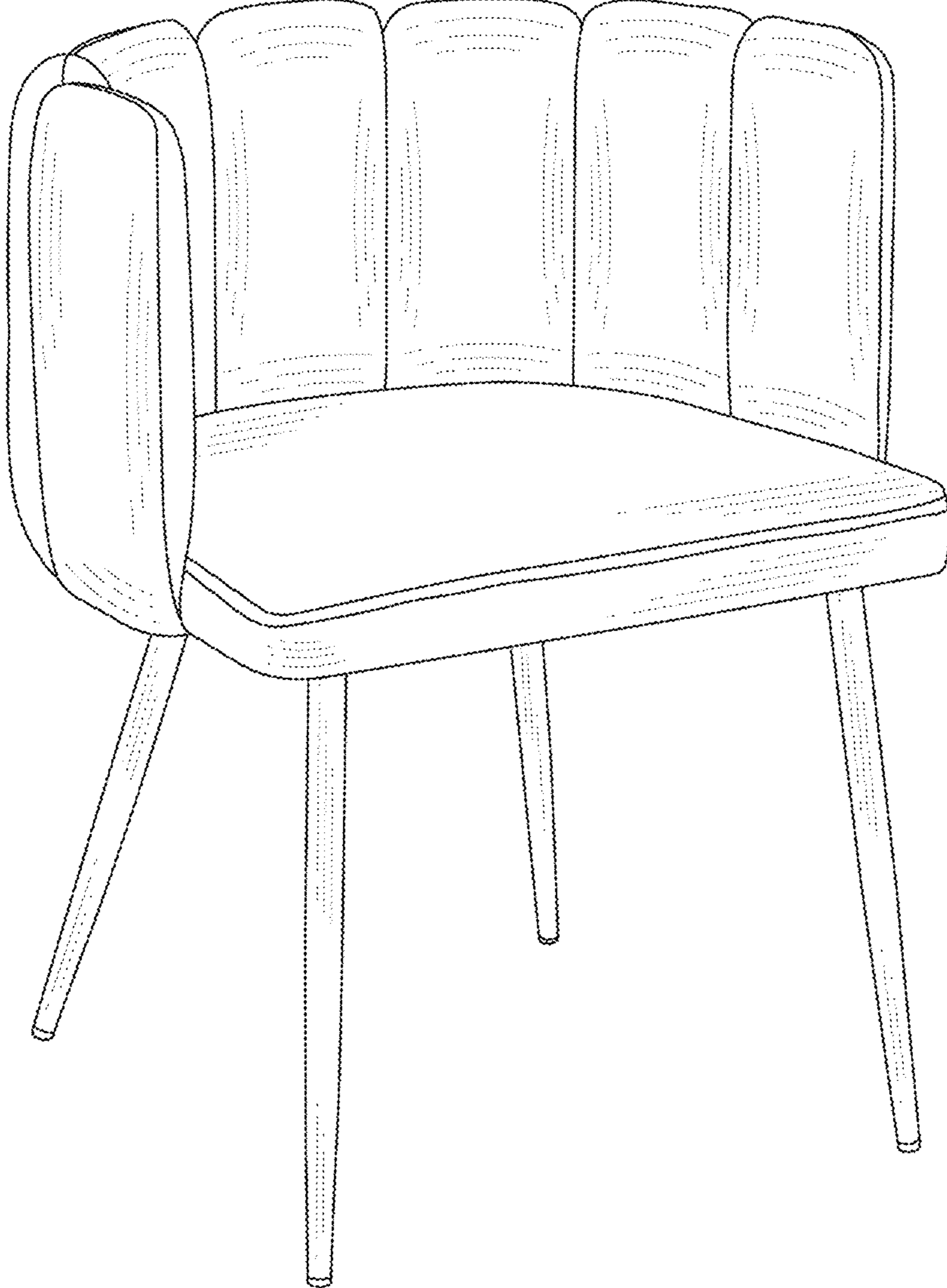


Fig.1

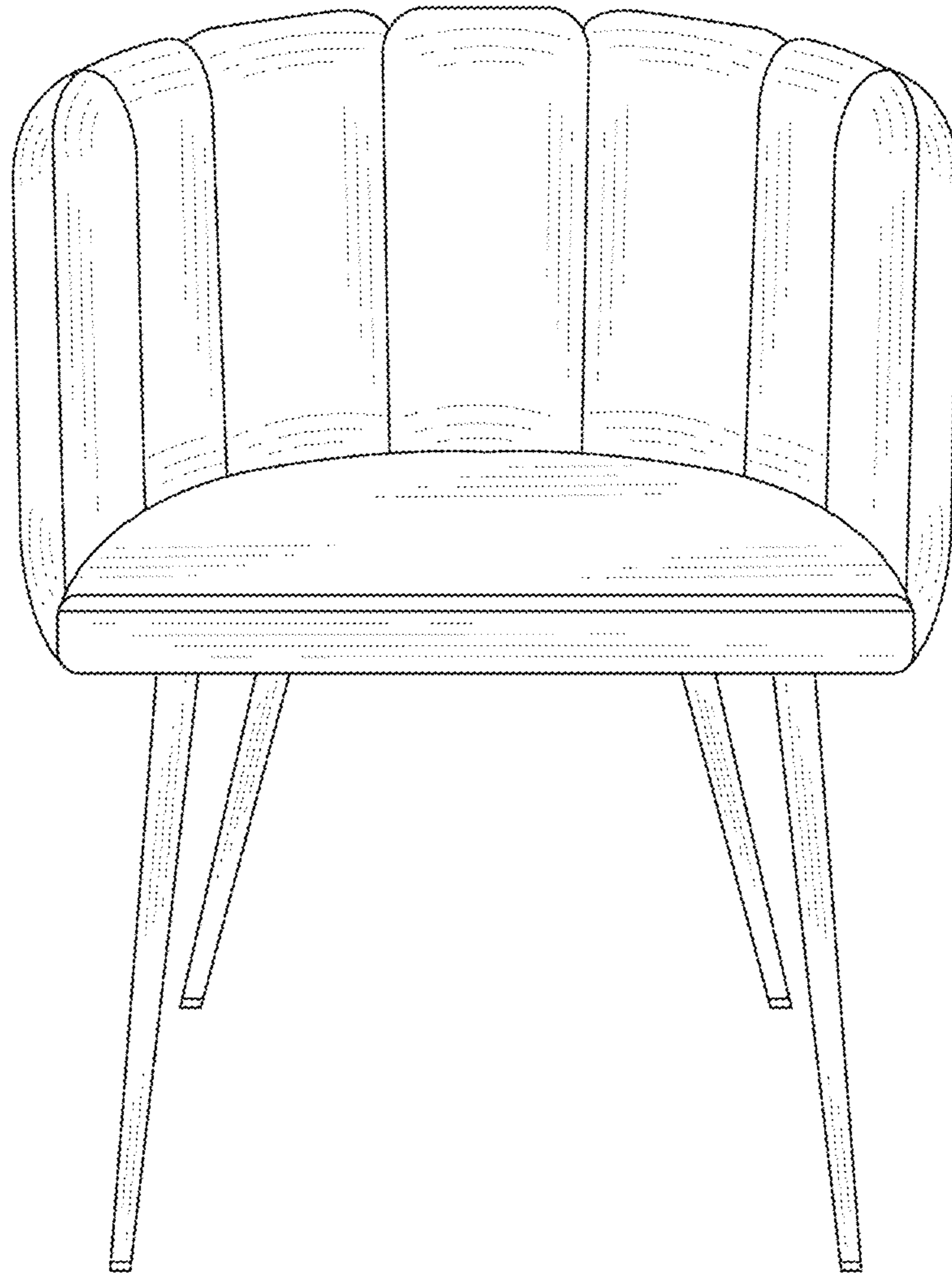


Fig.2

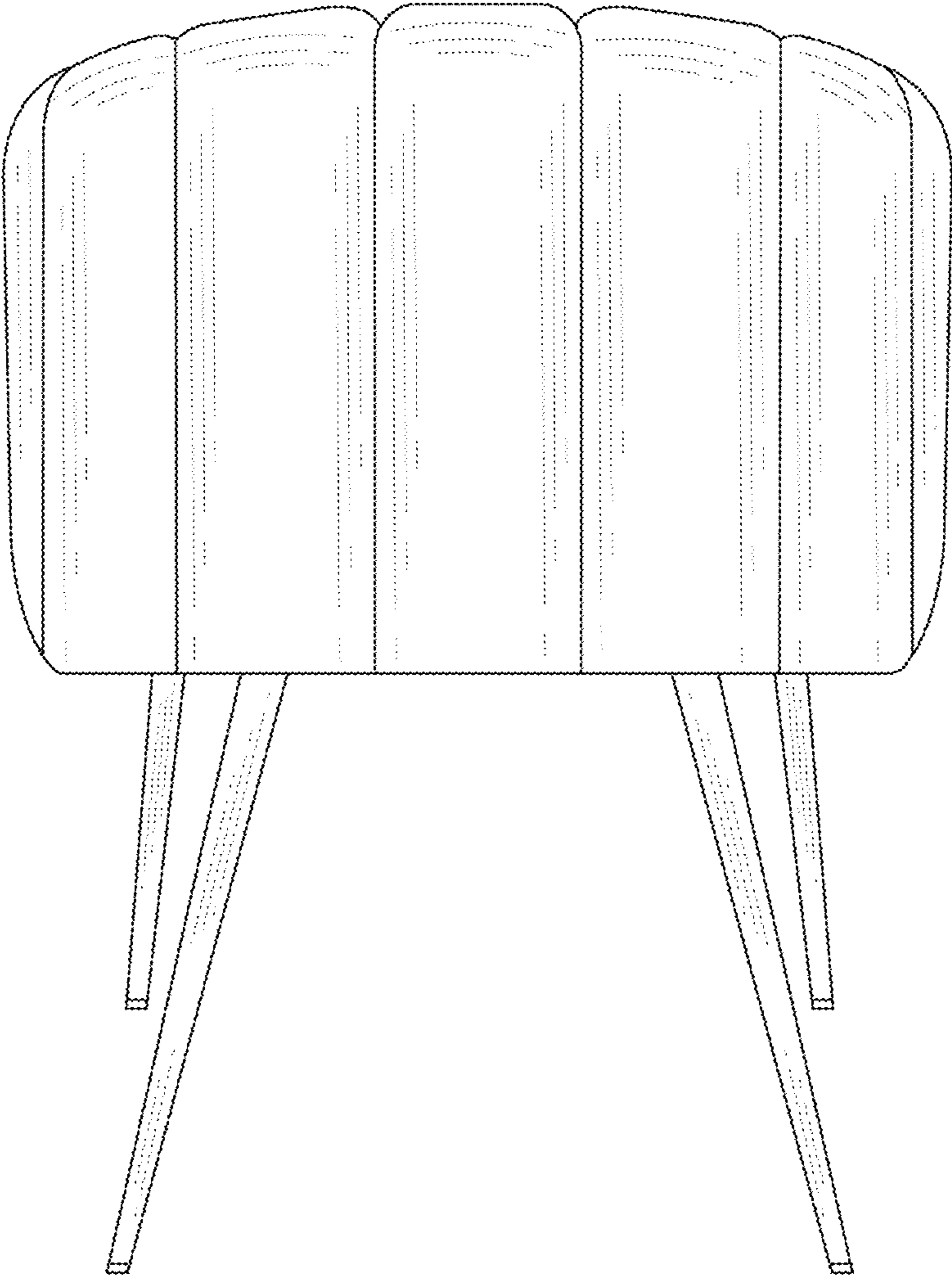


Fig.3

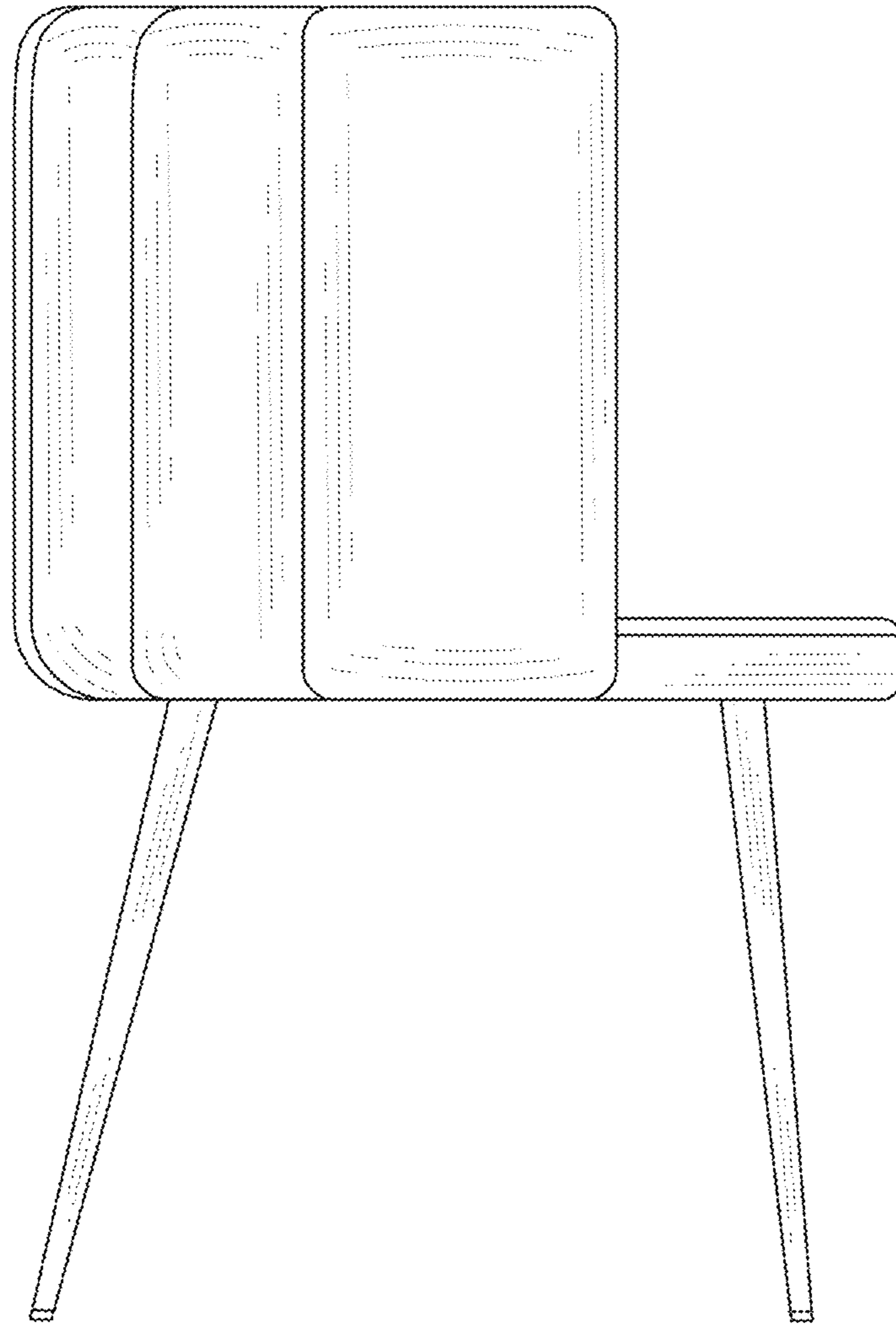


Fig.4

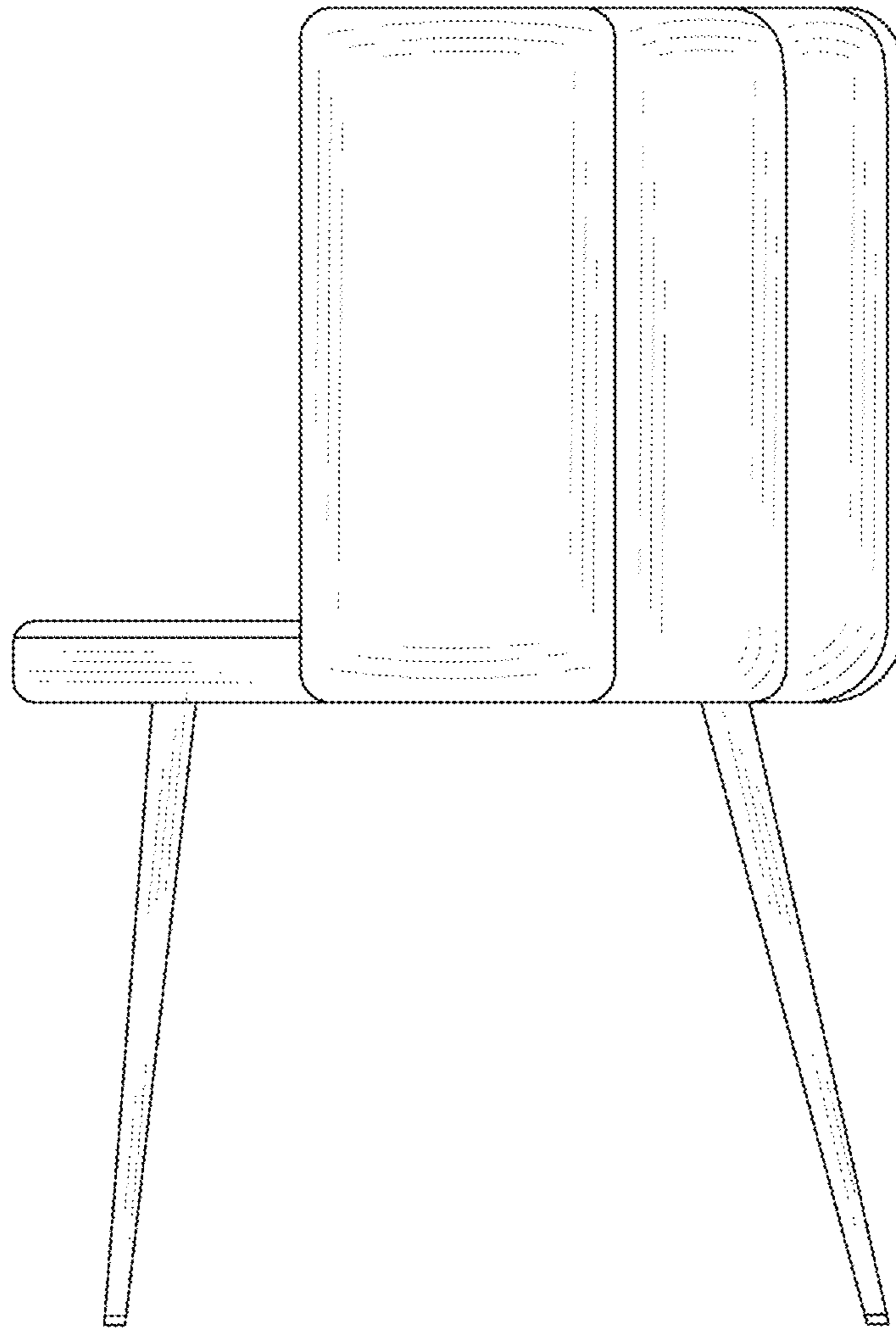


Fig.5

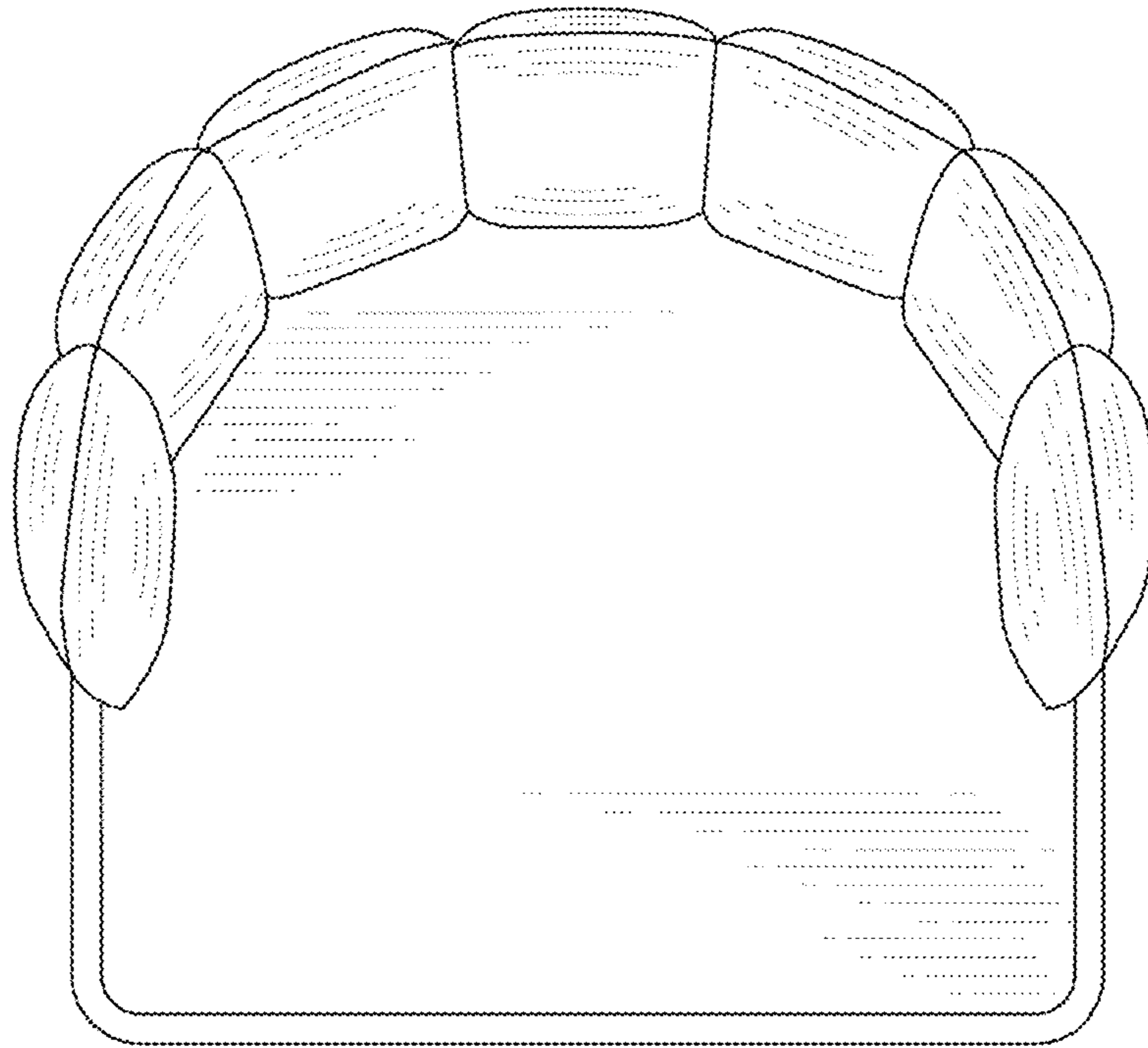


Fig.6

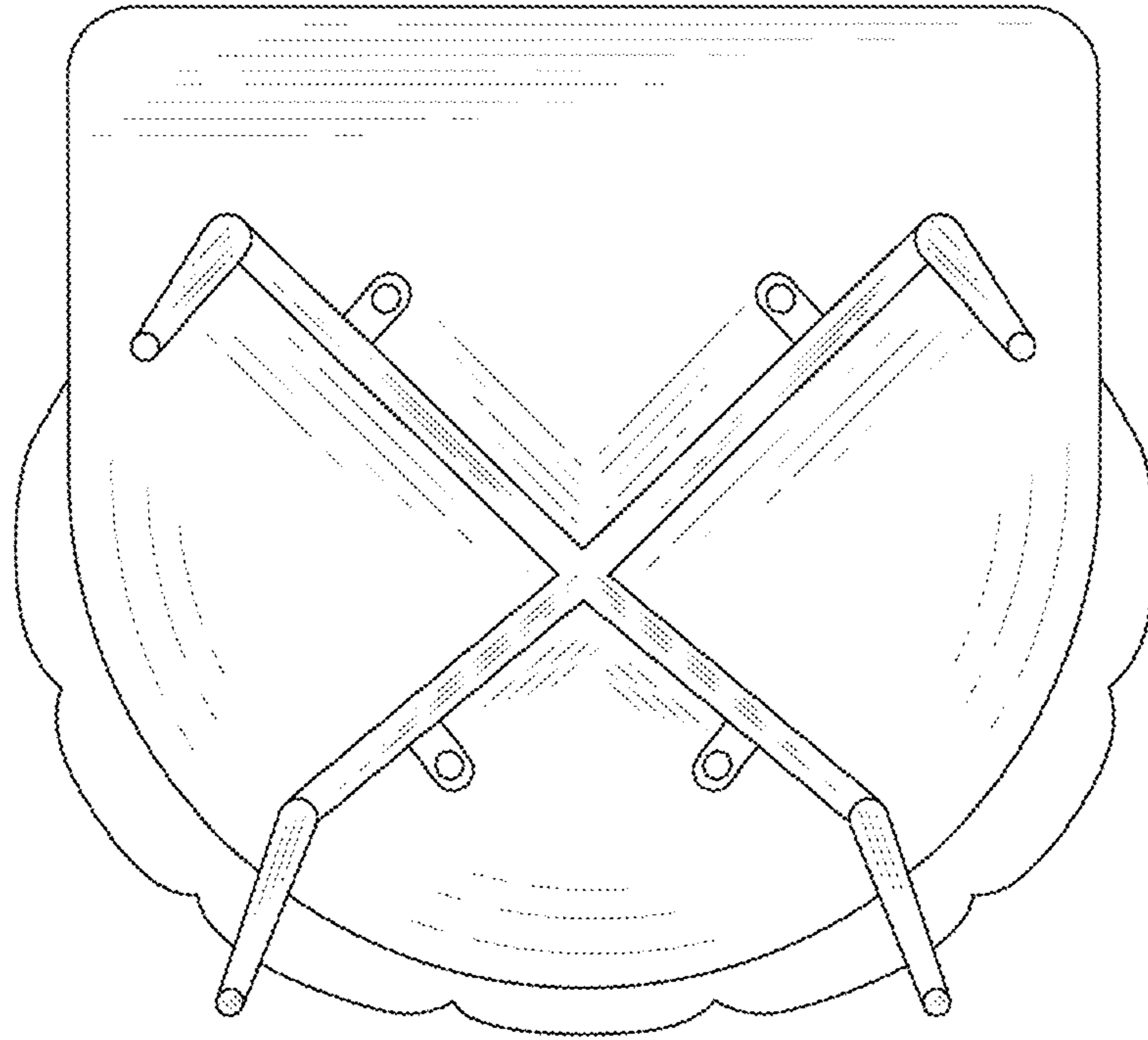


Fig.7