



US00D987308S

(12) **United States Design Patent**
Dains et al.

(10) **Patent No.:** **US D987,308 S**

(45) **Date of Patent:** **** May 30, 2023**

(54) **FOLDING HANGER**

(71) Applicant: **Dains Custom Athletic Lockers, LLC**,
Schell City, MO (US)

(72) Inventors: **Stephen B. Dains**, Pleasant Hill, MO
(US); **Vanness D. Emokpae**, Pleasant
Hill, MO (US)

(73) Assignee: **Dains Custom Athletic Lockers, LLC**,
Schell City, MO (US)

(**) Term: **15 Years**

(21) Appl. No.: **29/814,220**

(22) Filed: **Nov. 4, 2021**

(51) **LOC (14) Cl.** **08-06**

(52) **U.S. Cl.**
USPC **D8/371; D8/367**

(58) **Field of Classification Search**
USPC D8/349, 354, 366, 367, 370-372, 373,
D8/381; D6/323
CPC . A47B 81/00; A47B 2031/003; A47B 96/061;
A47B 2220/0036; A47B 88/988; A47B
96/00; A47B 96/025; A47G 25/0607;
A47F 5/083; Y10T 24/45969; Y10T
16/469; Y10T 24/307

See application file for complete search history.

(56) **References Cited**

U.S. PATENT DOCUMENTS

D142,538 S * 10/1945 White D8/371
3,199,823 A * 8/1965 Stall A47H 1/122
248/265
D226,167 S * 1/1973 Del Ponte D8/367

D232,518 S * 8/1974 McCoy D8/371
D290,931 S * 7/1987 Powell D8/371
D315,091 S * 3/1991 Embree D8/367
D320,152 S * 9/1991 Schreib D8/367
D329,372 S * 9/1992 Wilms D8/380
D342,359 S * 12/1993 Dupont D8/367
D445,019 S * 7/2001 Vitetta D8/349
D709,357 S * 7/2014 Bell D8/373
D726,526 S * 4/2015 Veilleux D8/367
2010/0320345 A1 * 12/2010 Huang A47G 25/0635
248/308
2019/0167019 A1 * 6/2019 Ko A47G 1/20

* cited by examiner

Primary Examiner — Lauren R Calve

(74) *Attorney, Agent, or Firm* — Luedeka Neely Group,
PC

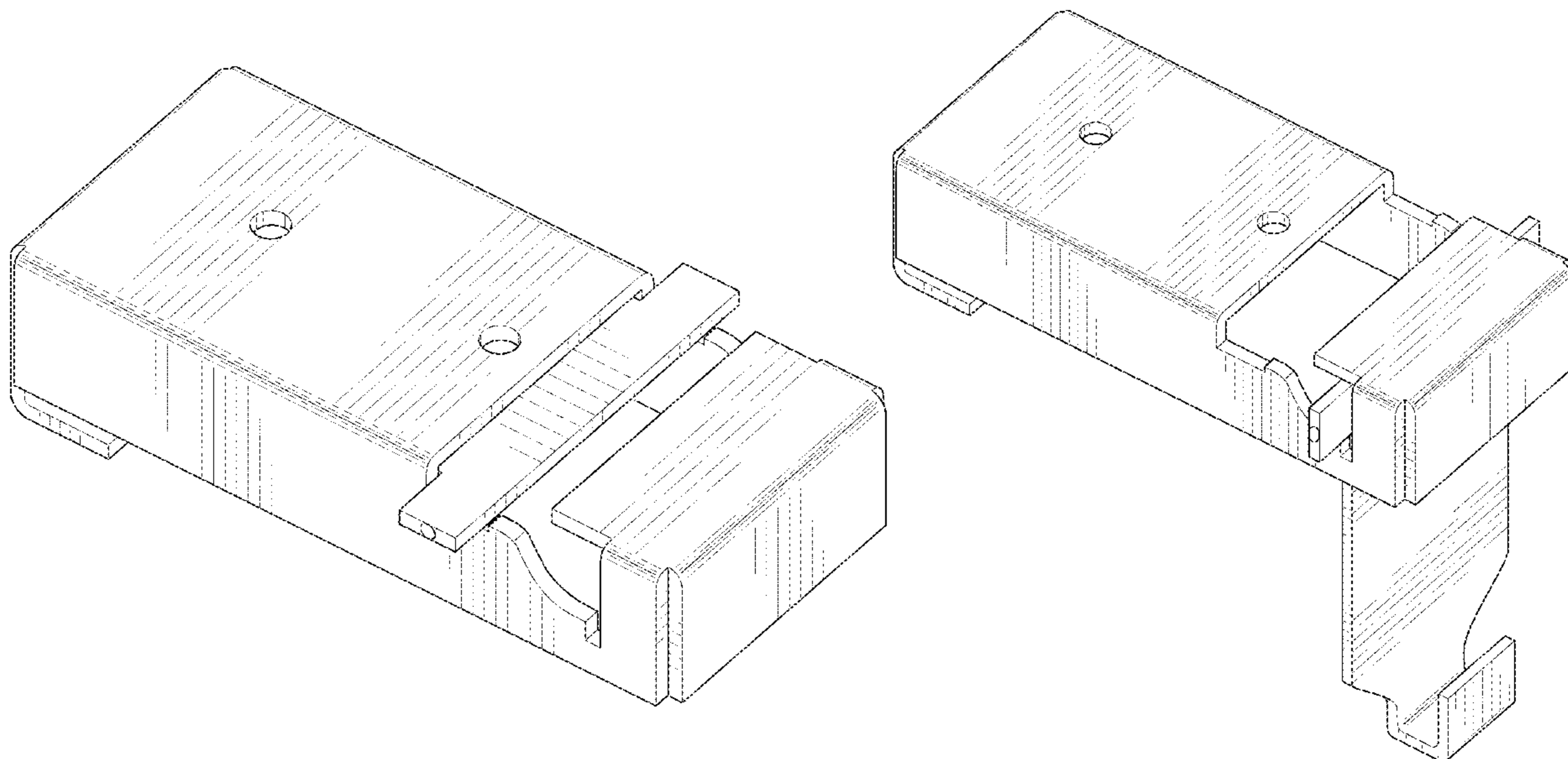
(57) **CLAIM**

The ornamental design for a folding hanger, as shown and
described.

DESCRIPTION

FIG. 1 is a perspective view of a folding hanger of our new
design in a folded orientation.
FIG. 2 is a right side view thereof.
FIG. 3 is a left side view thereof.
FIG. 4 is a front plan view thereof.
FIG. 5 is a bottom view thereof.
FIG. 6 is a top view thereof.
FIG. 7 is a rear plan view thereof.
FIG. 8 is a perspective view thereof as the folding hanger is
being transitioned from the folded orientation to an unfolded
orientation; and,
FIG. 9 is a perspective view thereof in the unfolded orien-
tation.

1 Claim, 6 Drawing Sheets



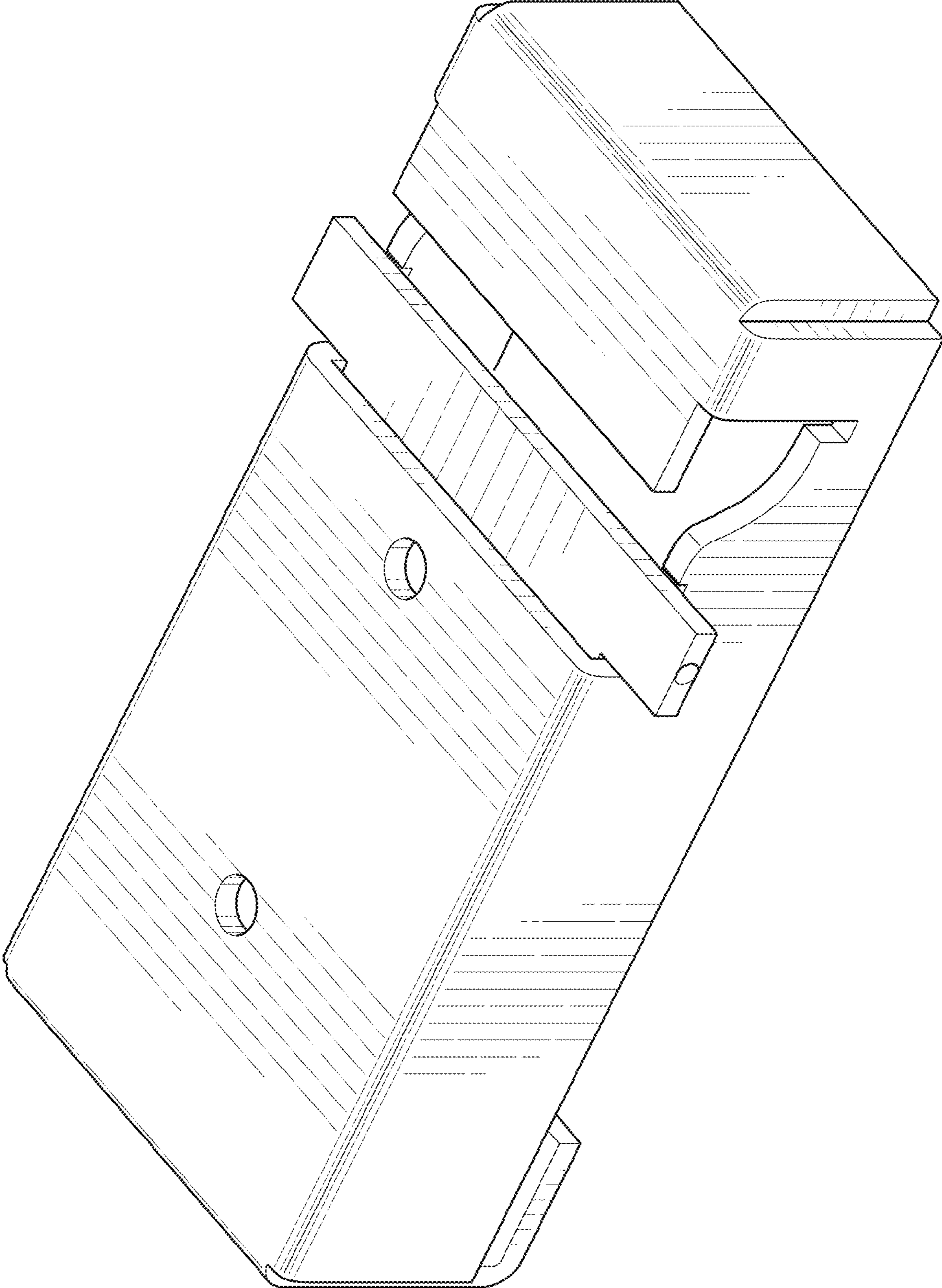


FIG. 1

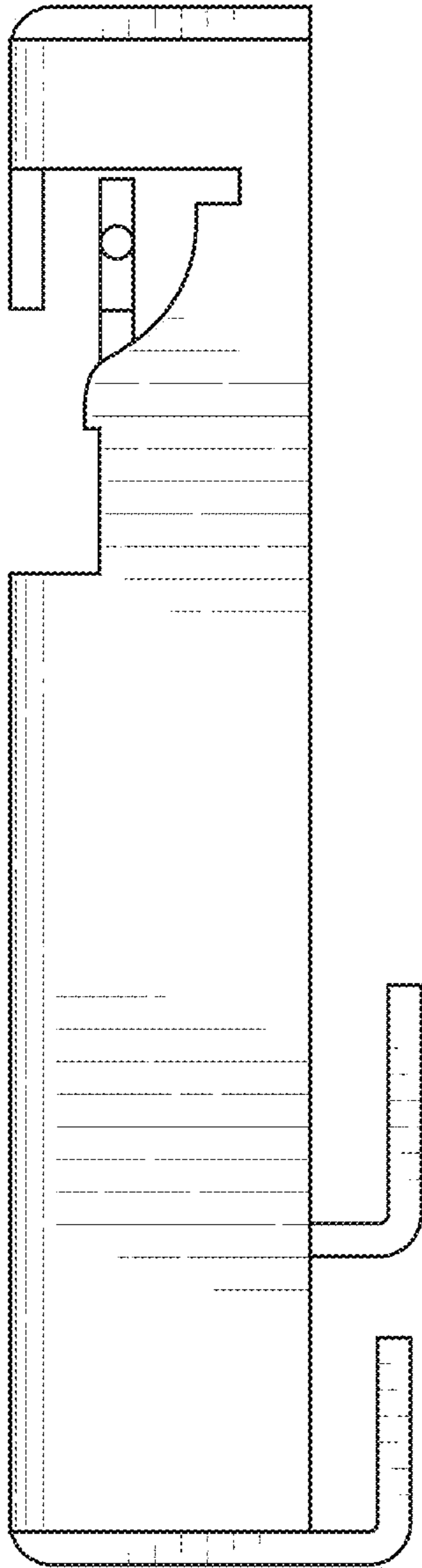


FIG. 2

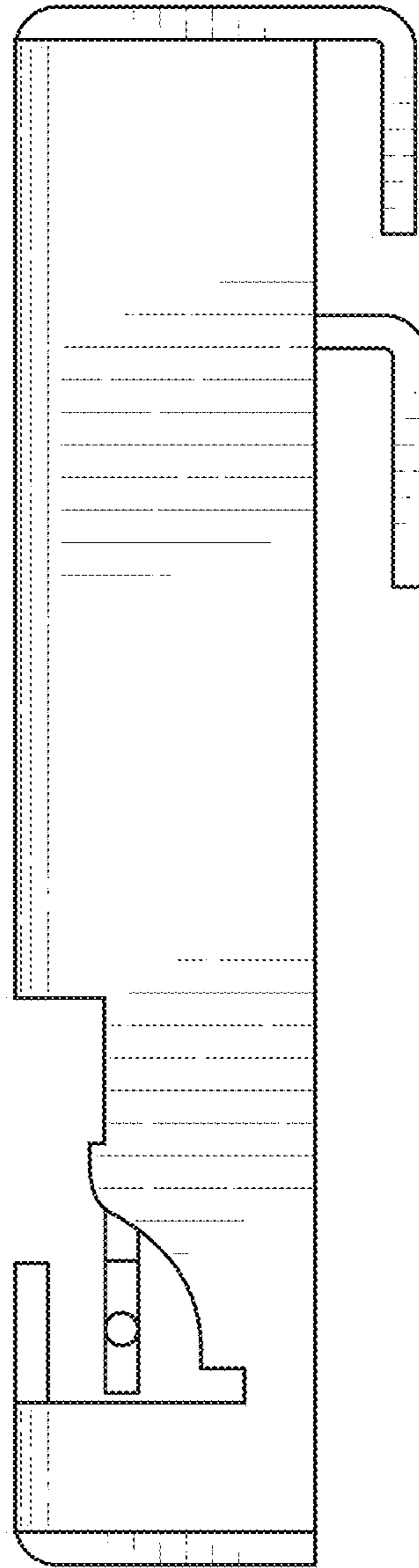


FIG. 3

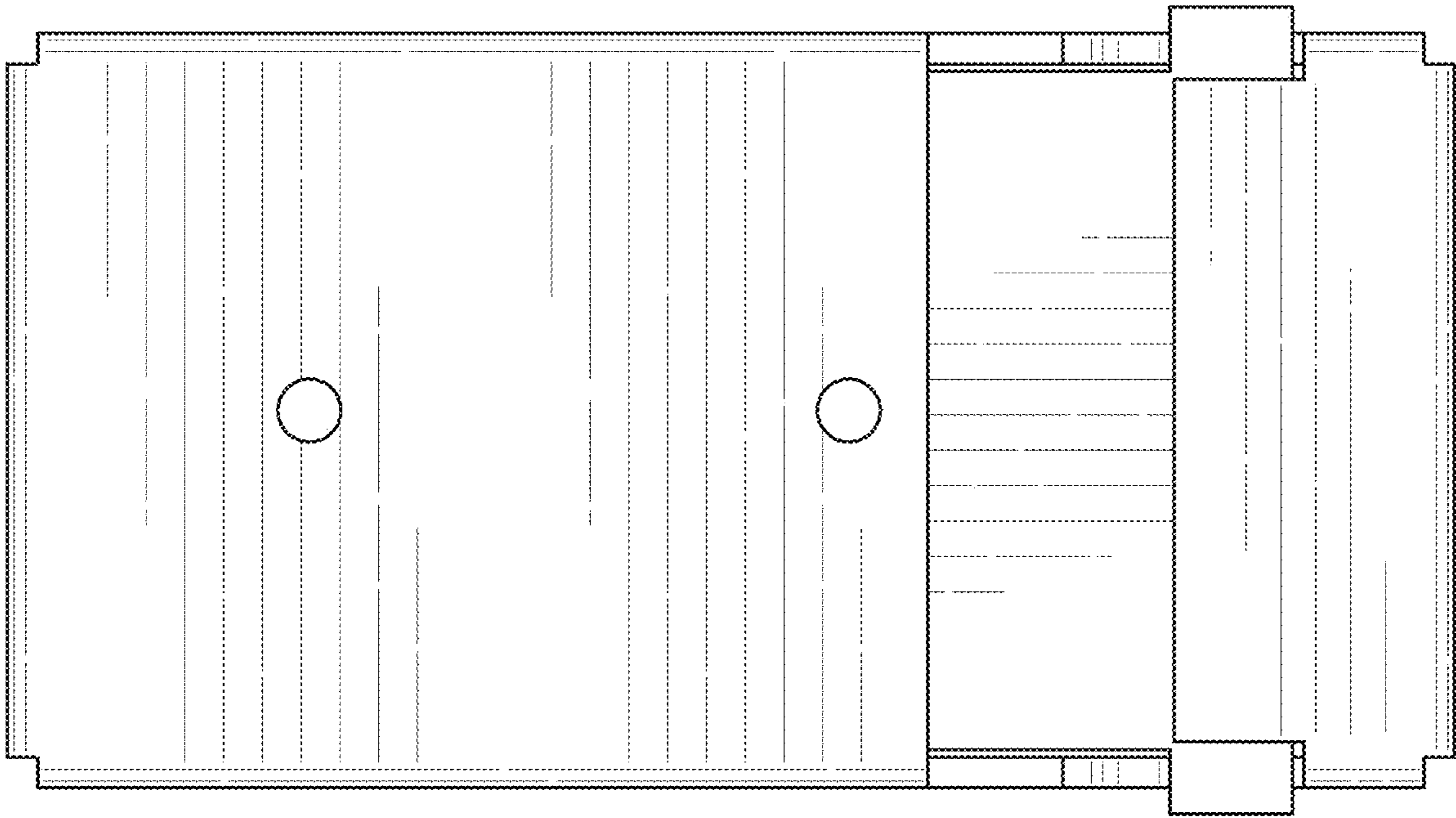


FIG. 4

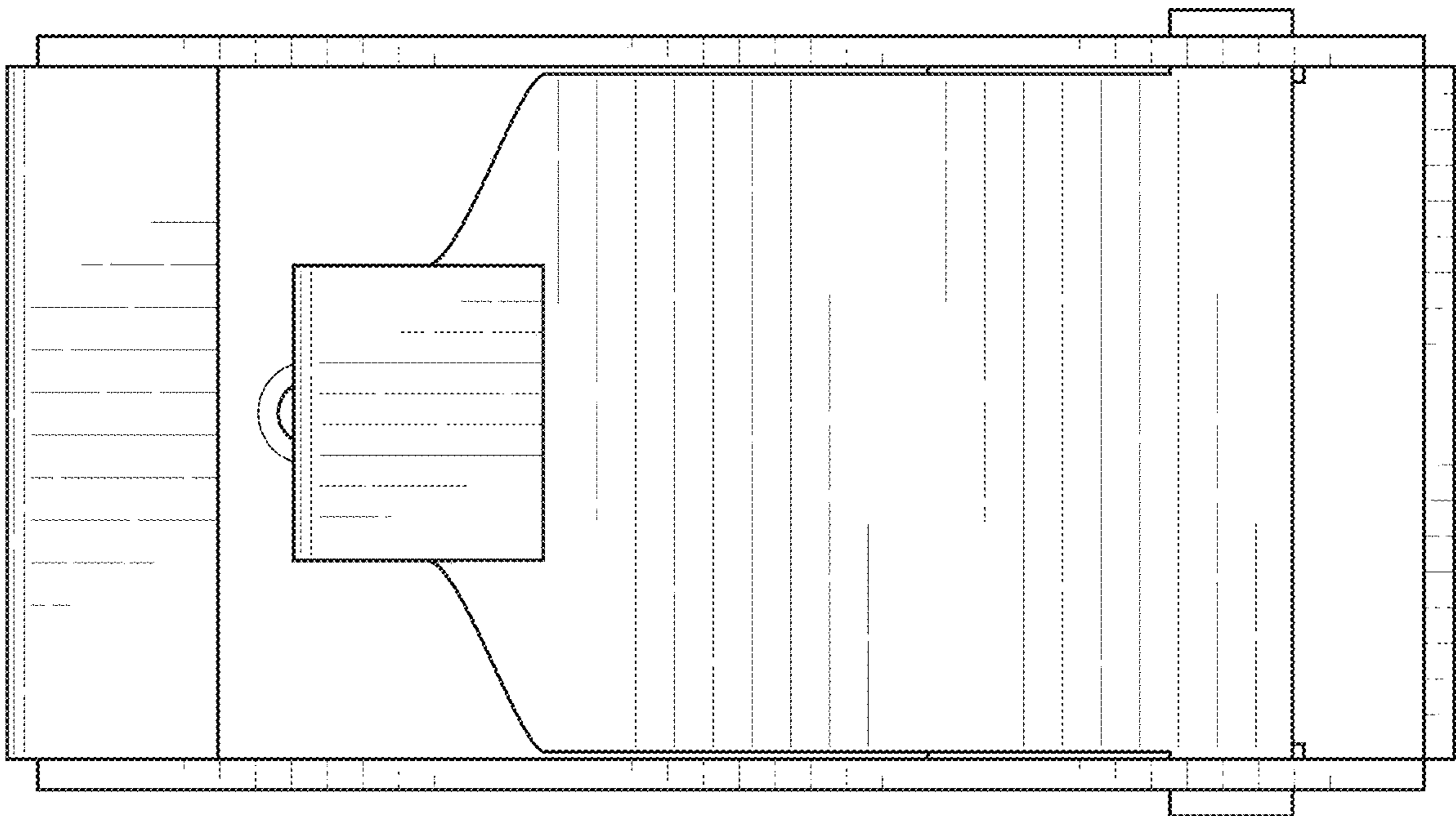


FIG. 5

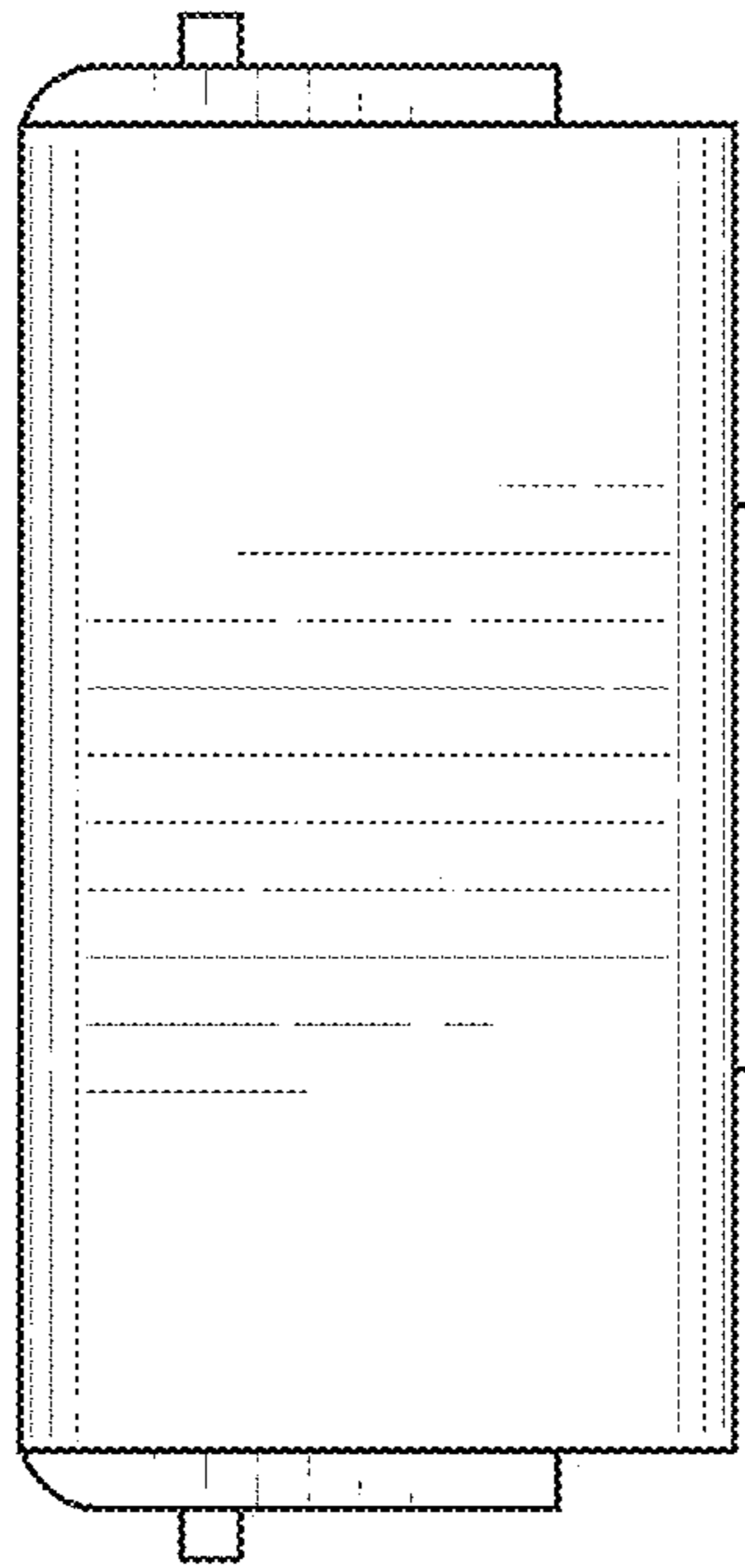


FIG. 7

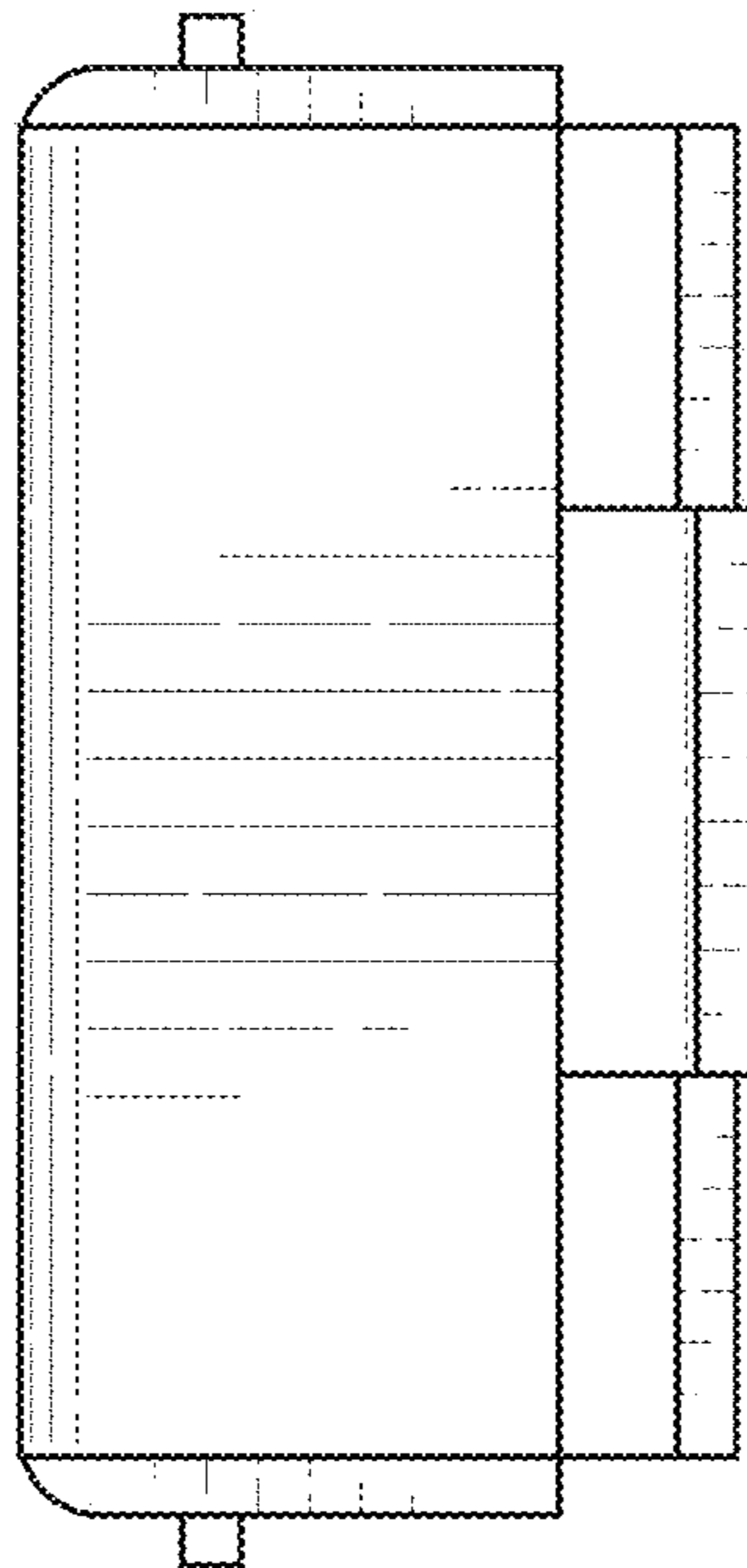


FIG. 6

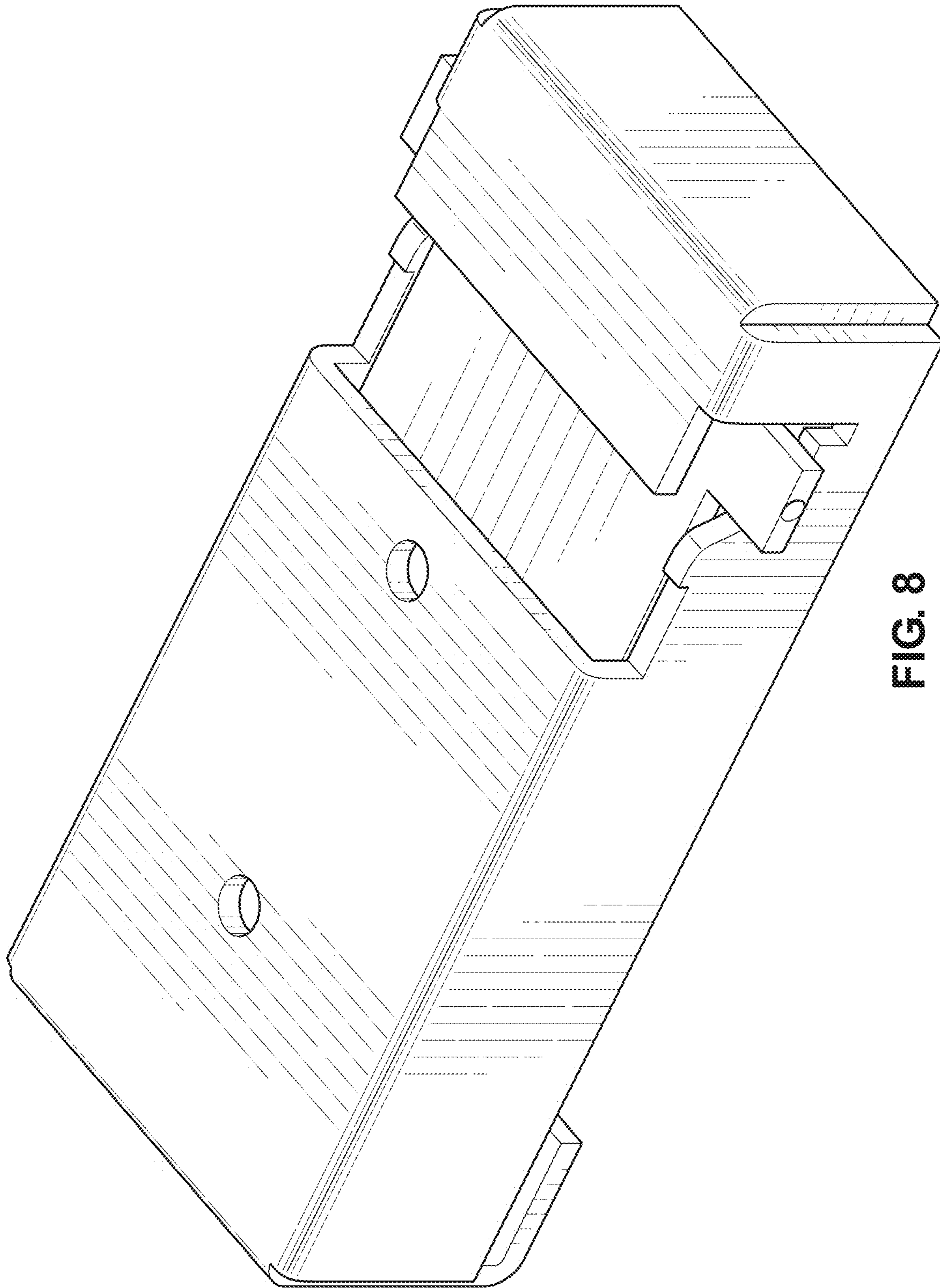


FIG. 8

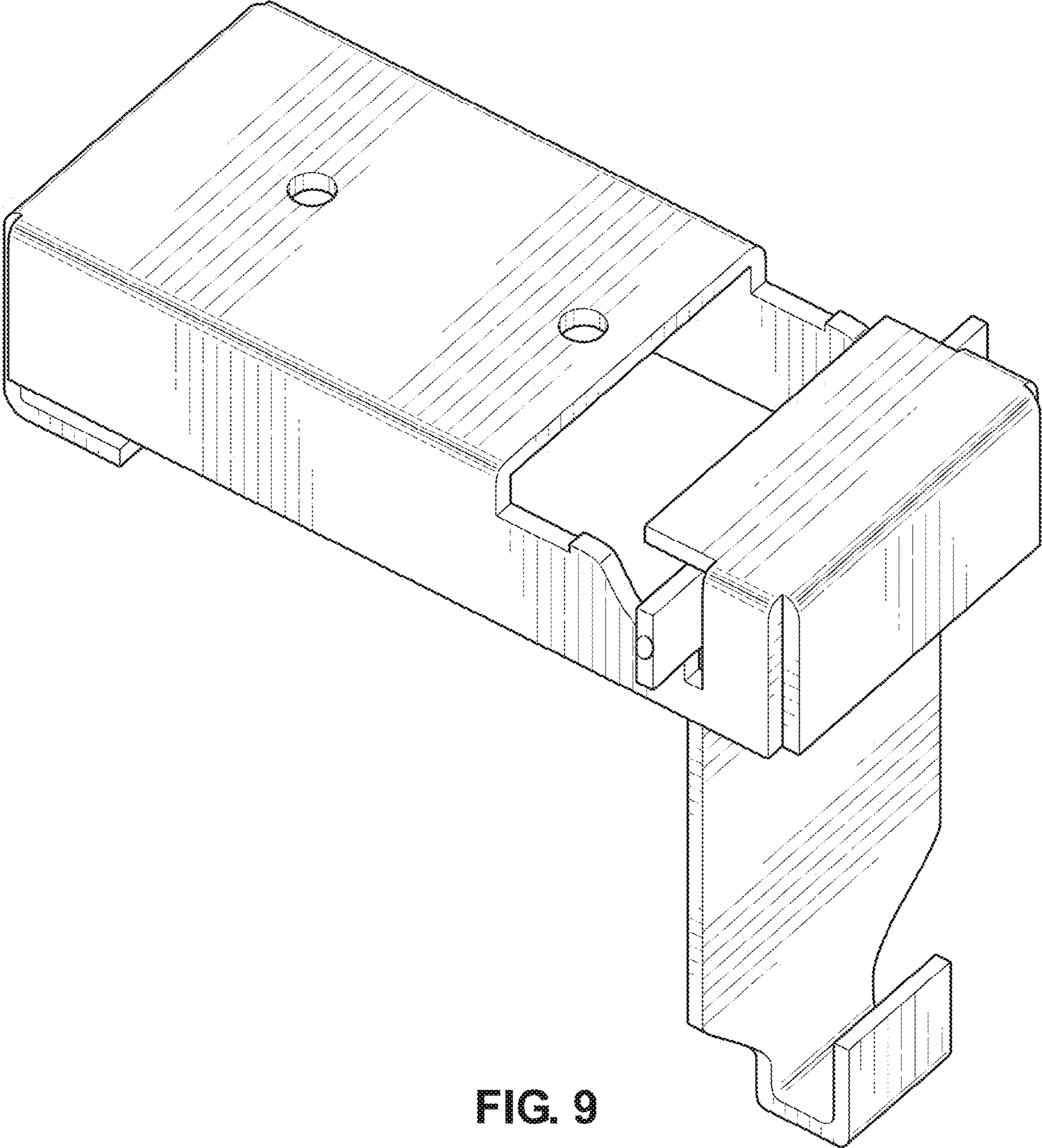


FIG. 9