



US00D987307S

(12) **United States Design Patent**
Peng

(10) **Patent No.:** **US D987,307 S**

(45) **Date of Patent:** **** May 30, 2023**

(54) **READING STAND**

(71) Applicant: **BOOK STAND LLC**, Denver, CO
(US)

(72) Inventor: **Ning Peng**, Ganzhou (CN)

(73) Assignee: **BOOK STAND LLC**, Denver, CO
(US)

(**) Term: **15 Years**

(21) Appl. No.: **29/836,543**

(22) Filed: **Apr. 27, 2022**

(30) **Foreign Application Priority Data**

Mar. 29, 2022 (CN) 202230167651.5

(51) **LOC (14) Cl.** **06-06**

(52) **U.S. Cl.**
USPC **D6/700**

(58) **Field of Classification Search**
USPC D6/406.1, 406.3, 406.4, 698, 700, 701,
D6/691.4, 692.3, 708.17; D19/90, 91
CPC A47B 23/042; A47B 23/043; A47B 19/06;
A47B 23/007; A47B 2220/0094; A47B
2023/047; A47B 23/00; A47B 2220/0016;
A47B 23/06

See application file for complete search history.

(56) **References Cited**

U.S. PATENT DOCUMENTS

- 2,013,253 A * 9/1935 Richards B41J 29/15
D19/91
- 2,691,239 A * 10/1954 McCollum A47B 23/043
248/444
- 2,743,550 A * 5/1956 Felice A47B 23/043
248/457
- 2,807,908 A * 10/1957 Lykes A47B 23/06
248/451

- 3,894,709 A * 7/1975 Weir A47B 23/007
248/445
 - 4,378,102 A * 3/1983 Portis, Jr. A47B 23/06
D6/310
 - 4,957,261 A * 9/1990 Cirami B41J 29/15
248/918
 - D336,708 S * 6/1993 Boughey D34/21
 - D415,635 S * 10/1999 Bengtsson D6/684
 - 6,327,982 B1 * 12/2001 Jackson A47B 23/046
108/142
 - 6,776,385 B1 * 8/2004 Chang A47B 23/043
248/910
 - D674,805 S * 1/2013 Vincent D14/447
 - D696,675 S * 12/2013 Delrue D14/447
 - 9,743,759 B1 * 8/2017 Ramirez F16M 11/28
- (Continued)

OTHER PUBLICATIONS

Wishacc book stand, posted at amazon.com, posted on May 16, 2022, site visited Jan. 18, 2023. online, available from internet: <https://www.amazon.com/dp/B0B1DKS6DH> (Year: 2022).*

(Continued)

Primary Examiner — Catherine Ho

(74) *Attorney, Agent, or Firm* — Jeenam Park

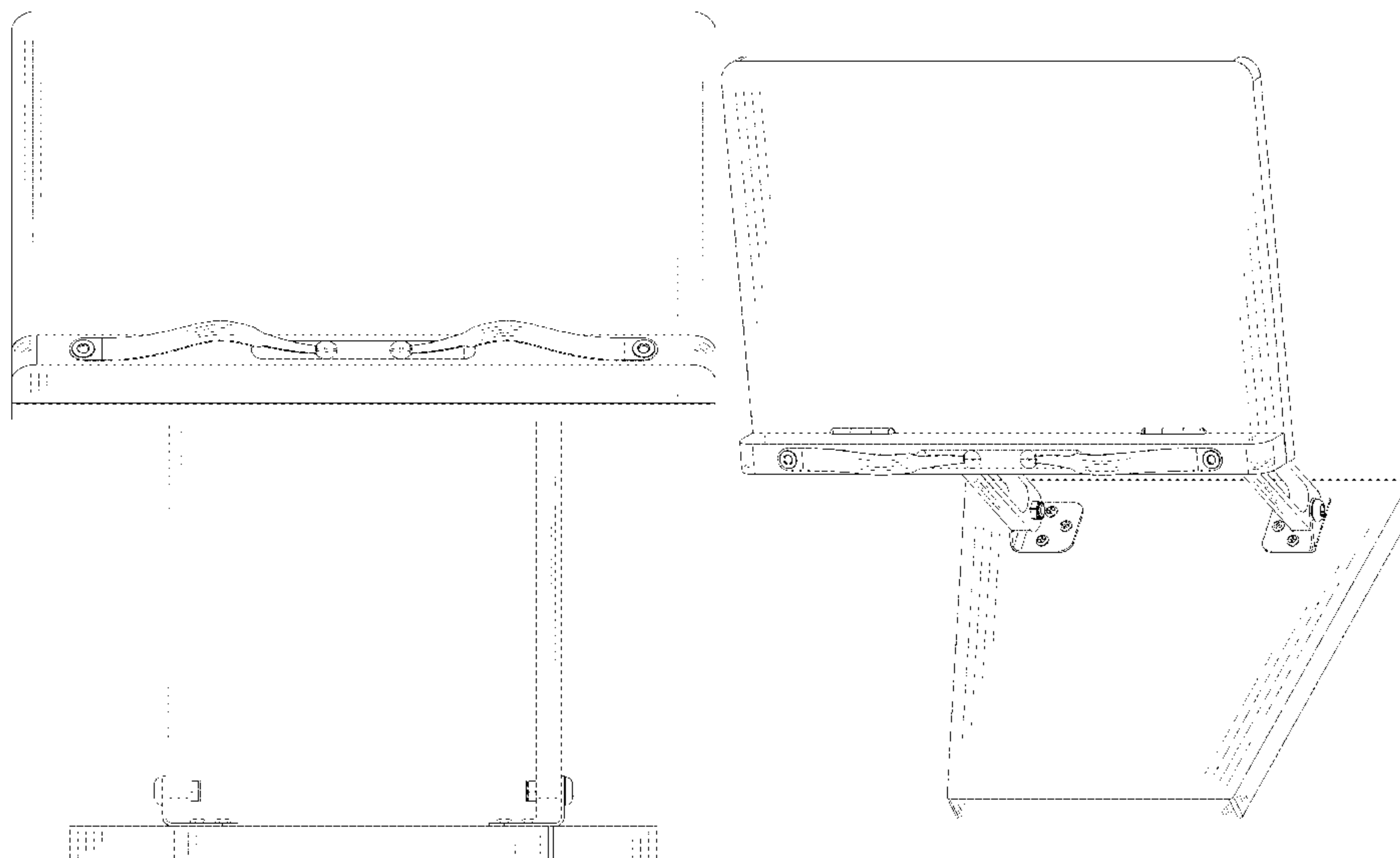
(57) **CLAIM**

The ornamental design for a reading stand, as shown and described.

DESCRIPTION

FIG. 1 is a front view of a reading stand, showing my new design;
 FIG. 2 is a rear view thereof;
 FIG. 3 is a left side view thereof;
 FIG. 4 is a right side view thereof;
 FIG. 5 is a top plan view thereof; and
 FIG. 6 is a bottom plan view thereof.
 FIG. 7 is a perspective view thereof; and,
 FIG. 8 is another perspective view thereof.

1 Claim, 8 Drawing Sheets



(56)

References Cited

U.S. PATENT DOCUMENTS

2006/0016945 A1* 1/2006 Taylor A47B 19/06
248/371
2007/0045503 A1* 3/2007 Samari A47B 23/04
248/445
2011/0147560 A1* 6/2011 Camarillo A47B 13/023
108/150

OTHER PUBLICATIONS

Factur book stand, posted at amazon.com, posted on Jun. 24, 2022,
site visited Jan. 18, 2023. online, available from internet: [https://
www.amazon.com/dp/B0B51GF18Q/](https://www.amazon.com/dp/B0B51GF18Q/) (Year: 2022).*

Supedesk book stand, posted at amazon.com, posted on Feb. 14,
2022, site visited Jan. 18, 2023. online, available from internet:
https://www.amazon.com/dp/B09SFTR9G6 (Year: 2022).*

* cited by examiner

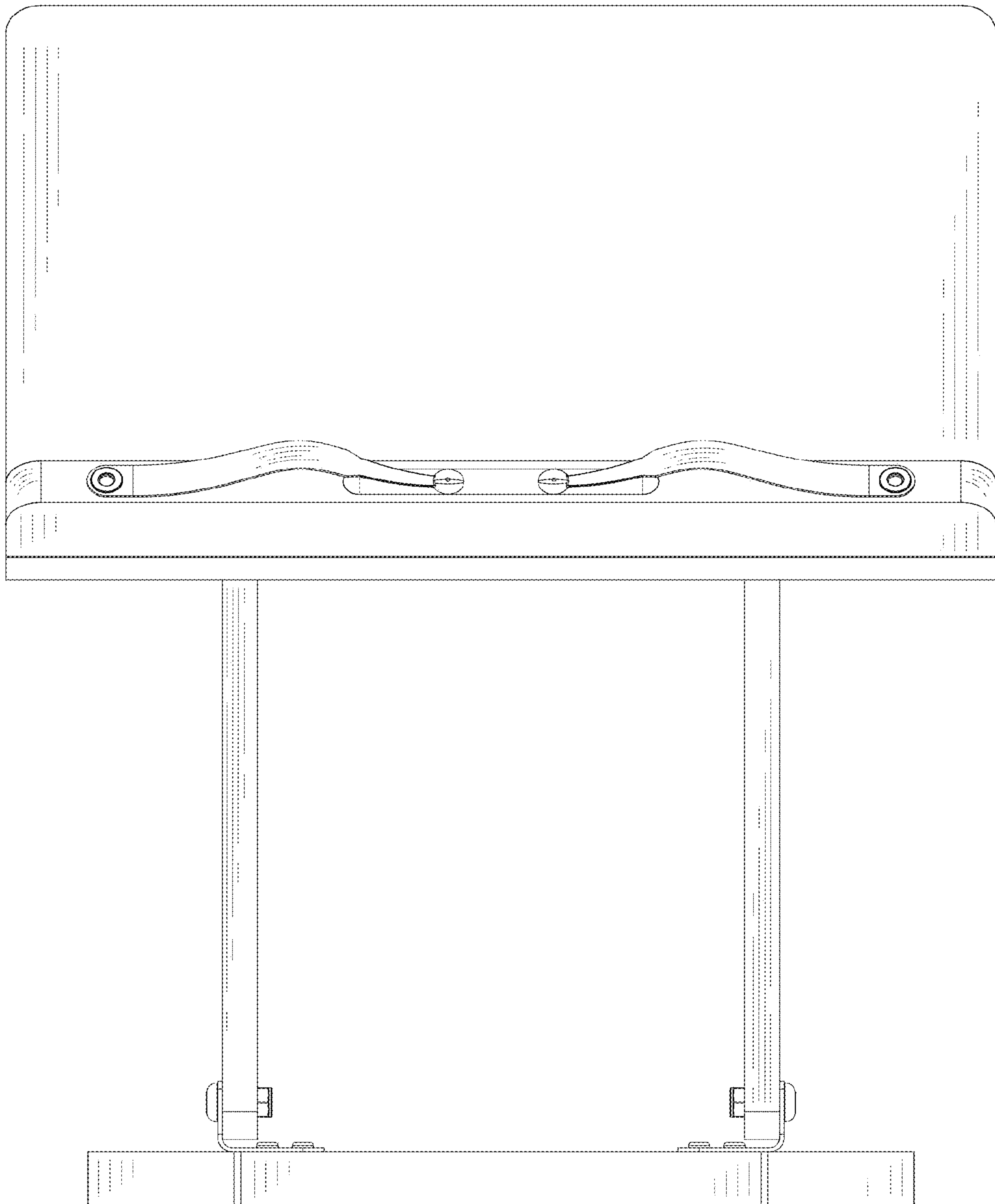


FIG. 1

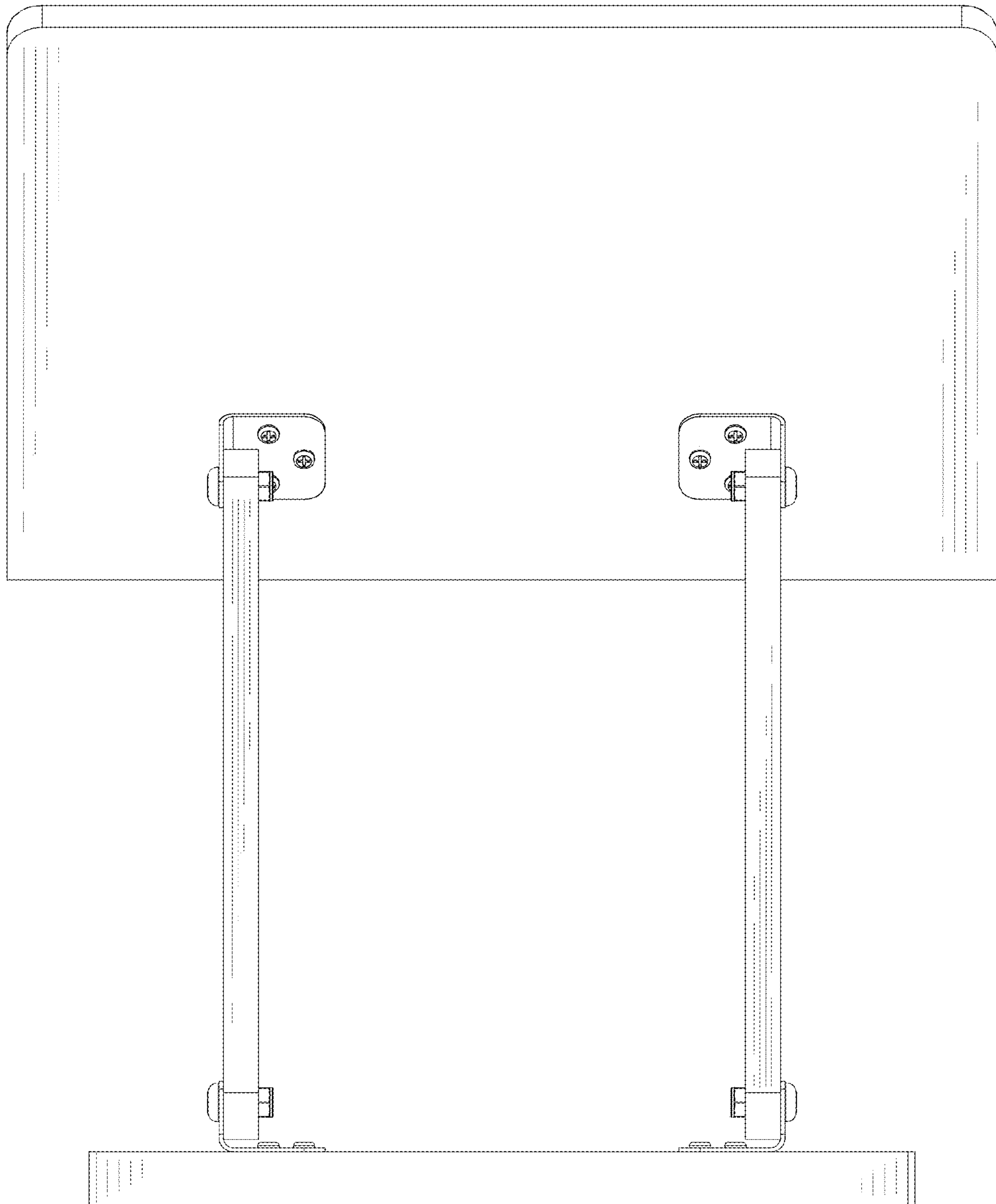


FIG. 2

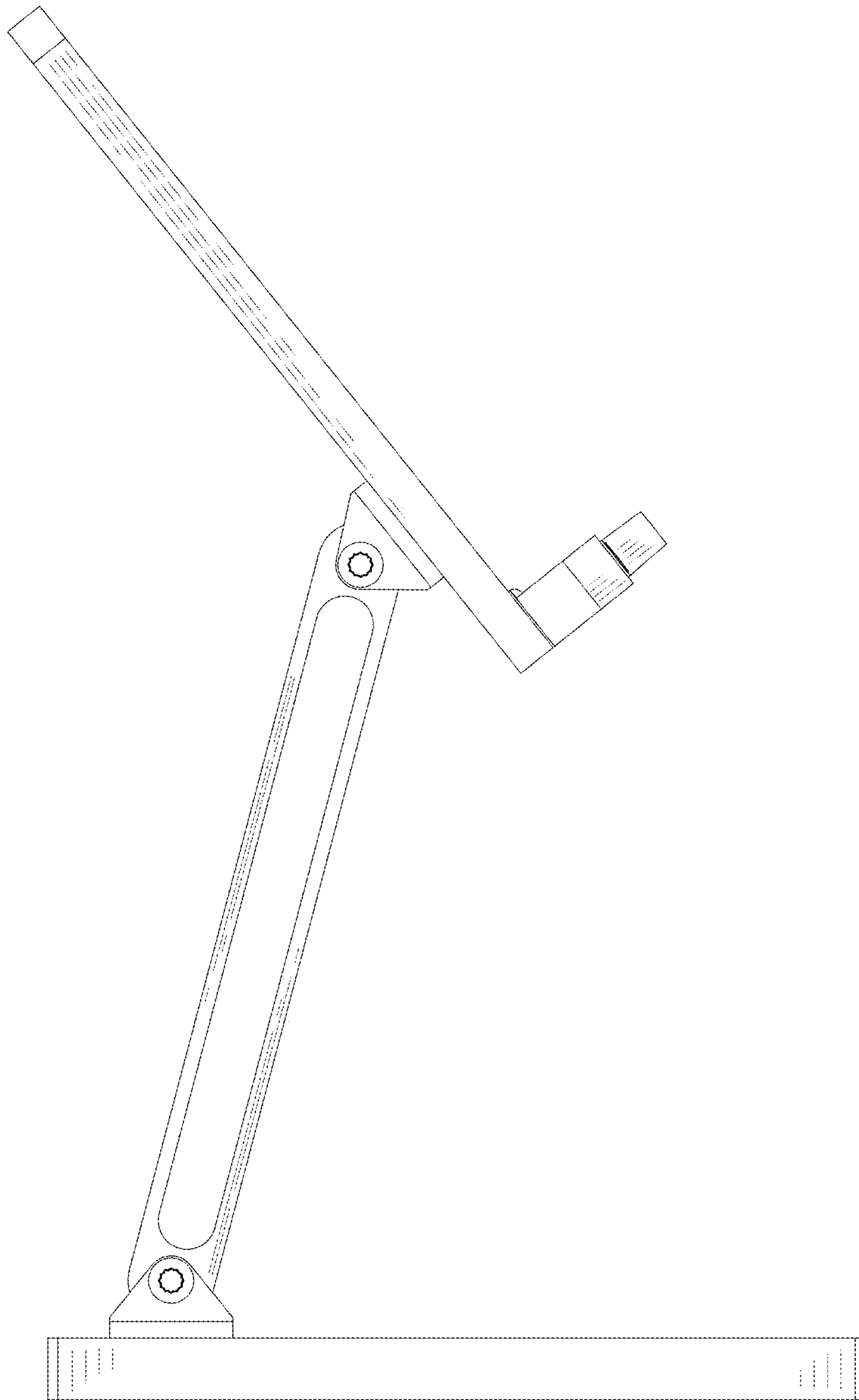


FIG. 3

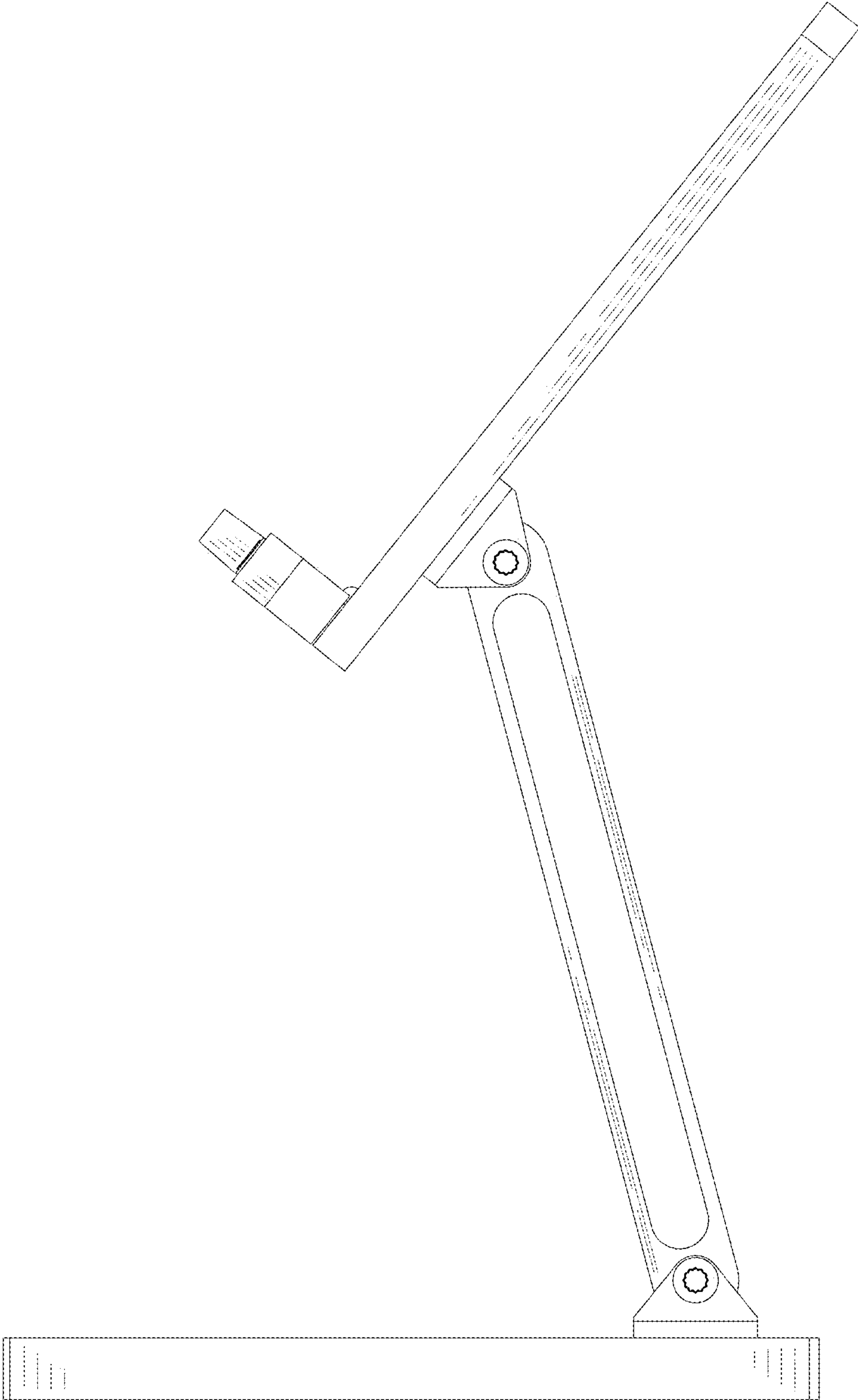


FIG. 4

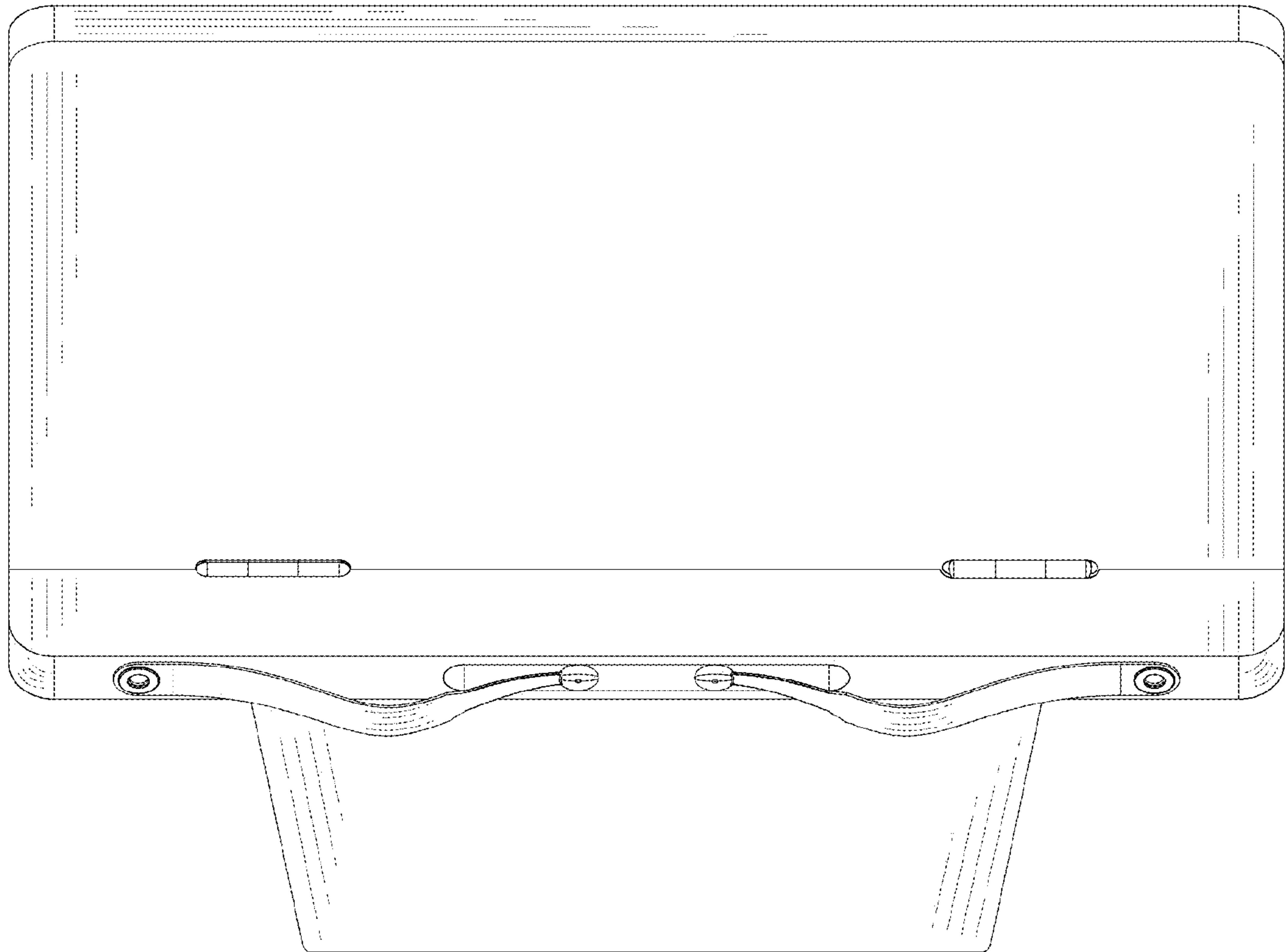


FIG. 5

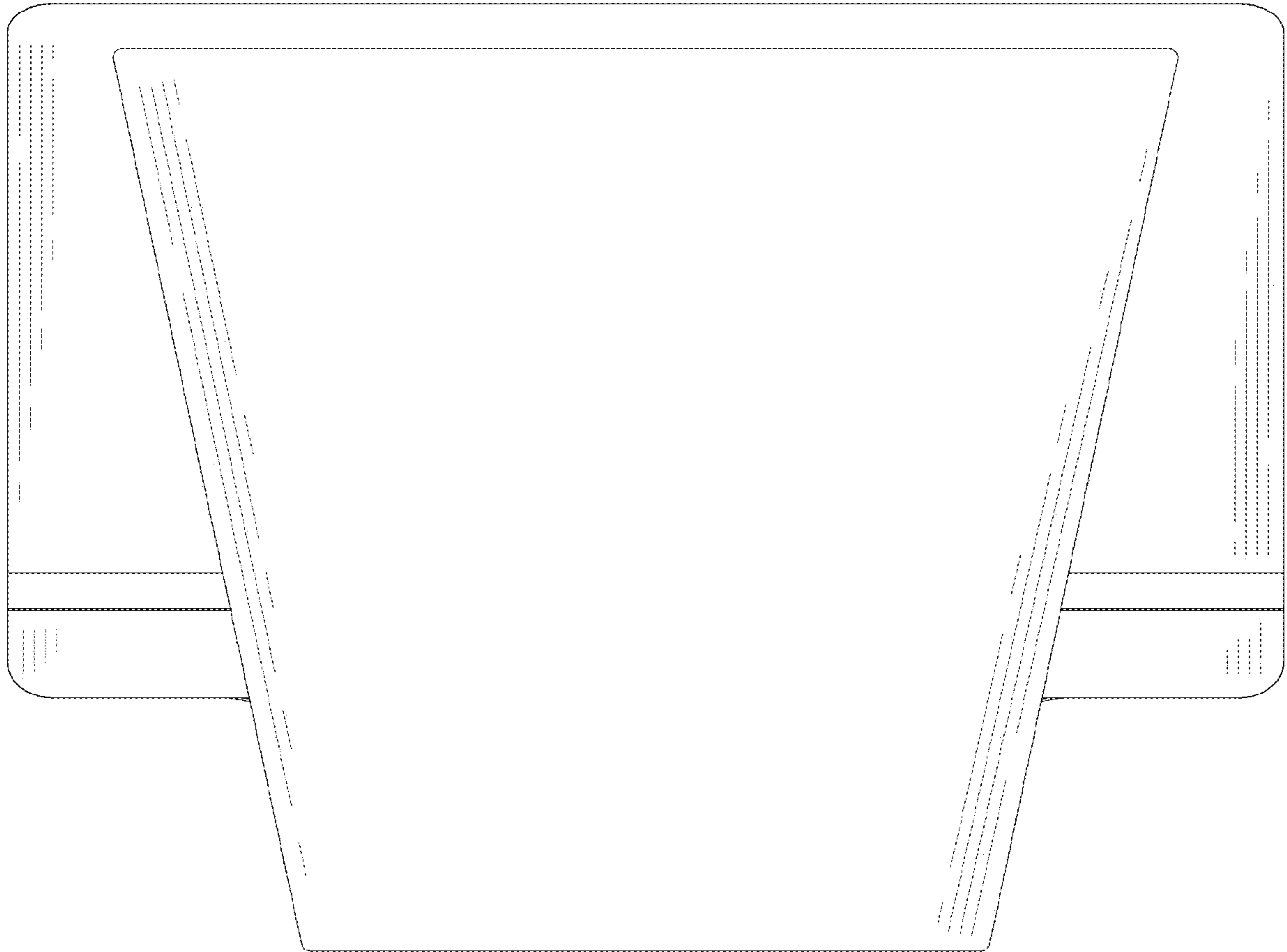


FIG. 6

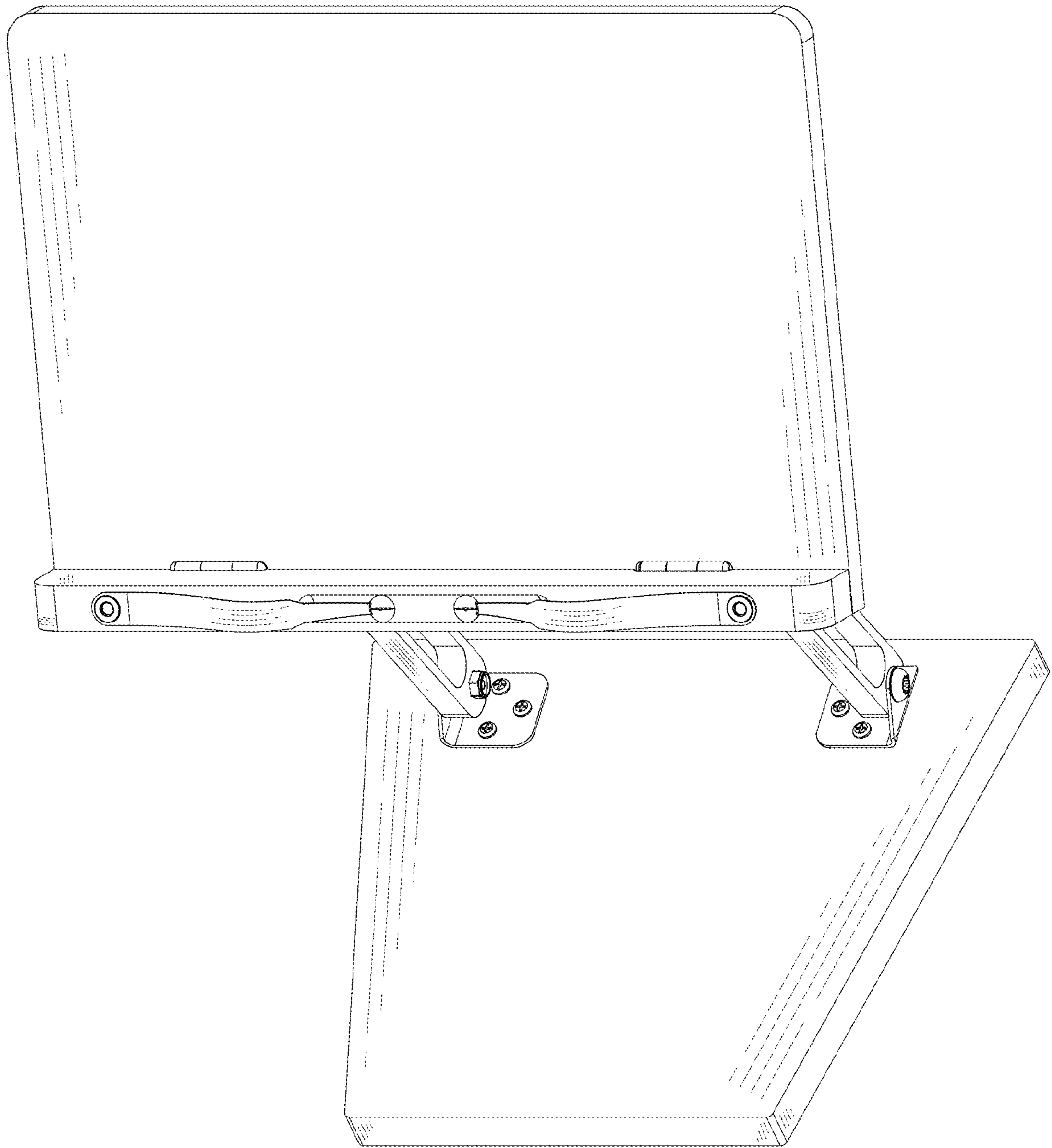


FIG. 7

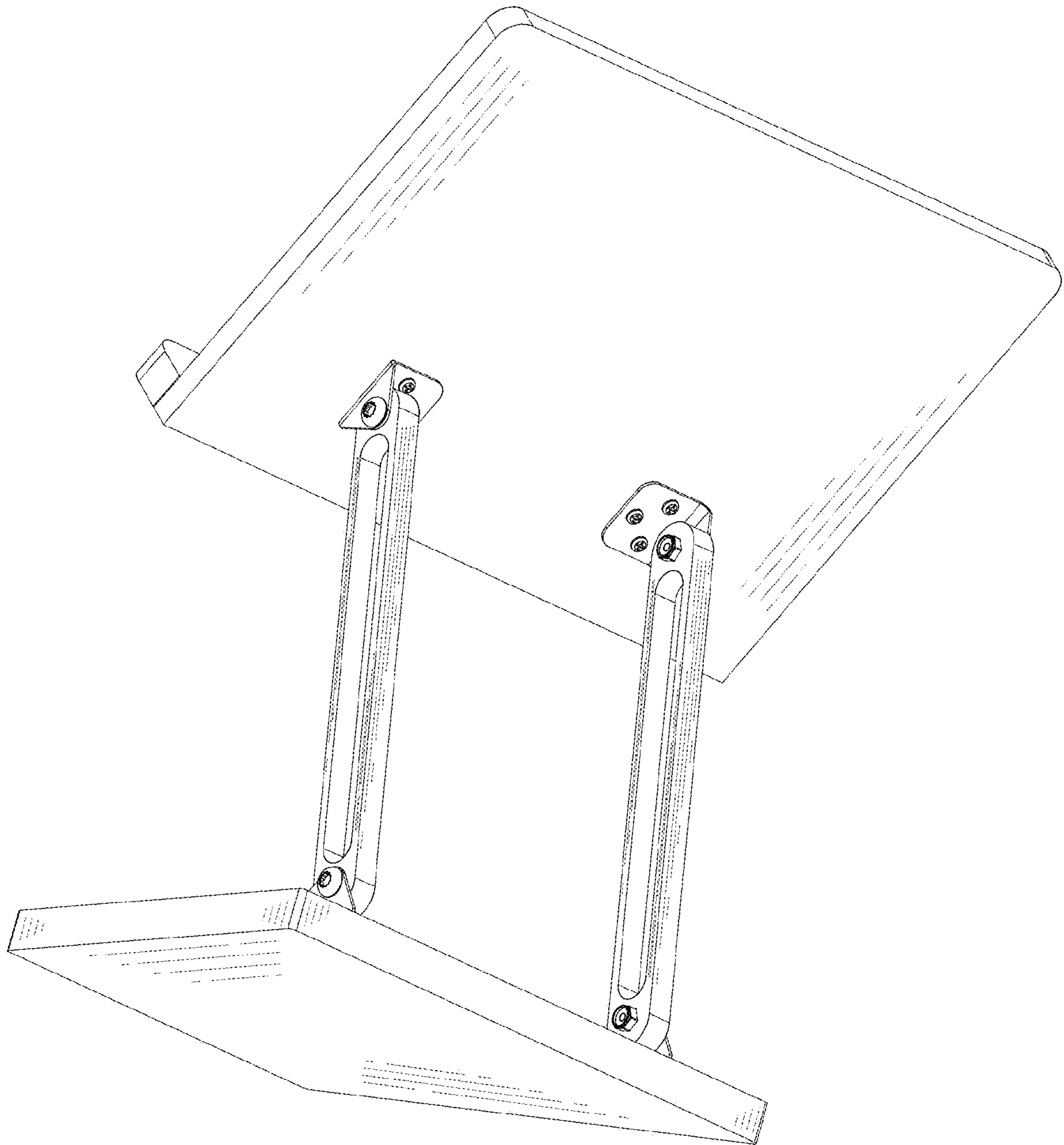


FIG. 8