



US00D987306S

(12) **United States Design Patent** (10) **Patent No.:** **US D987,306 S**  
**Fearing** (45) **Date of Patent:** **\*\* May 30, 2023**

(54) **SHAVING MIRROR BASE**  
(71) Applicant: **Daniel Fearing**, Glendale, CA (US)  
(72) Inventor: **Daniel Fearing**, Glendale, CA (US)  
(\*\*) Term: **15 Years**  
(21) Appl. No.: **29/755,470**  
(22) Filed: **Oct. 21, 2020**  
(51) **LOC (14) Cl.** ..... **06-07**  
(52) **U.S. Cl.**  
USPC ..... **D6/309**  
(58) **Field of Classification Search**  
USPC ..... D3/201, 203.2, 203.3, 203.4, 274, 275,  
D3/247; D6/300-314; D9/503-505;  
D28/4, 64.1, 64.2, 64.3, 64.6, 82;  
D7/624.1, 624.2; D11/4, 22, 26, 27, 28,  
D11/37; D8/396  
CPC ..... A45D 33/008; A45D 42/00; A45D 42/02;  
A45D 42/04; A45D 42/08; A47G 1/00;  
A47G 1/02; A47G 1/04; G02B 7/1822;  
G02B 7/198  
See application file for complete search history.

(56) **References Cited**  
U.S. PATENT DOCUMENTS  
D458,558 S \* 6/2002 Tschetter ..... D11/26  
D465,660 S \* 11/2002 Doeing ..... D6/310  
6,578,809 B1 \* 6/2003 Dimella ..... A47G 23/032  
6,682,198 B2 \* 1/2004 Mangano ..... A45D 42/16  
248/492  
D531,036 S \* 10/2006 Bried ..... D9/504  
D665,252 S \* 8/2012 Mulready ..... D9/418  
D724,424 S \* 3/2015 Wilk ..... D8/396  
D746,514 S \* 12/2015 Lambridis ..... A45D 33/006  
D28/4  
D792,168 S \* 7/2017 Gordon ..... D7/624.2

D935,201 S \* 11/2021 Fearing ..... D6/309  
2014/0137600 A1 \* 5/2014 Rich ..... A44C 5/0069  
63/11  
2022/0079323 A1 \* 3/2022 Fearing ..... A45D 42/16

**OTHER PUBLICATIONS**

Pocket Keister Shower Shaving Mirror [online], [site visited Jul. 26, 2022]. Available from internet, URL: <[https://www.amazon.com/Pocket-Keister-Shower-Shaving-Scratch/dp/B09YGGRJXR/ref=sr\\_1\\_7?crd=1N30TSZZ8IQX7&keywords=shaving+gel+mirror&qid=1658925524&prefix=shaving+gel+mirror%2Caps%2C174&sr=8-7](https://www.amazon.com/Pocket-Keister-Shower-Shaving-Scratch/dp/B09YGGRJXR/ref=sr_1_7?crd=1N30TSZZ8IQX7&keywords=shaving+gel+mirror&qid=1658925524&prefix=shaving+gel+mirror%2Caps%2C174&sr=8-7)> (Year: 2022).\*

\* cited by examiner

*Primary Examiner* — Cynthia Ramirez  
*Assistant Examiner* — Xavier Marti-Santos

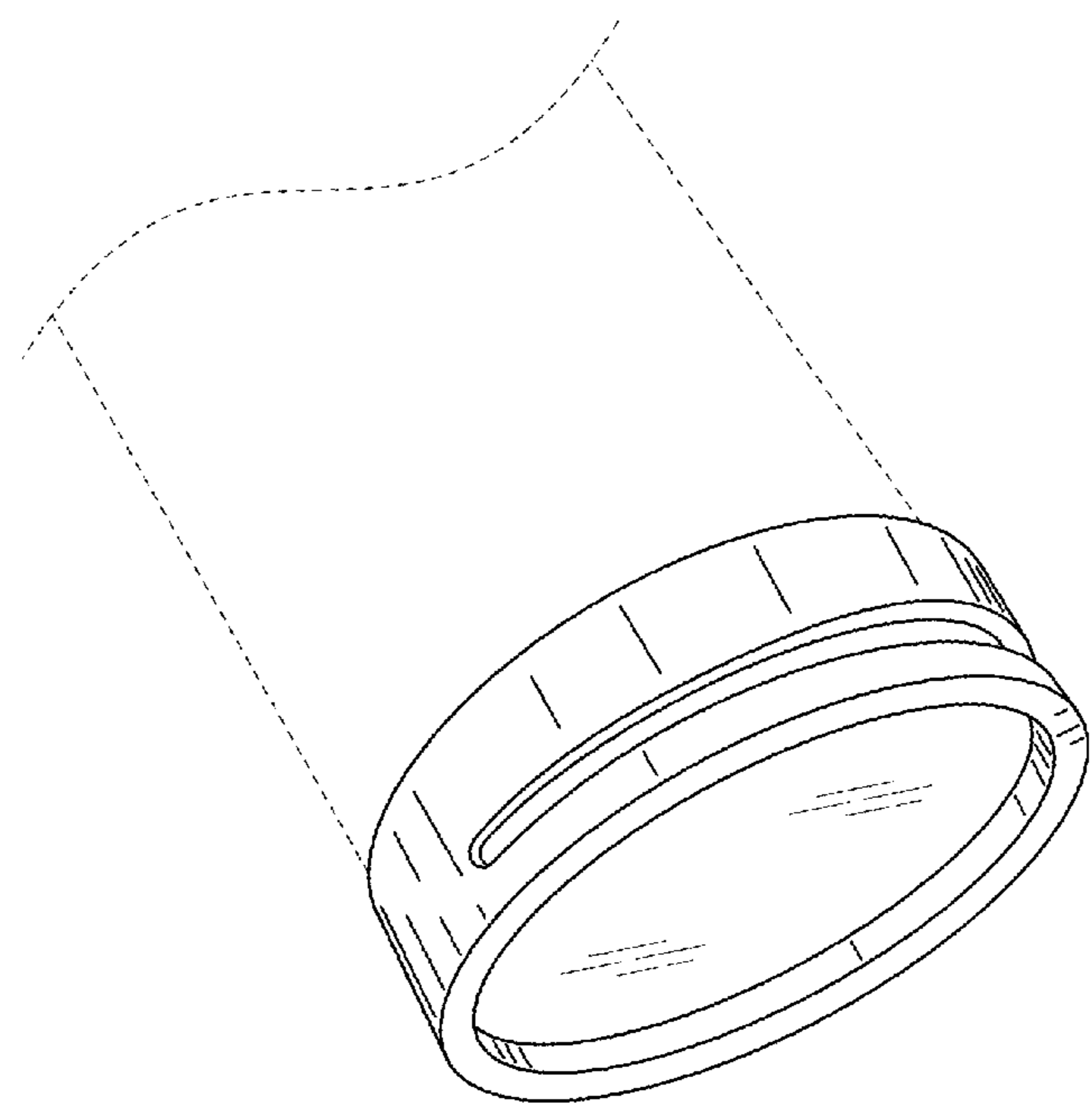
(57) **CLAIM**

The ornamental design for a shaving mirror base, as shown and described.

**DESCRIPTION**

FIG. 1 is a bottom left perspective view of a shaving mirror base.  
FIG. 2 is a bottom perspective view thereof.  
FIG. 3 is a bottom right perspective view thereof.  
FIG. 4 top right perspective view thereof.  
FIG. 5 is a top plan view thereof.  
FIG. 6 is a bottom plan view thereof.  
FIG. 7 is a front view thereof; and,  
FIG. 8 is a back view thereof.  
The broken lines in the figures are to show environment and form no part of the claimed design.

**1 Claim, 8 Drawing Sheets**



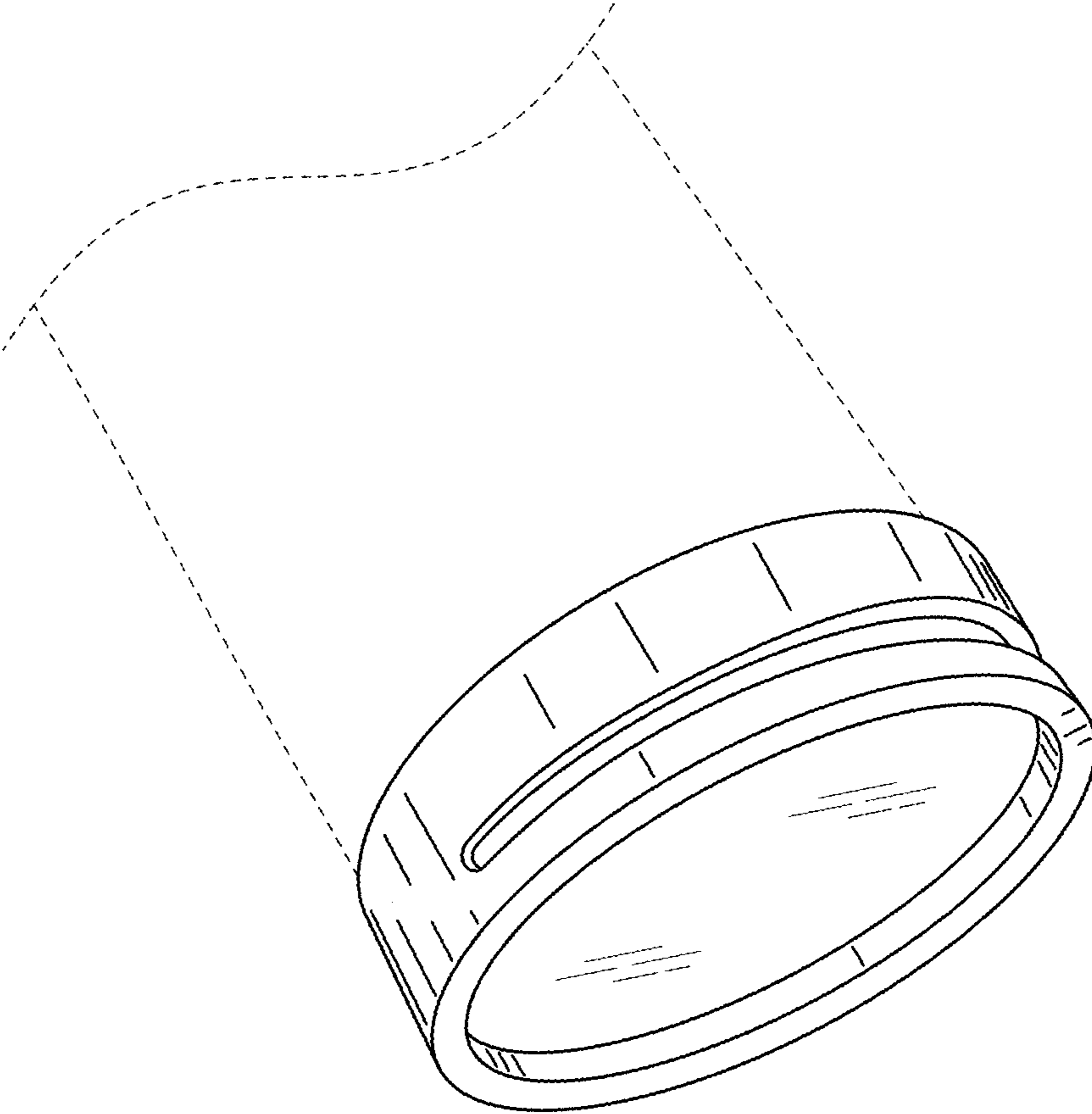


FIG. 1

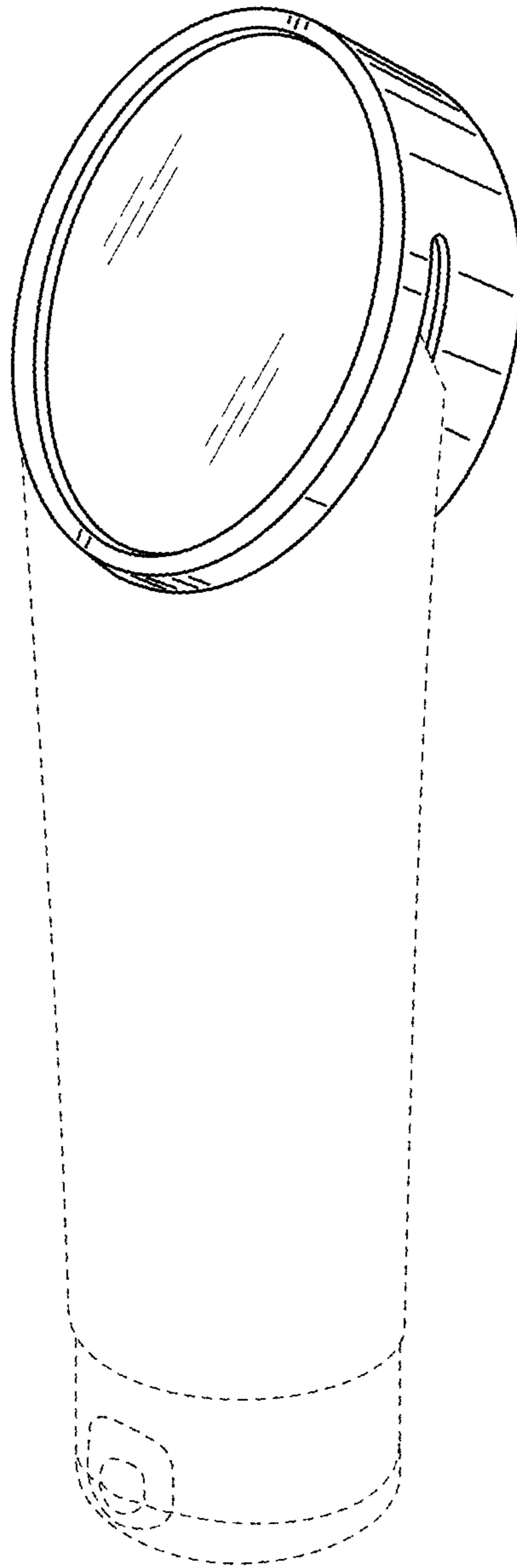


FIG. 2

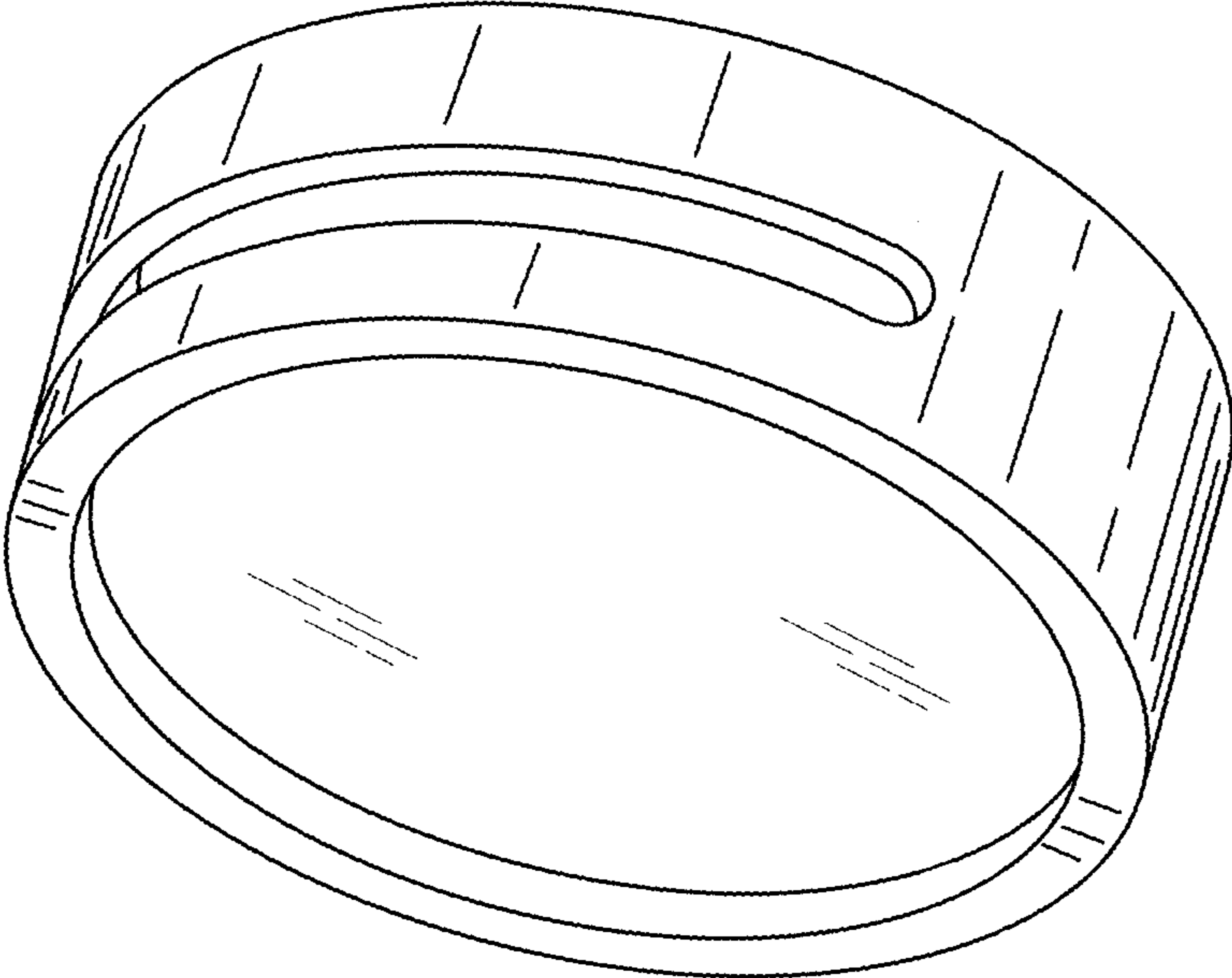


FIG. 3

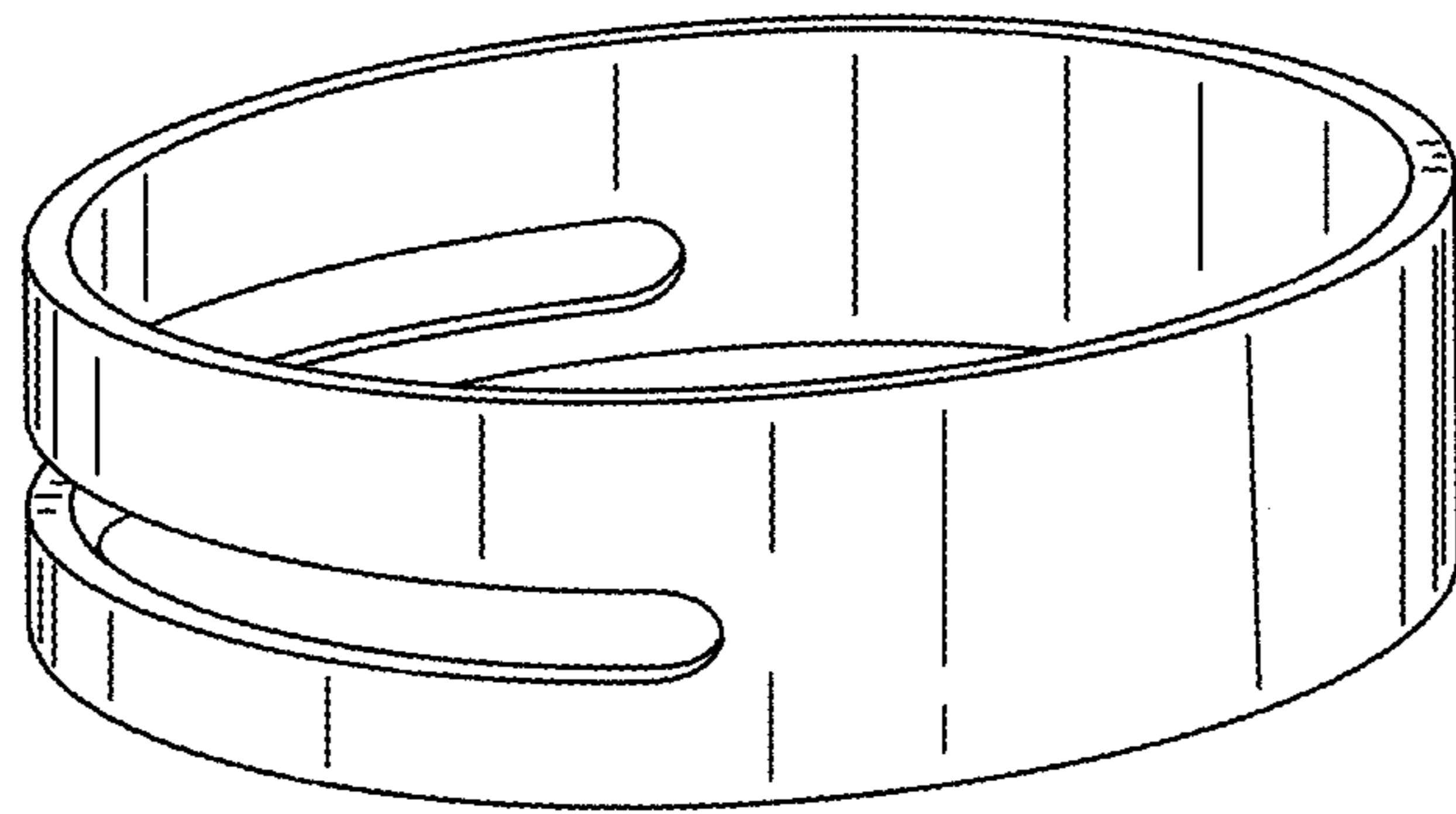


FIG. 4

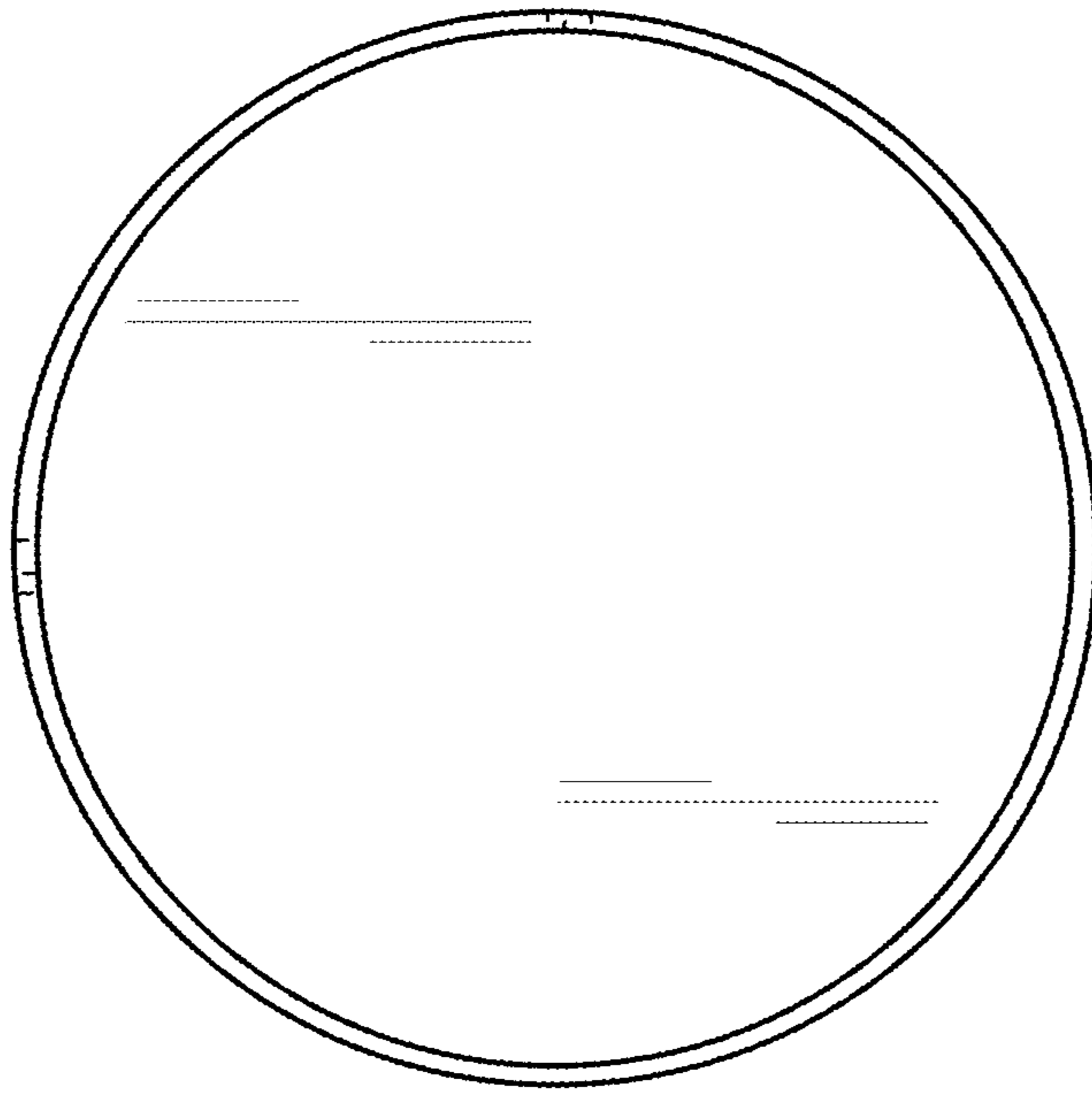


FIG. 5

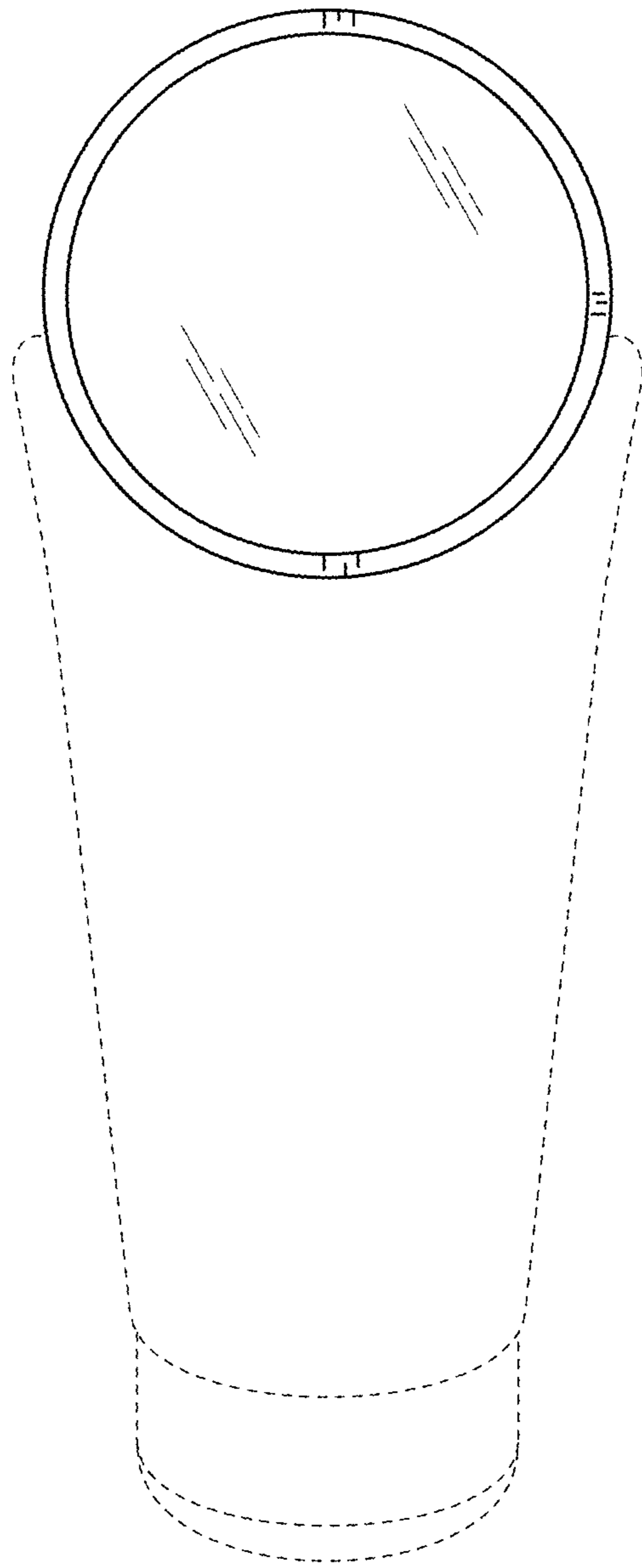


FIG. 6

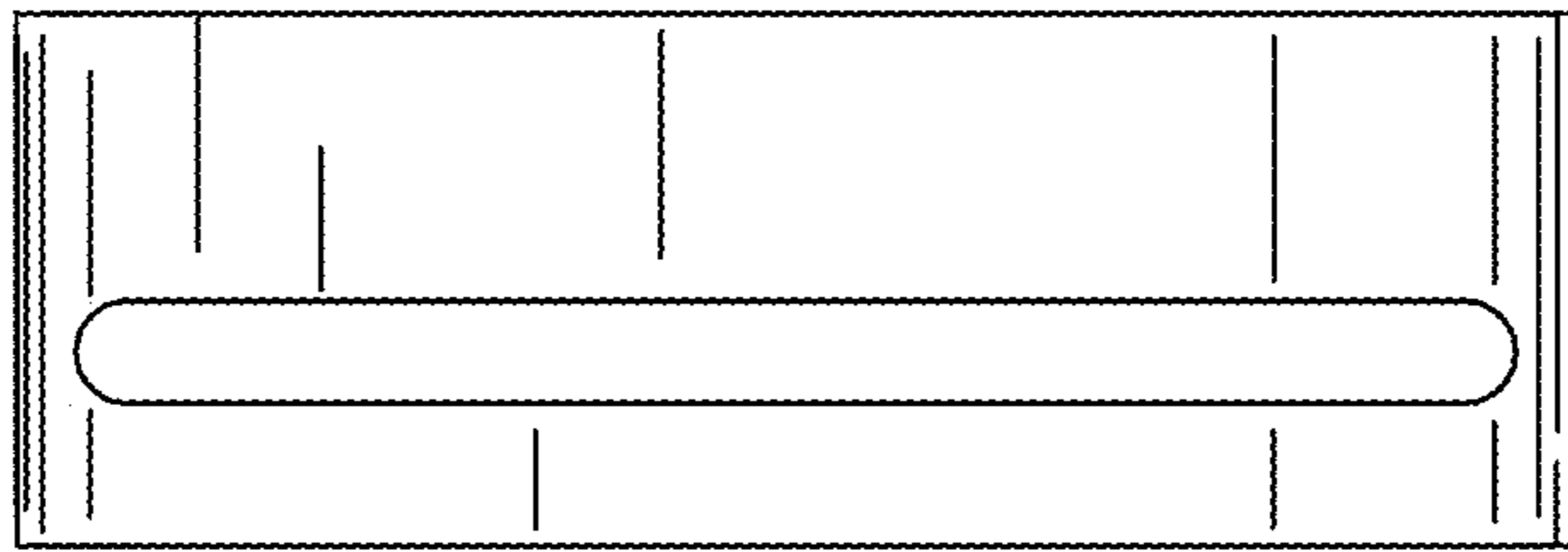


FIG. 7



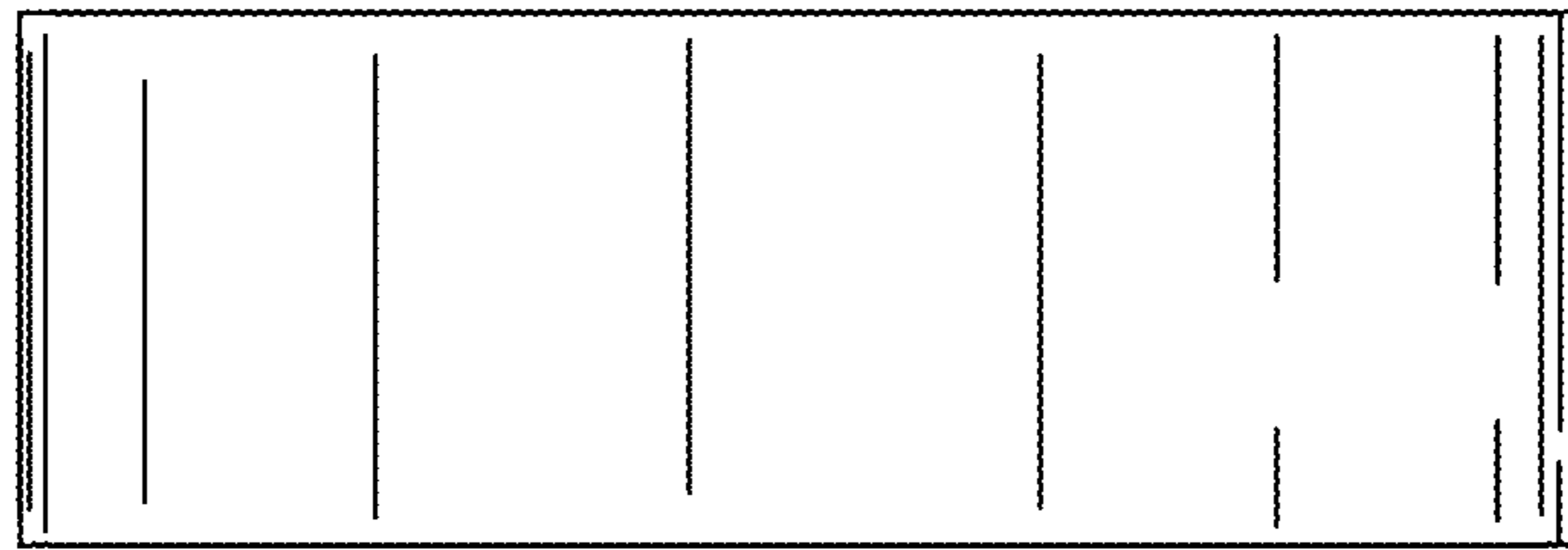


FIG. 8