



US00D987303S

(12) **United States Design Patent**
Shu

(10) **Patent No.:** **US D987,303 S**

(45) **Date of Patent:** **** May 30, 2023**

(54) **HAIR SCRAPER**

(71) Applicant: **Tianming Shu**, Zhejiang (CN)

(72) Inventor: **Tianming Shu**, Zhejiang (CN)

(**) Term: **15 Years**

(21) Appl. No.: **29/795,683**

(22) Filed: **Jun. 20, 2021**

(51) **LOC (14) Cl.** **04-01**

(52) **U.S. Cl.**
USPC **D4/118**; D32/42; D32/46

(58) **Field of Classification Search**
USPC D4/116–121, 131, 132, 136, 138;
D32/40–42, 46
CPC .. A46B 3/18; A46B 5/00; A46B 9/021; A46B
11/00; A46B 11/0003; A46B 2200/1053;
A45D 40/26; A45D 40/265

See application file for complete search history.

(56) **References Cited**

U.S. PATENT DOCUMENTS

D383,611 S	*	9/1997	Tsai	A46B 3/18
					D4/131
D408,534 S	*	4/1999	Jansheski	D24/147
D652,925 S	*	1/2012	Nanda	D24/147
D696,826 S	*	12/2013	Seehoff	D4/138
D832,540 S	*	10/2018	Larouche	D32/35
D889,851 S	*	7/2020	Lei	D4/118

D968,045 S	*	10/2022	Chen	D4/118
D971,615 S	*	12/2022	Wang	D4/118
2014/0250617 A1	*	9/2014	Gunjian	A46B 3/18
					15/207.2

OTHER PUBLICATIONS

Amazon-Dinblex; "Lint Cleaner Pro Pet Hair Remover for Carpet . . ."; [online] 'https://www.amazon.com/dp/B0B14NWRPX'; dated May 15, 2021; accessed Jan. 11, 2023; 4pgs. (Year: 2021).*
Amazon-Fority; "Portable Lint Remover . . ."; [online] 'https://www.amazon.com/dp/B09BG36TFB'; dated Jul. 29, 2021; accessed Jan. 11, 2023; 4pgs. (Year: 2021).*

* cited by examiner

Primary Examiner — Keli L Hill

(57) **CLAIM**

The ornamental design for a hair scraper, as shown and described.

DESCRIPTION

FIG. 1 is a front perspective view of a hair scraper design showing my new design.

FIG. 2 is a front view of a hair scraper.

FIG. 3 is a rear view of a hair scraper.

FIG. 4 is a left side view of a hair scraper.

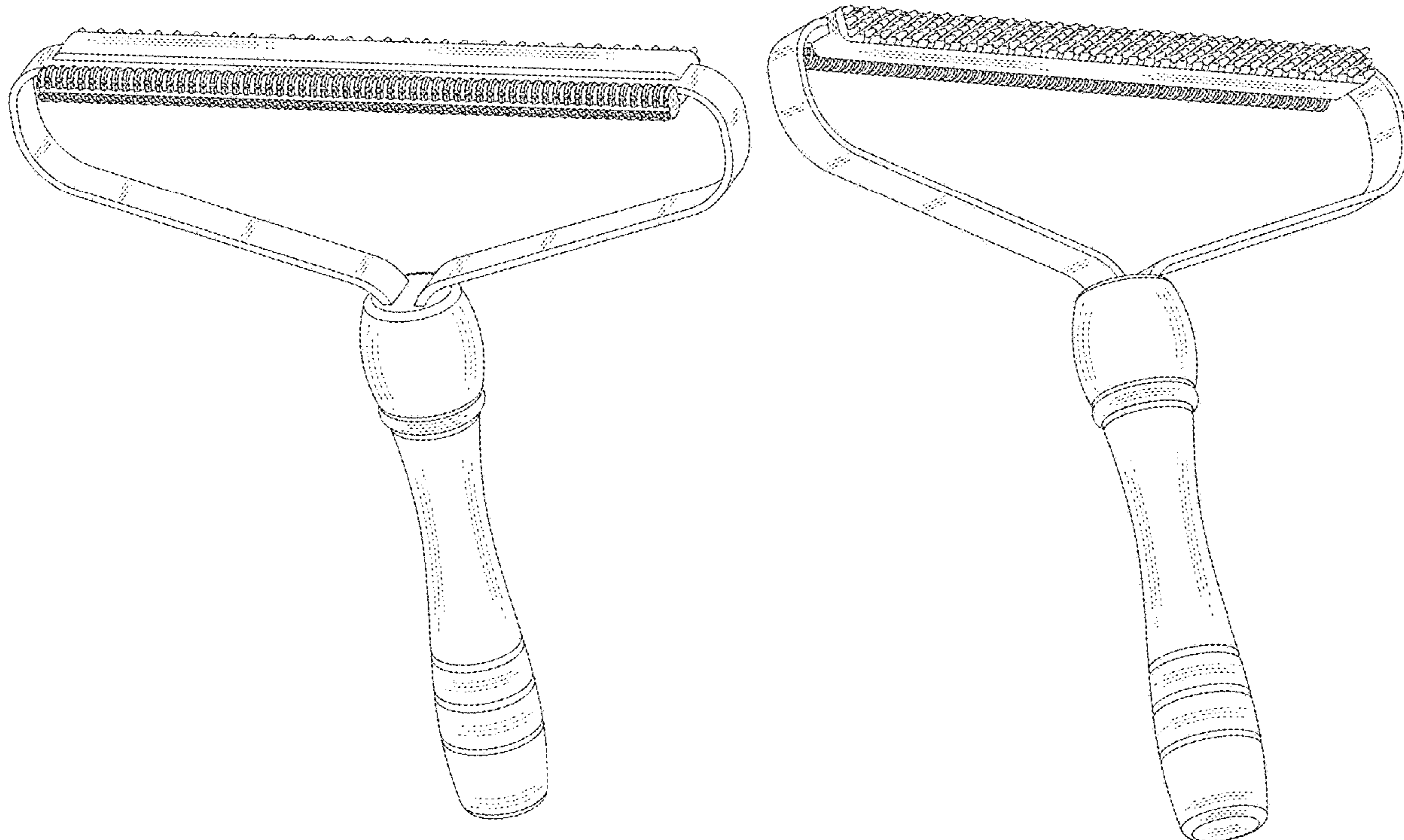
FIG. 5 is a right side view of a hair scraper.

FIG. 6 is a top view of a hair scraper.

FIG. 7 is a bottom view of a hair scraper; and,

FIG. 8 is a rear perspective view of a hair scraper.

1 Claim, 8 Drawing Sheets



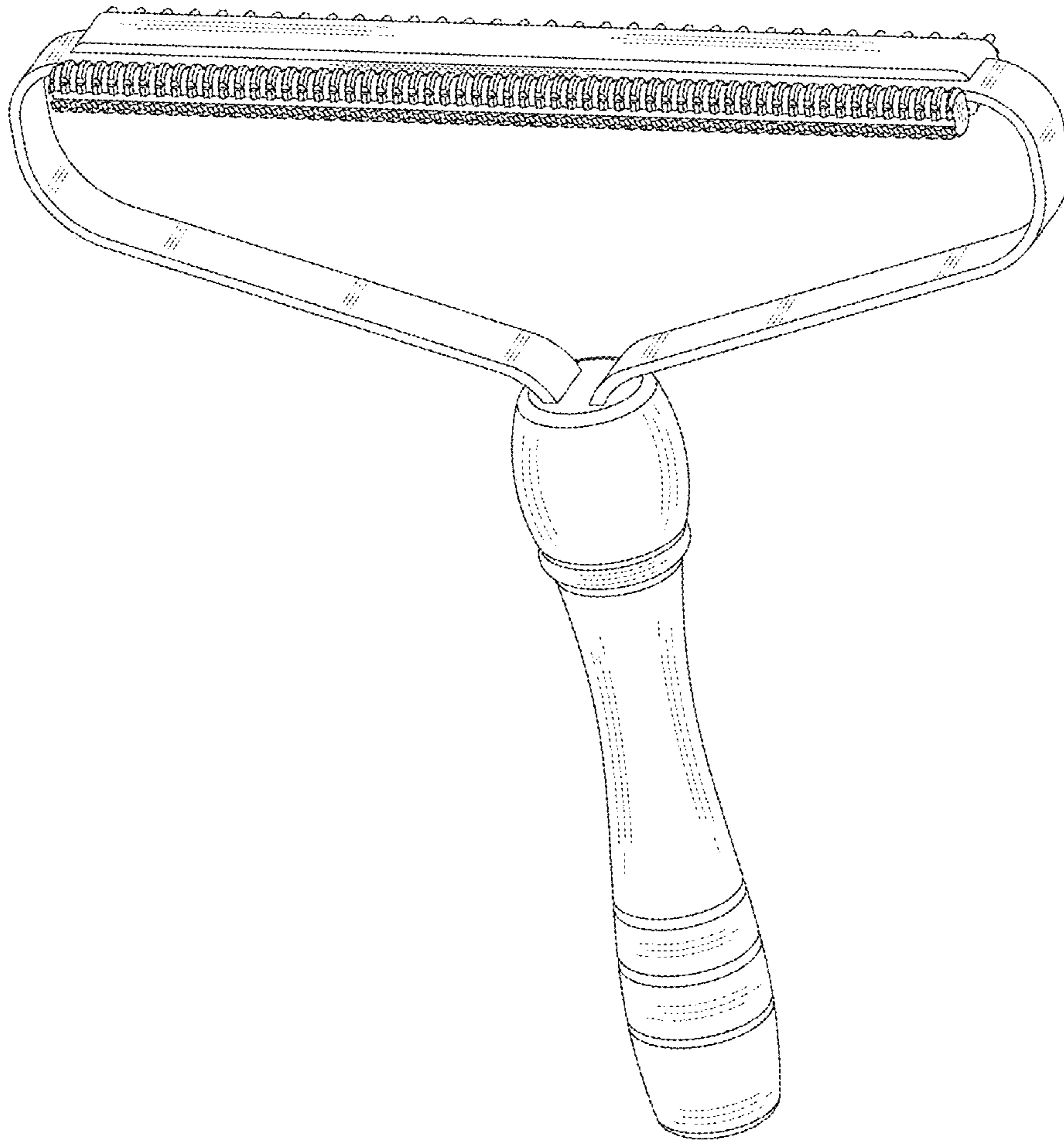


FIG. 1

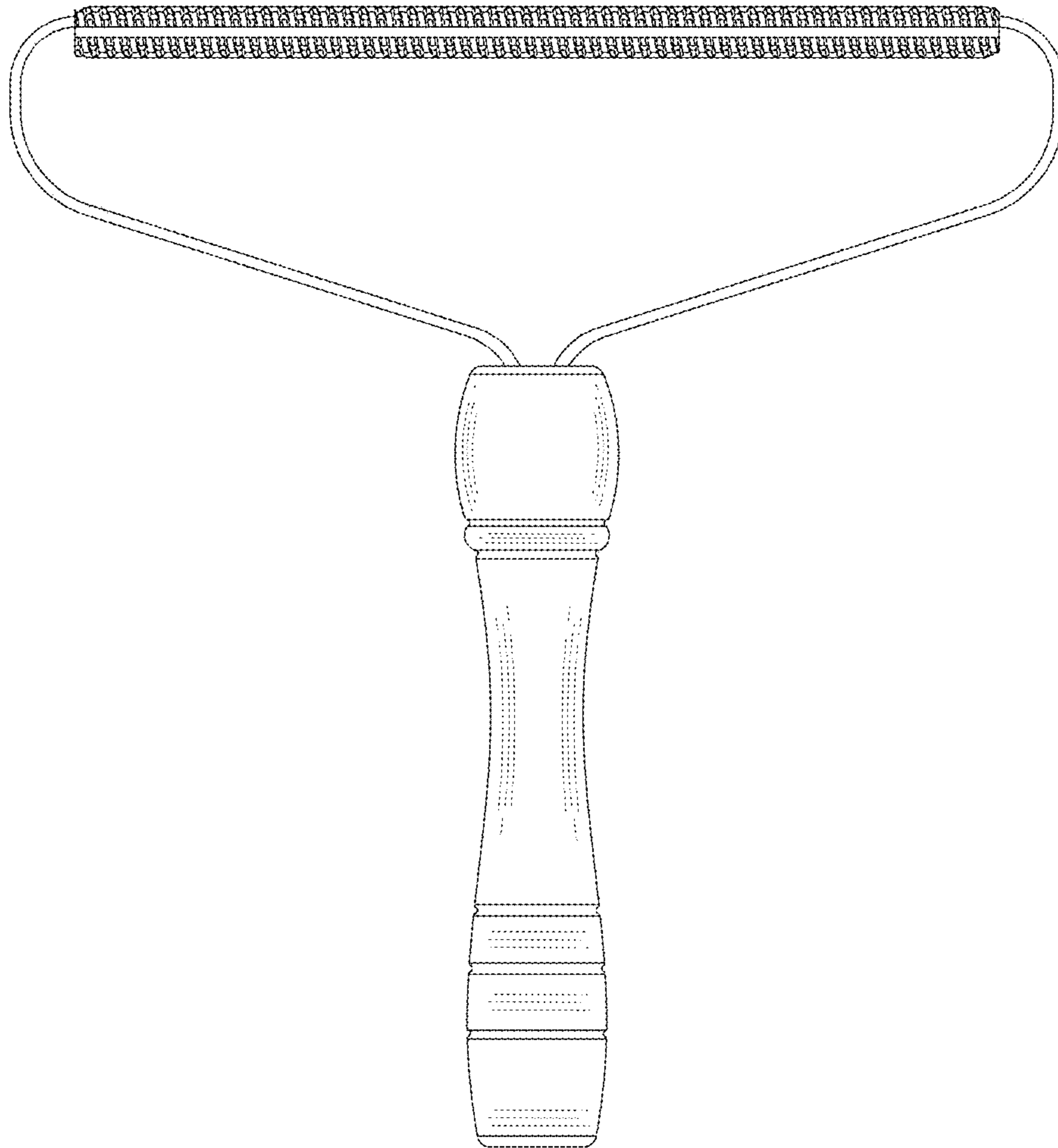


FIG. 2

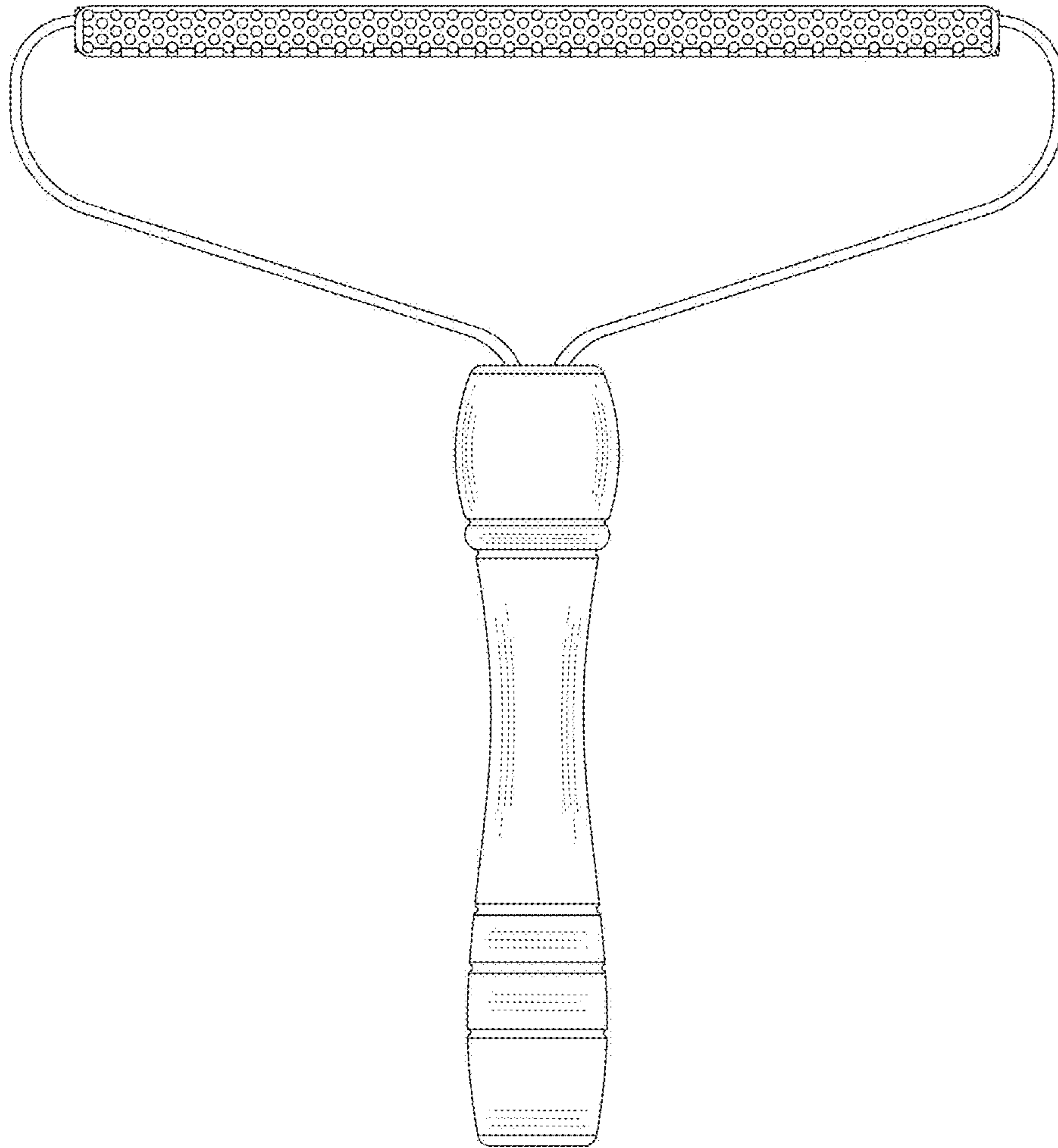


FIG. 3

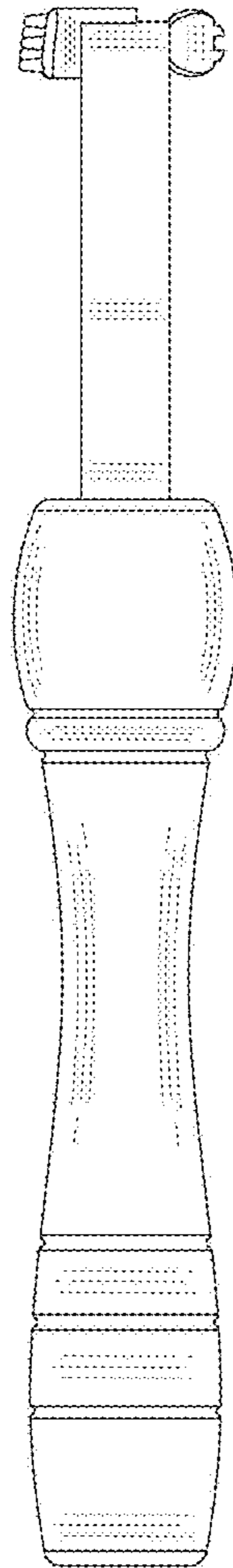


FIG. 4

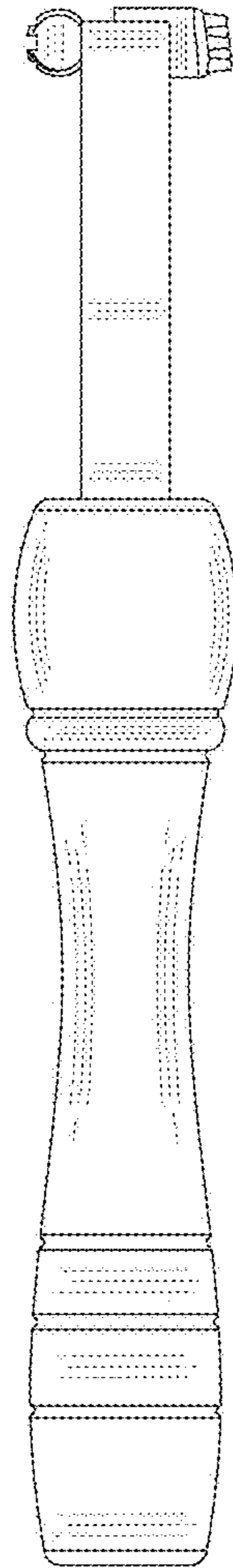


FIG. 5

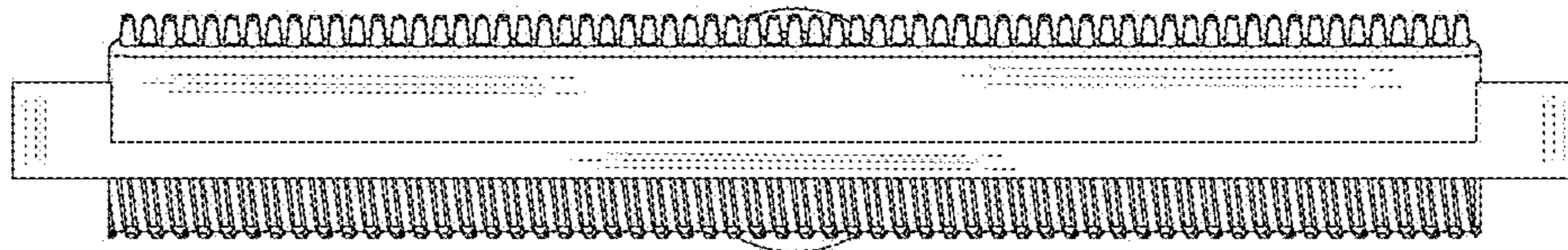


FIG. 6

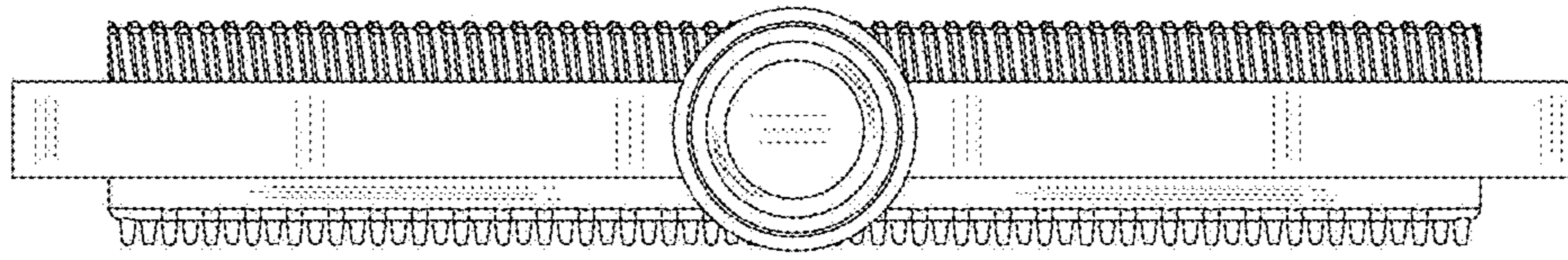


FIG. 7

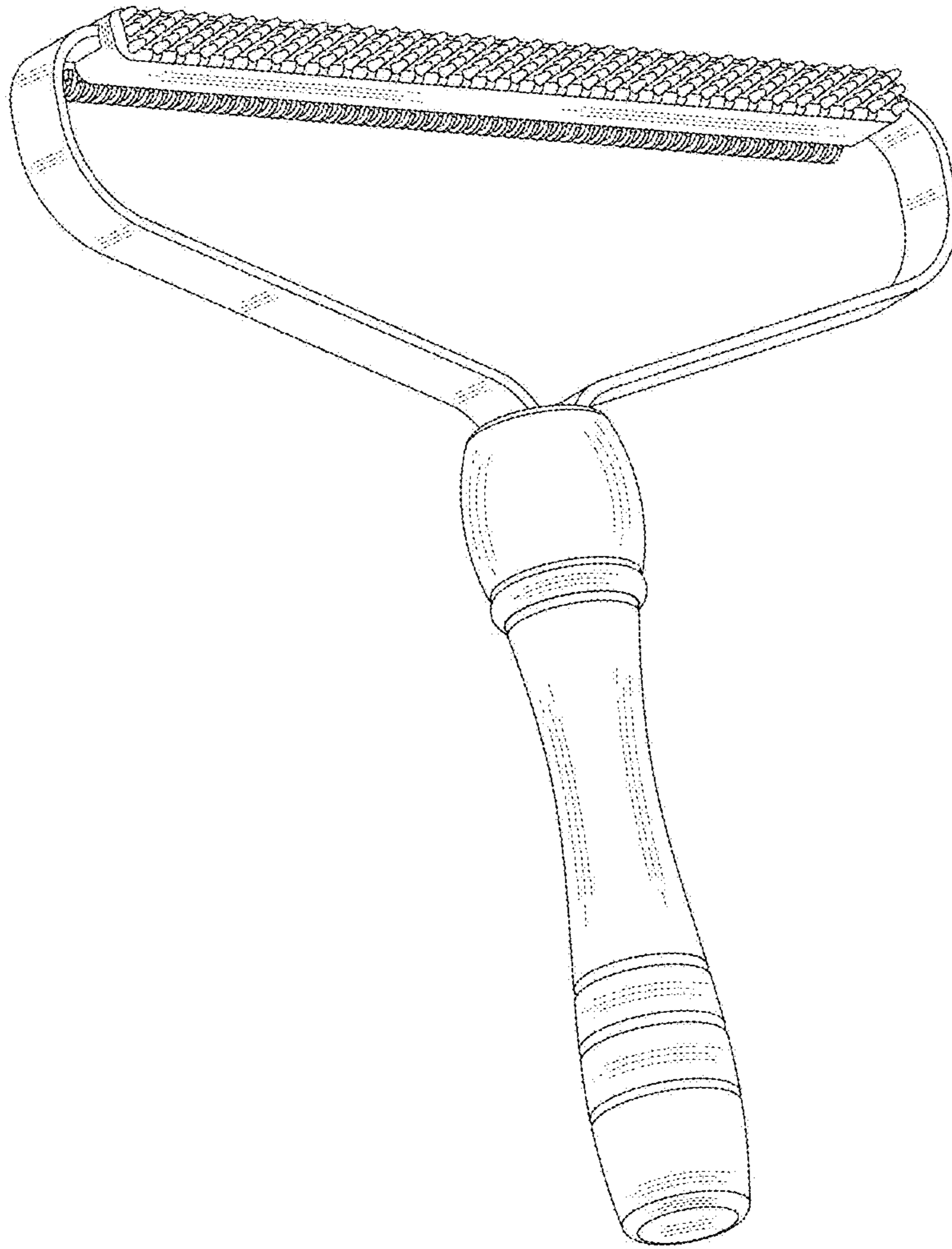


FIG. 8