



US00D987301S

(12) **United States Design Patent**
Ren

(10) **Patent No.:** **US D987,301 S**

(45) **Date of Patent:** **** May 30, 2023**

(54) **NAIL POLISH BRUSH**

(71) Applicant: **Zhenxing Ren**, Guangzhou (CN)

(72) Inventor: **Zhenxing Ren**, Guangzhou (CN)

(**) Term: **15 Years**

(21) Appl. No.: **29/807,812**

(22) Filed: **Sep. 15, 2021**

(51) **LOC (14) Cl.** **04-01**

(52) **U.S. Cl.**
USPC **D4/116**

(58) **Field of Classification Search**
USPC D4/116, 130, 132, 135, 138; D28/56, 57
CPC .. A46B 3/18; A46B 5/00; A46B 9/021; A46B
11/00; A46B 11/0003; A46B 2200/1053;
A45D 40/26; A45D 40/265
See application file for complete search history.

(56) **References Cited**

U.S. PATENT DOCUMENTS

- D4,501 S * 12/1870 Annis D32/51
- D215,083 S * 9/1969 Carter D4/116
- D341,255 S * 11/1993 Leone D4/135
- D406,921 S * 3/1999 Roeder D28/7
- 6,065,477 A * 5/2000 Doo A46B 11/0006
132/73
- D460,862 S * 7/2002 An D4/127

- D503,853 S * 4/2005 Vickerman D4/135
- 6,966,716 B2 * 11/2005 Pink A46B 5/02
401/6
- D623,418 S * 9/2010 Martinez D4/128
- D629,617 S * 12/2010 Yasuda A46B 5/02
D4/128
- D813,551 S * 3/2018 Tan D28/7
- D858,999 S * 9/2019 Moon D4/128
- D910,926 S * 2/2021 David A46B 11/0006
D28/7

* cited by examiner

Primary Examiner — Keli L Hill

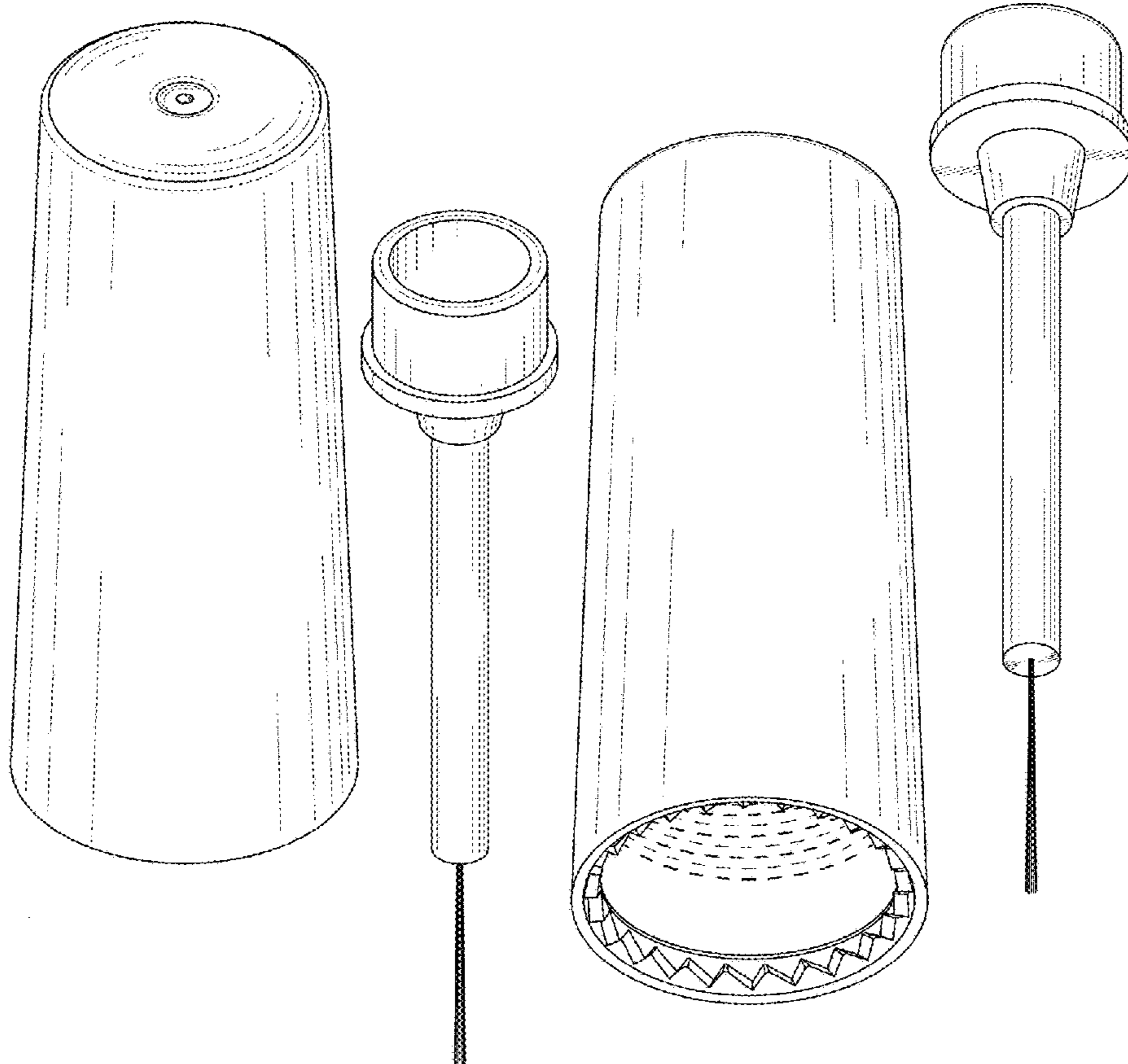
(57) **CLAIM**

The ornamental design for a nail polish brush, as shown and described.

DESCRIPTION

FIG. 1 is a front, right and top perspective view of a nail polish brush showing my new design;
 FIG. 2 is a front, right and bottom perspective thereof;
 FIG. 3 is a perspective view thereof in the combined state;
 FIG. 4 is a front side view thereof;
 FIG. 5 is a rear side view thereof;
 FIG. 6 is a left side view thereof;
 FIG. 7 is a right side view thereof;
 FIG. 8 is a top plan view thereof; and,
 FIG. 9 is a bottom plan view thereof.
 The broken lines in the figures illustrate portions of the nail polish brush that form no part of the claimed design.

1 Claim, 9 Drawing Sheets



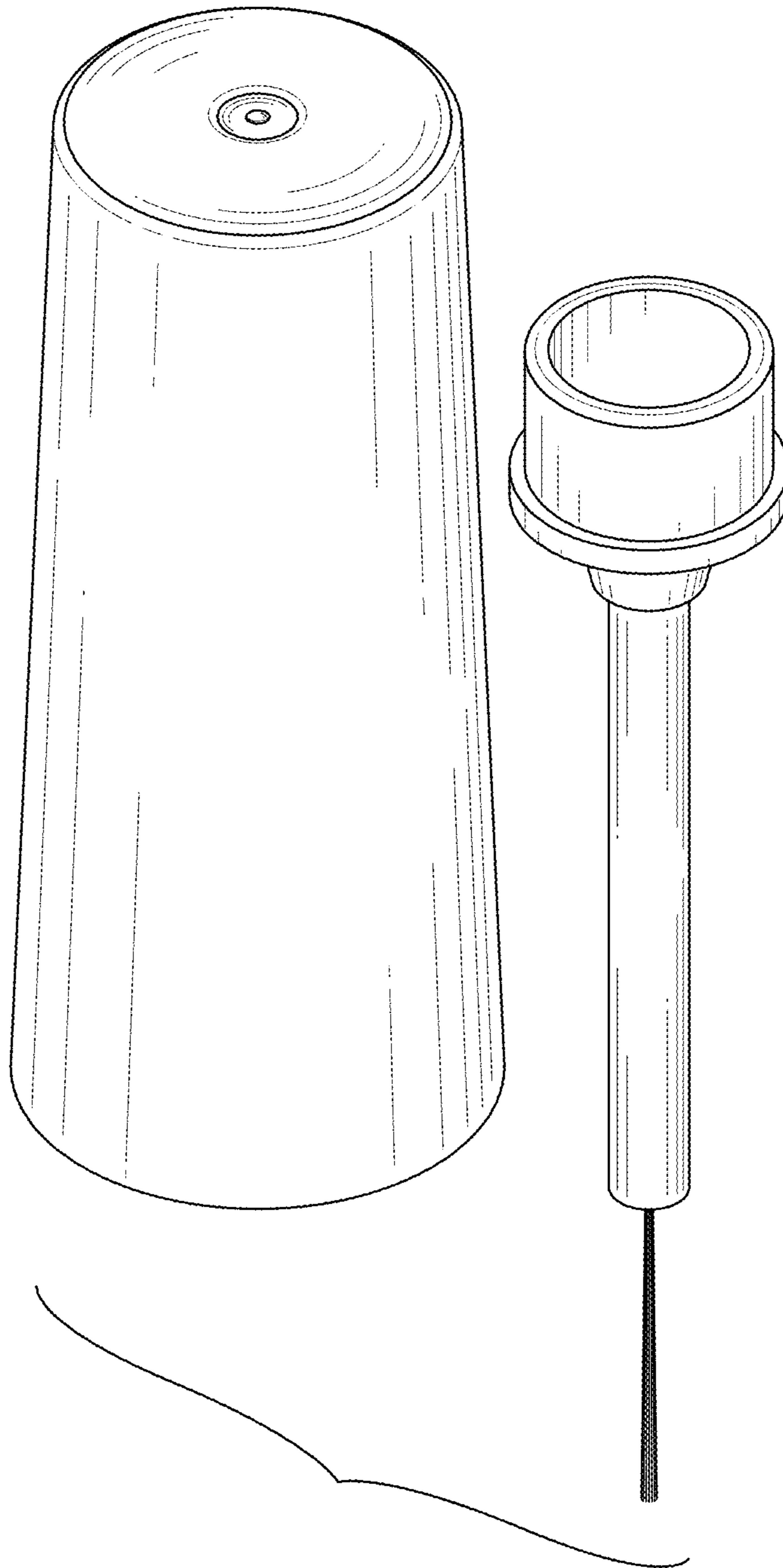


FIG. 1

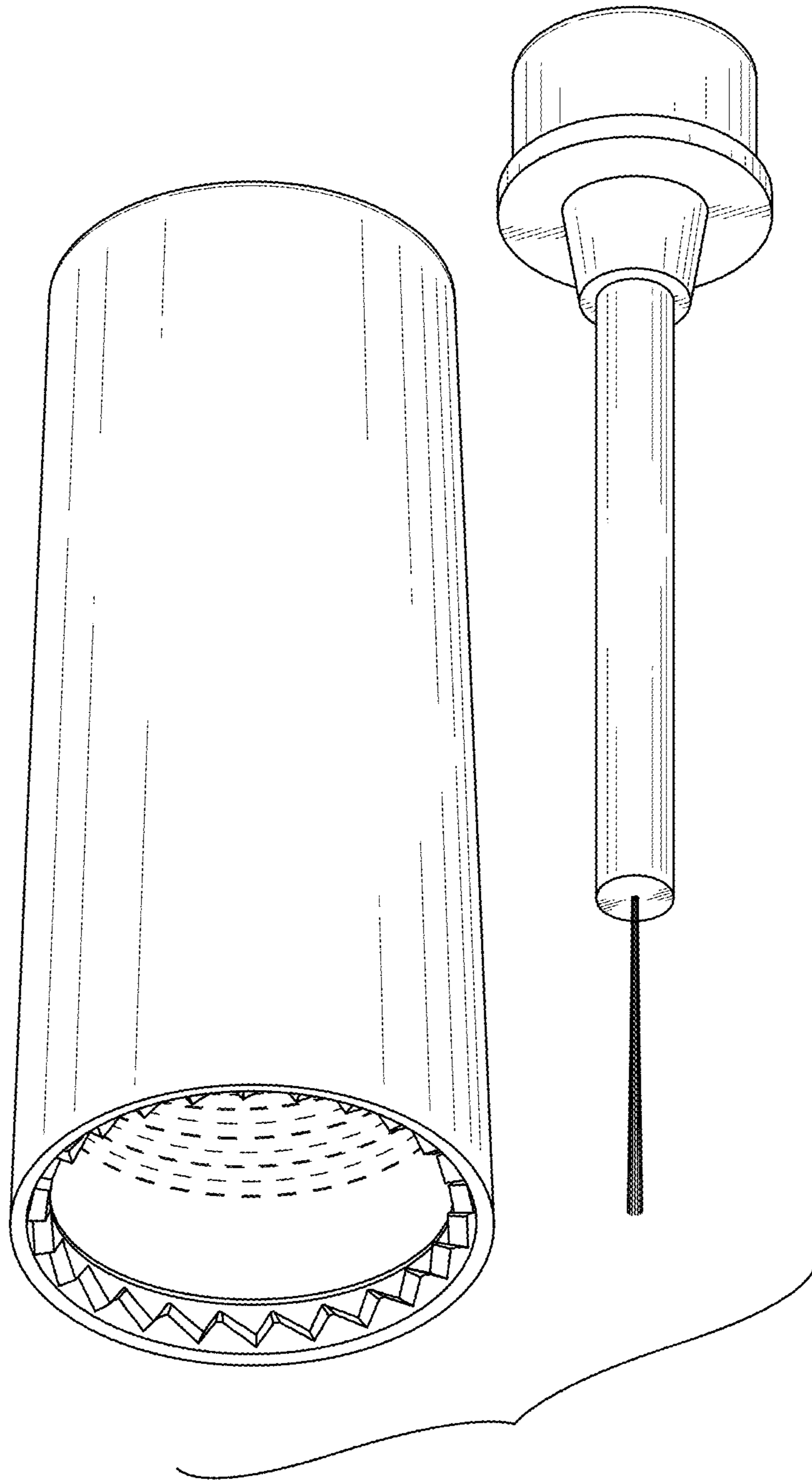


FIG. 2

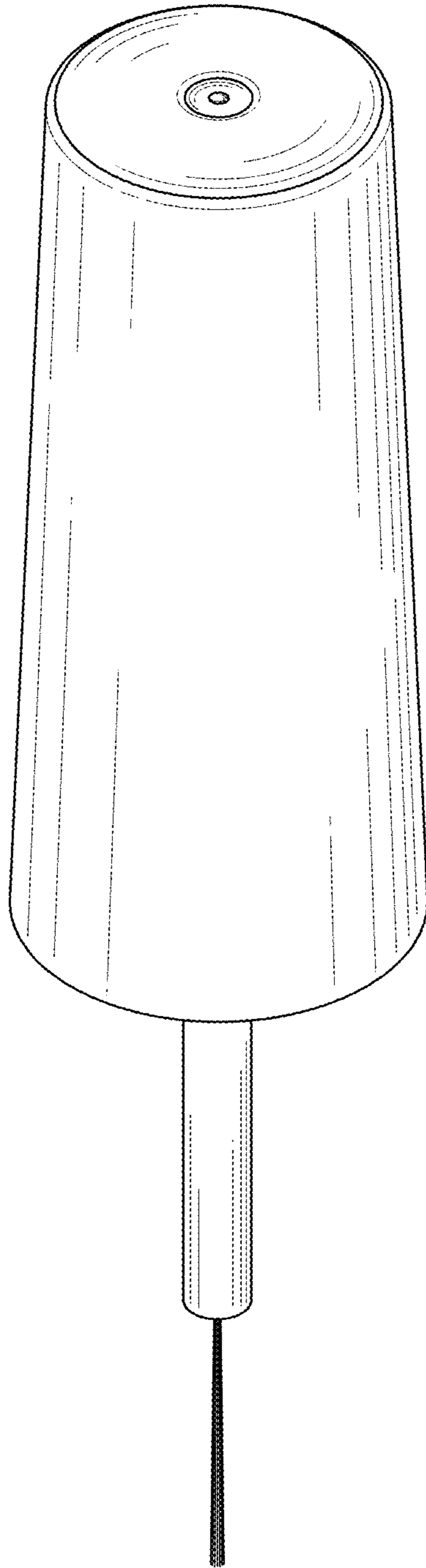


FIG. 3

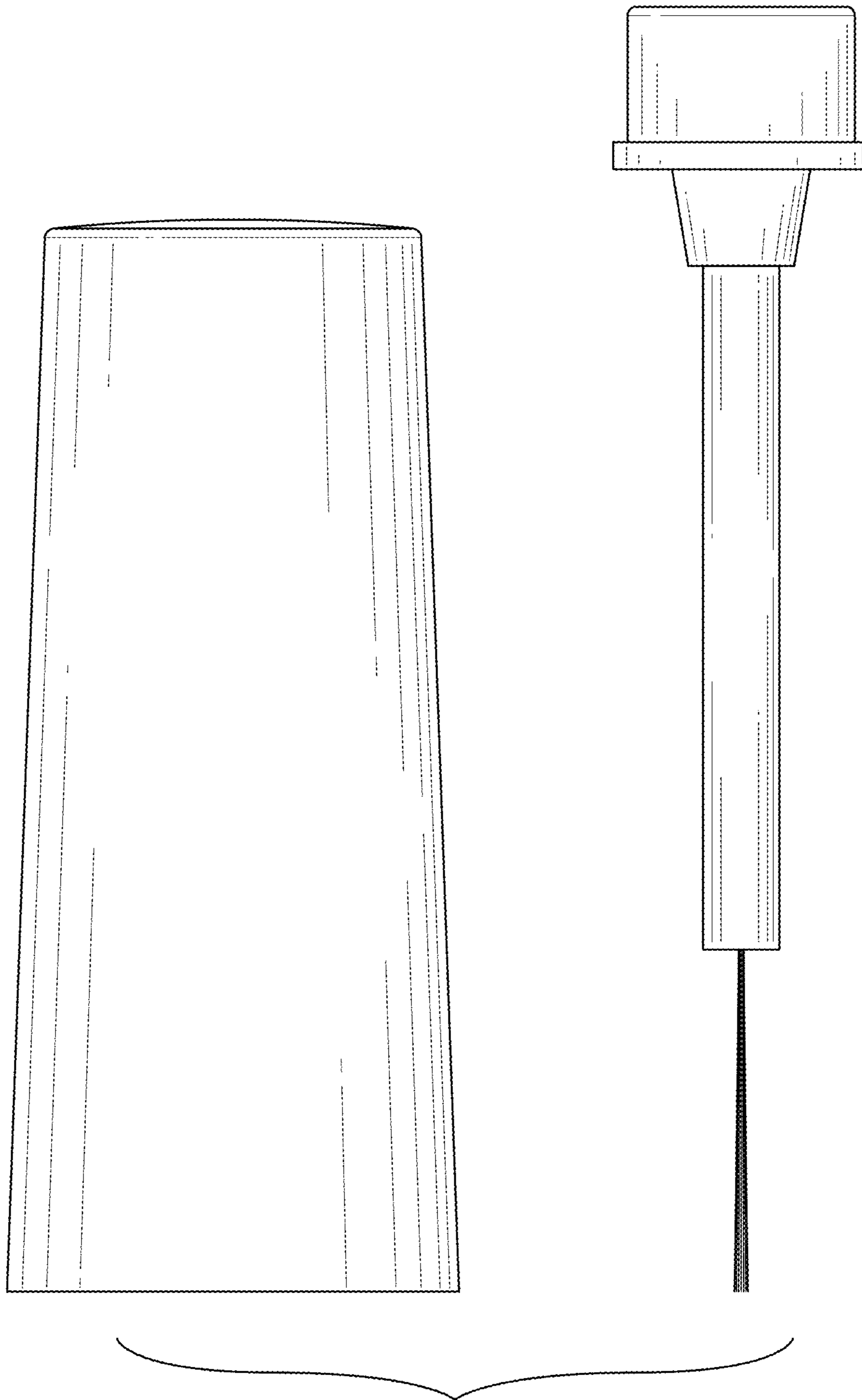


FIG. 4

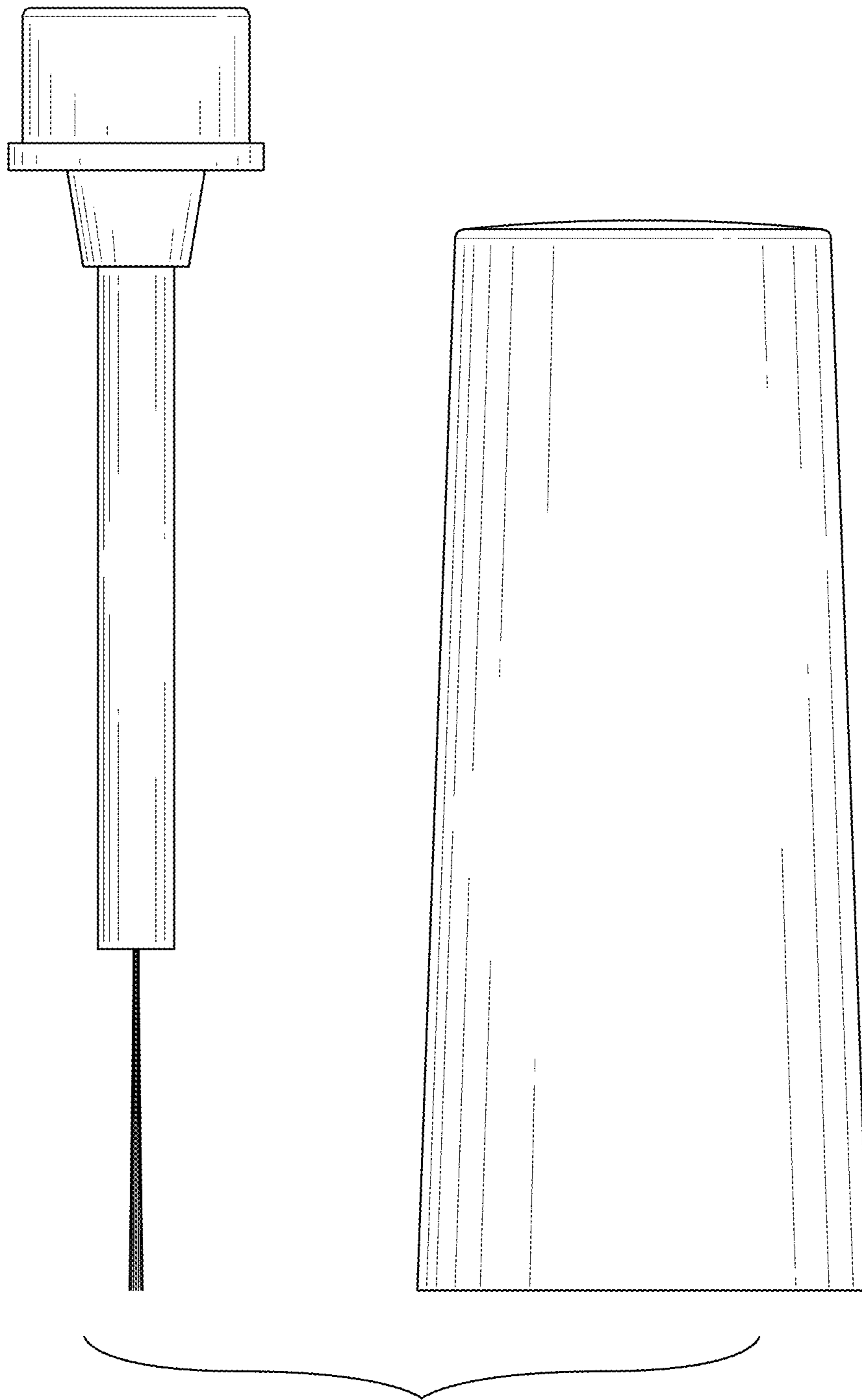


FIG. 5

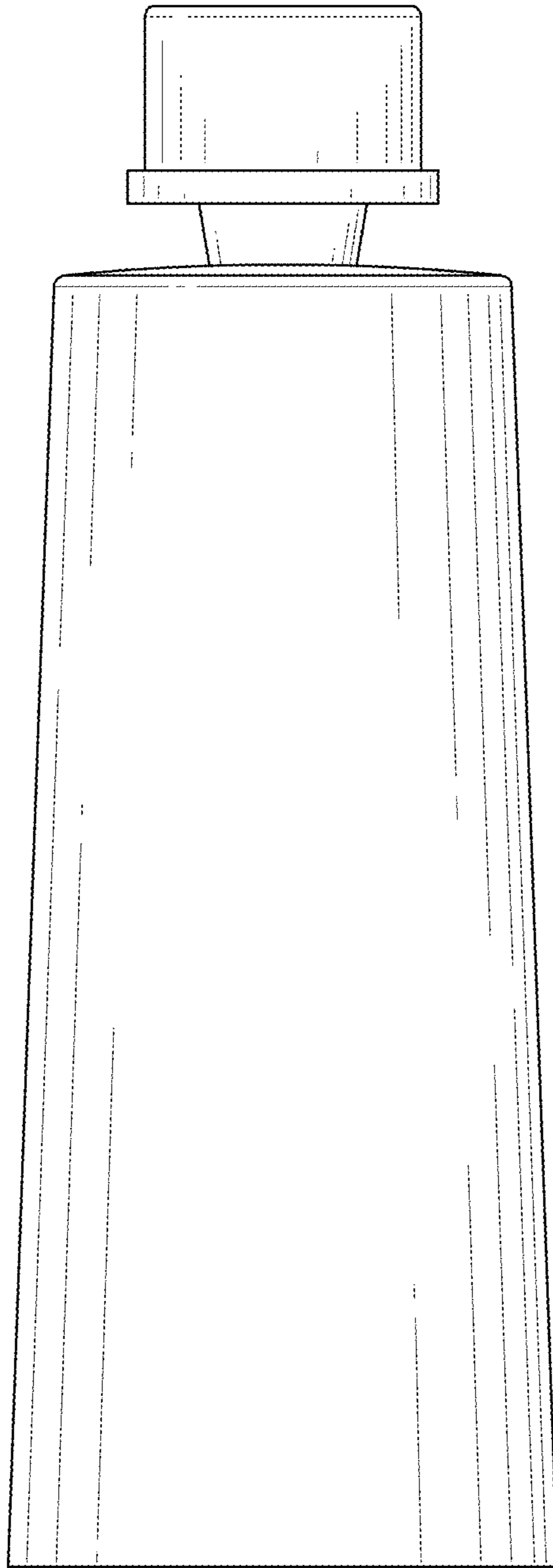


FIG. 6

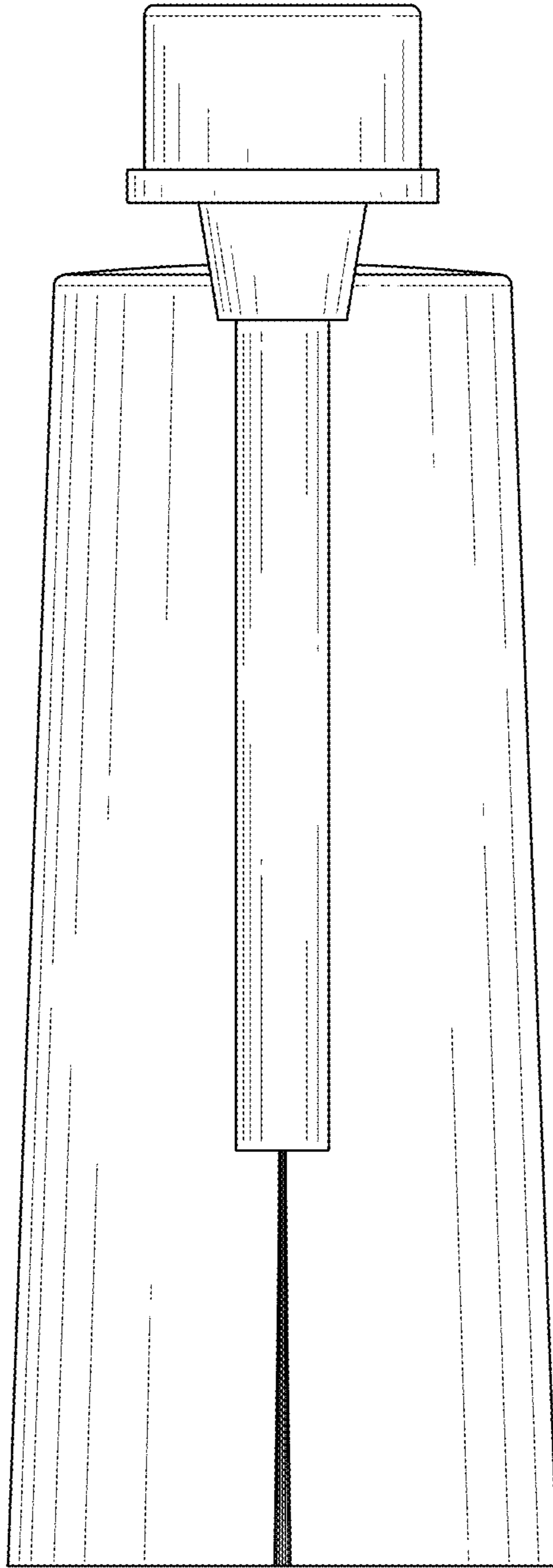


FIG. 7

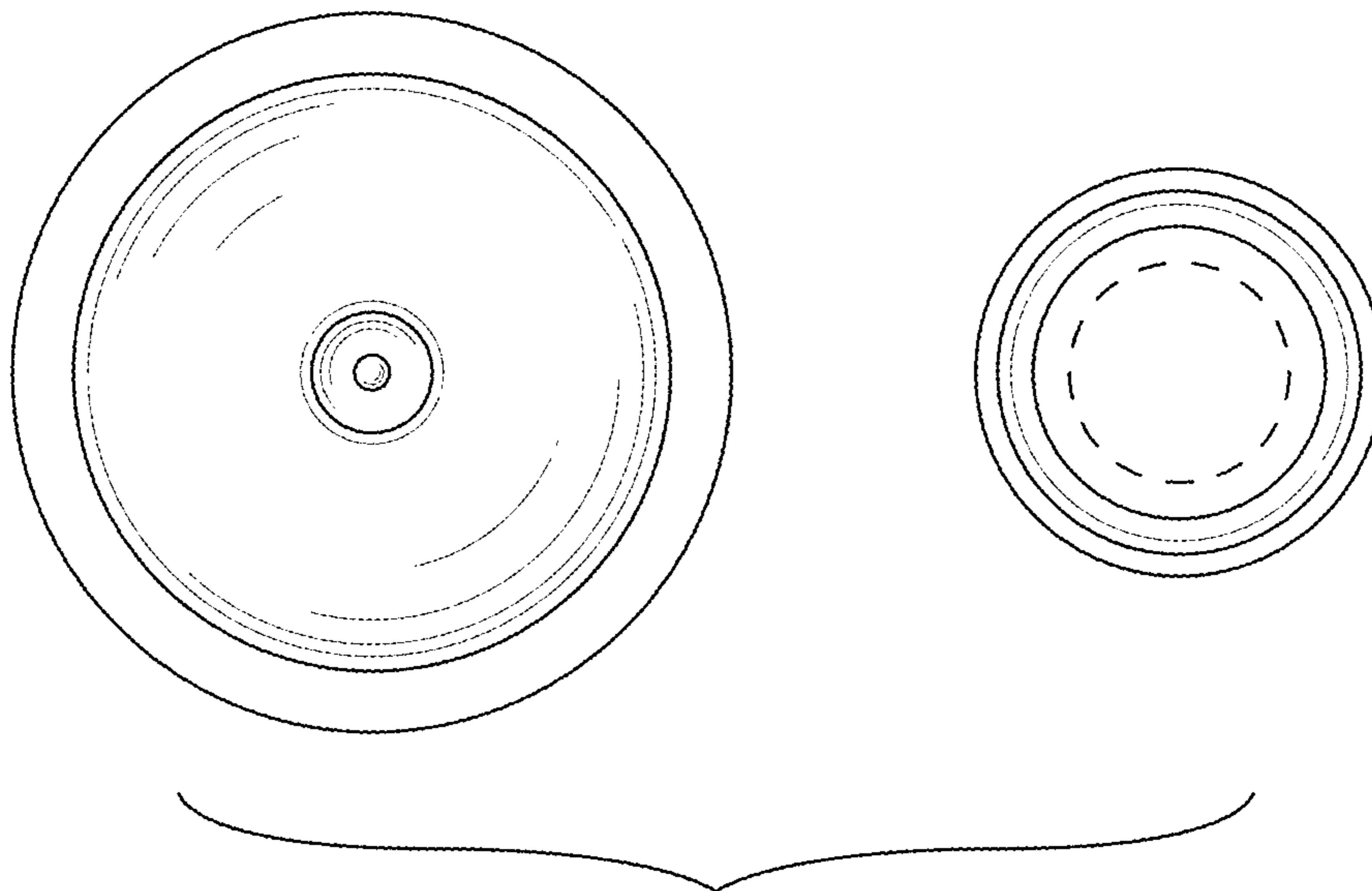


FIG. 8

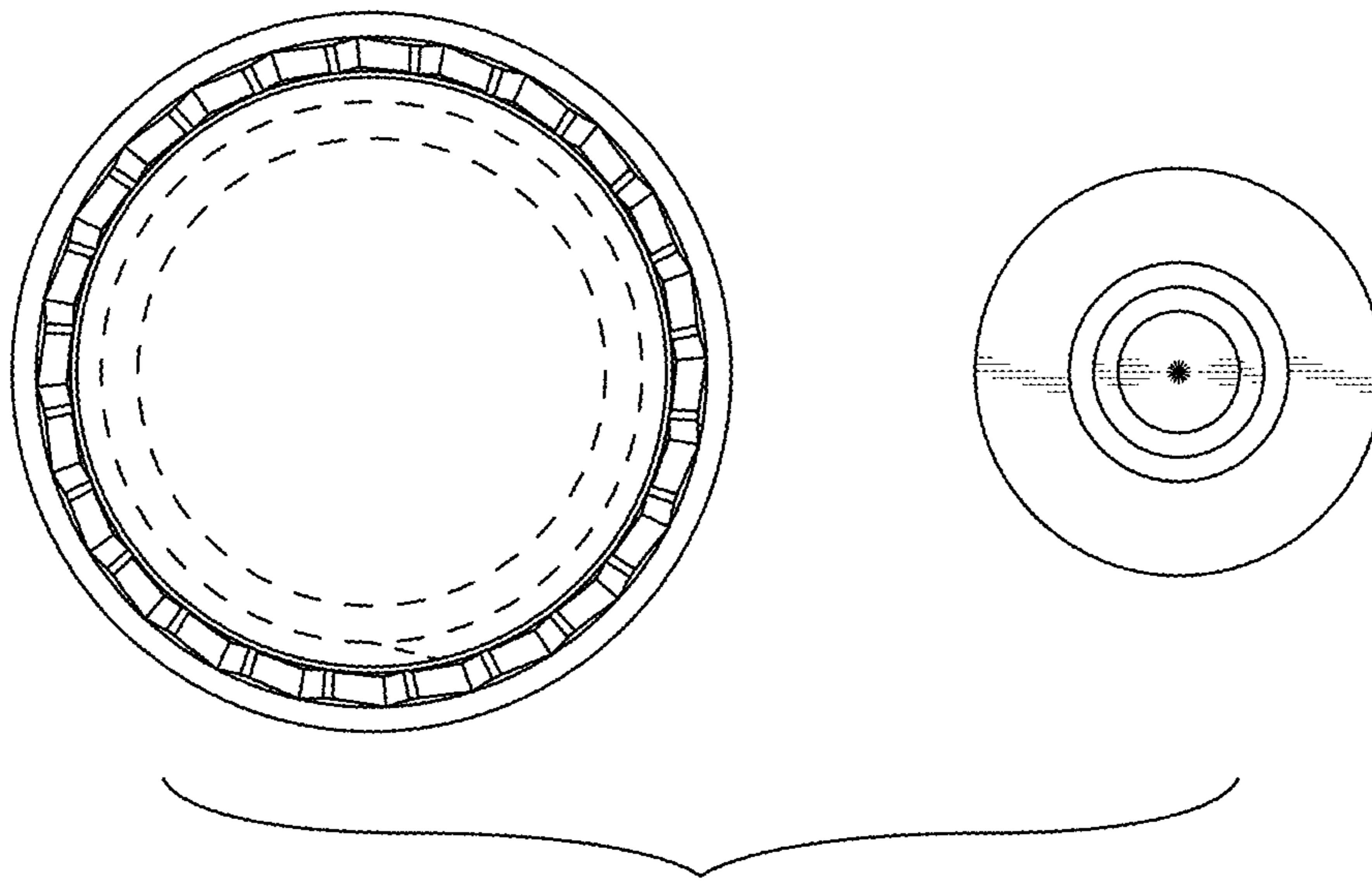


FIG. 9