



US00D987295S

(12) **United States Design Patent**
Anderson et al.

(10) **Patent No.:** **US D987,295 S**

(45) **Date of Patent:** **** May 30, 2023**

(54) **TOOL TRAY**

D891,778 S * 8/2020 Stevens D3/304
D906,060 S * 12/2020 Stevens D7/637
D906,061 S * 12/2020 Stevens D7/641

(Continued)

(71) Applicant: **DV International Inc.**, St. Paul, MN
(US)

FOREIGN PATENT DOCUMENTS

(72) Inventors: **Ryne Anderson**, St. Paul, MN (US);
Jason Burbank, Crystal, MN (US)

CA 19572 * 3/1954
CA 35614 * 7/1972
GB 2068275 * 12/1997

(Continued)

(73) Assignee: **DV International Inc.**, St. Paul, MN
(US)

(**) Term: **15 Years**

OTHER PUBLICATIONS

(21) Appl. No.: **29/774,925**

“Madesmart 2020 Product Catalog”, Posted Date Not Available
[online], [Retrieved from the internet on Jun. 1, 2022], <https://housewares.blob.core.windows.net/exhdir/original/01542260-b95a-4f91-85b8-95f1bc2aa2d1.pdf> (Year: 2020).*

(22) Filed: **Mar. 19, 2021**

(51) **LOC (14) Cl.** **03-01**

(52) **U.S. Cl.**
USPC **D3/313**

(58) **Field of Classification Search**
USPC D3/210, 273, 274, 307–315; D8/71;
D19/75; D27/172, 183, 186; D28/9, 73,
D28/76, 83, 91
CPC A47G 21/14; A47J 47/16; A47J 47/00;
B65D 1/00; B65D 1/22; B65D 1/24;
B65D 1/36; B65D 5/46072; B65D
71/0003; B65D 71/24; B65D 81/3813
See application file for complete search history.

Primary Examiner — Michelle E. Wilson
Assistant Examiner — Christopher John Suarez La Rosa
(74) *Attorney, Agent, or Firm* — Pauly, DeVries Smith &
Deffner LLC

(57) **CLAIM**

The ornamental design for a tool tray, as shown and described.

DESCRIPTION

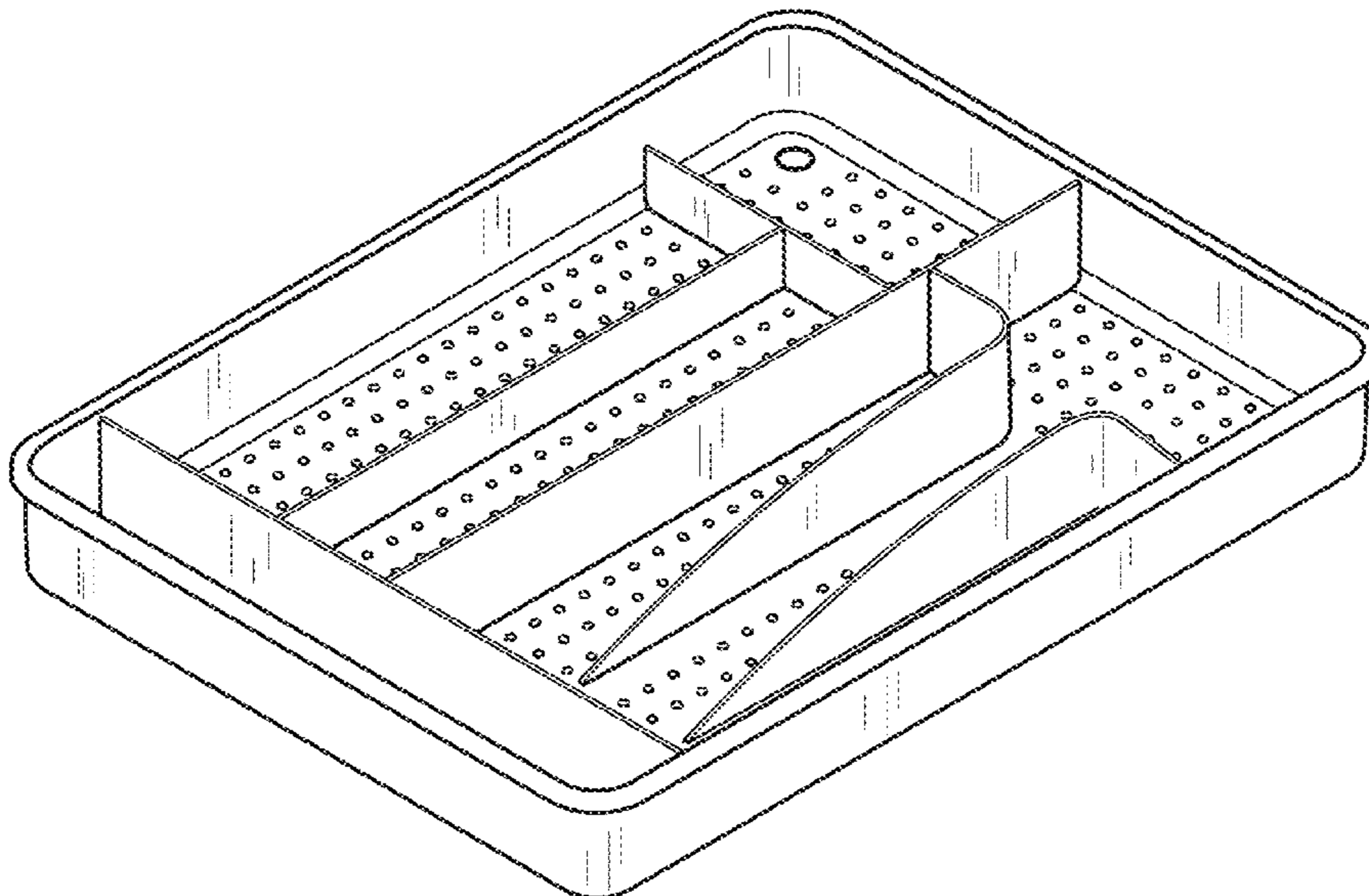
FIG. 1 is a top, front, right-side perspective view of a tool tray.
FIG. 2 is a front elevational view of the tool tray of FIG. 1.
FIG. 3 is a rear elevational view of the tool tray of FIG. 1.
FIG. 4 is a right-side elevational view of the tool tray of FIG. 1.
FIG. 5 is a left-side elevational view of the tool tray of FIG. 1.
FIG. 6 is a top plan view of the tool tray of FIG. 1; and,
FIG. 7 is a bottom plan view of the tool tray of FIG. 1.
The broken lines in the drawings illustrate portions of the tool tray that form no part of the claim.

(56) **References Cited**

U.S. PATENT DOCUMENTS

6,467,622 B1 * 10/2002 Hull B65D 1/36
206/553
D527,229 S * 8/2006 Joy D7/637
D562,641 S * 2/2008 Dretzka D7/637
D708,852 S * 7/2014 Ghiorgie D3/310
D746,594 S * 1/2016 Ghiorgie D3/313
D794,961 S * 8/2017 Ghiorghie D3/313
D876,836 S * 3/2020 Stevens D3/313
D887,712 S * 6/2020 Stevens D3/313

1 Claim, 6 Drawing Sheets



(56)

References Cited

U.S. PATENT DOCUMENTS

D941,026 S * 1/2022 Stevens D3/313
2008/0136301 A1* 6/2008 Harbison A47B 88/981
248/37.3

FOREIGN PATENT DOCUMENTS

IN 291833-0001 * 6/2017
KR 301012645.0000 * 7/2019
KR 301152807.0000 * 2/2022

* cited by examiner

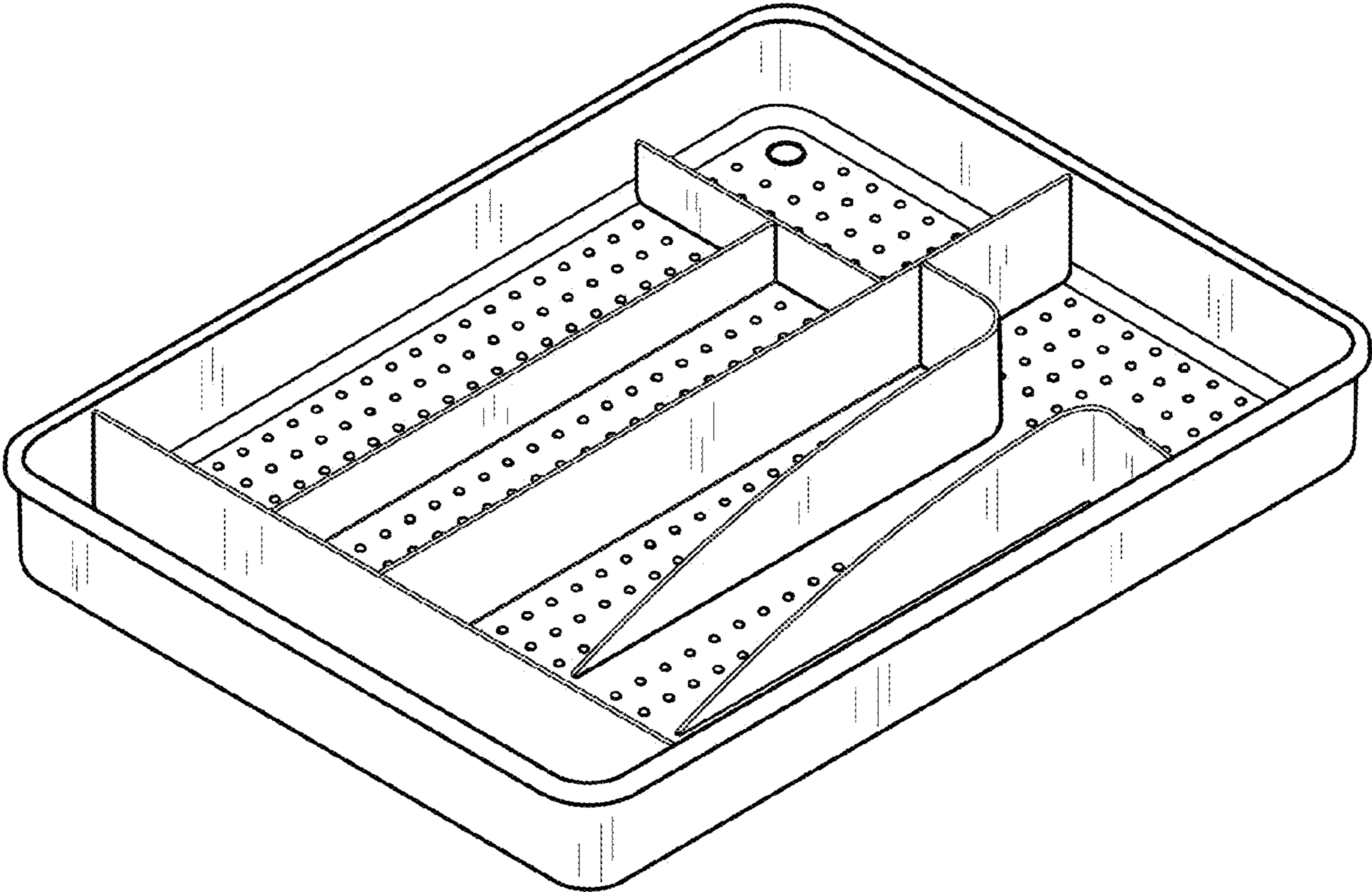


FIG. 1



FIG. 2



FIG. 3

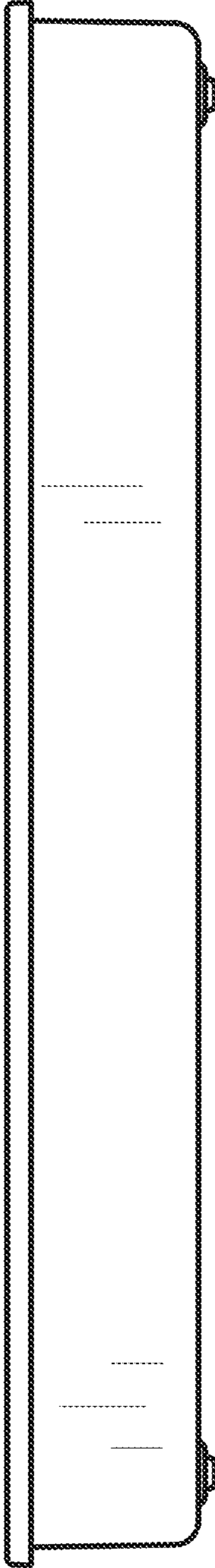


FIG. 4

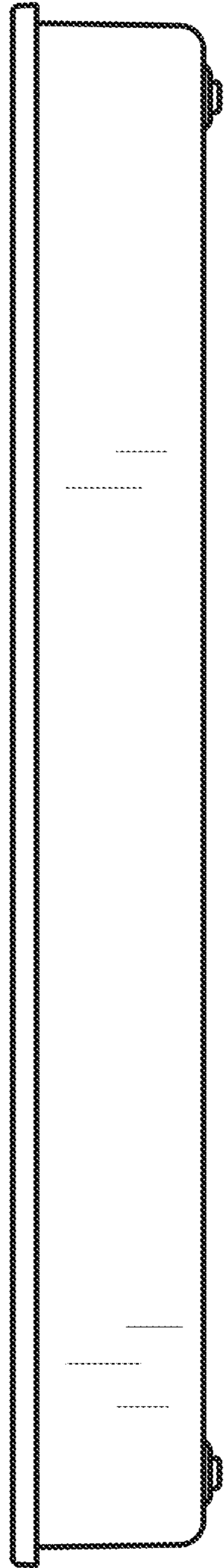


FIG. 5

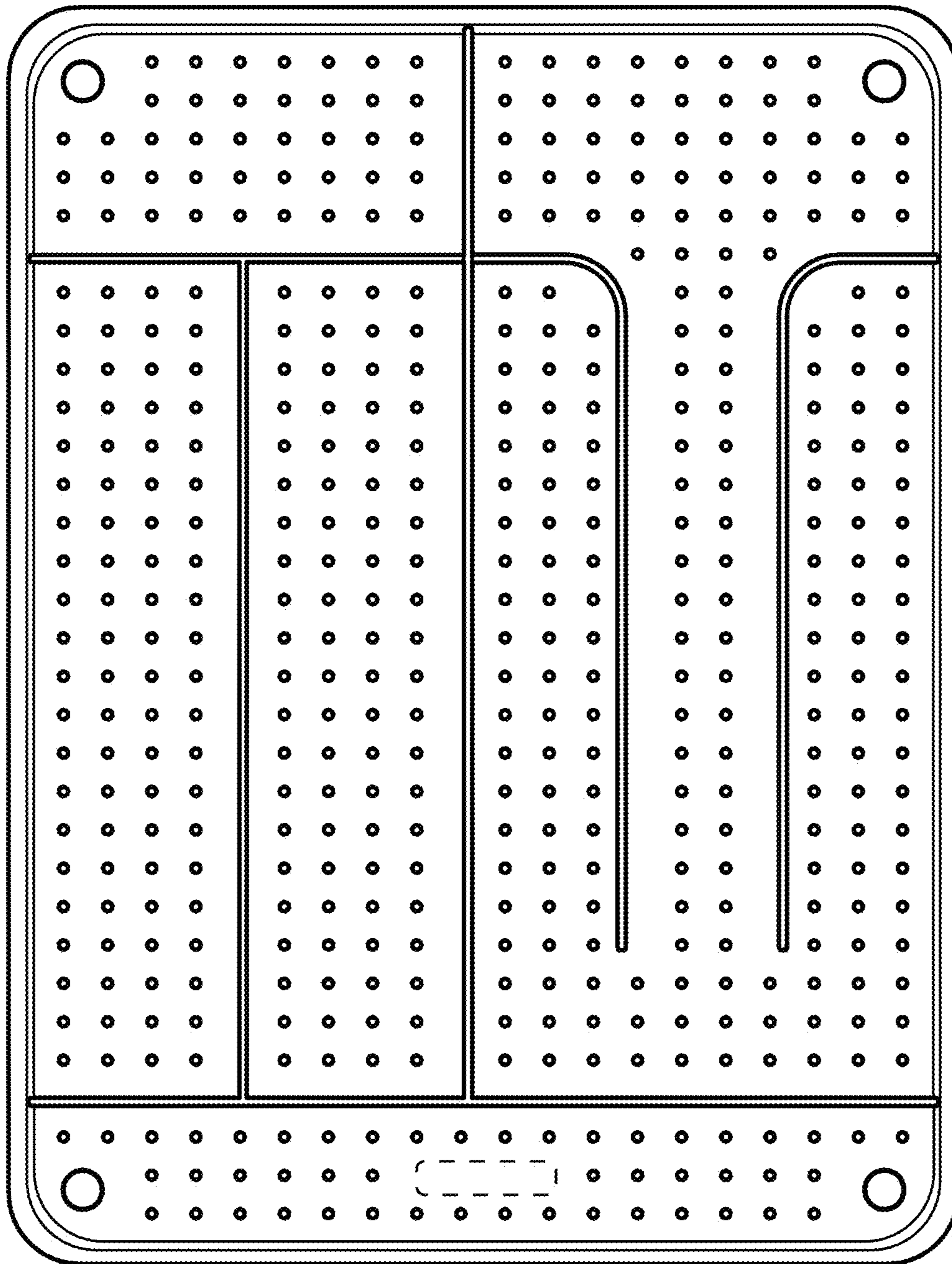


FIG. 6

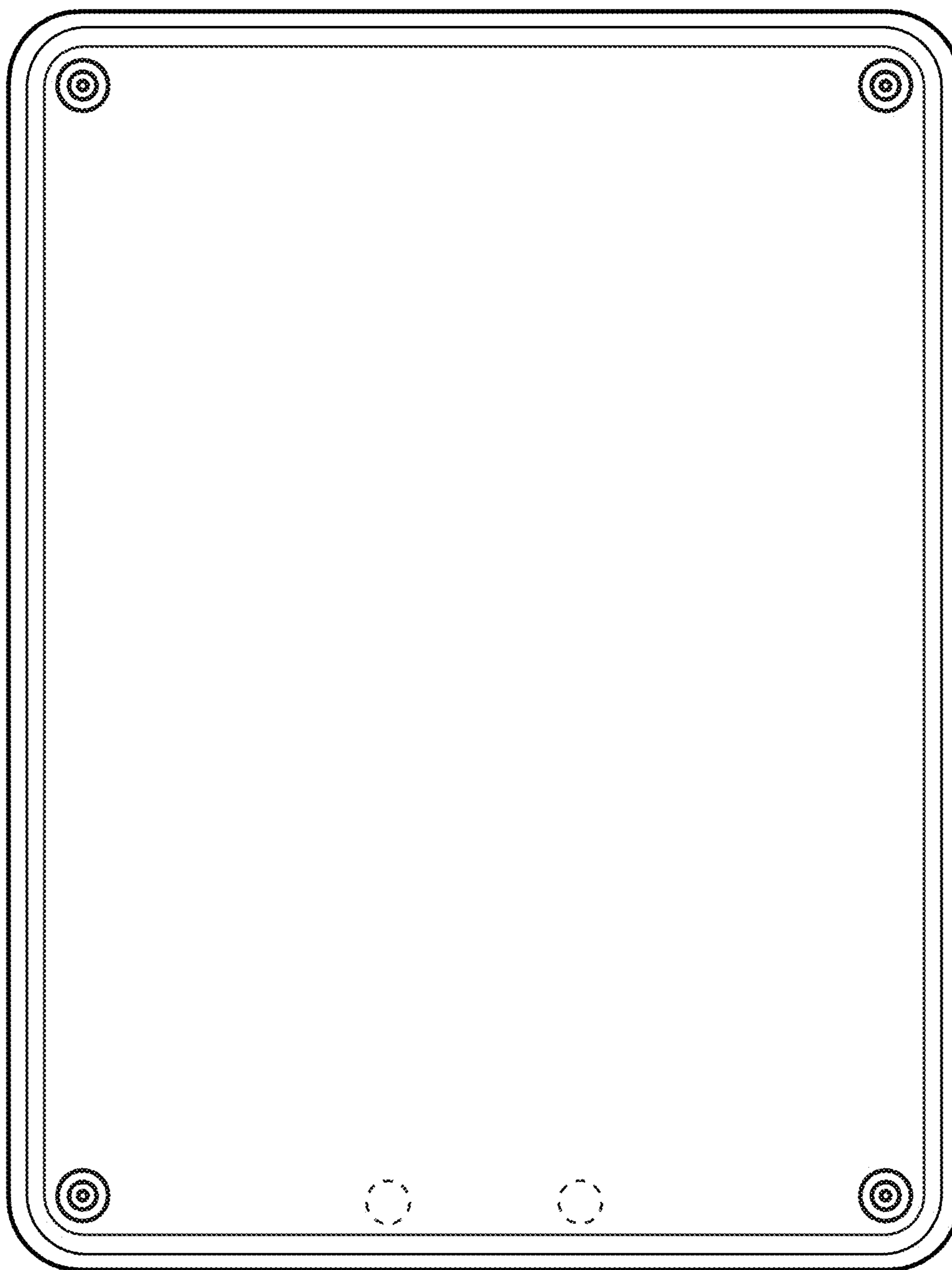


FIG. 7