



US00D987294S

(12) **United States Design Patent** (10) **Patent No.:** **US D987,294 S**
Whitta et al. (45) **Date of Patent:** **** May 30, 2023**

(54) **TOTE WITH WHEELS**
(71) Applicant: **CREATIVE PLASTIC CONCEPTS, LLC**, Sycamore, OH (US)
(72) Inventors: **Jacob H. Whitta**, Bluffton, OH (US); **Ben Sayalith**, Findlay, OH (US)
(73) Assignee: **CREATIVE PLASTIC CONCEPTS, LLC**, Sycamore, OH (US)
(**) Term: **15 Years**
(21) Appl. No.: **29/769,801**
(22) Filed: **Feb. 8, 2021**
(51) **LOC (14) Cl.** **09-04**
(52) **U.S. Cl.**
USPC **D3/304**
(58) **Field of Classification Search**
USPC D3/302, 304, 305, 307, 309–314, 318, D3/319, 323; D7/560–562, 602, 605; D9/702–714, 719, 738–740, 517–518, D9/522, 416, 425, 435, 444, 460, 455, D9/414, 499, 431–432
CPC A45C 7/0077; A45C 3/04; A45C 3/10; B65D 43/0218; B65D 33/02; B65D 33/00; B65D 33/06; B65D 33/065; B65D 33/14; B65D 33/1683; B65D 33/12; B65D 33/24; B65D 31/00; B65D 31/04; B65D 31/10; B65D 21/222; B65D 21/233; B65D 21/62; B65D 21/223; B65D 25/2841; B65D 25/25; B65D 81/3813; B65D 81/3823; D06F 95/002
See application file for complete search history.

D781,586 S * 3/2017 Reinhart D3/323
D834,315 S * 11/2018 Reinhart D3/312
D844,325 S * 4/2019 Nelson D3/905
D881,576 S * 4/2020 Reinhart D3/318
D910,312 S * 2/2021 Reinhart D3/304
D912,984 S * 3/2021 Reinhart D3/304
D932,188 S * 10/2021 Reinhart D3/312

(Continued)

FOREIGN PATENT DOCUMENTS

CA 160479 * 9/2015

OTHER PUBLICATIONS

“HDX—70 Gal. Tough Storage Tote with Wheels in Black with Yellow Lid”, [Posted on homedepot.com], [Reviewed on Nov. 25, 2020], [Retrieved on Aug. 31, 2022], <https://www.homedepot.com/p/HDX-70-Gal-Tough-Storage-Tote-with-Wheels-in-Black-with-Yellow-Lid-206203/313792519> (Year: 2020).*

Primary Examiner — Mary Shannon Malley
Assistant Examiner — Christopher John Suarez La Rosa
(74) *Attorney, Agent, or Firm* — Ward Law Office LLC; Jacob M. Ward

(57) **CLAIM**

The ornamental design for a tote with wheels, as shown and described.

DESCRIPTION

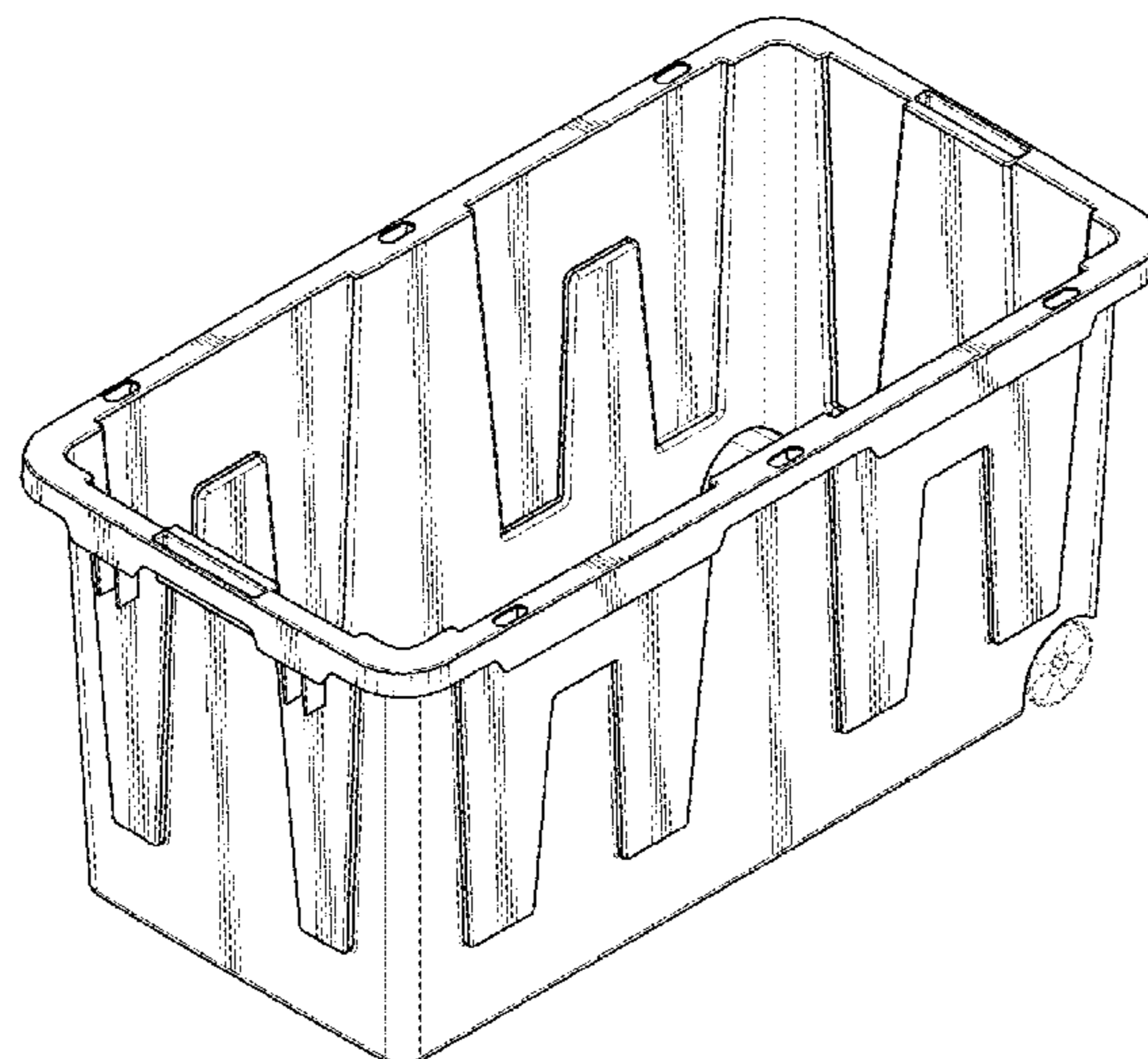
FIG. 1 is a top perspective view of a tote with wheels;
FIG. 2 is a bottom perspective view of the tote with wheels shown in FIG. 1;
FIG. 3 is a top plan view thereof;
FIG. 4 is a bottom plan view thereof;
FIG. 5 is a right side elevational view thereof, the left-side elevational view being a mirror image thereof;
FIG. 6 is a front elevational view thereof; and,
FIG. 7 is a rear elevational view thereof.

The broken lines illustrate portions of the tote with wheels that do not form part of the claimed design.

1 Claim, 4 Drawing Sheets

(56) **References Cited**
U.S. PATENT DOCUMENTS

D326,345 S * 5/1992 Mandell D3/312
D743,171 S * 11/2015 Reinhart D3/304
D767,277 S * 9/2016 Faibish D3/905
D768,385 S * 10/2016 Reinhart D3/323



(56)

References Cited

U.S. PATENT DOCUMENTS

2021/0031964 A1* 2/2021 Reinhart B65D 1/44
2022/0089324 A1* 3/2022 Whitta B65D 1/22

* cited by examiner

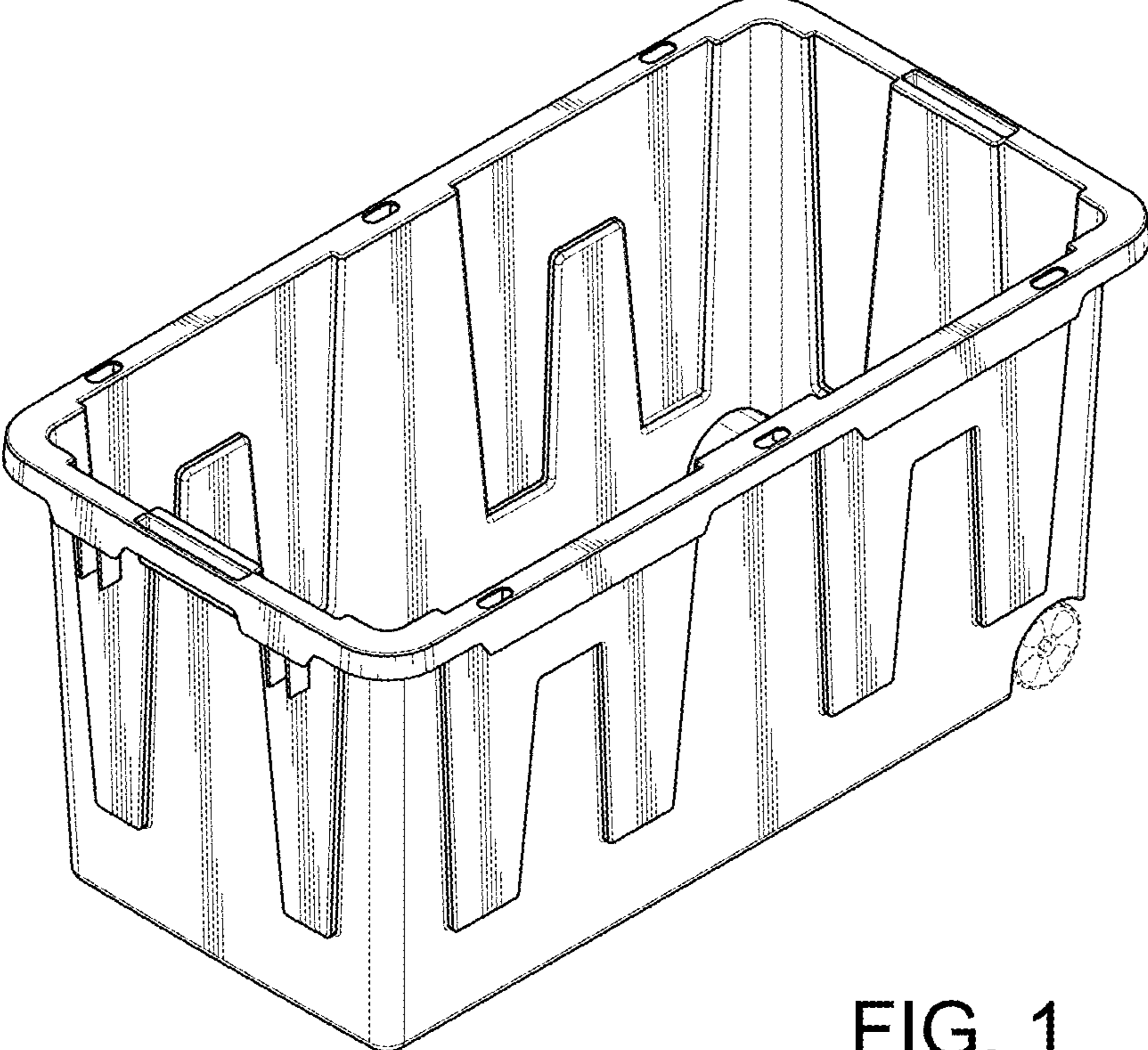


FIG. 1

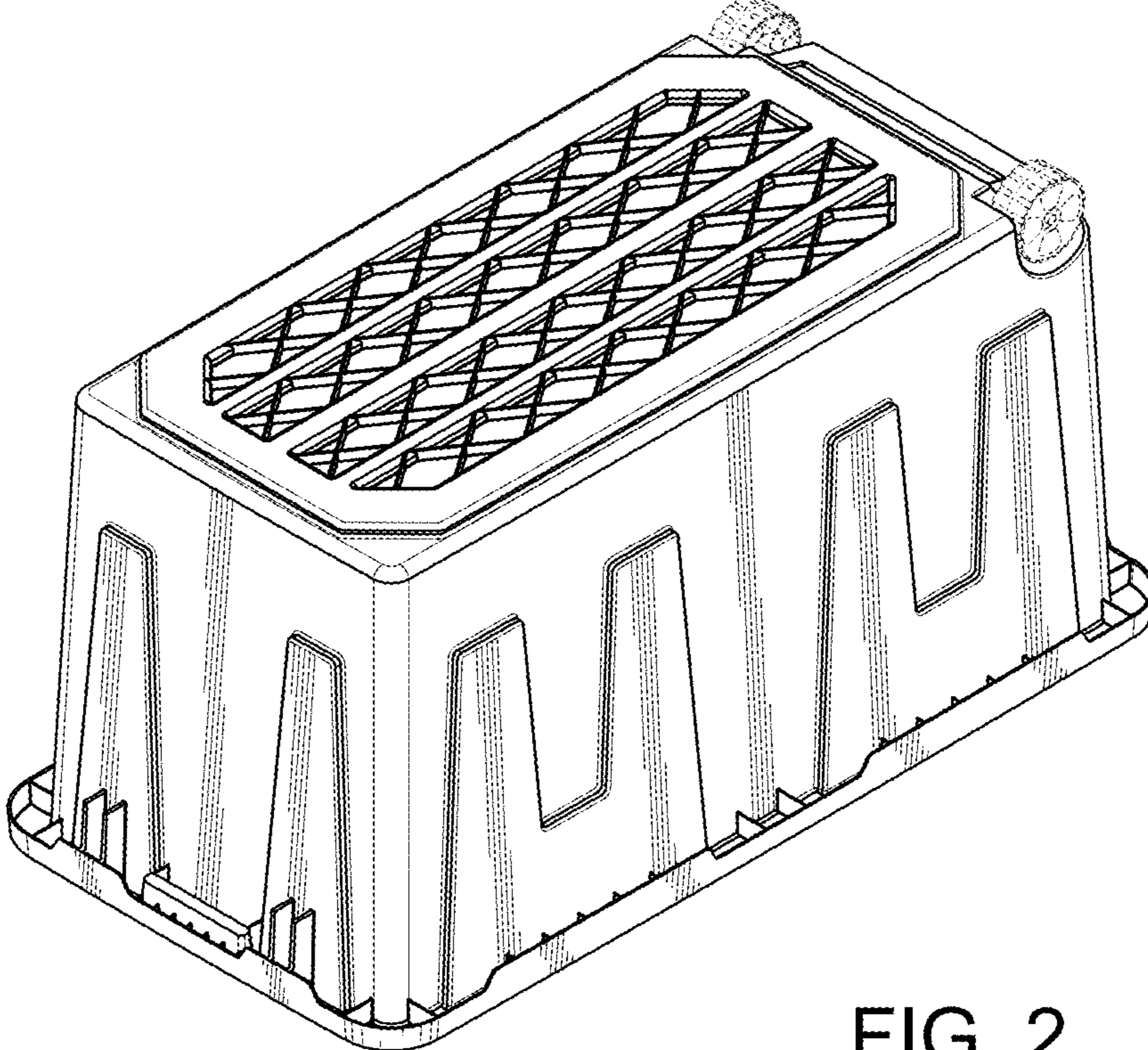


FIG. 2

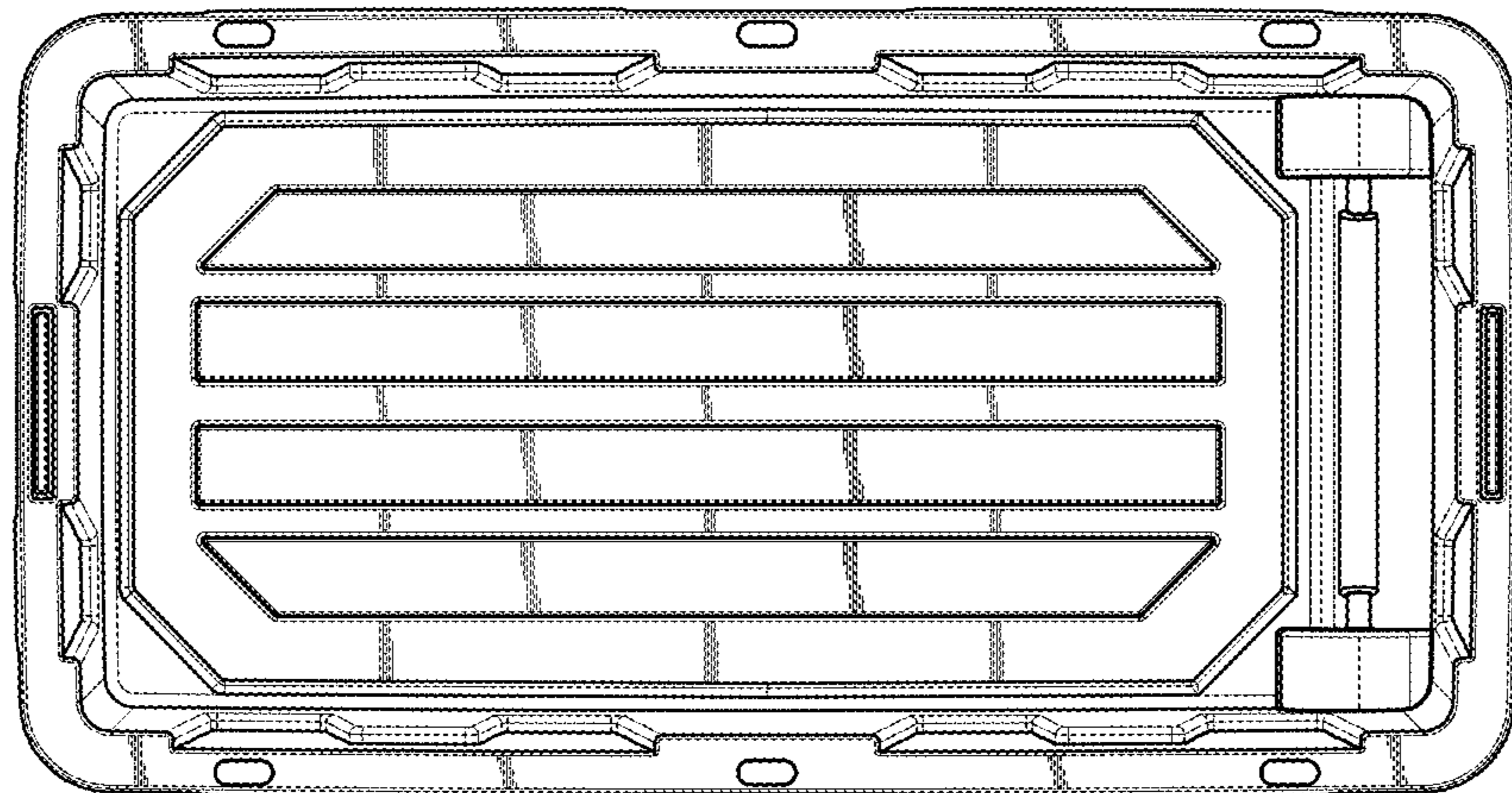


FIG. 3

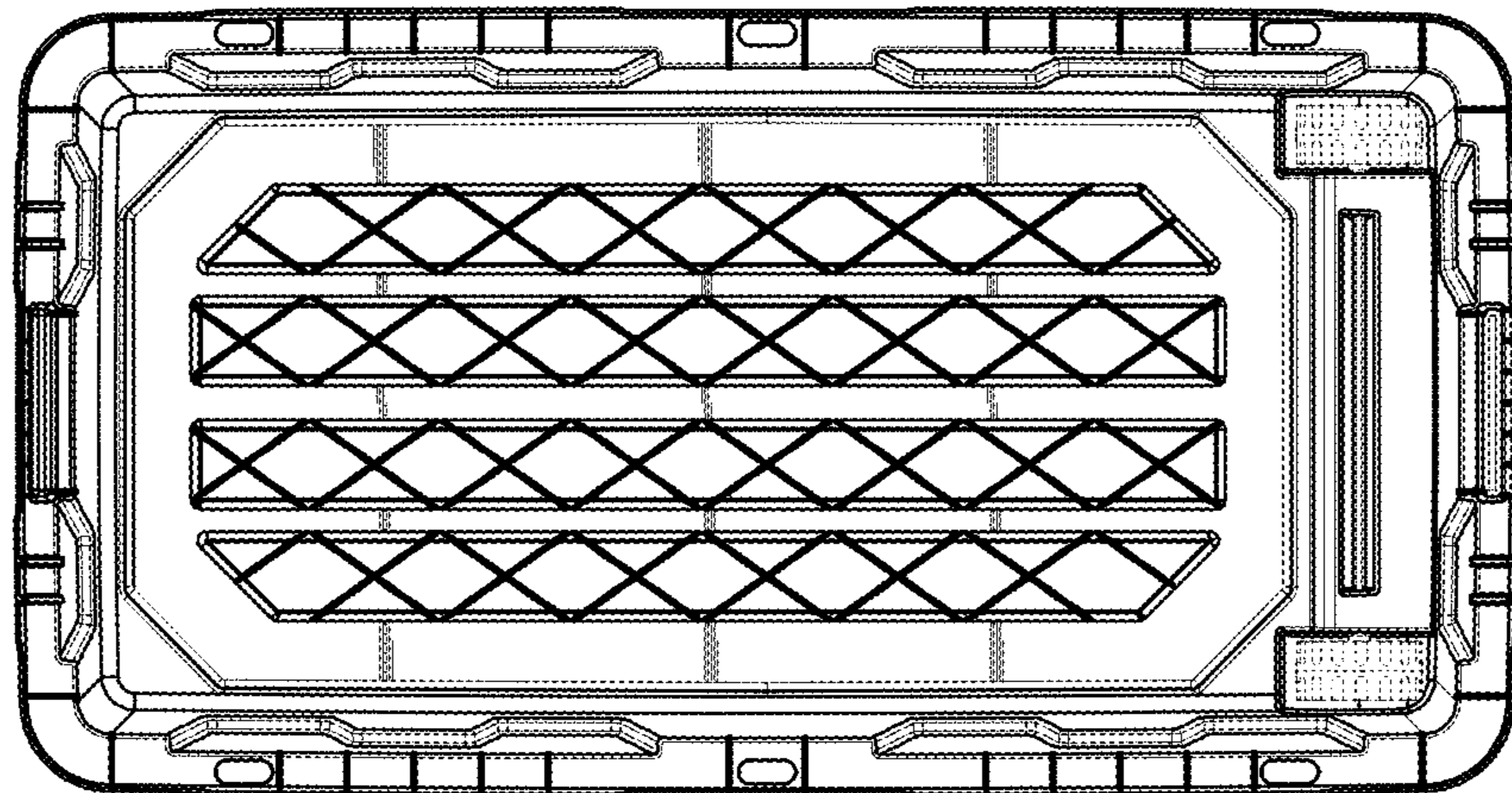


FIG. 4

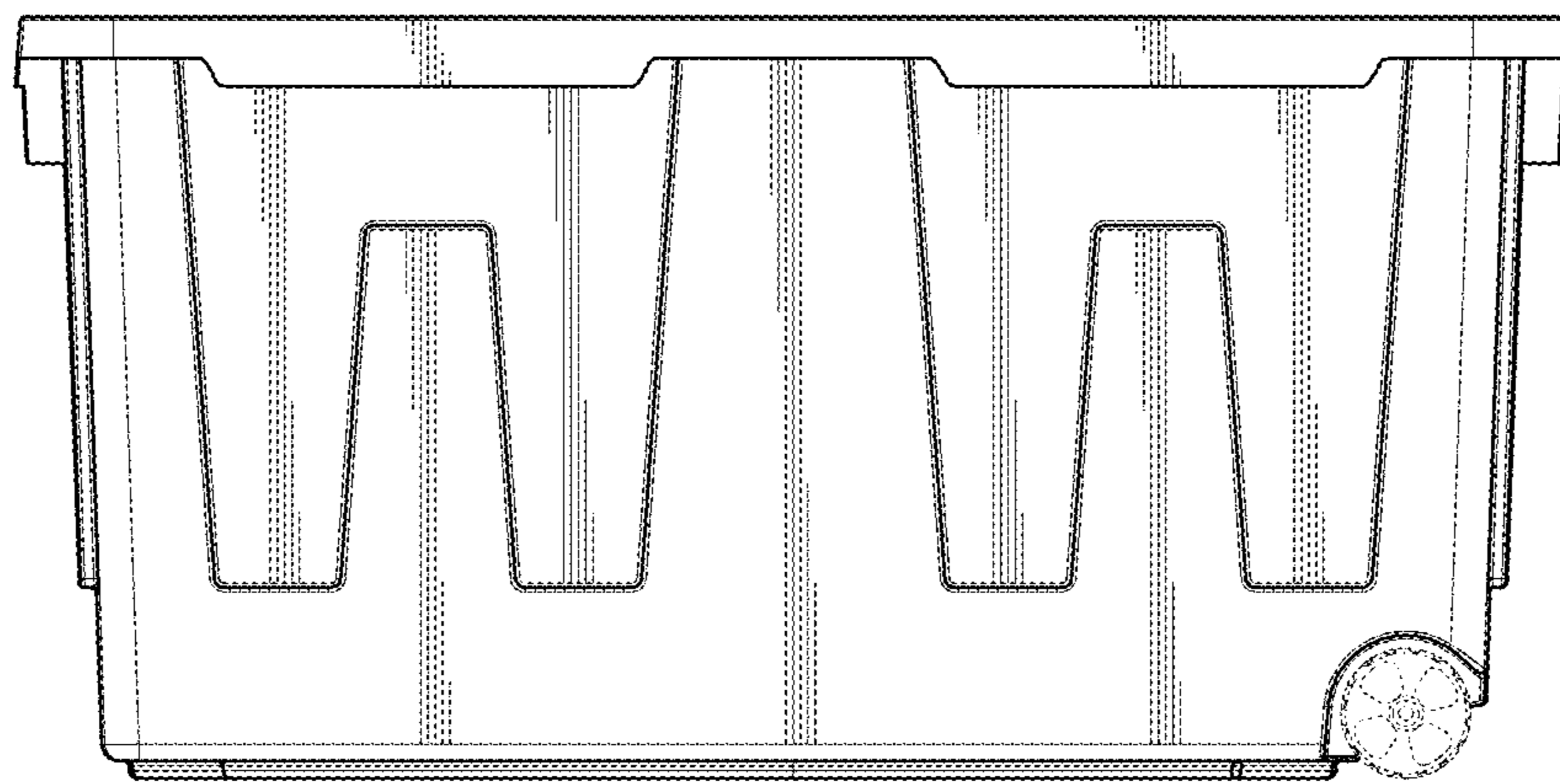


FIG. 5

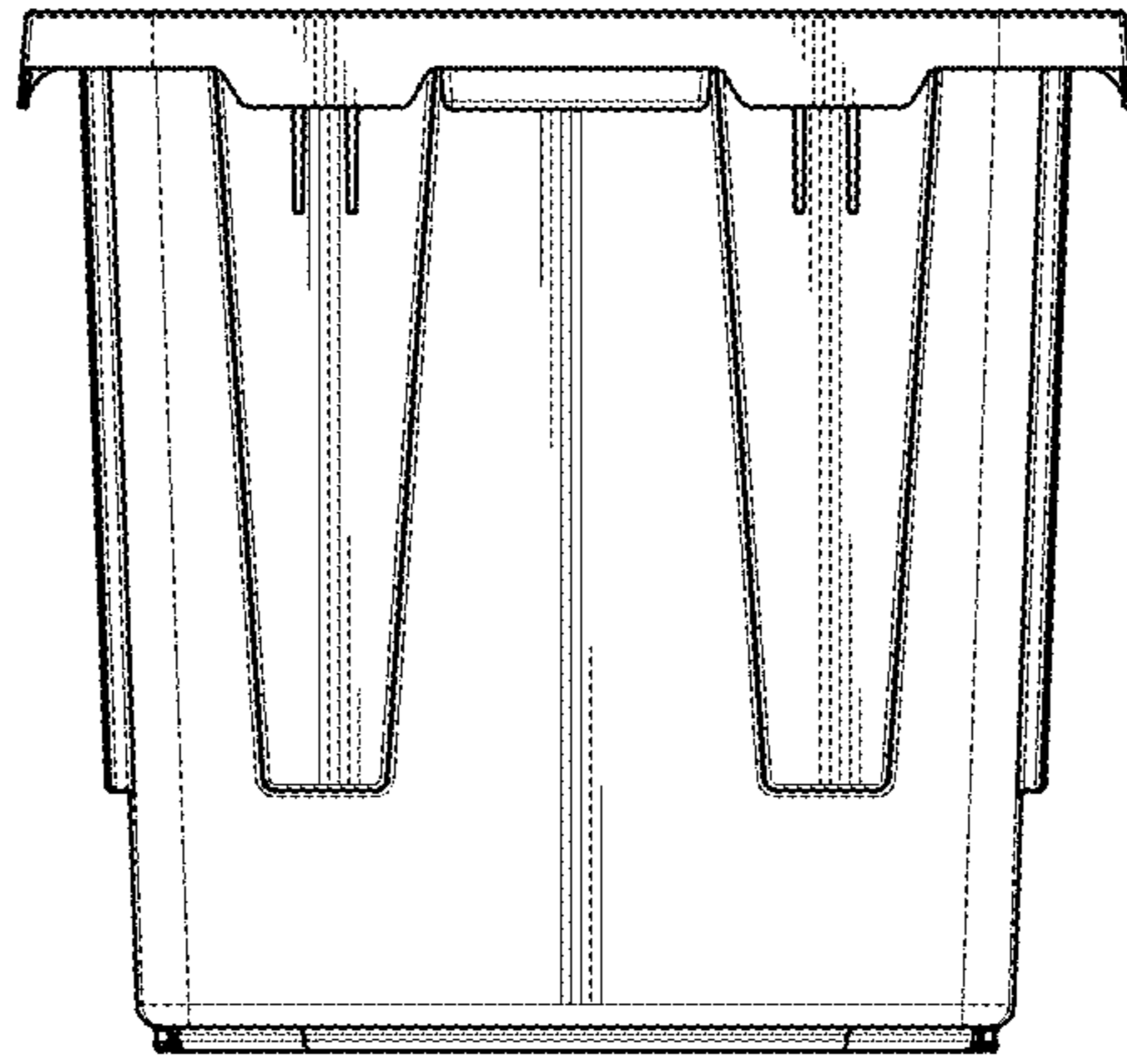


FIG. 6

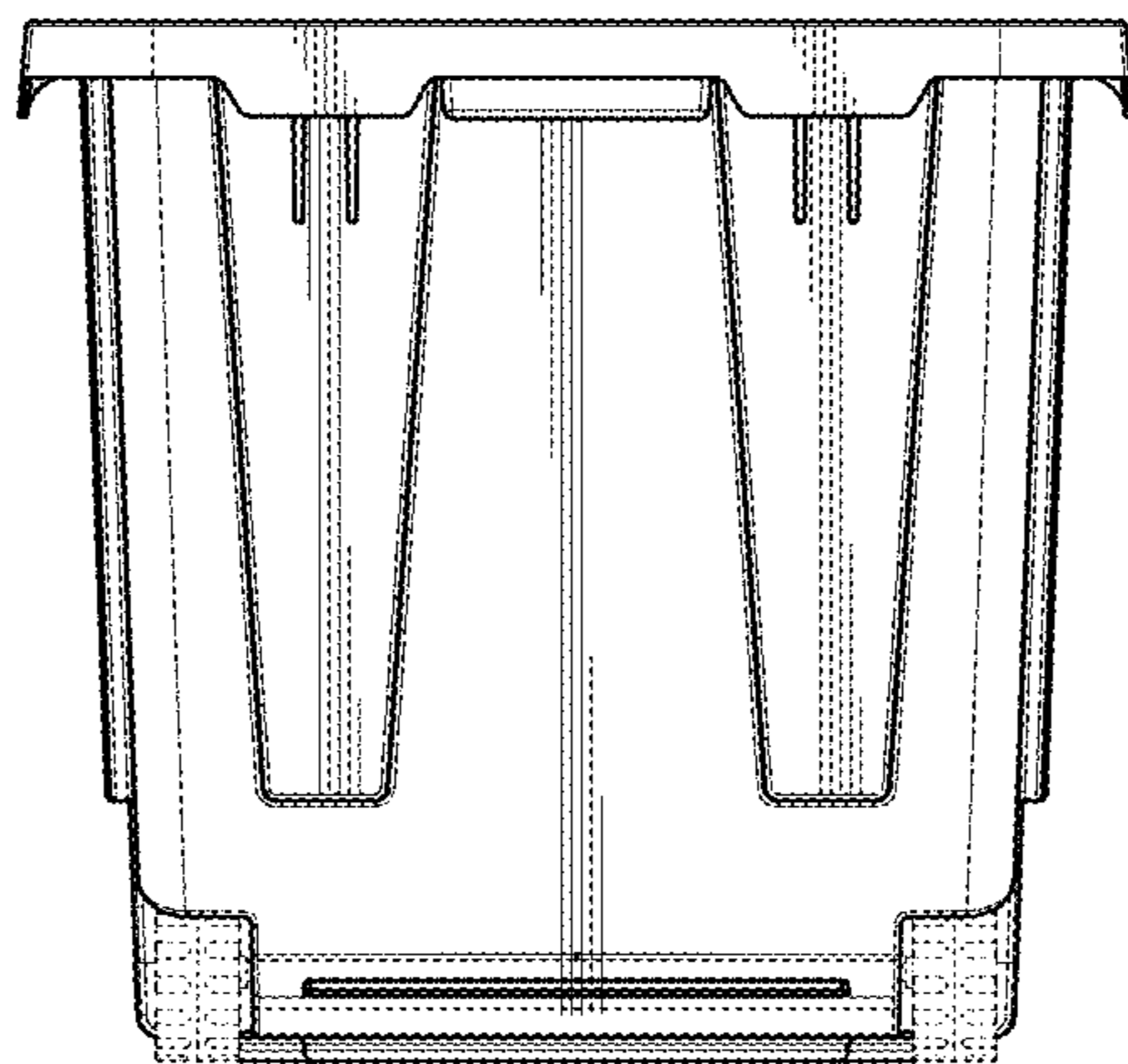


FIG. 7