



US00D987293S

(12) **United States Design Patent** (10) **Patent No.:** **US D987,293 S**
Shao (45) **Date of Patent:** **** May 30, 2023**

(54) **TOOL BOX**

(71) Applicant: **HANGZHOU HUIKANG TOOLS CO., LTD.**, Hangzhou (CN)

(72) Inventor: **Yingzi Shao**, Hangzhou (CN)

(73) Assignee: **HANGZHOU HUIKANG TOOLS CO., LTD.**, Hangzhou (CN)

(**) Term: **15 Years**

(21) Appl. No.: **29/766,778**

(22) Filed: **Jan. 19, 2021**

(30) **Foreign Application Priority Data**

Jan. 8, 2021 (CN) 202130011320.8

(51) **LOC (14) Cl.** **03-01**

(52) **U.S. Cl.**
USPC **D3/293; D3/905**

(58) **Field of Classification Search**
USPC D3/20, 200, 201, 203.1, 203.2, 203.3,
D3/203.5, 203.6, 203.7, 203.8, 206, 207,
D3/269, 272–276, 279–281, 283, 284,
D3/288, 291, 294–297, 304, 318–323,
D3/900–905, 293; D7/601, 602, 609,
(Continued)

(56) **References Cited**

U.S. PATENT DOCUMENTS

D328,188 S * 7/1992 Jacobsen D3/270
D360,757 S * 8/1995 Snetting D3/276

(Continued)

FOREIGN PATENT DOCUMENTS

CN 307484163 * 5/2022
CN 307546605 * 6/2022

(Continued)

OTHER PUBLICATIONS

NordWolf Drill Bit Set, available at amazon.com, earliest date available Nov. 2, 2022 [online], site visited Jan. 9, 2023, available from the internet URL: <https://www.amazon.com/NordWolf-5-Piece-Cobalt-Reverse-Extractors/dp/B0BL6F669S?> (Year: 2022).*

(Continued)

Primary Examiner — April Rivas

Assistant Examiner — Jillian Mazzola

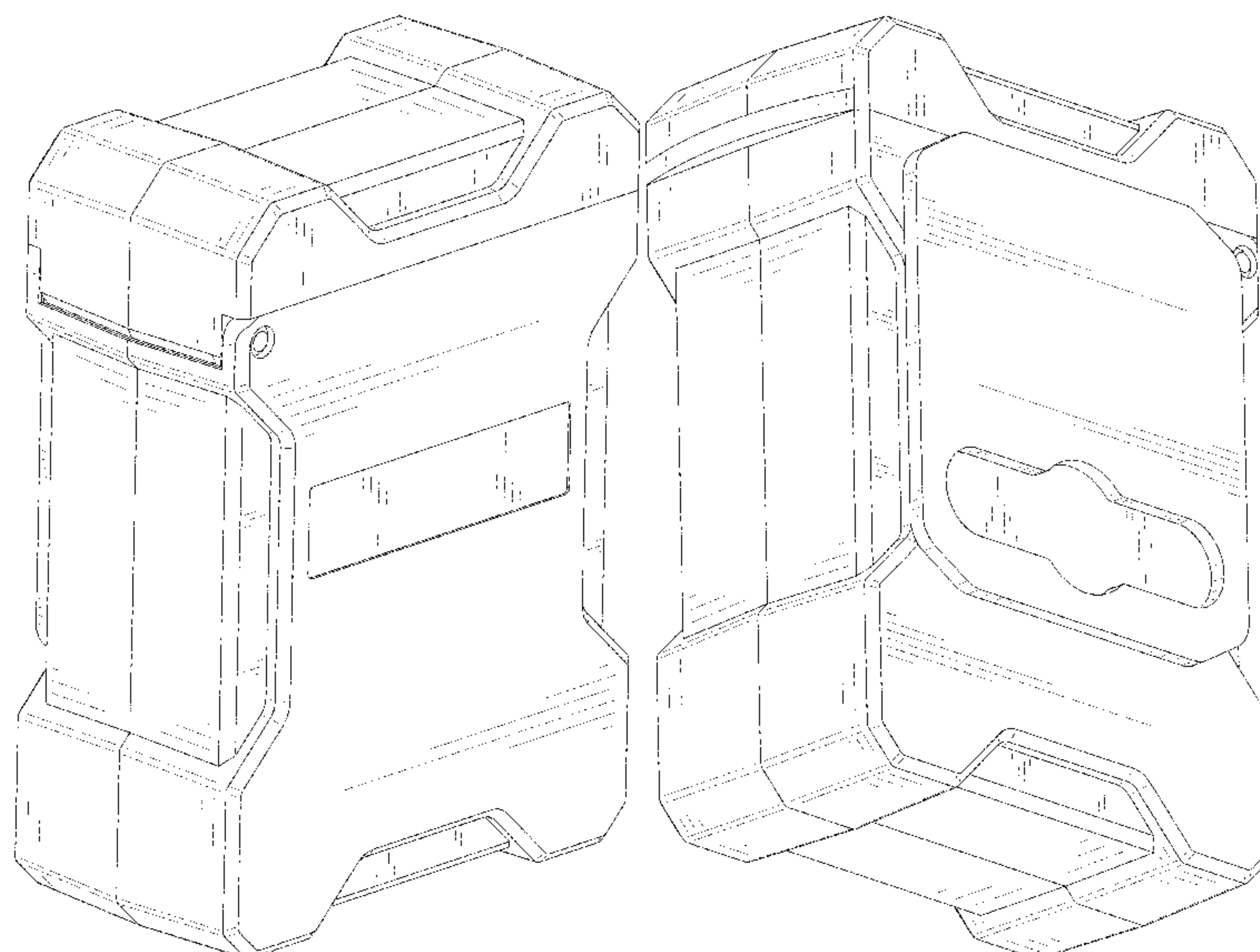
(57) **CLAIM**

The ornamental design for a tool box, as shown and described.

DESCRIPTION

FIG. 1 is a perspective view of a tool box showing my new design;
FIG. 2 is another perspective view thereof;
FIG. 3 is a front elevational view thereof;
FIG. 4 is a rear elevational view thereof;
FIG. 5 is a left side elevational view thereof;
FIG. 6 is a right side elevational view thereof;
FIG. 7 is a top plan view thereof;
FIG. 8 is a bottom plan view thereof;
FIG. 9 is an enlarged view of portion 9 shown in FIG. 5;
FIG. 10 is an enlarged view of portion 10 shown in FIG. 6;
FIG. 11 is an enlarged view of portion 11 shown in FIG. 7;
and,
FIG. 12 is an enlarged view of portion 12 shown in FIG. 8.
The dashed broken lines in the drawings depict portions of the tool box that form no part of the claimed design. The dot-dash broken lines in the drawings depict boundaries of the enlarged portions that form no part of the claimed design.

1 Claim, 12 Drawing Sheets



(58) Field of Classification Search

USPC D7/614, 701, 703, 387, 392, 393; D8/300, 303; D9/700, 721, 756-760, D9/904, 414, 420, 434, 435, 499; D12/423-426; D13/152, 184; D14/511, D14/134, 203.4; D18/3.2; D24/224-227, D24/229; D27/172, 186; D99/28
CPC B25H 3/00; B25H 3/003; B25H 3/006; B25H 3/02; B25H 3/021; B25H 3/022; B25H 3/023; B65D 67/00; B65D 67/02; B65D 69/00; B65D 81/00; B65D 81/02; B65D 81/022; B65D 88/00; B65D 88/005; B65D 88/02; B65D 88/022; B65G 1/02

See application file for complete search history.

(56) References Cited

U.S. PATENT DOCUMENTS

D472,384 S * 4/2003 Richardson D3/273
D477,912 S * 8/2003 Cunningham D3/273
D481,868 S * 11/2003 Cunningham D3/273
D502,316 S * 3/2005 Chen D3/273
D531,805 S * 11/2006 Aglassinger D3/315
D543,357 S * 5/2007 Corcoran D3/276
D555,358 S * 11/2007 King D3/293
D563,669 S * 3/2008 Bosak D3/905
D566,392 S * 4/2008 Aglassinger D3/905
D569,616 S * 5/2008 Lin D3/273
D613,506 S * 4/2010 Aglassinger D3/905
D665,167 S * 8/2012 Haener D3/276
D712,137 S * 9/2014 Hsu D3/905

D733,429 S * 7/2015 Grenier D3/905
D776,523 S * 1/2017 Sabbag D9/425
D799,822 S * 10/2017 Kanda D3/276
D805,667 S * 12/2017 Green D26/39
D898,358 S * 10/2020 Chagnon D3/279
D912,390 S * 3/2021 Hyun D3/273
D914,603 S * 3/2021 Wang D3/321
D958,533 S * 7/2022 Shao D3/905
D960,572 S * 8/2022 Chang D3/276
2021/0078159 A1 * 3/2021 Jiang B65D 21/0213
2022/0355462 A1 * 11/2022 Cho B25H 3/021

FOREIGN PATENT DOCUMENTS

CN 307573284 * 6/2022
EM 009173420-0001 * 9/2022

OTHER PUBLICATIONS

AKM 25Pcs Screw Extractor Set, available at amazon.com, earliest date available Aug. 10, 2021 [online], site visited Jan. 9, 2023, available from the internet URL: https://www.amazon.com/dp/B09C7YPYZ7/?th=1 (Year: 2021).*
Dewalt Tool Box, available at amazon.com, earliest date available Oct. 16, 2019 [online], site visited Jan. 9, 2023, available from the internet URL: https://www.amazon.com/DEWALT-Tool-Tough-Medium-DWAN2190/dp/B07Z6XBYJT/ (Year: 2019).*
Milwaukee Step Drill Bit Set, available at amazon.com, earliest date available May 9, 2013 [online], site visited Jan. 9, 2023, available from the internet URL: https://www.amazon.com/Milwaukee-48-89-9223-Step-Bit-4-Piece/dp/B00KYA6Y6A/ (Year: 2013).*

* cited by examiner

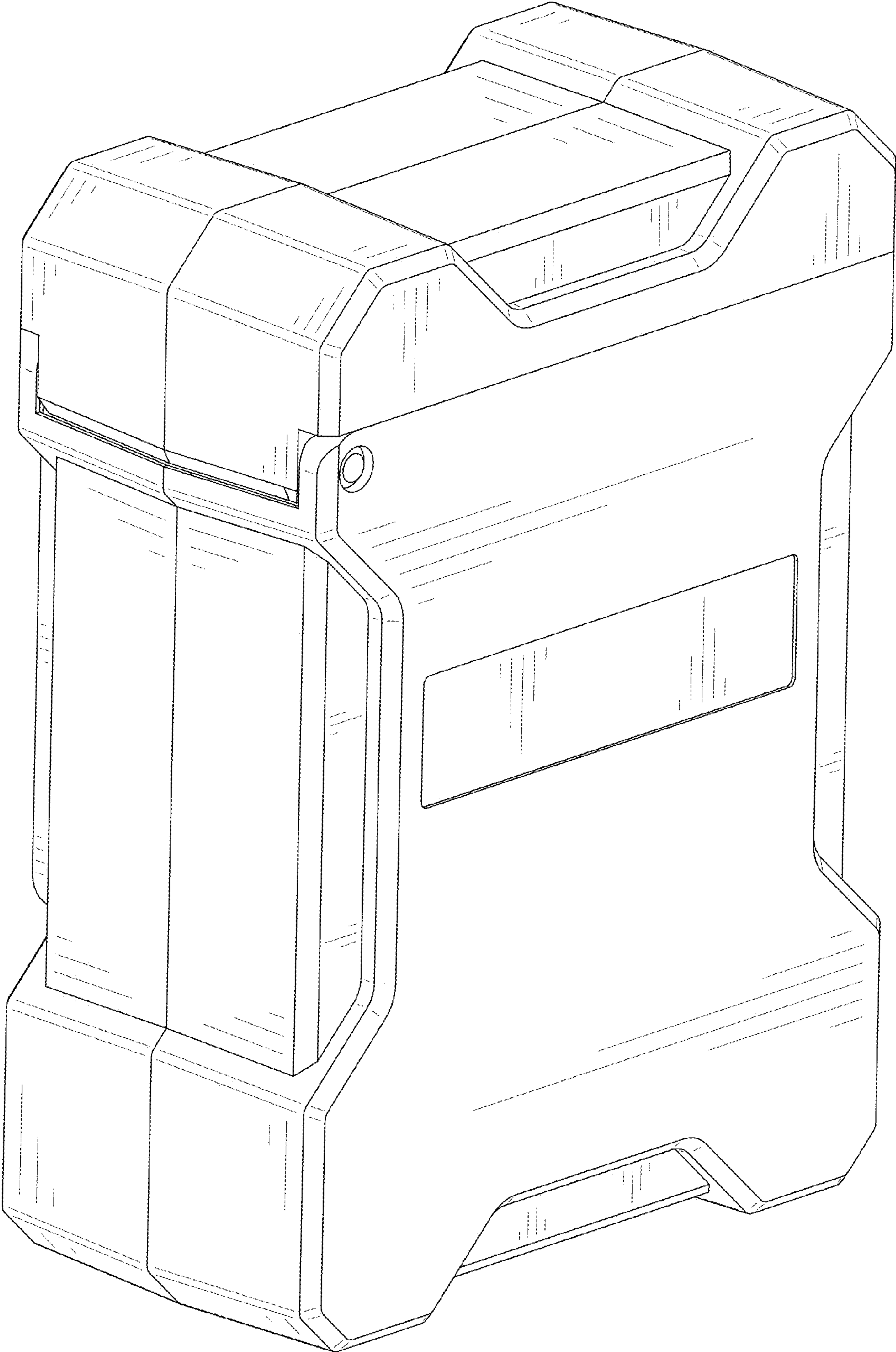


FIG. 1

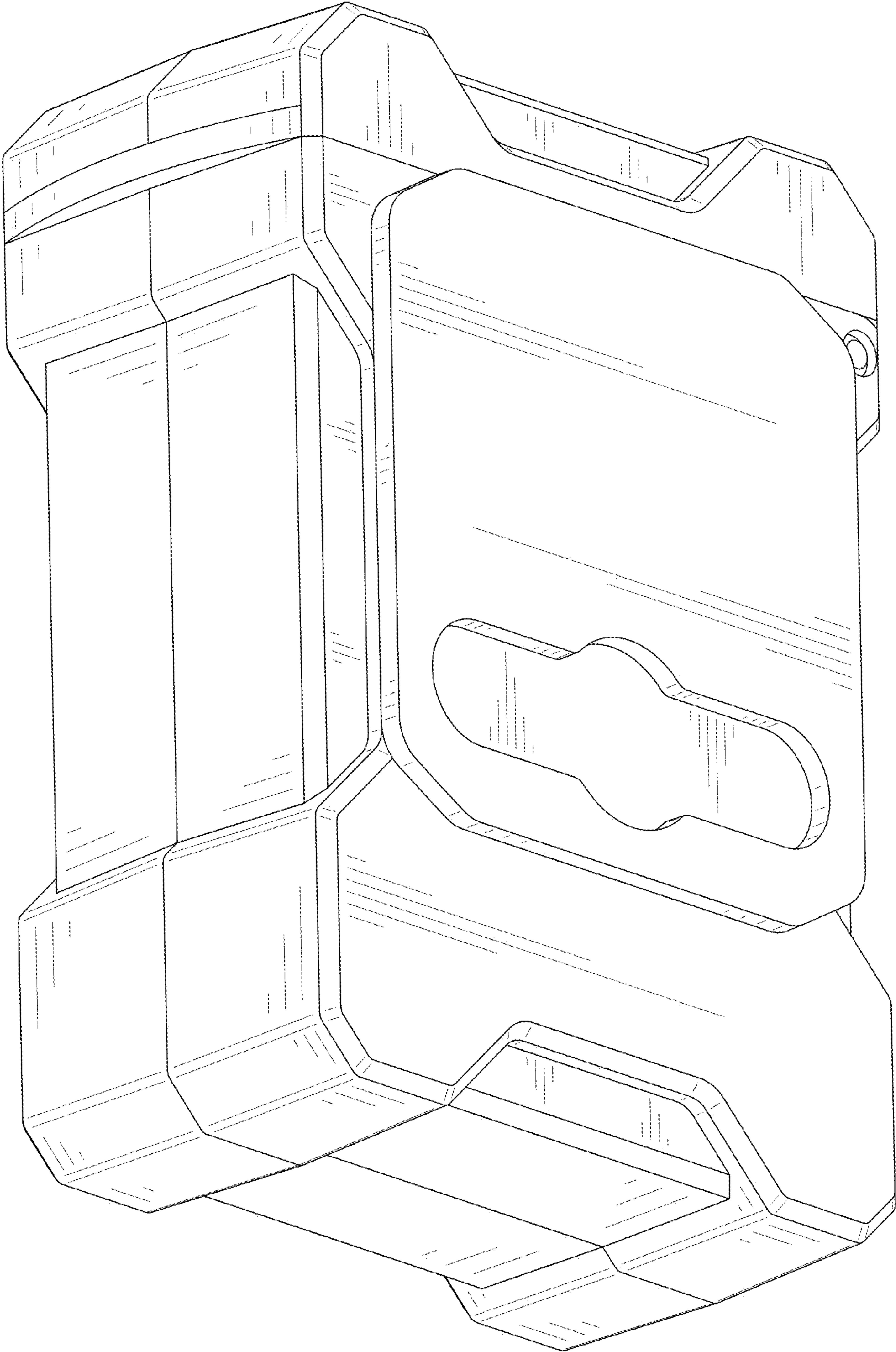


FIG. 2

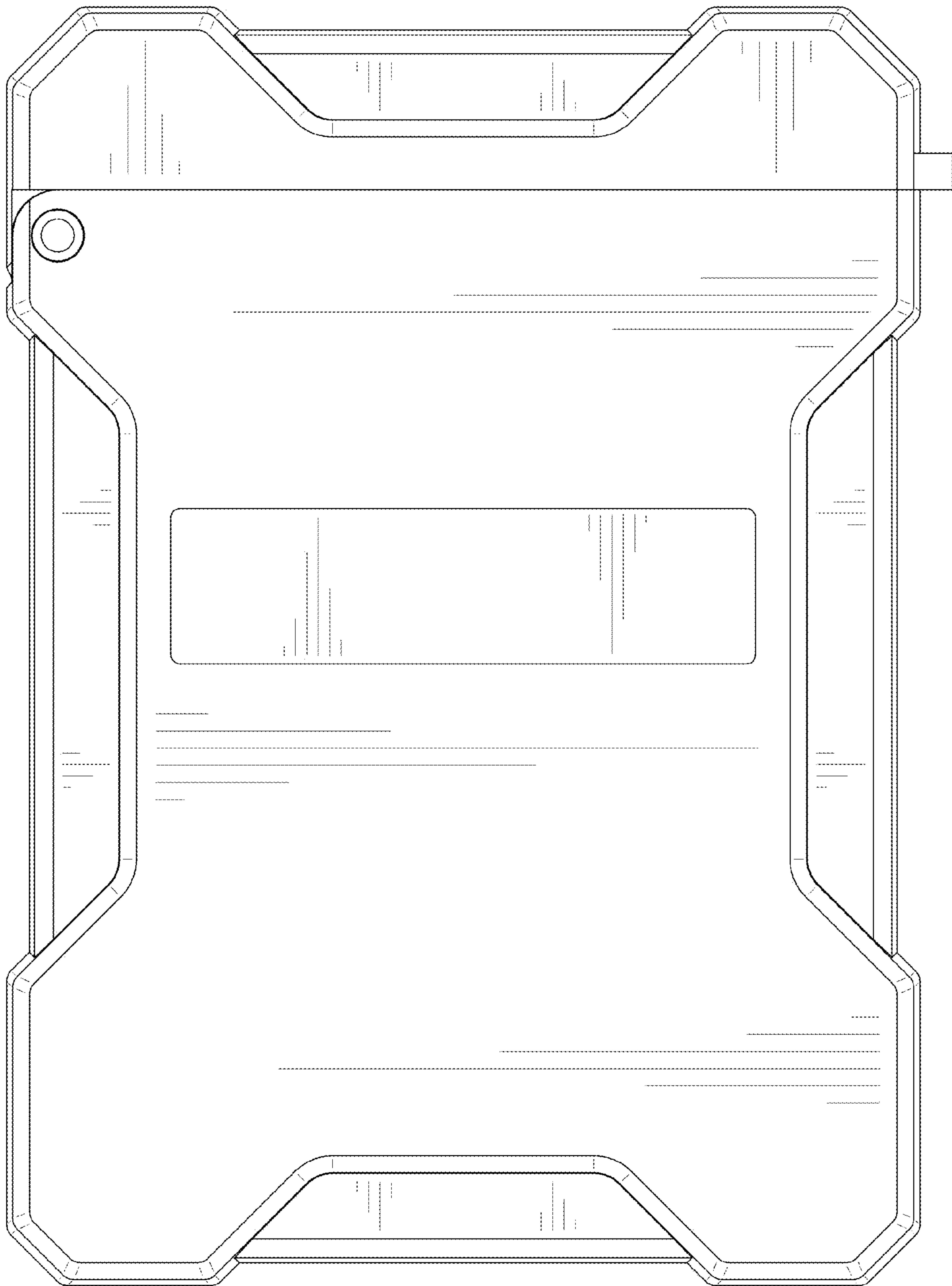


FIG. 3

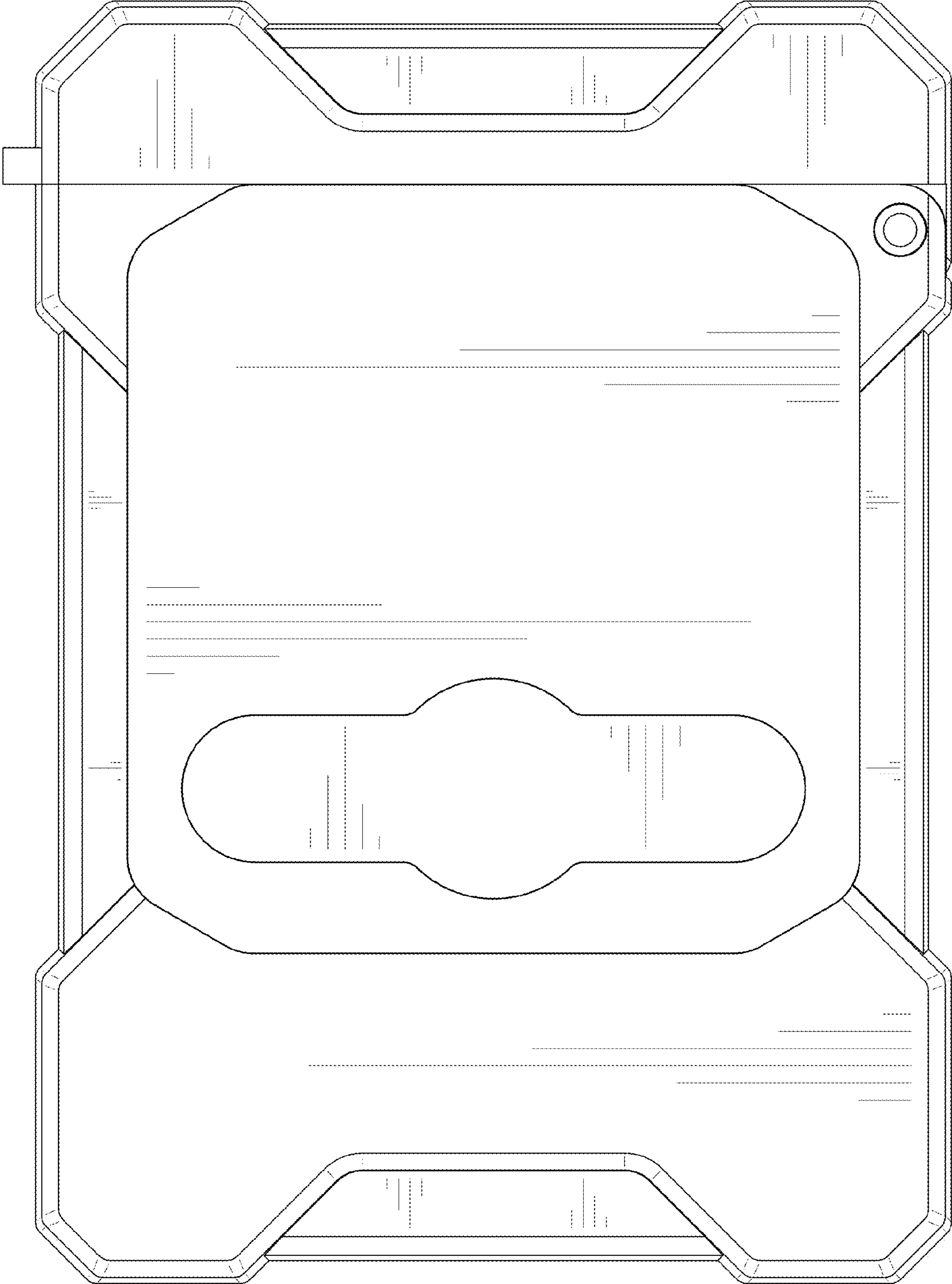


FIG. 4

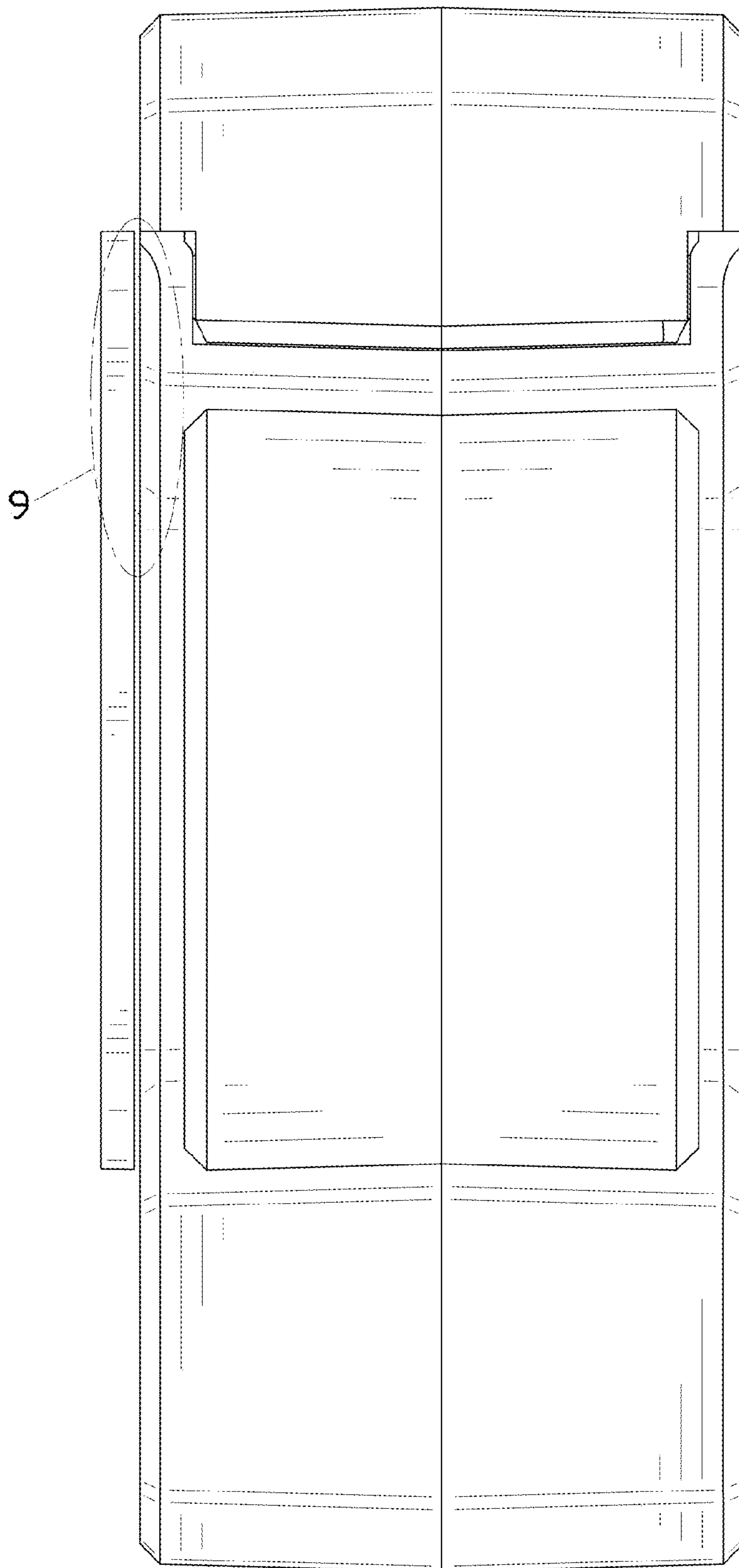


FIG. 5

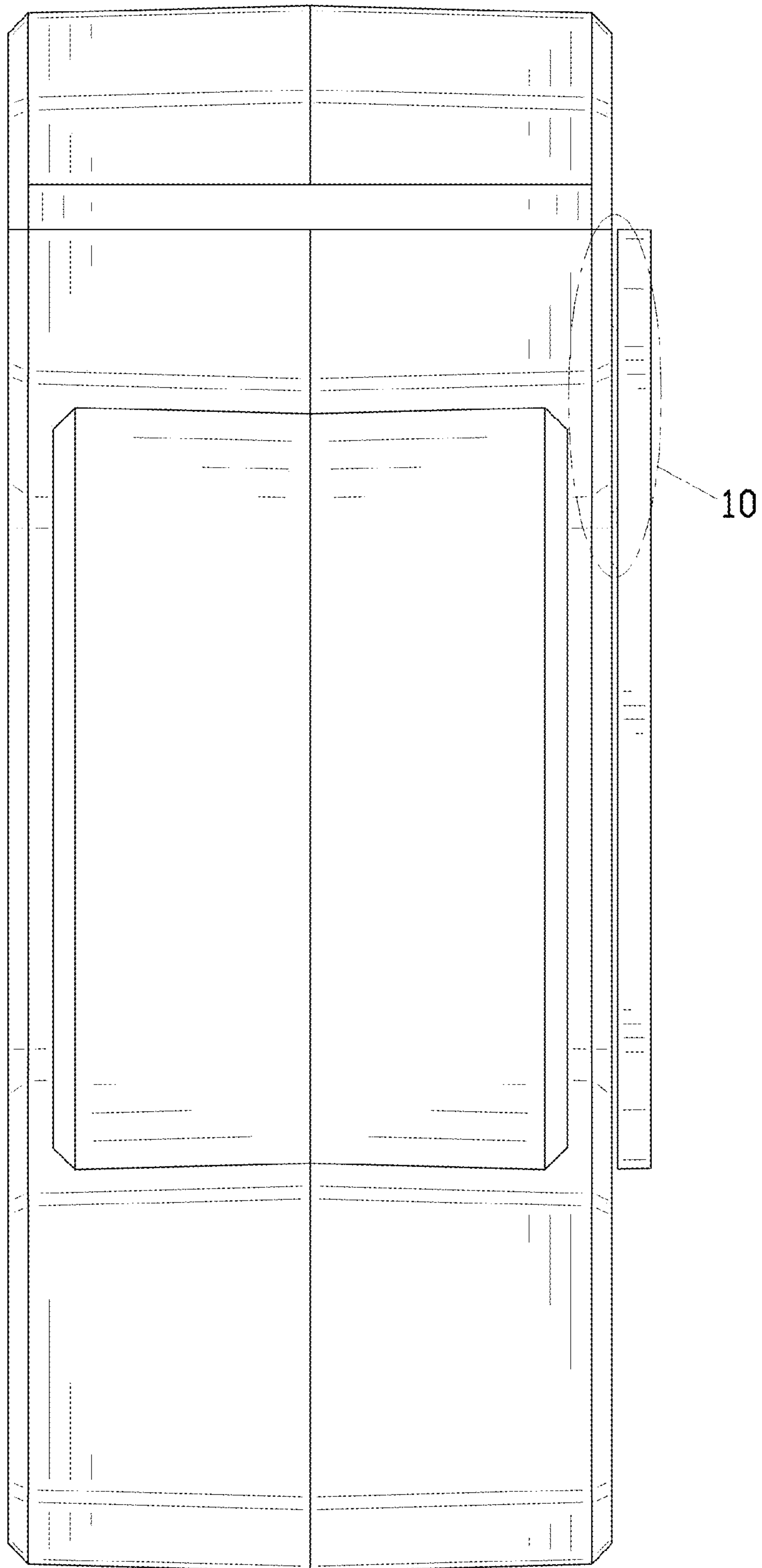


FIG. 6

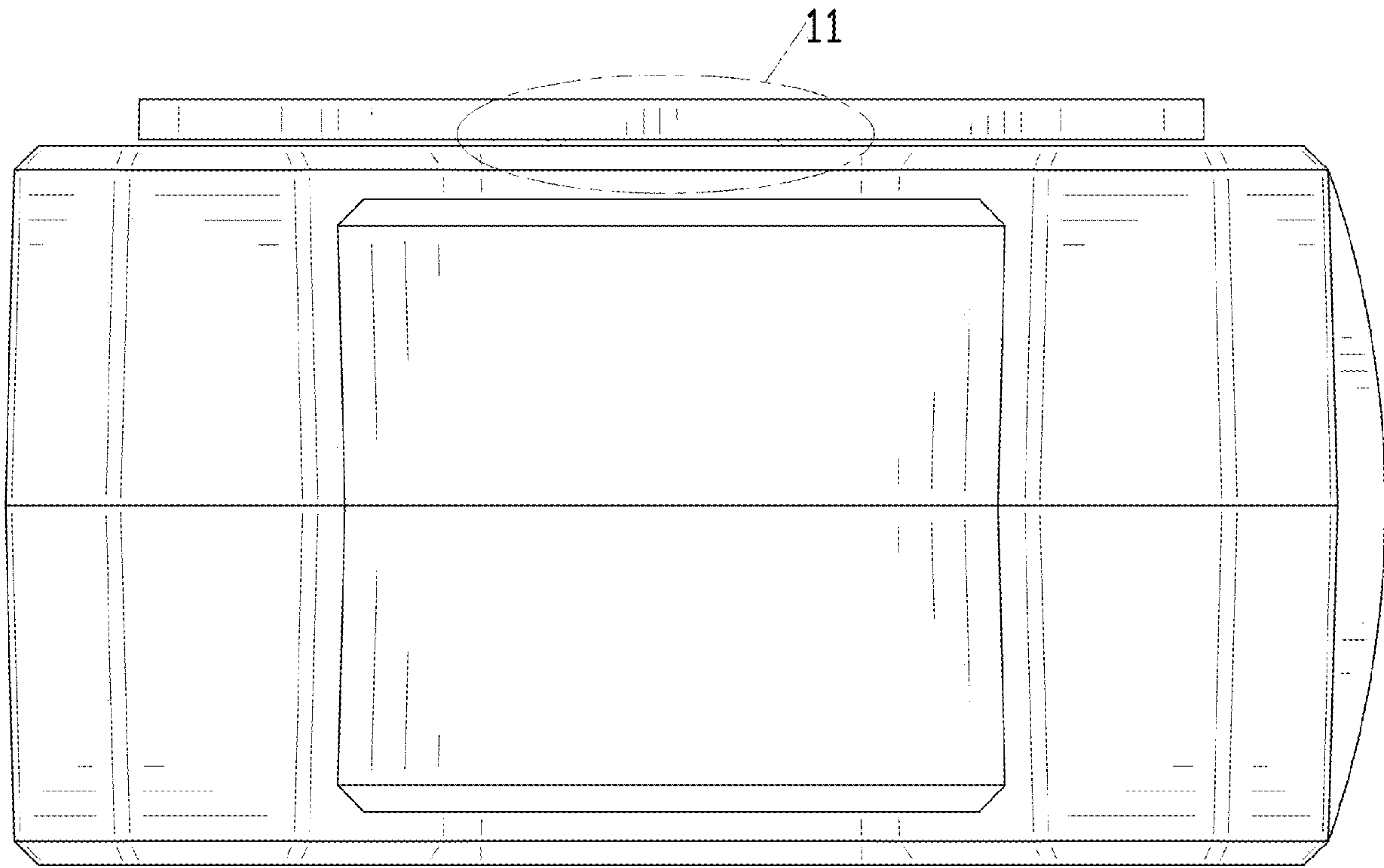


FIG. 7

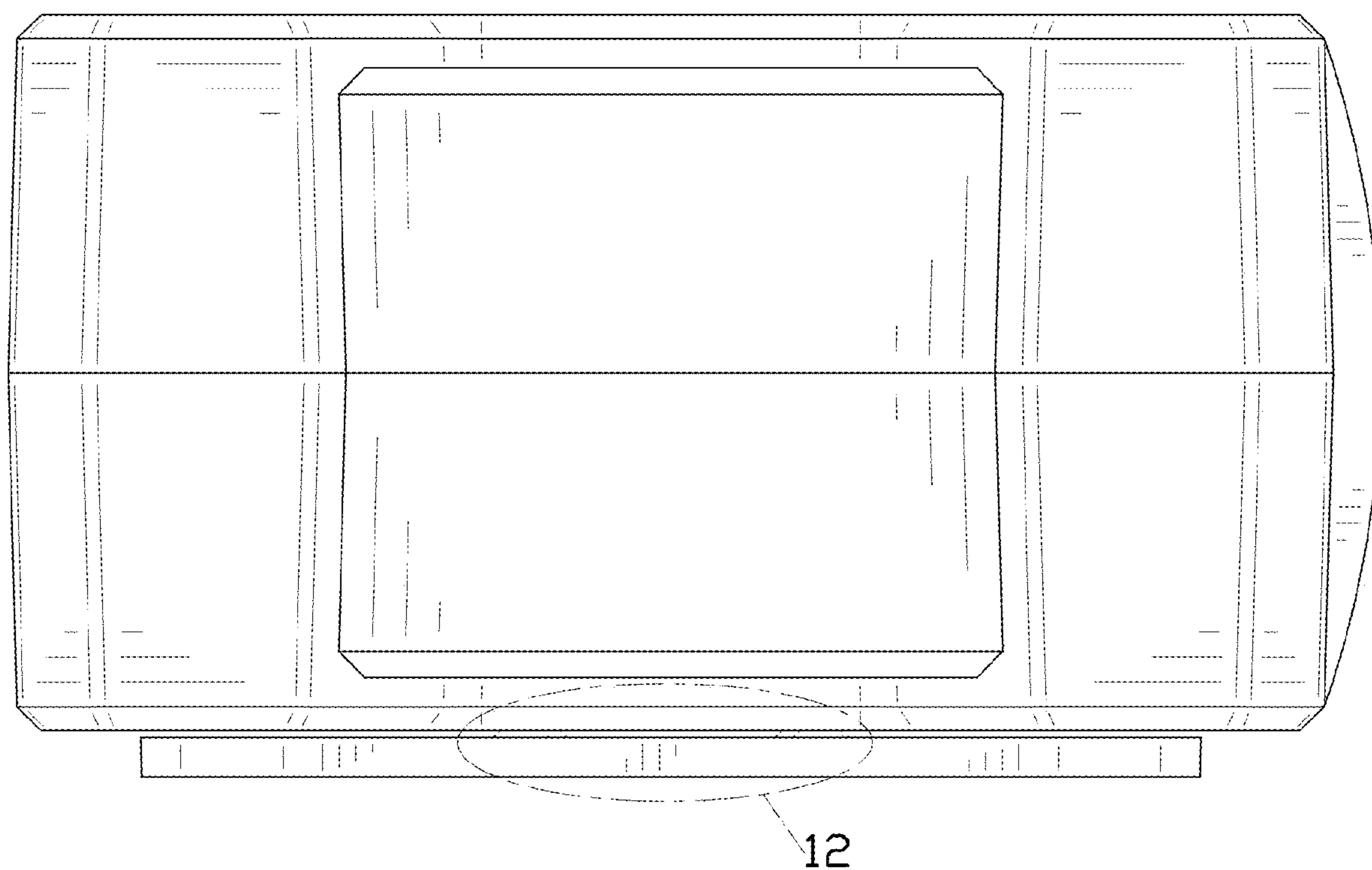


FIG. 8

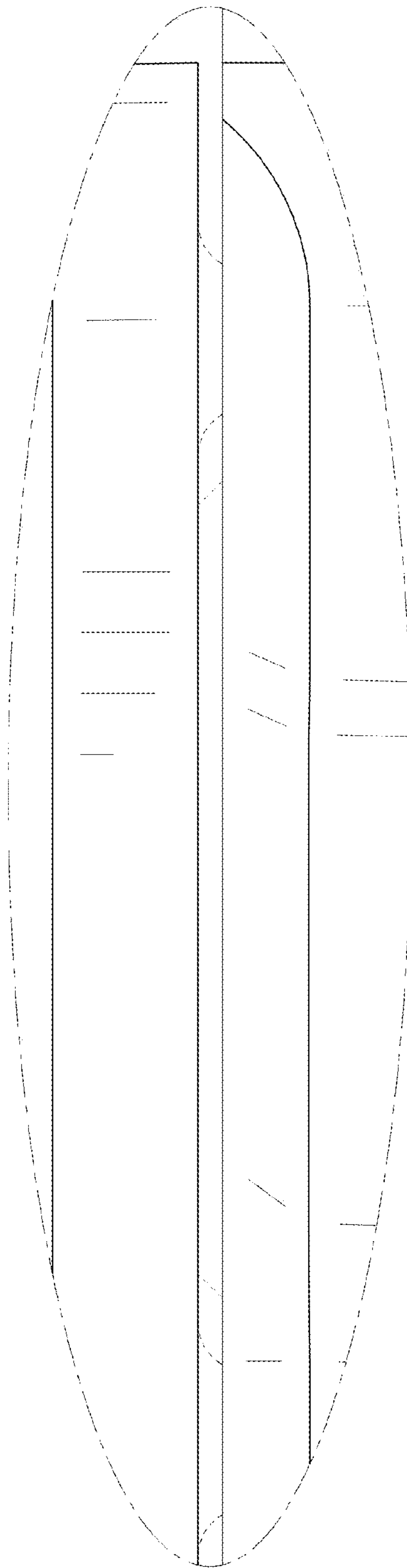


FIG. 9

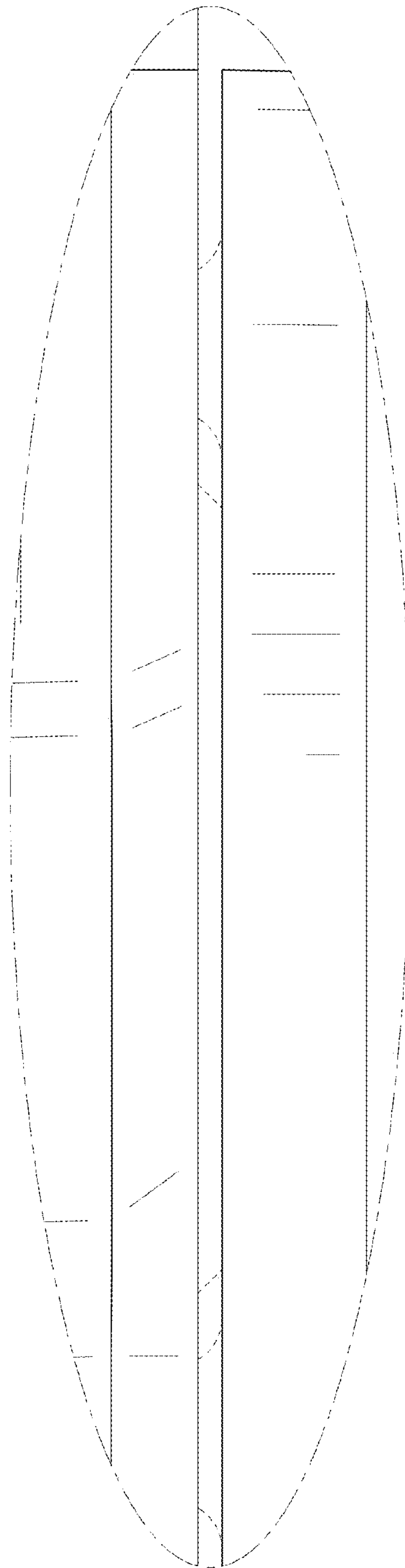


FIG. 10

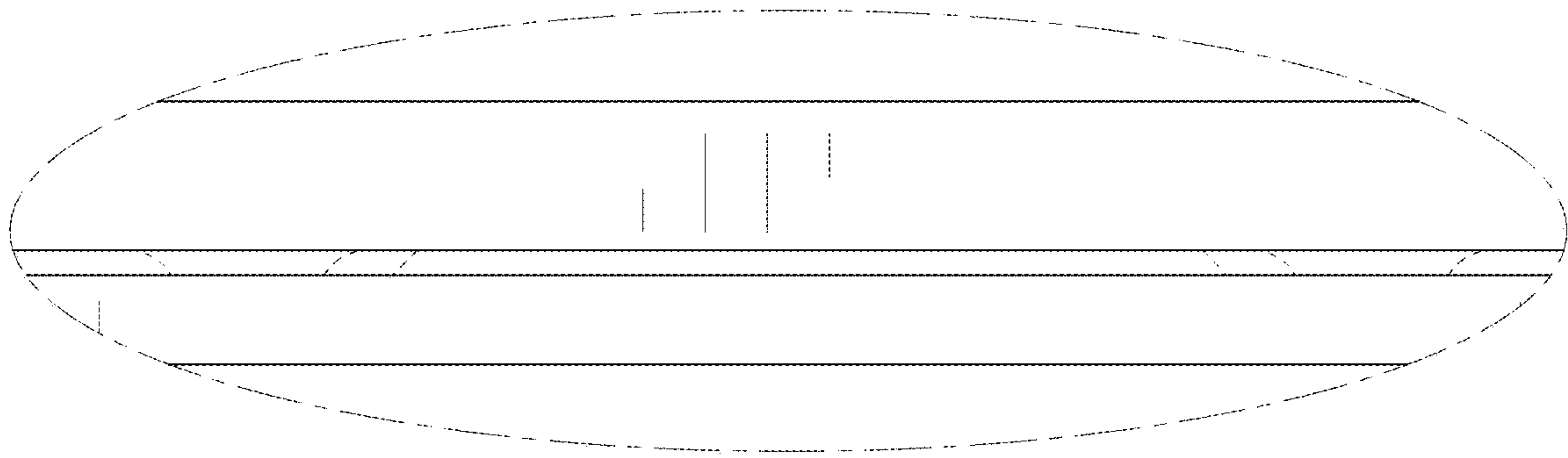


FIG. 11

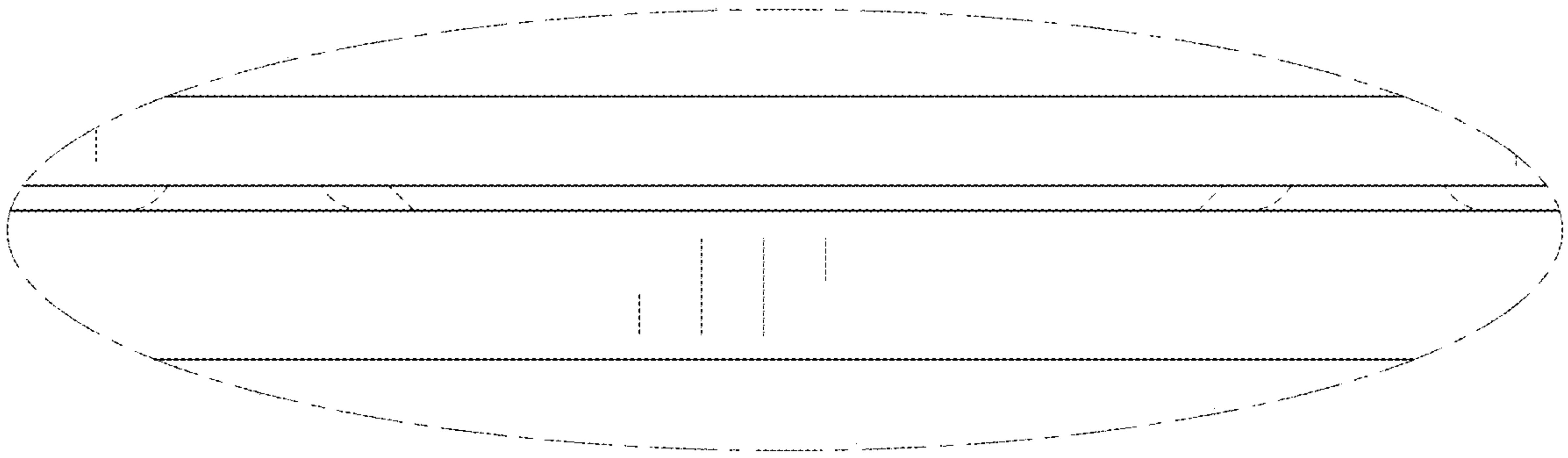


FIG. 12