



US00D987290S

(12) **United States Design Patent**
Boragno

(10) **Patent No.:** **US D987,290 S**

(45) **Date of Patent:** **** May 30, 2023**

(54) **HANDBAG**

(71) Applicant: **LOUIS VUITTON MALLETIER,**
Paris (FR)

(72) Inventor: **Guido Boragno,** Paris (FR)

(73) Assignee: **LOUIS VUITTON MALLETIER,**
Paris (FR)

(**) Term: **15 Years**

(21) Appl. No.: **29/761,791**

(22) Filed: **Dec. 11, 2020**

(30) **Foreign Application Priority Data**

Jun. 27, 2020 (FR) 2020-2957

(51) **LOC (14) Cl.** **03-01**

(52) **U.S. Cl.**
USPC **D3/232; D3/289**

(58) **Field of Classification Search**
USPC D3/232-233, 243-246, 276, 289-291,
D3/300-301, 304, 307, 318, 322-324,
D3/900

CPC A45C 2013/025; A45C 13/02; A45C
2011/003; A45C 3/02; A45C 3/06; Y10S
190/90; A45F 2200/0525; A45F 3/02
See application file for complete search history.

(56) **References Cited**

U.S. PATENT DOCUMENTS

D284,623 S * 7/1986 Gerch D3/274
D358,483 S * 5/1995 Cross D3/276
D441,533 S * 5/2001 Tawil D3/276
D524,050 S * 7/2006 Suppangig D3/289

D535,101 S * 1/2007 Suppangig D3/289
D546,058 S * 7/2007 Guyon D3/233
D570,110 S * 6/2008 Guyon D3/246
D605,854 S * 12/2009 Gracer D3/297
D857,390 S * 8/2019 Kwon D3/301
D889,829 S * 7/2020 Thibadeau D3/289
D946,278 S * 3/2022 Mo D3/289
2004/0134813 A1 * 7/2004 Domotor A45C 3/02
206/320
2016/0120280 A1 * 5/2016 Dingier A45F 3/02
224/608

FOREIGN PATENT DOCUMENTS

EM 008312573-0003 * 12/2020
HK 2017235.1 * 12/2020

* cited by examiner

Primary Examiner — Jennifer L Watkins

Assistant Examiner — Samantha Lynne Brodowski

(74) *Attorney, Agent, or Firm* — Fross, Zelnick, Lehrman
& Zissu PC; Charles T. J. Weigell, Esq.

(57) **CLAIM**

The ornamental design for a handbag, as shown and described.

DESCRIPTION

FIG. 1 is a front perspective view of a handbag showing my new design;

FIG. 2 is a front view thereof;

FIG. 3 is a back view thereof;

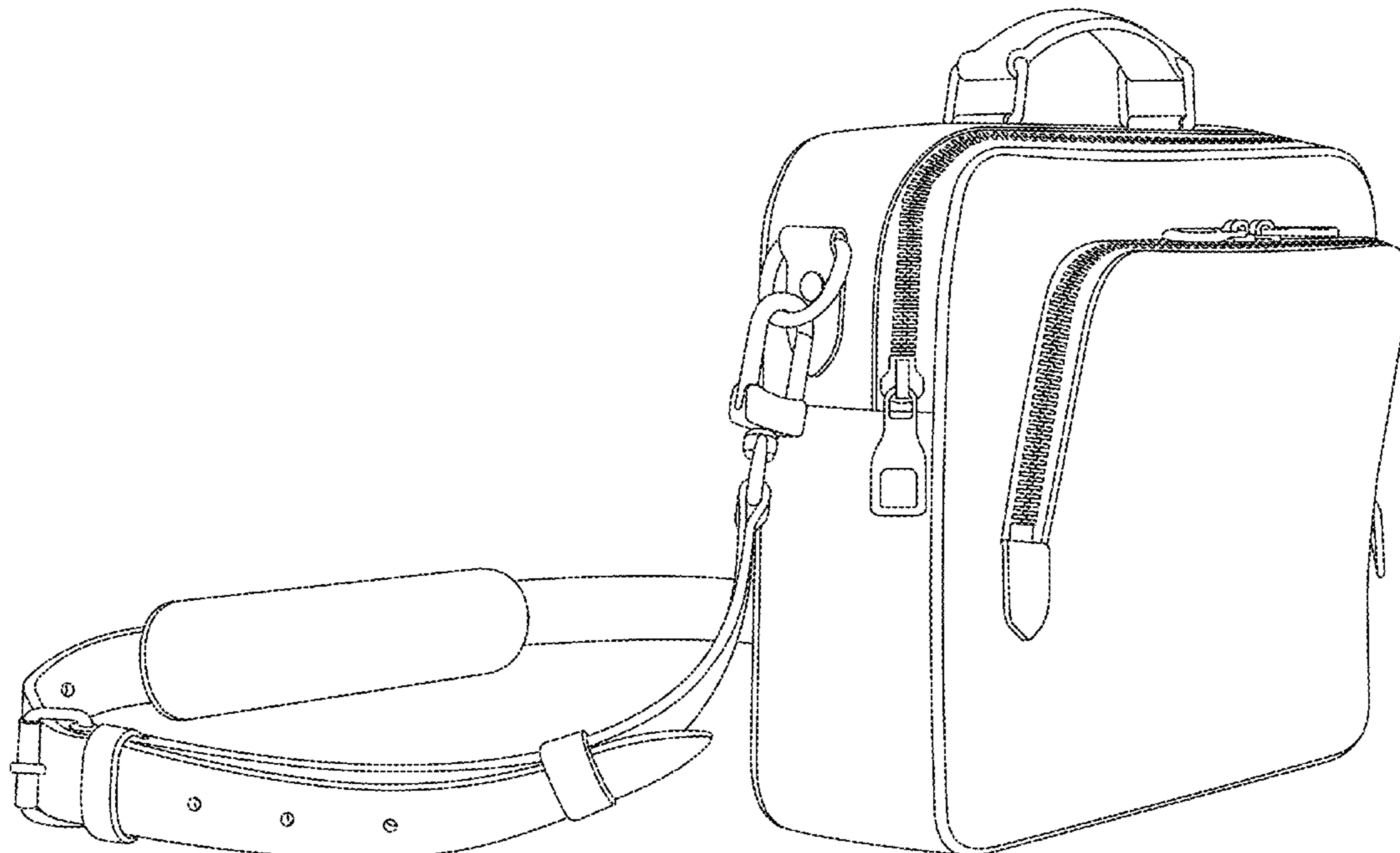
FIG. 4 is a right side view thereof;

FIG. 5 is a left side view thereof;

FIG. 6 is a top view thereof; and,

FIG. 7 is a bottom view thereof.

1 Claim, 7 Drawing Sheets



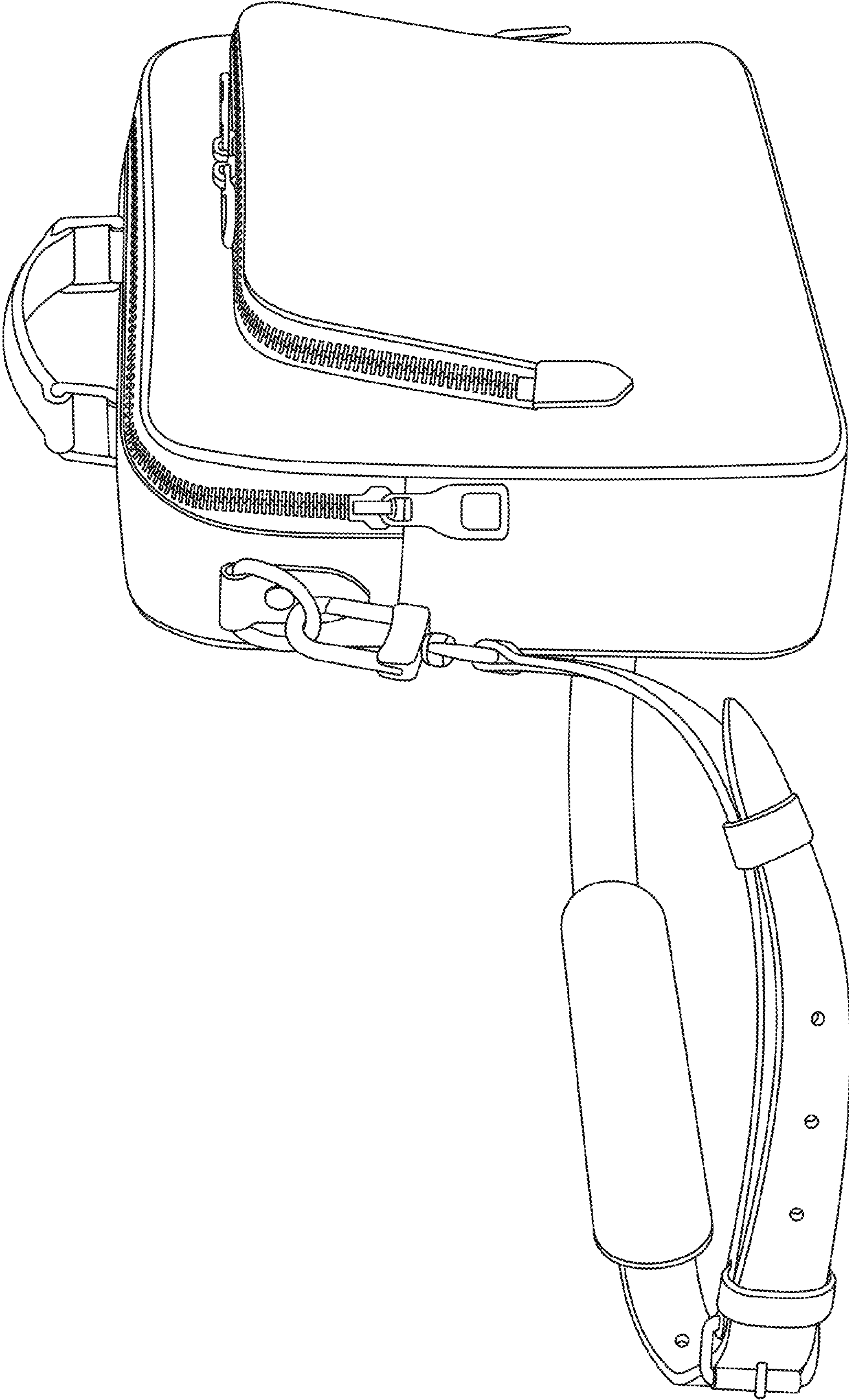


FIG. 1

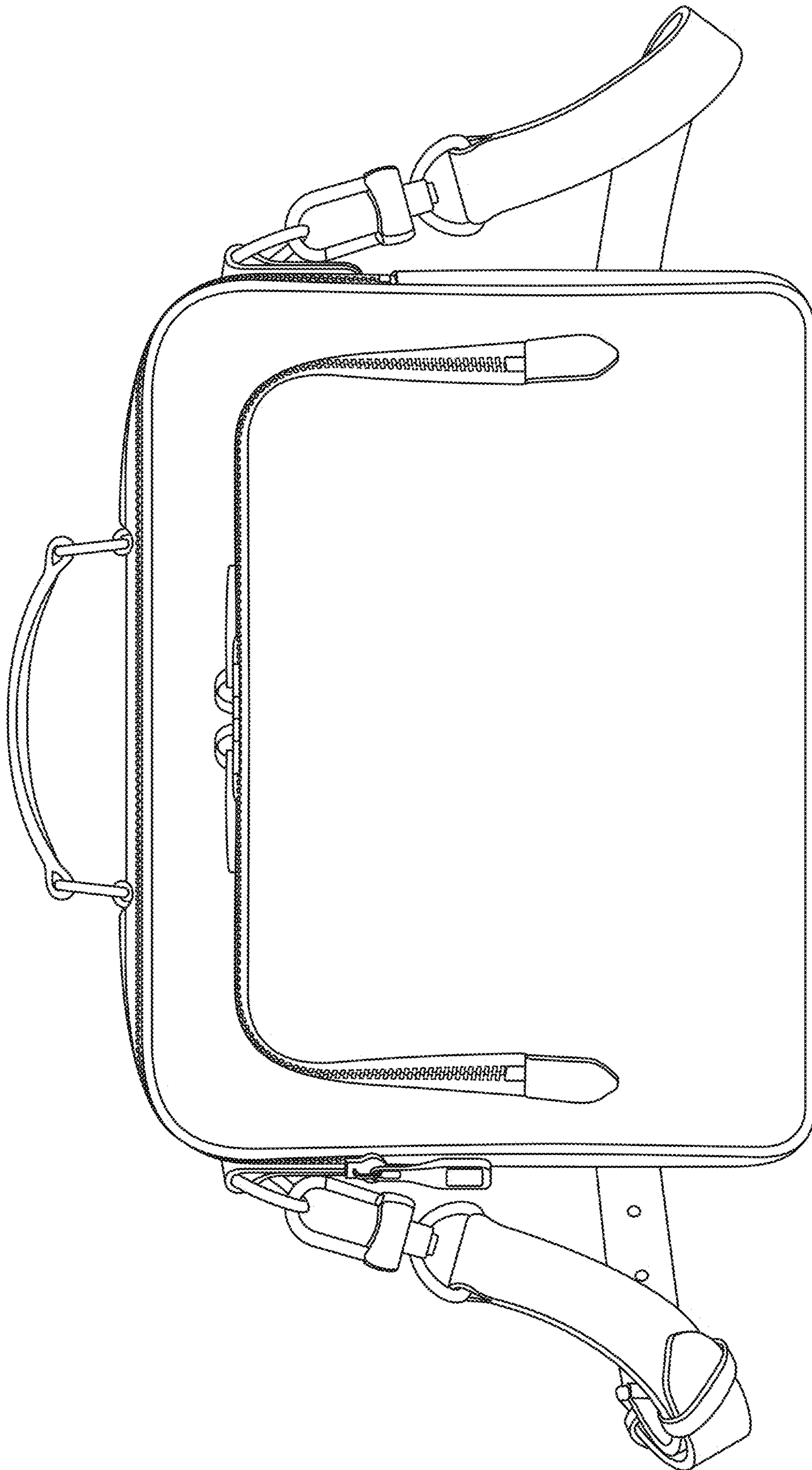


FIG. 2

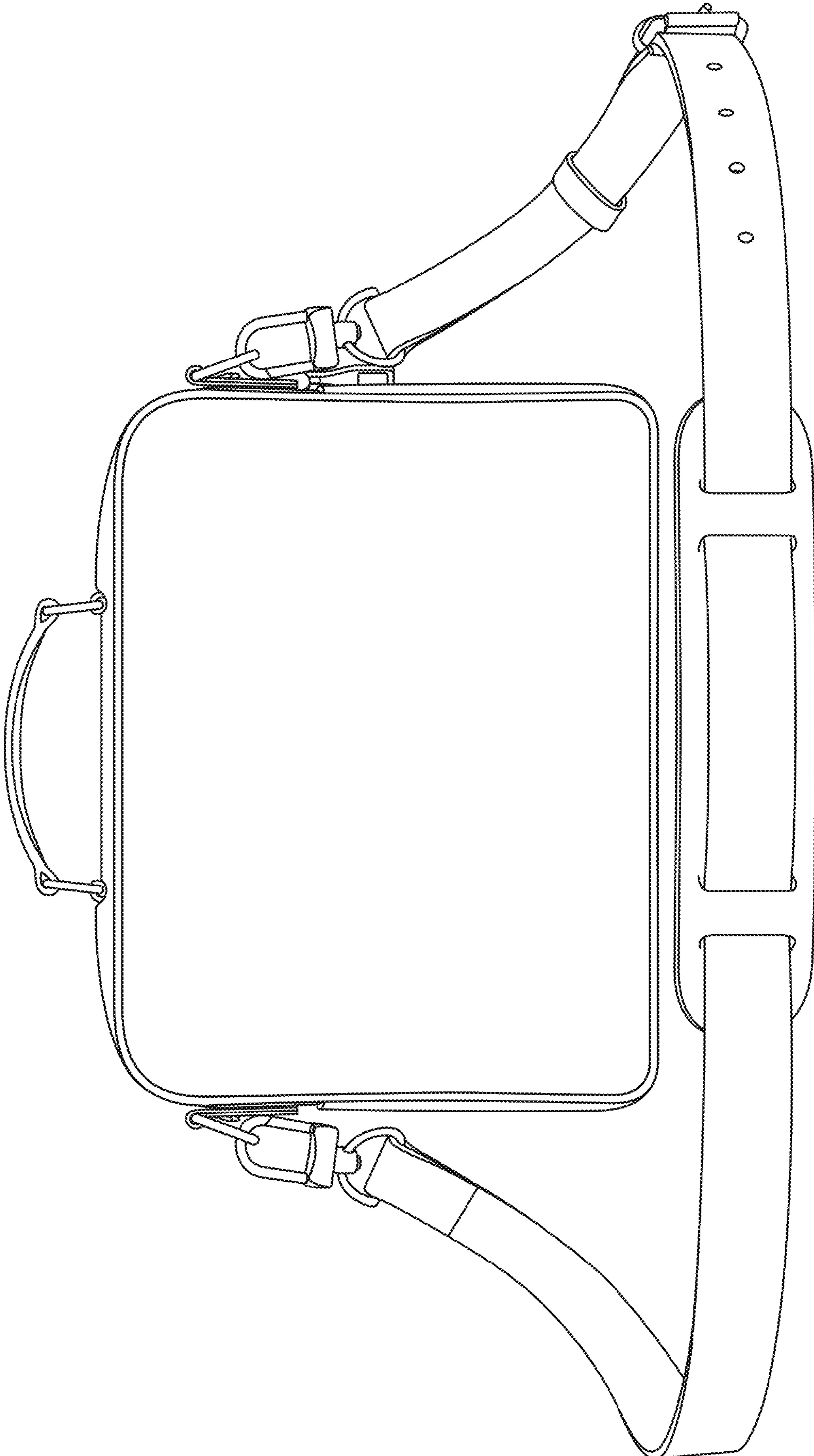


FIG. 3

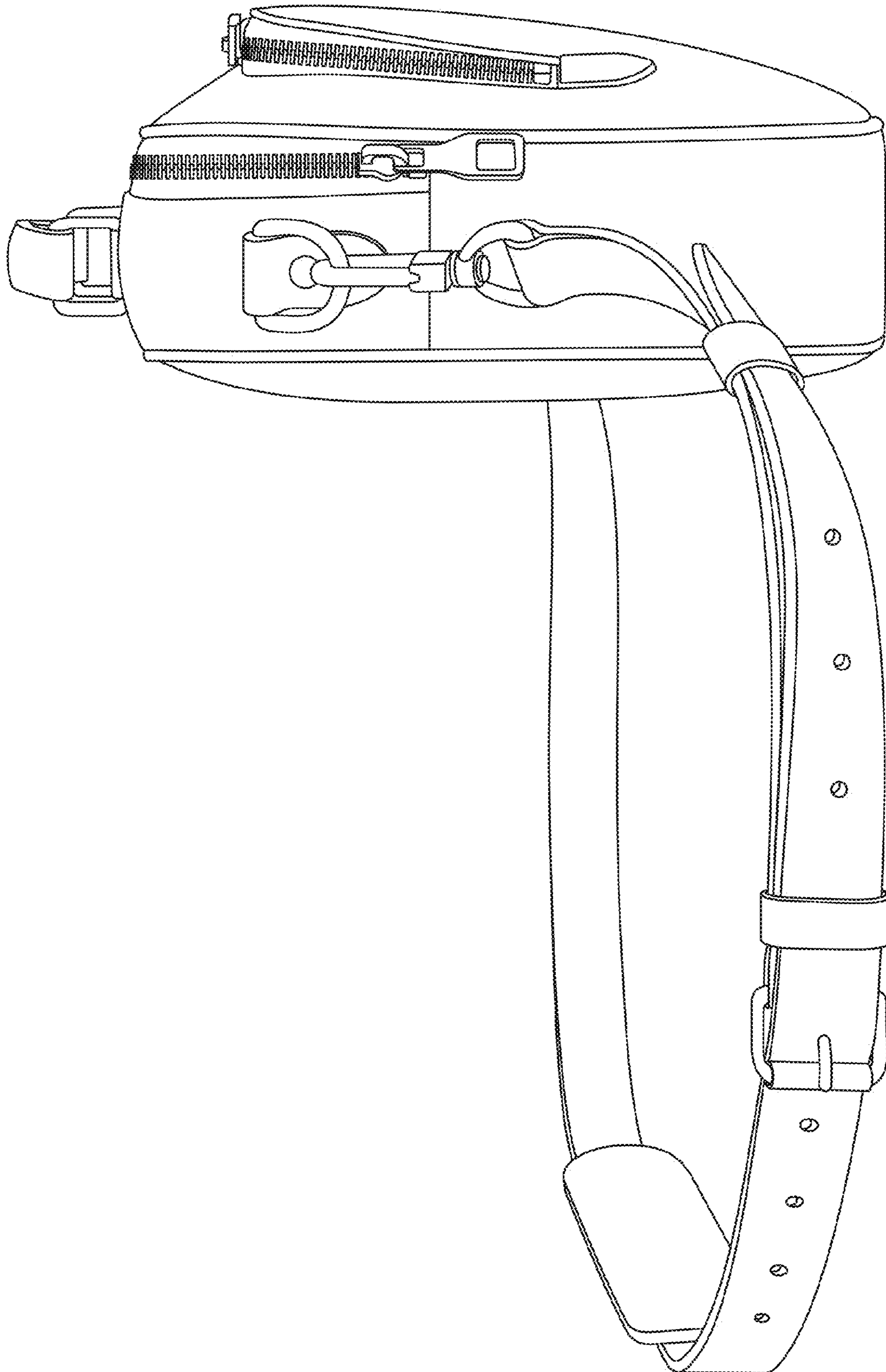


FIG. 4

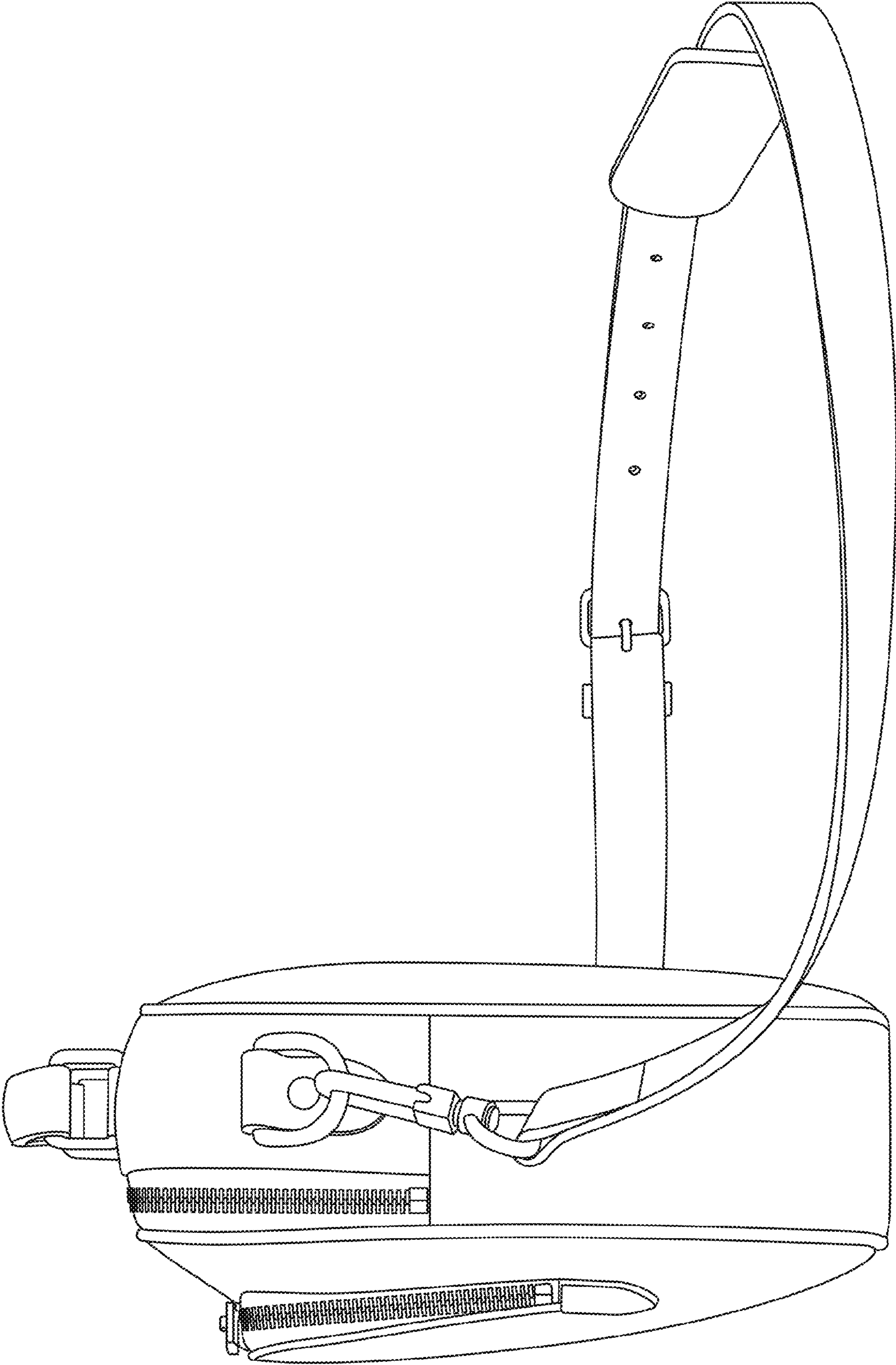


FIG. 5

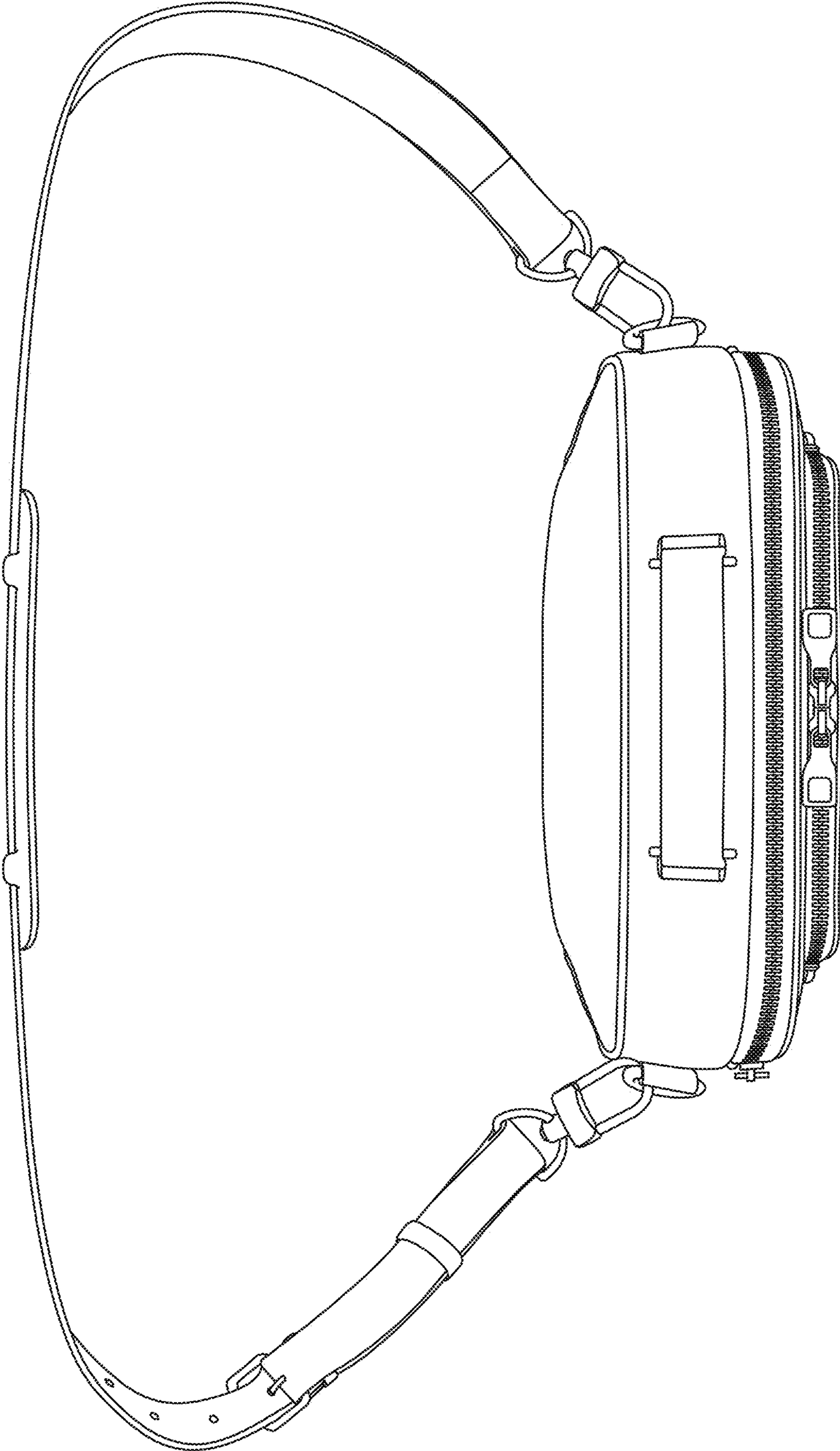


FIG. 6

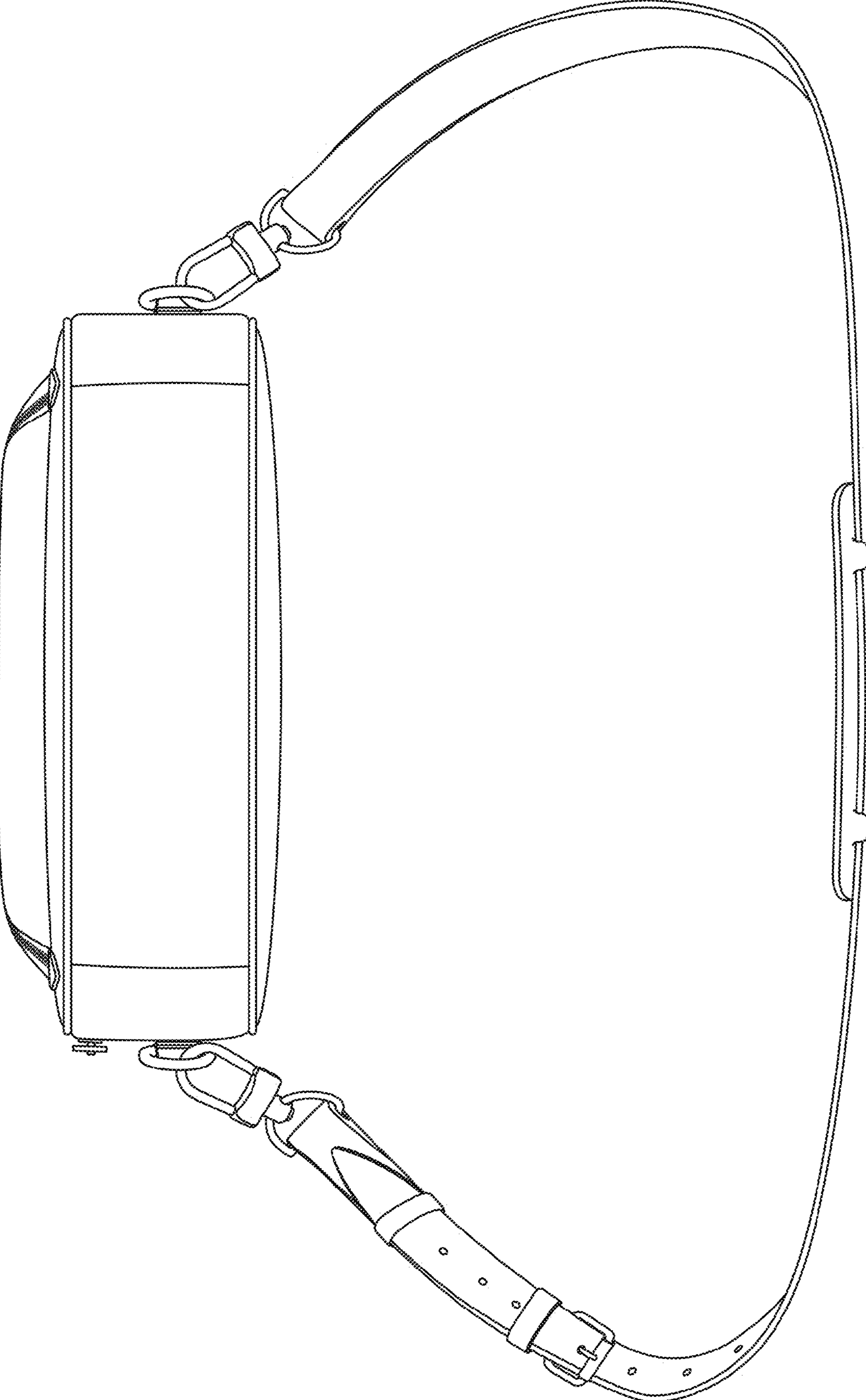


FIG. 7