



US00D987289S

(12) **United States Design Patent**
Bulte et al.

(10) **Patent No.:** **US D987,289 S**
(45) **Date of Patent:** **** May 30, 2023**

- (54) **BELT-WORN EQUIPMENT POUCH SUPPORT**
- (71) Applicant: **Pono Life Pty Ltd as Trustee for The Pono Life Trust**, Melbourne (AU)
- (72) Inventors: **Graeme Noel Bulte**, Berwick (AU); **Dianne Louise Hester**, Selby (AU); **Padraic Crunden-Smith**, Pakenham (AU)
- (73) Assignee: **Pono Life Pty Ltd as Trustee for The Pono Life Trust**, Melbourne (AU)

D227,823	S	*	7/1973	Boyce	242/129
D233,490	S	*	11/1974	Bailey	D3/229
D254,103	S	*	2/1980	Criswell	D3/228
4,544,089	A	*	10/1985	Tabler	F41C 33/0236
						224/665
5,806,731	A	*	9/1998	Mark	F41C 33/048
						2/300
6,694,575	B1	*	2/2004	Martin	A45F 5/021
						206/315.3
D507,104	S	*	7/2005	Gregory	D3/222
D623,850	S	*	9/2010	Exum	D3/215
8,499,990	B2	*	8/2013	Smith	A45F 5/02
						224/676
8,807,505	B2	*	8/2014	Lotz, III	A45F 5/00
						248/500
D767,388	S	*	9/2016	Slovis	D3/315
D850,785	S	*	6/2019	Rudd	D3/222
D867,858	S	*	11/2019	Ruddick	D8/356
D971,552	S	*	12/2022	Wu	D2/627
2009/0106948	A1	*	4/2009	Lopez	B65D 63/1018
						24/16 PB

- (**) Term: **15 Years**
- (21) Appl. No.: **29/717,779**
- (22) Filed: **Dec. 19, 2019**

(30) **Foreign Application Priority Data**

Jul. 5, 2019 (AU) 201913790

(51) **LOC (14) Cl.** **03-01**

(52) **U.S. Cl.**
USPC **D3/226; D3/228**

(58) **Field of Classification Search**
USPC D3/215, 218, 221–224, 226, 228–229, D3/327; D6/349, 578; D11/3
CPC A45C 1/04; A45F 5/00; A45F 5/02; A45F 5/021; A45F 2003/144; A45F 2200/0516; A41F 9/002; F41C 33/0236; F41C 33/048; F41C 33/043; F41C 33/0209; Y10S 224/911

See application file for complete search history.

(56) **References Cited**

U.S. PATENT DOCUMENTS

D182,339	S	*	3/1958	Nichols	D3/222
2,894,119	A	*	7/1959	Stenger	F21L 15/08
						D3/229

* cited by examiner

Primary Examiner — Catherine R Oliver-Garcia

(57) **CLAIM**

The ornamental design for the belt-worn equipment pouch support, as shown and described.

DESCRIPTION

FIG. 1 is a perspective top view of a belt-worn equipment pouch support;
FIG. 2 is a top view thereof;
FIG. 3 is an end view thereof; and,
FIG. 4 is a side view thereof.

1 Claim, 4 Drawing Sheets

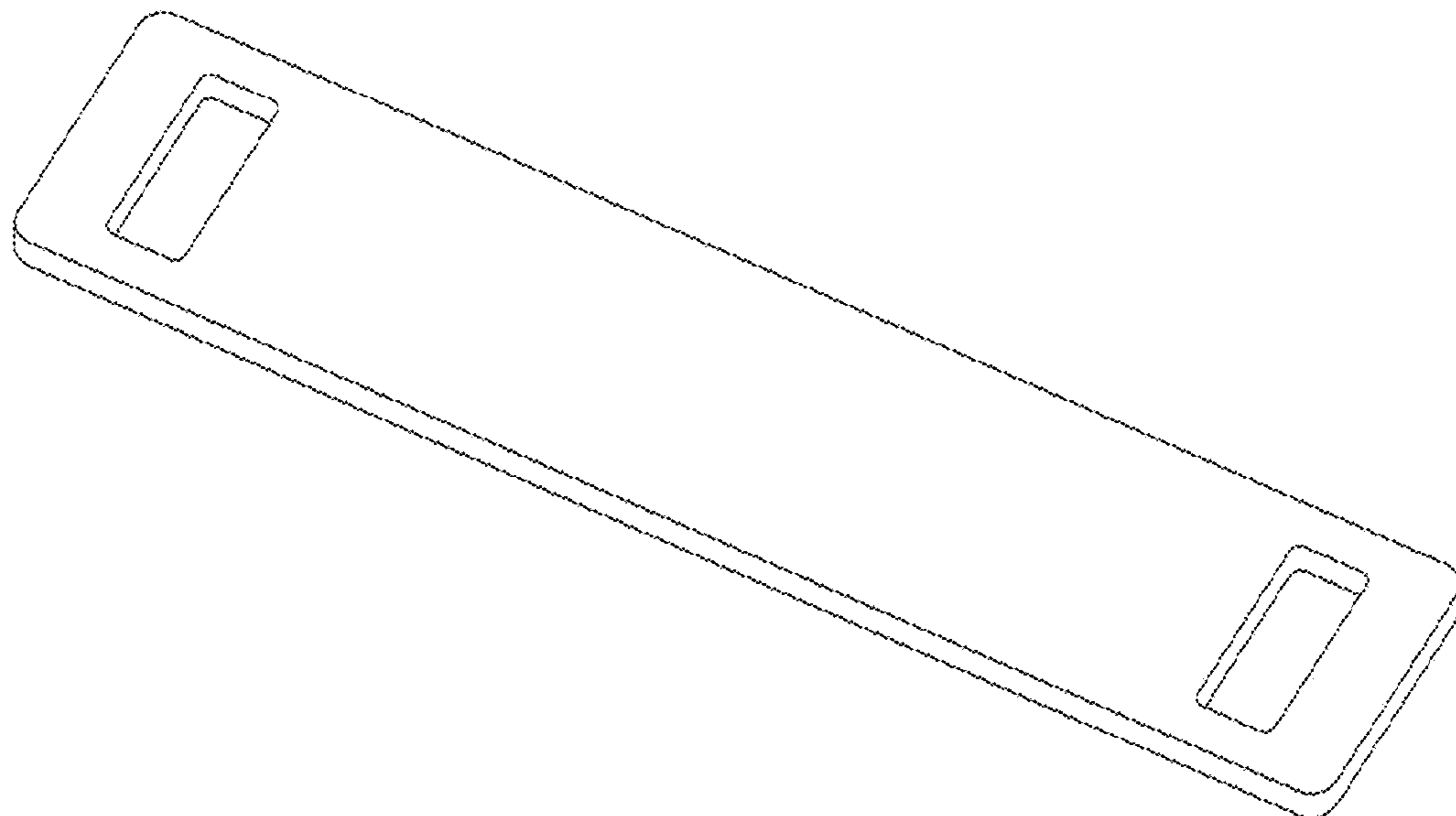


Fig. 1

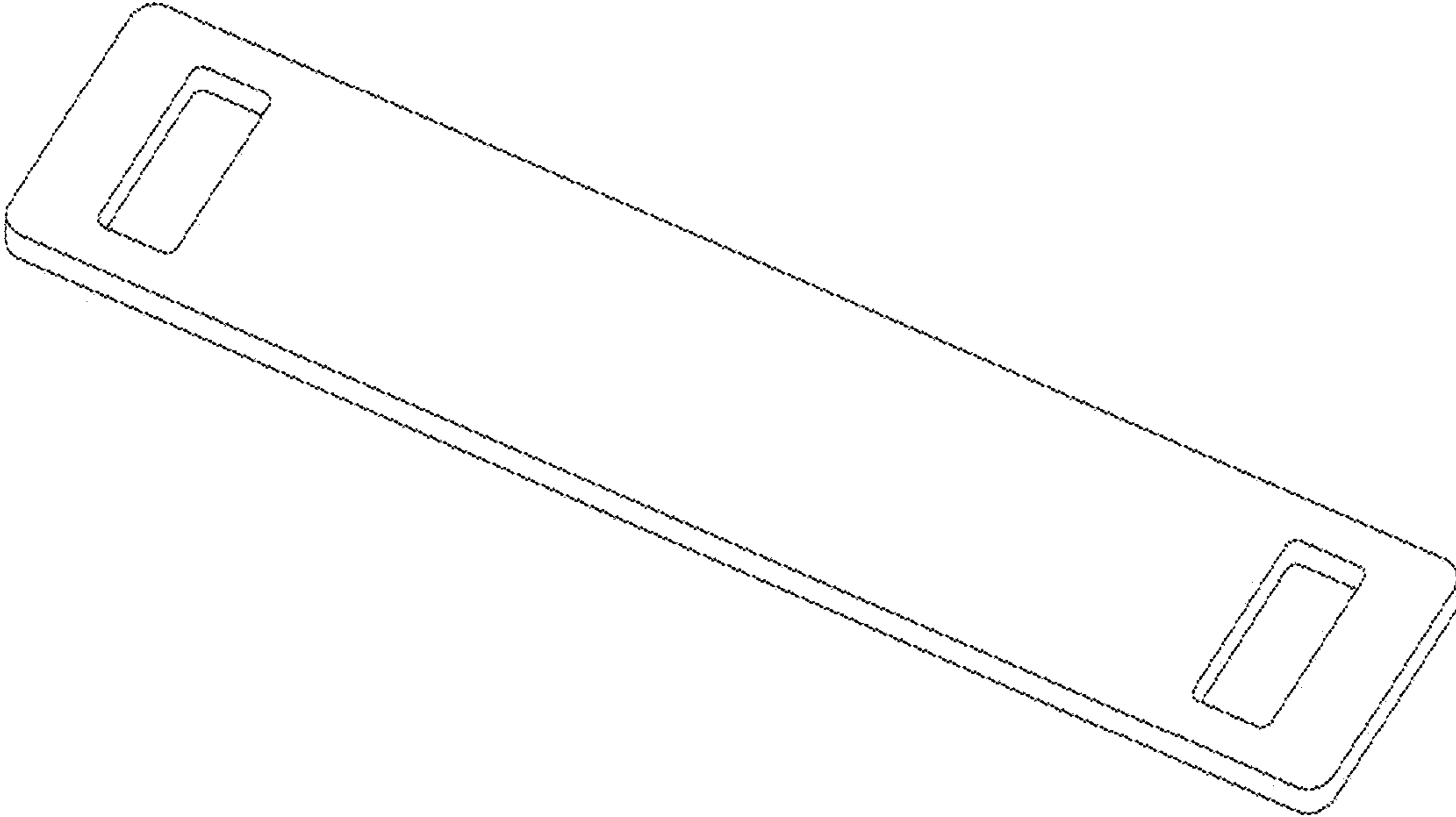


Fig. 2



Fig. 3

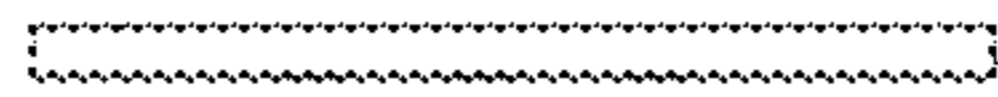


Fig. 4

