



US00D987288S

(12) **United States Design Patent** (10) **Patent No.:** **US D987,288 S**  
**Hauptman et al.** (45) **Date of Patent:** **\*\* May 30, 2023**

(54) **TWO-PART CLASP**

(71) Applicant: **PHLster LLC**, Maplewood, MN (US)

(72) Inventors: **Sarah Hauptman**, Maplewood, MN (US); **Jonathan Hauptman**, Maplewood, MN (US)

(73) Assignee: **PHLster LLC**, Maplewood, MN (US)

(\*\*) Term: **15 Years**

(21) Appl. No.: **29/805,424**

(22) Filed: **Aug. 26, 2021**

(51) **LOC (14) Cl.** ..... **03-01**

(52) **U.S. Cl.**  
USPC ..... **D3/222; D8/382**

(58) **Field of Classification Search**  
USPC ..... D8/382, 383, 394, 395, 330, 331, 339, D8/341, 342; D3/222; D22/108  
CPC ..... Y10T 24/1394; Y10T 24/44; F41C 33/046  
See application file for complete search history.

(56) **References Cited**

U.S. PATENT DOCUMENTS

D200,155 S \* 1/1965 Hedu ..... D11/216  
D267,228 S \* 12/1982 Channell ..... D8/382  
5,274,885 A \* 1/1994 Hellweg ..... A45F 5/02  
24/3.12

(Continued)

*Primary Examiner* — Calvin E Vansant

*Assistant Examiner* — Benjamin L. Gray

(74) *Attorney, Agent, or Firm* — Asgaard Patent Services, LLC; F. Wayne Thompson, Jr.

(57) **CLAIM**

The ornamental design for a two-part clasp, as shown and described.

**DESCRIPTION**

FIG. 1 is a top isometric view of a two-part clasp comprising a male portion and a female portion;

FIG. 2 is a bottom isometric view of the two-part clasp shown in FIG. 1;

FIG. 3 is a top isometric view of the female portion of the two-part clasp shown in FIGS. 1 and 2;

FIG. 4 is a bottom isometric view of the female portion of the two-part clasp shown in FIG. 3;

FIG. 5 is a left side elevational view of the female portion of the two-part clasp shown in FIG. 3;

FIG. 6 is a right side elevational view of the female portion of the two-part clasp shown in FIG. 3;

FIG. 7 is a front side elevational view of the female portion of the two-part clasp shown in FIG. 3;

FIG. 8 is a rear side elevational view of the female portion of the two-part clasp shown in FIG. 3;

FIG. 9 is a top plan view of the female portion of the two-part clasp shown in FIG. 3;

FIG. 10 is a bottom plan view of the female portion of the two-part clasp shown in FIG. 3;

FIG. 11 is a top isometric view of the male portion of the two-part clasp shown in FIGS. 1 and 2;

FIG. 12 is a bottom isometric view of the male portion of the two-part clasp shown in FIG. 11;

FIG. 13 is a left side elevational view of the male portion of the two-part clasp shown in FIG. 11;

FIG. 14 is a right side elevational view of the male portion of the two-part clasp shown in FIG. 11;

FIG. 15 is a front side elevational view of the male portion of the two-part clasp shown in FIG. 11;

FIG. 16 is a rear side elevational view of the male portion of the two-part clasp shown in FIG. 11;

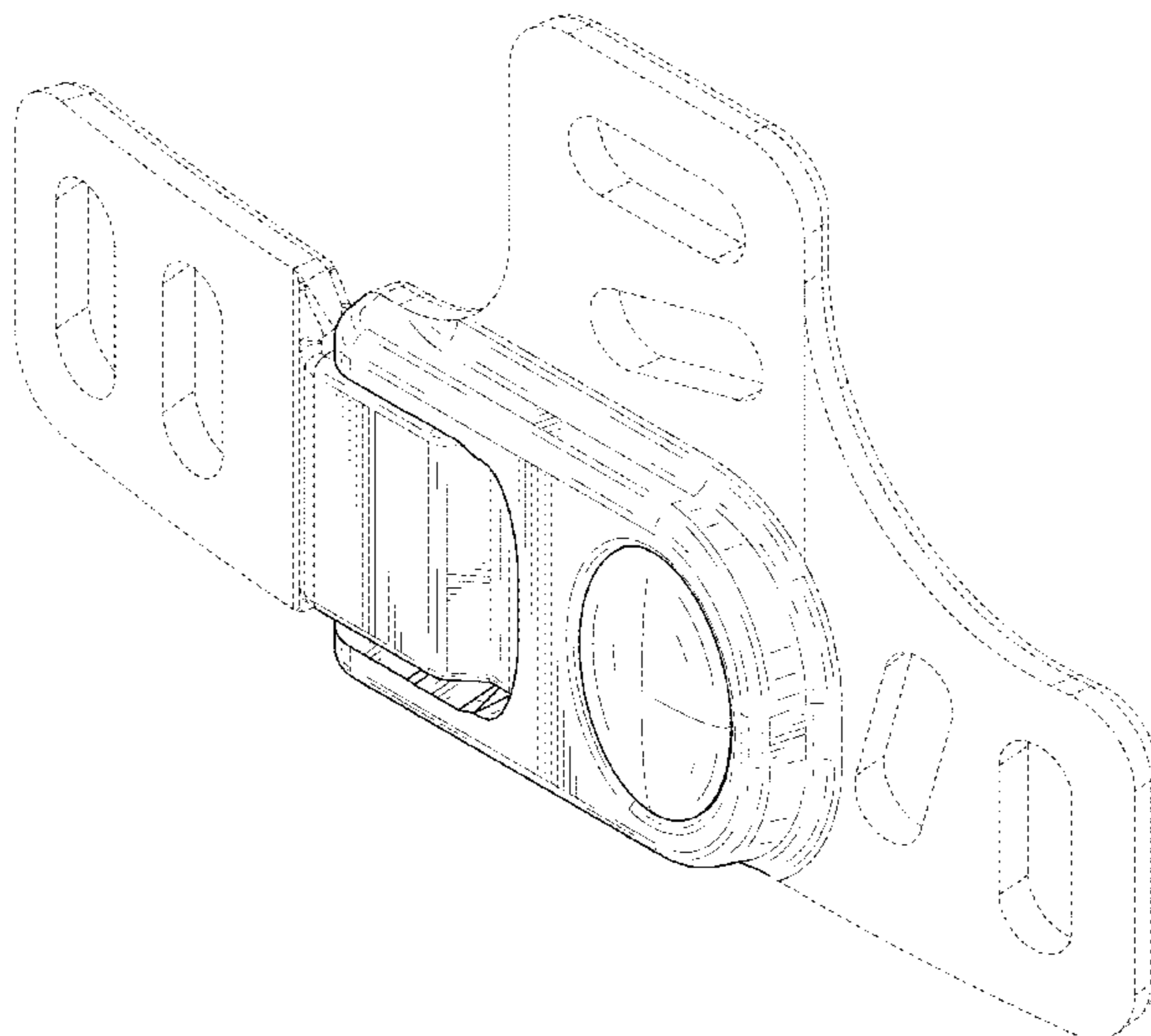
FIG. 17 is a top plan view of the male portion of the two-part clasp shown in FIG. 11; and,

FIG. 18 is a bottom plan view of the male portion of the two-part clasp shown in FIG. 11.

The evenly spaced broken lines represent portions of the two-part clasp that form no part of the claimed design.

The dash-dot broken lines define the bounds of the claimed design and form no part thereof.

**1 Claim, 10 Drawing Sheets**



(56)

**References Cited**

U.S. PATENT DOCUMENTS

D465,400	S	*	11/2002	Moore	.....	D8/383
D502,428	S	*	3/2005	Kawamura	.....	D11/221
D509,471	S	*	9/2005	Cronce	.....	D8/382
D645,969	S	*	9/2011	Del Solar	.....	D8/395
D655,407	S	*	3/2012	Adams	.....	D8/394
D843,824	S	*	3/2019	Milani	.....	D8/382
D926,466	S	*	8/2021	Eremita	.....	D3/218
D927,956	S	*	8/2021	Tavernier	.....	D8/394
D964,734	S	*	9/2022	Lange	.....	D3/249
2009/0189418	A1	*	7/2009	Brown	.....	B60R 13/0206 296/214
2015/0135482	A1	*	5/2015	Kuo	.....	B63C 11/205 24/3.12

\* cited by examiner

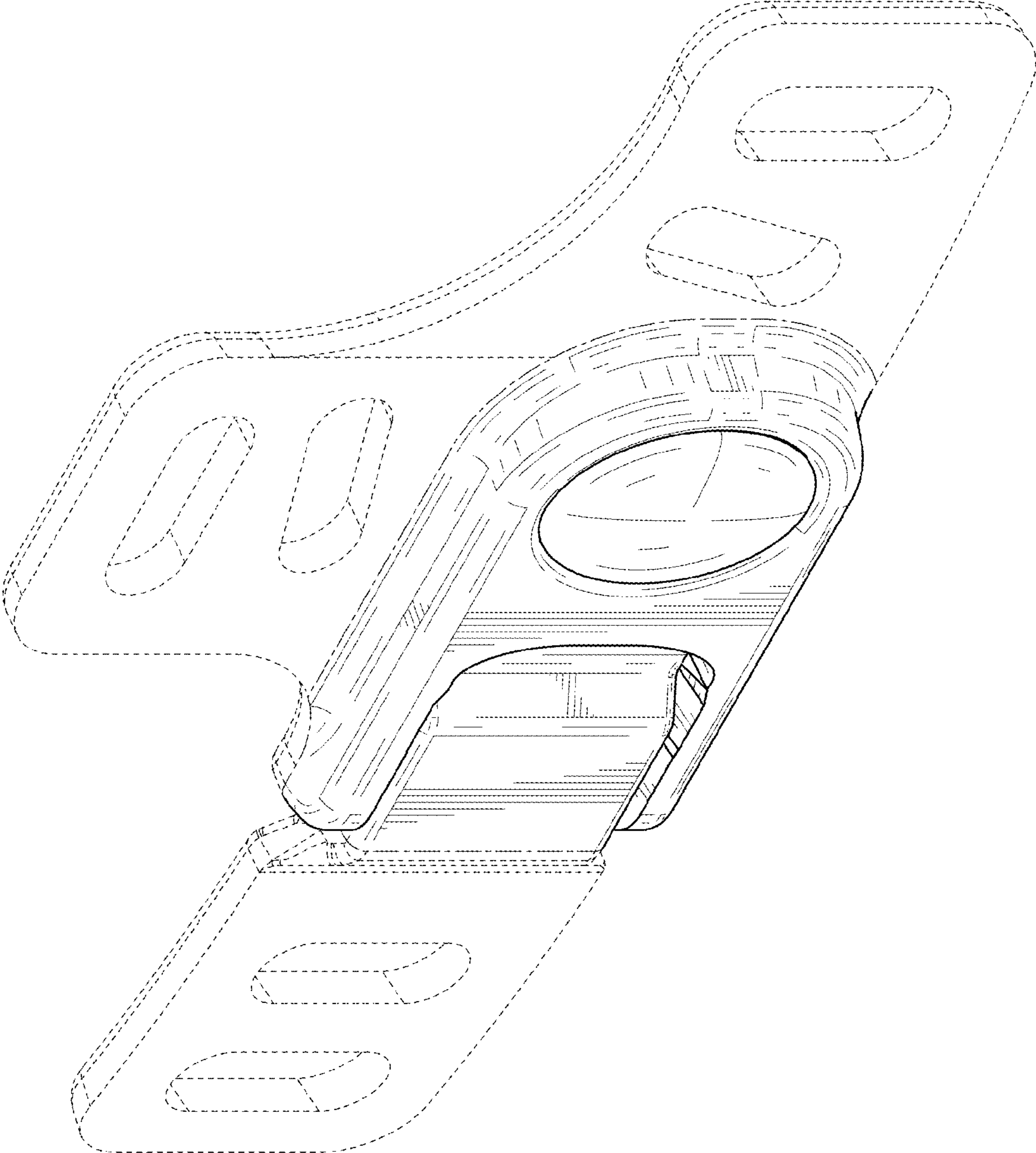


FIG. 1

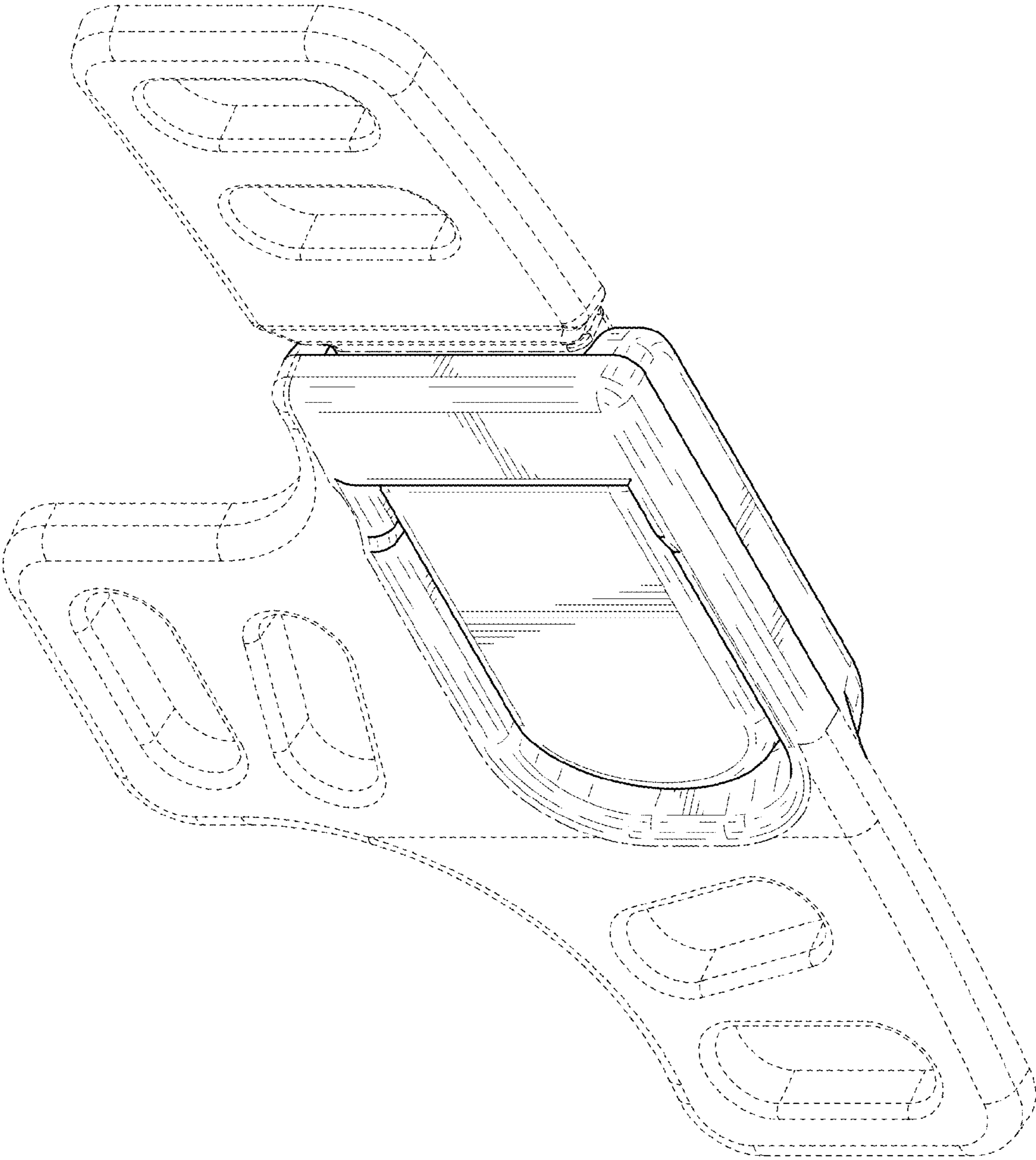


FIG. 2

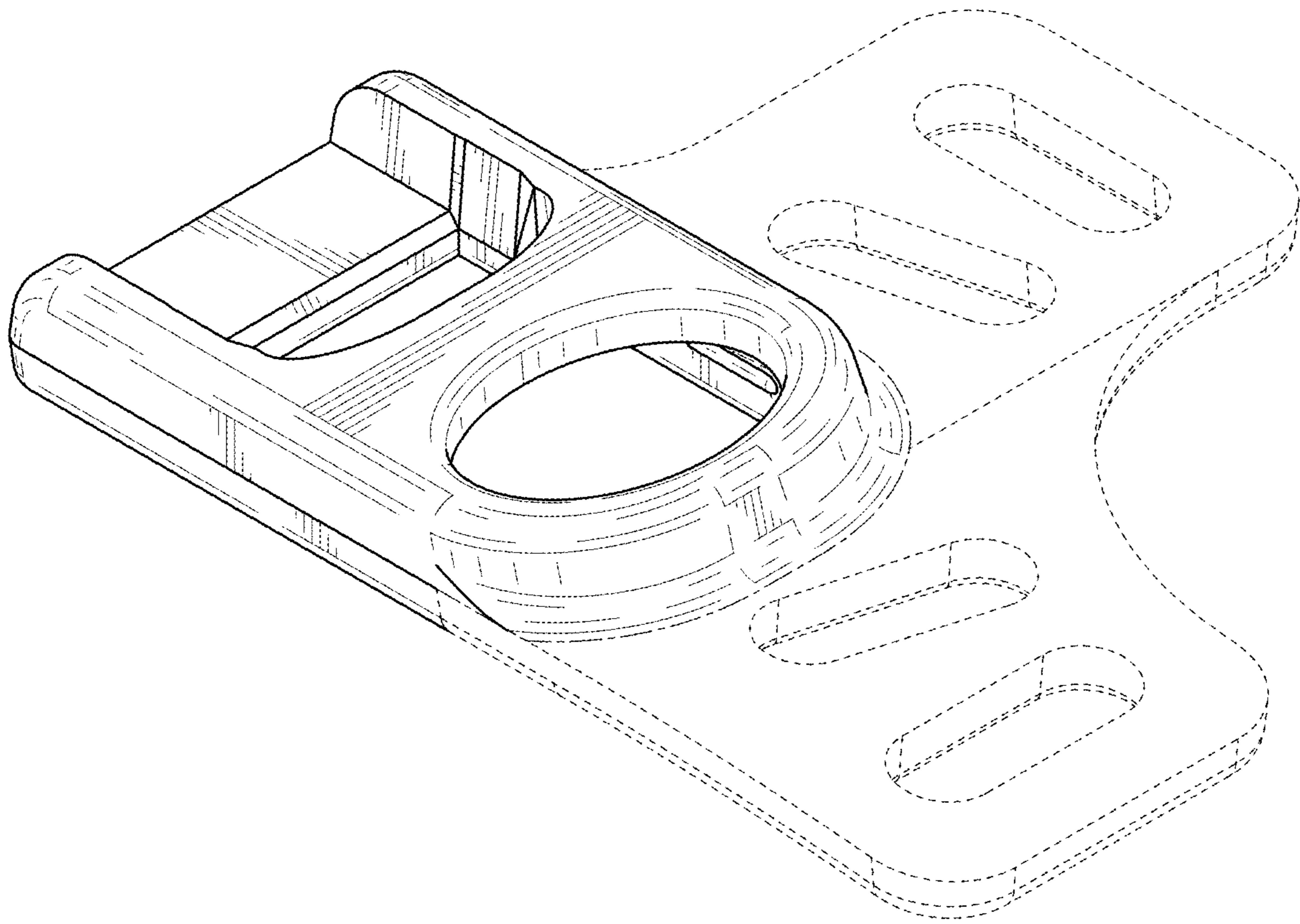


FIG. 3

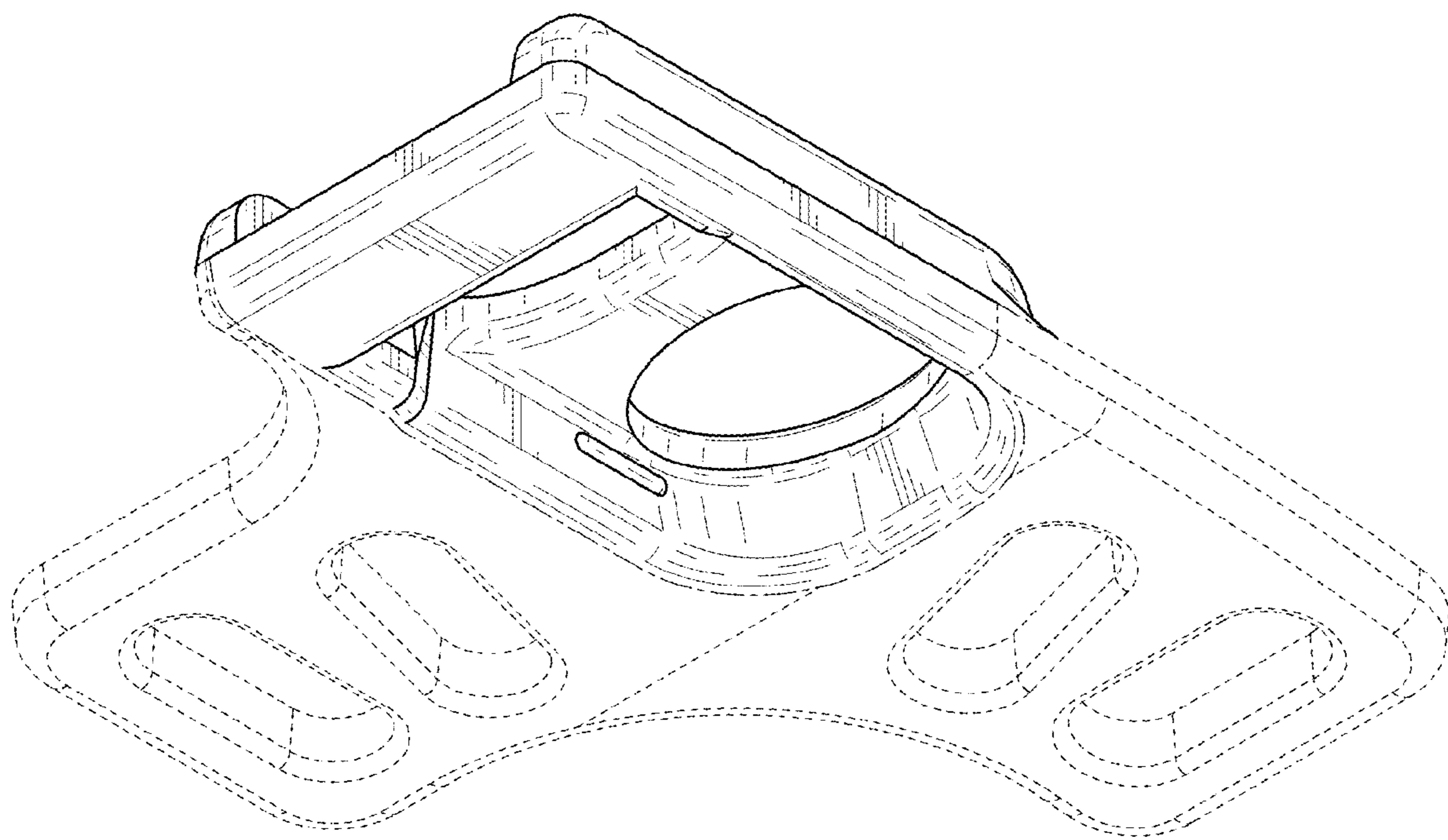


FIG. 4

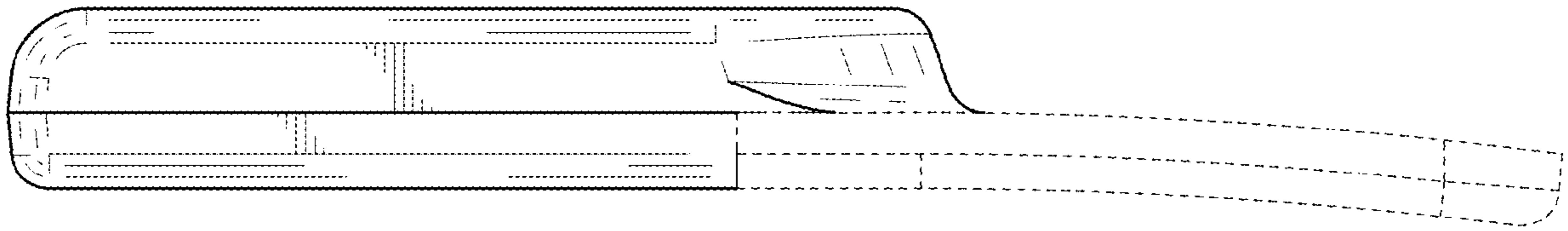


FIG. 5

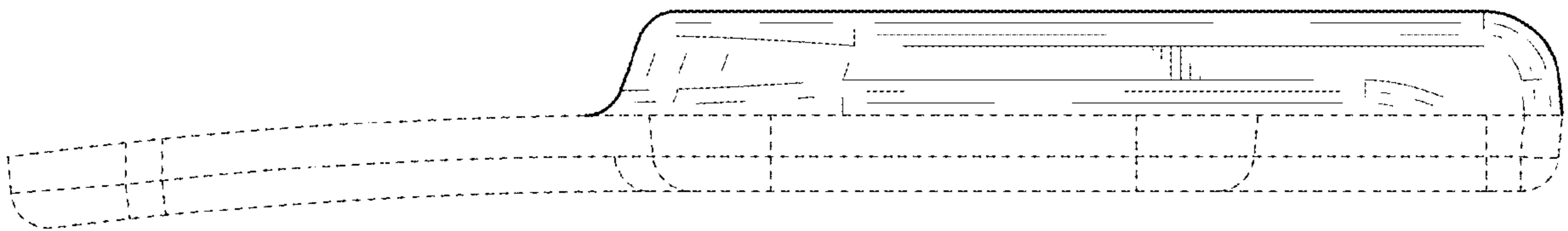


FIG. 6

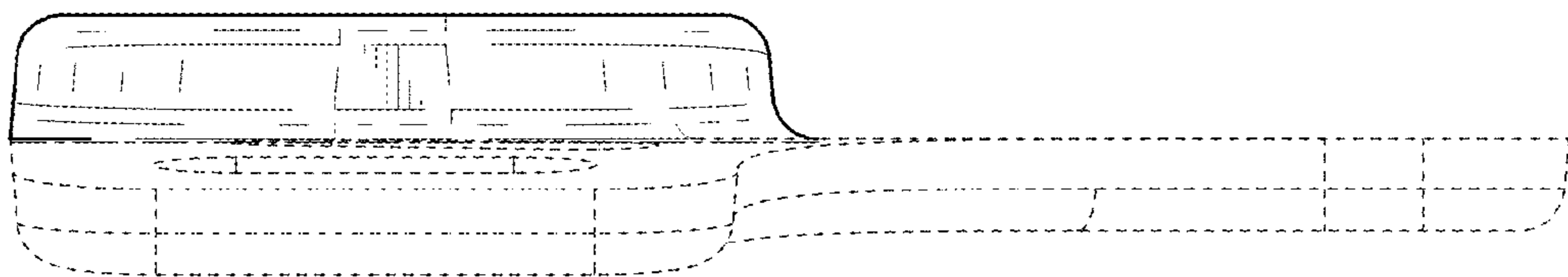


FIG. 7

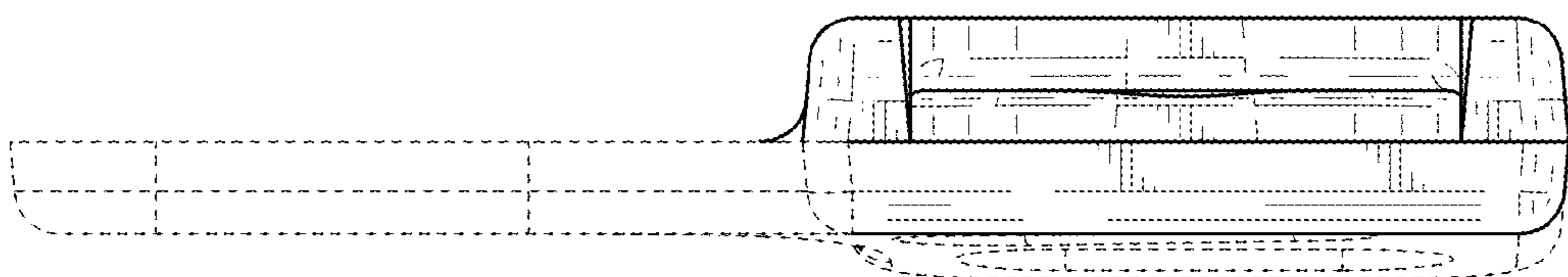


FIG. 8

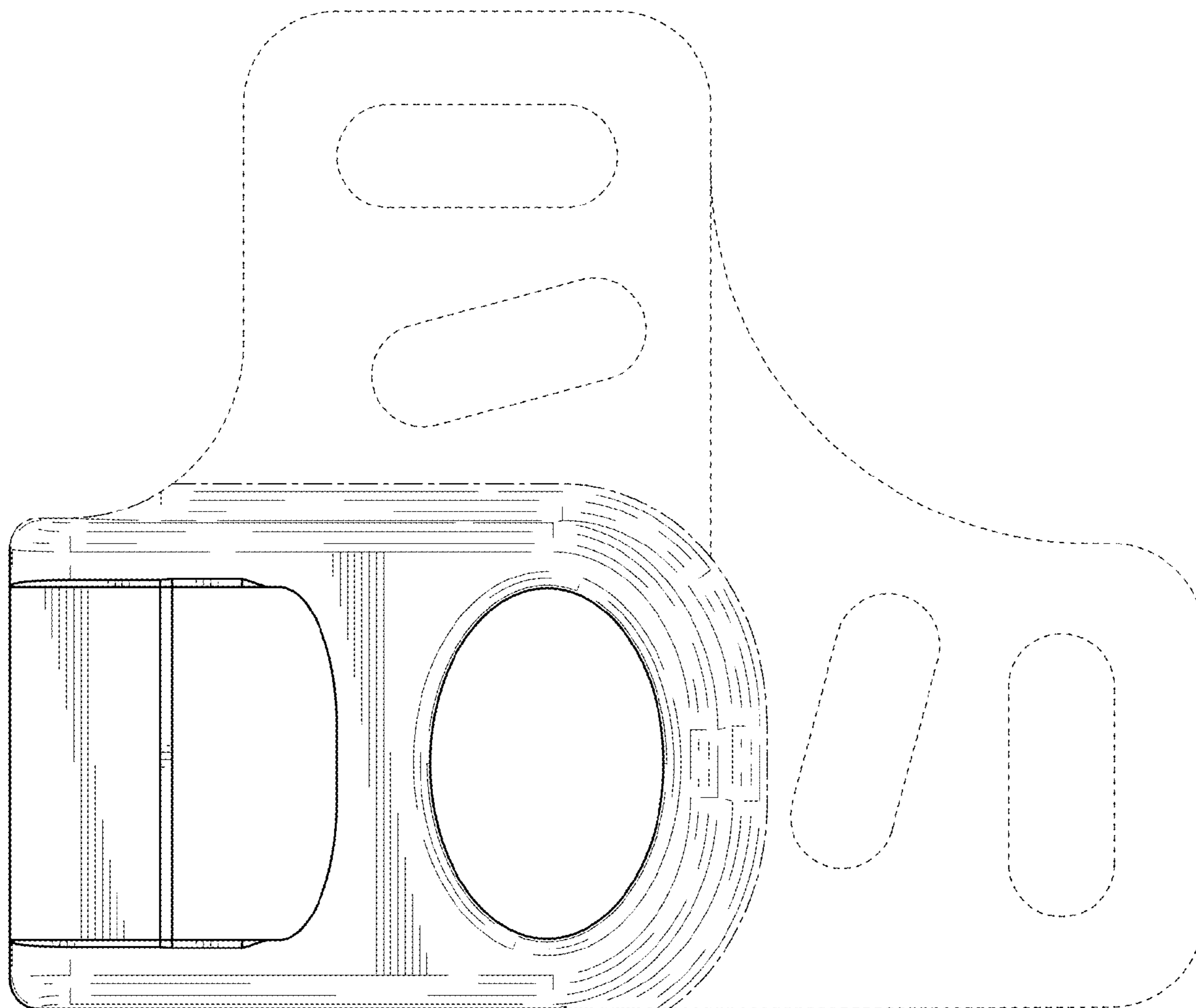


FIG. 9



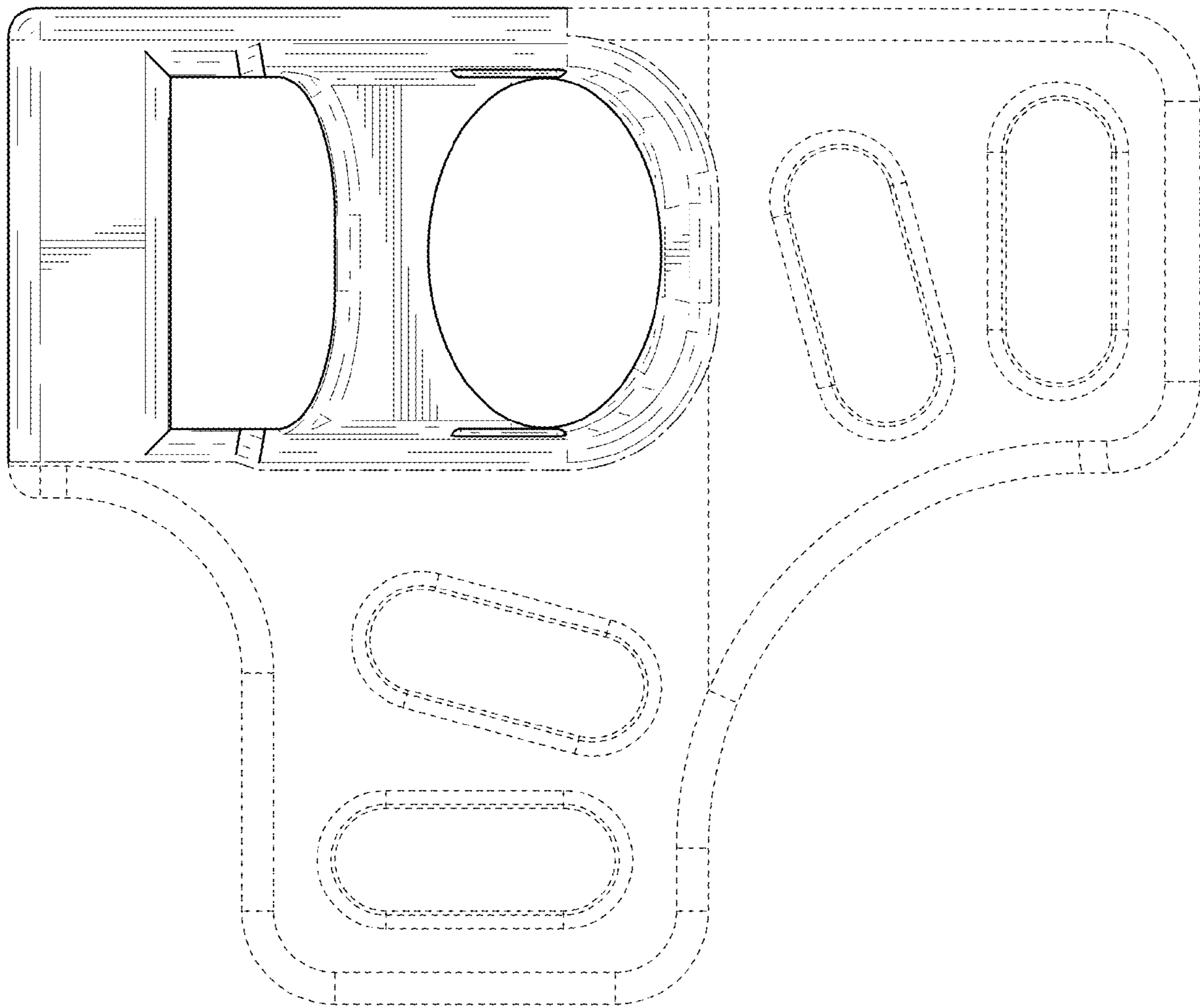


FIG. 10

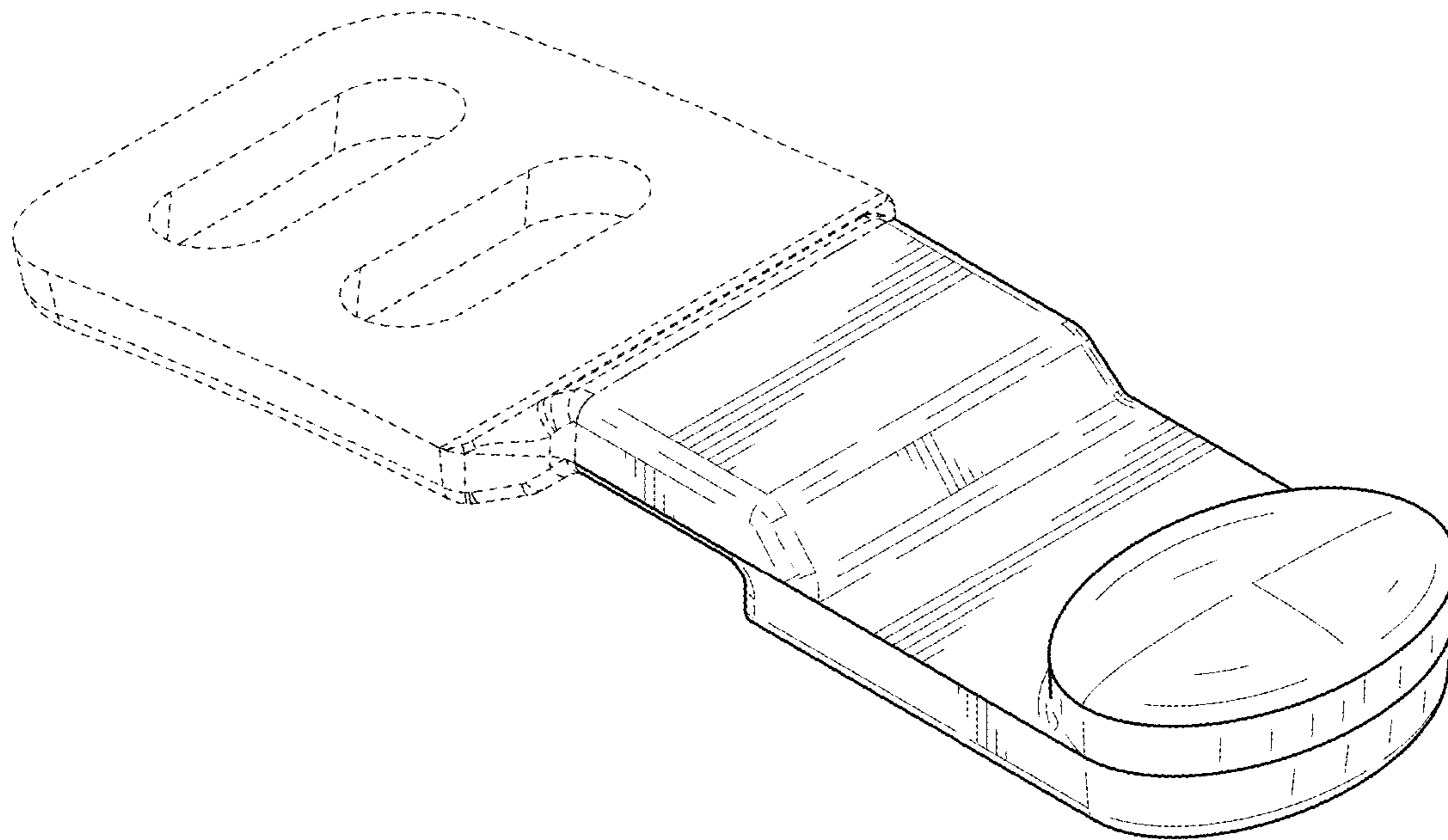


FIG. 11

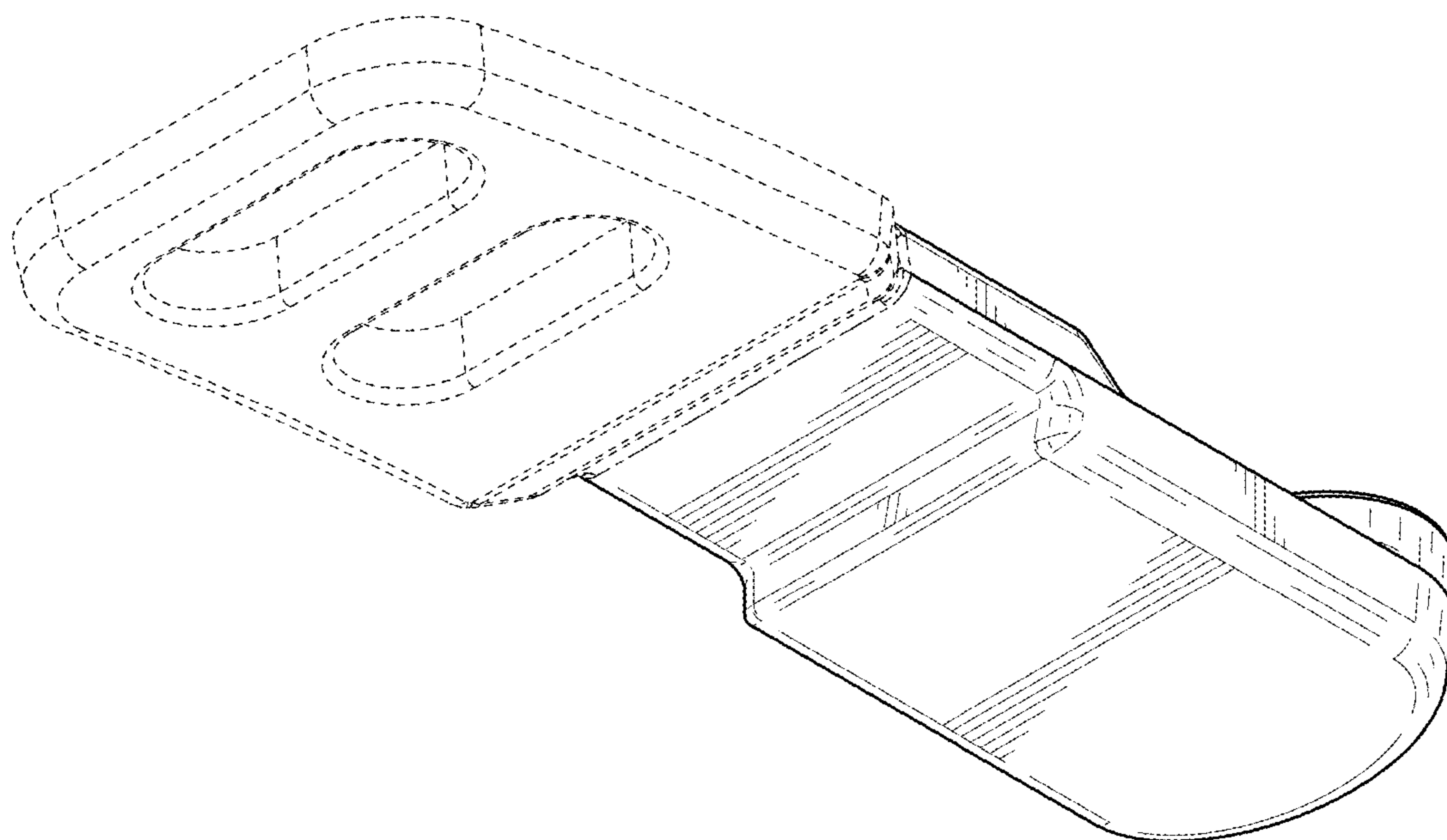


FIG. 12

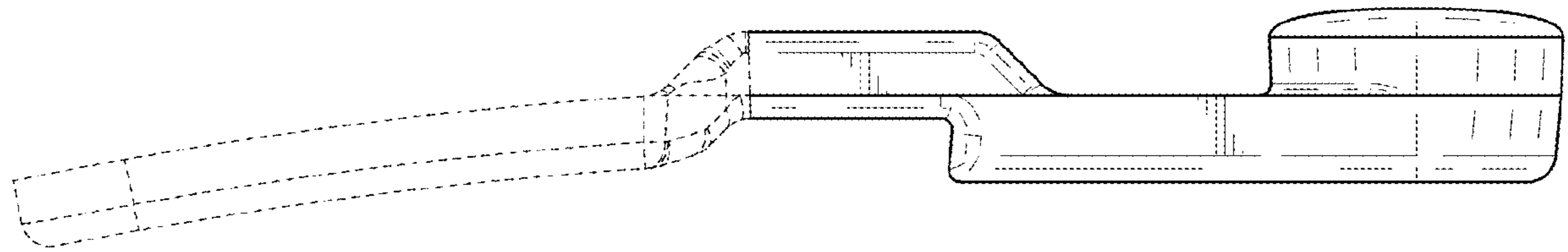


FIG. 13

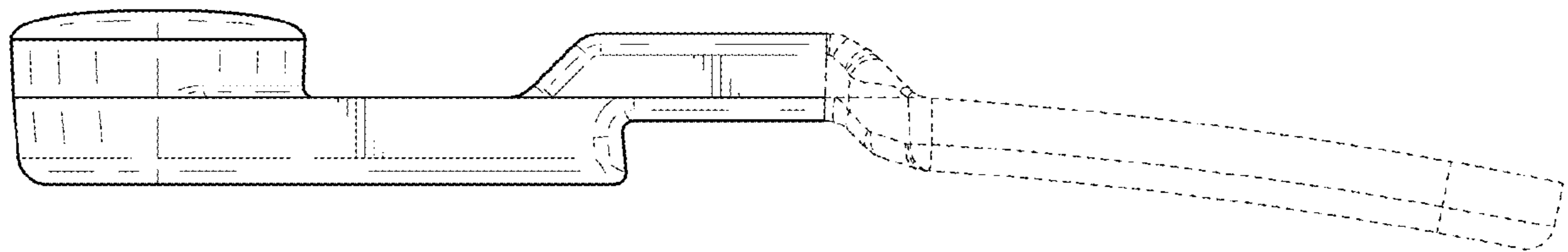


FIG. 14

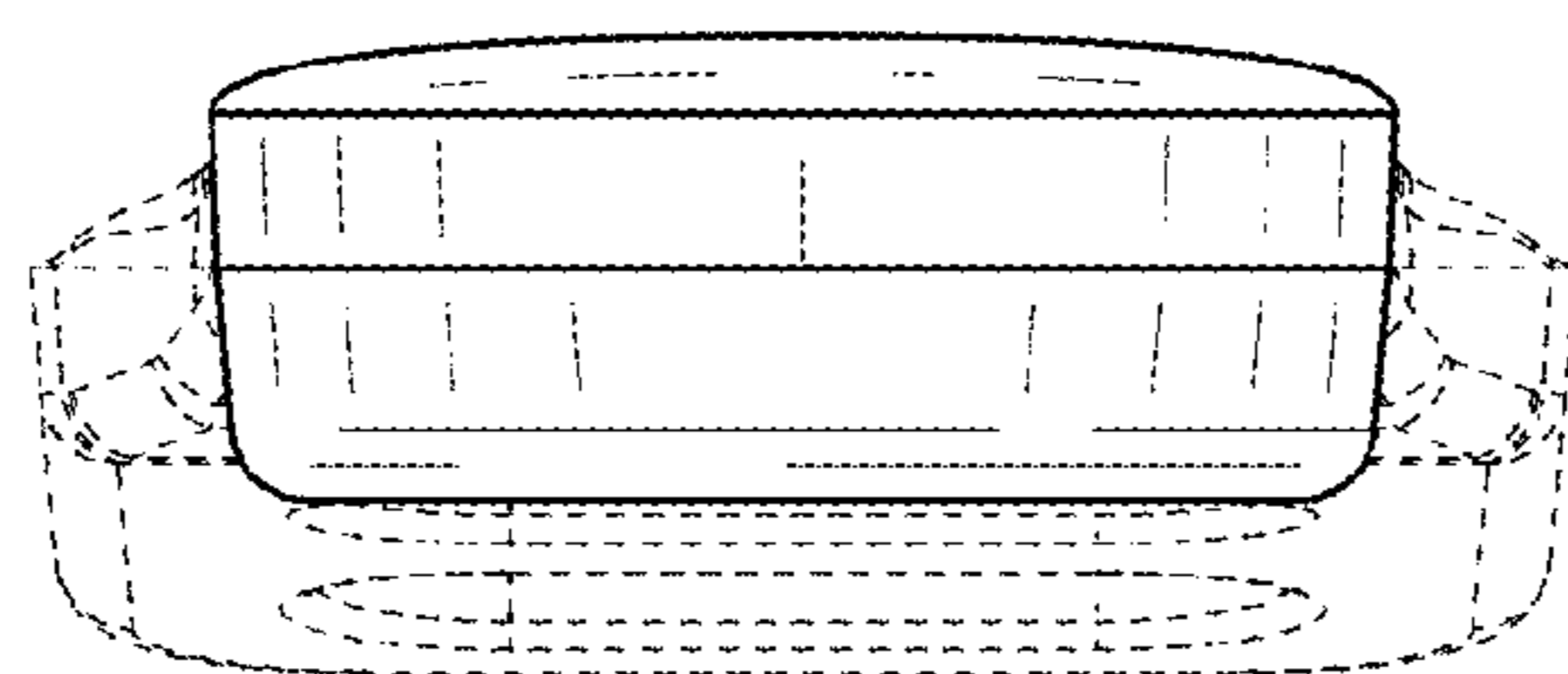


FIG. 15

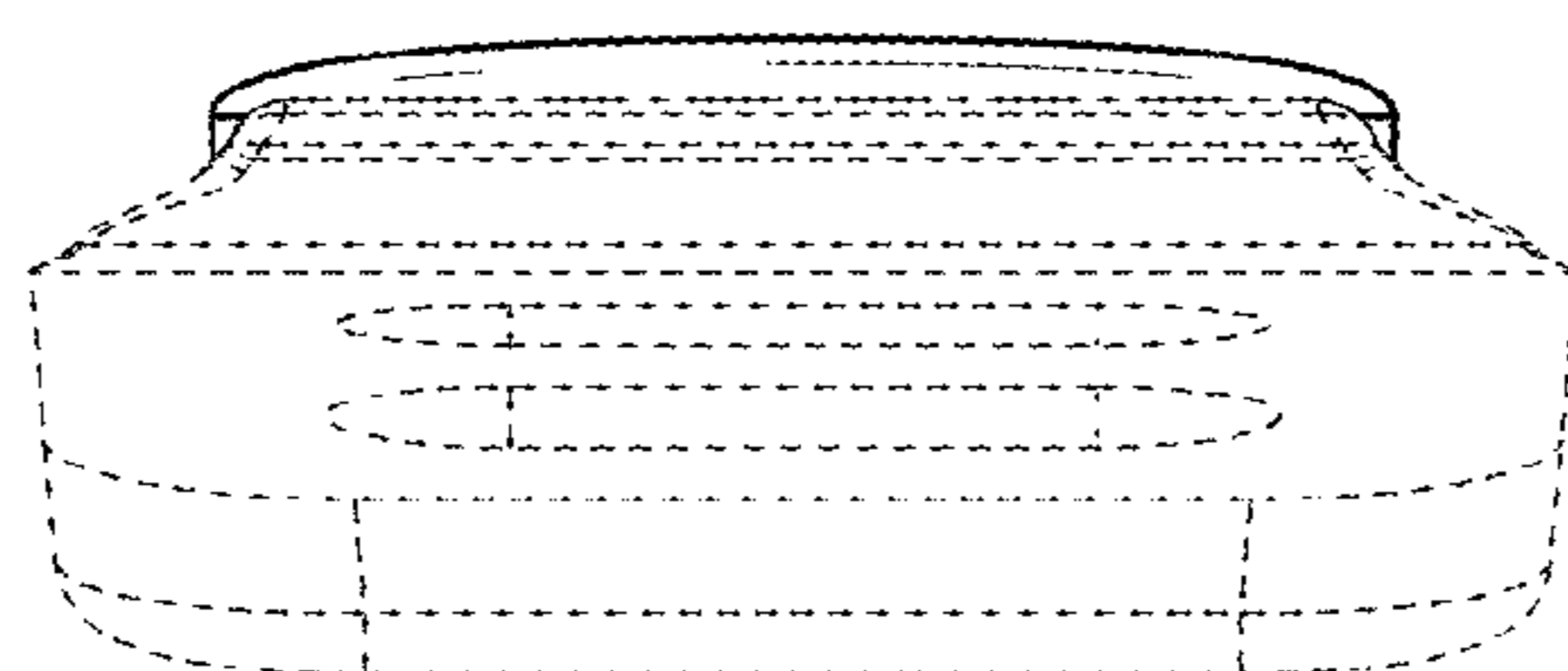


FIG. 16

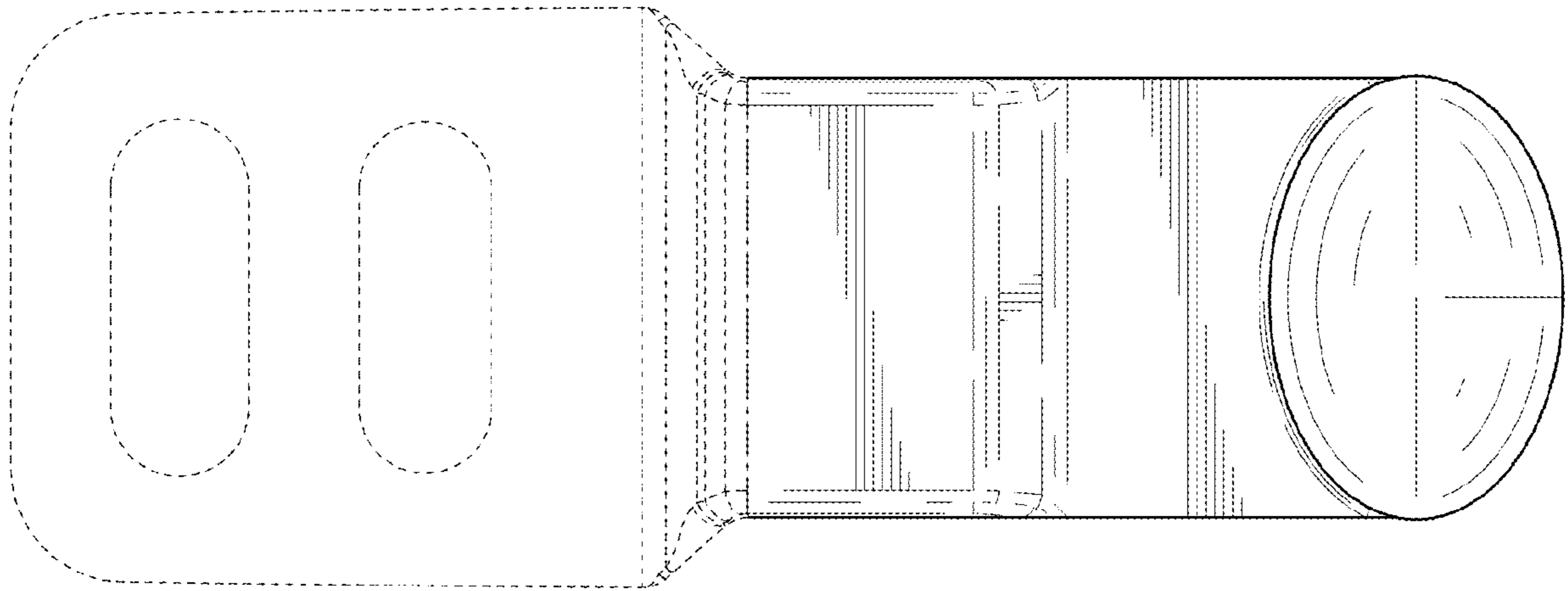


FIG. 17

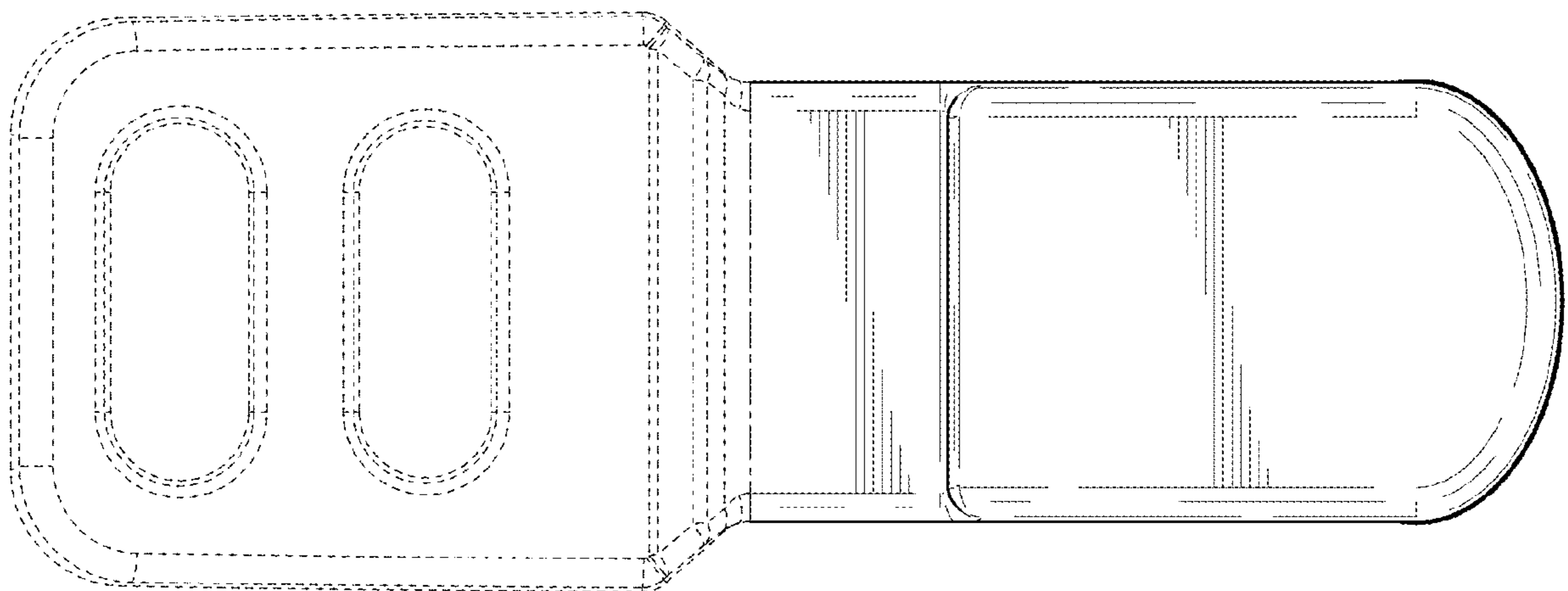


FIG. 18