



US00D987287S

(12) **United States Design Patent** (10) **Patent No.:** **US D987,287 S**
Dai (45) **Date of Patent:** **** May 30, 2023**

(54) **BACKPACK**
(71) Applicant: **SHENZHEN BEIYOUYOU TRADING CO., LTD.**, Shenzhen (CN)

(72) Inventor: **Lixia Dai**, Shenzhen (CN)

(73) Assignee: **SHENZHEN BEIYOUYOU TRADING CO., LTD.**, Shenzhen (CN)

(**) Term: **15 Years**

(21) Appl. No.: **29/821,964**

(22) Filed: **Jan. 5, 2022**

(51) **LOC (14) Cl.** **03-01**

(52) **U.S. Cl.**
USPC **D3/217; D3/274**

(58) **Field of Classification Search**
USPC D3/213–217, 221, 224–233, 242–244, D3/254–262
CPC A45F 3/00; A45F 3/005; A45F 3/02; A45F 3/04; A45F 3/042; A45F 3/047; A45F 3/06; A45F 3/08; A45F 3/10; A45F 2003/001; A45F 2003/002; A45F 2003/003; A45F 2003/006; A45F 2003/007; A45F 2003/008; A45F 2003/025; A45F 2003/045; A45F 2200/00; A45F 2200/05; A45F 2200/0525; A45F 2200/0533

See application file for complete search history.

(56) **References Cited**

U.S. PATENT DOCUMENTS

D287,667 S *	1/1987	Cathcart	D3/274
D333,038 S *	2/1993	Collins	D3/254
D409,376 S *	5/1999	Golenz	D3/217
D436,722 S *	1/2001	Larko	D3/217
D457,307 S *	5/2002	Pukall	D3/217
D472,371 S *	4/2003	Pomare	D3/217
D508,315 S *	8/2005	Han	D3/217
D690,095 S *	9/2013	Garcia	D3/217
D699,432 S *	2/2014	Hock	D3/217

D748,908 S *	2/2016	Kuo	D3/216
D772,562 S *	11/2016	Petre	D3/216
D829,435 S	10/2018	Viger et al.		

(Continued)

FOREIGN PATENT DOCUMENTS

CN	307068490	*	1/2022
CN	307208057	*	3/2022

(Continued)

OTHER PUBLICATIONS

Silicones Kids Child Bag, available at hopemo.en.made-in-china.com, date not available [online], site visited Dec. 14, 2022, available from internet URL: <https://hopemo.en.made-in-china.com/product/LJAUkujVYacw/China-Silicones-Kids-Child-Bags-Cute-Cartoon-Pattern-School-Pop-It-Backpack-Bag.html> (Year: 2022).*

(Continued)

Primary Examiner — April Rivas
Assistant Examiner — Jillian Mazzola
(74) *Attorney, Agent, or Firm* — Nitin Kaushik

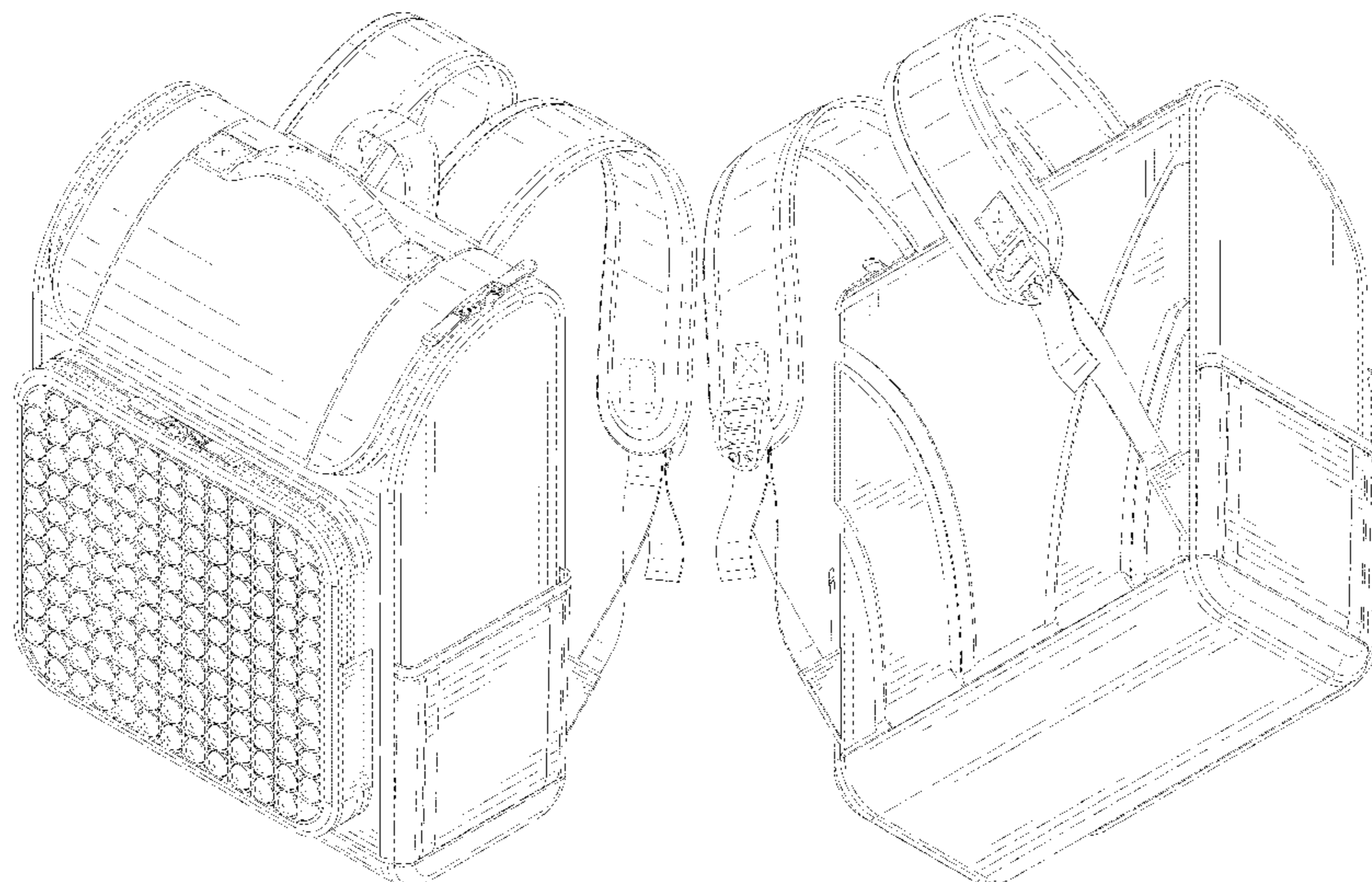
(57) **CLAIM**

The ornamental design for a backpack, as shown and described.

DESCRIPTION

FIG. 1 is a perspective view of a backpack showing my new design;
FIG. 2 is another perspective view thereof;
FIG. 3 is a front elevational view thereof;
FIG. 4 is a rear elevational view thereof;
FIG. 5 is a left side elevational view thereof;
FIG. 6 is a right side elevational view thereof;
FIG. 7 is a top plan view thereof; and,
FIG. 8 is a bottom plan view thereof.
The broken lines in the drawings depict portions of the backpack that form no part of the claimed design.

1 Claim, 8 Drawing Sheets



(56)

References Cited

OTHER PUBLICATIONS

U.S. PATENT DOCUMENTS

D832,581	S	*	11/2018	Lee	D3/216
D834,809	S	*	12/2018	Burton	D3/232
D854,817	S		7/2019	Rabe et al.		
D868,544	S	*	12/2019	Lin	D3/216
D902,582	S	*	11/2020	Huang	D3/217
D917,159	S	*	4/2021	Burkett	D3/217
D935,169	S	*	11/2021	Forsman	D3/217
D941,015	S	*	1/2022	Bhopale	D3/232
D944,515	S	*	3/2022	Ji	D3/217
D950,522	S	*	5/2022	Lo	D3/218
11,432,631	B2	*	9/2022	Peng	A45C 7/0077
2003/0024960	A1	*	2/2003	Greenstein	A45C 13/02 224/608

FOREIGN PATENT DOCUMENTS

GB			6190720	*	2/2022
JP			D1716834	*	6/2022

Kiditos Pop It Bag, available at amazon.in, earliest date available Mar. 1, 2022 [online], site visited Dec. 14, 2022, available from the internet URL: <https://www.amazon.in/Kiditos-Unicorn-Backpack-Birthday-Adjustable/dp/B09TPNMBKL?th=1> (Year: 2022).*

Marvelnova Kids Cute Pop Backpack, available at amazon.com, earliest date available Jun. 24, 2022 [online], site visited Dec. 14, 2022, available from the internet URL: <https://www.amazon.com/MARVELNOVA-Backpack-Backpacks-Mochila-Mermaid/dp/B0B599QGPI/> (Year: 2022).*

Dewadbow Pop Backpack, available at amazon.co.uk, earliest date available Nov. 9, 2021 [online], site visited Dec. 14, 2022, available from the internet URL: <https://www.amazon.co.uk/Backpack-School-Sensory-Supplies-Storage/dp/B0B14M9ZLM7th=1&psc=1> (Year: 2021).*

* cited by examiner



FIG. 1



FIG. 2

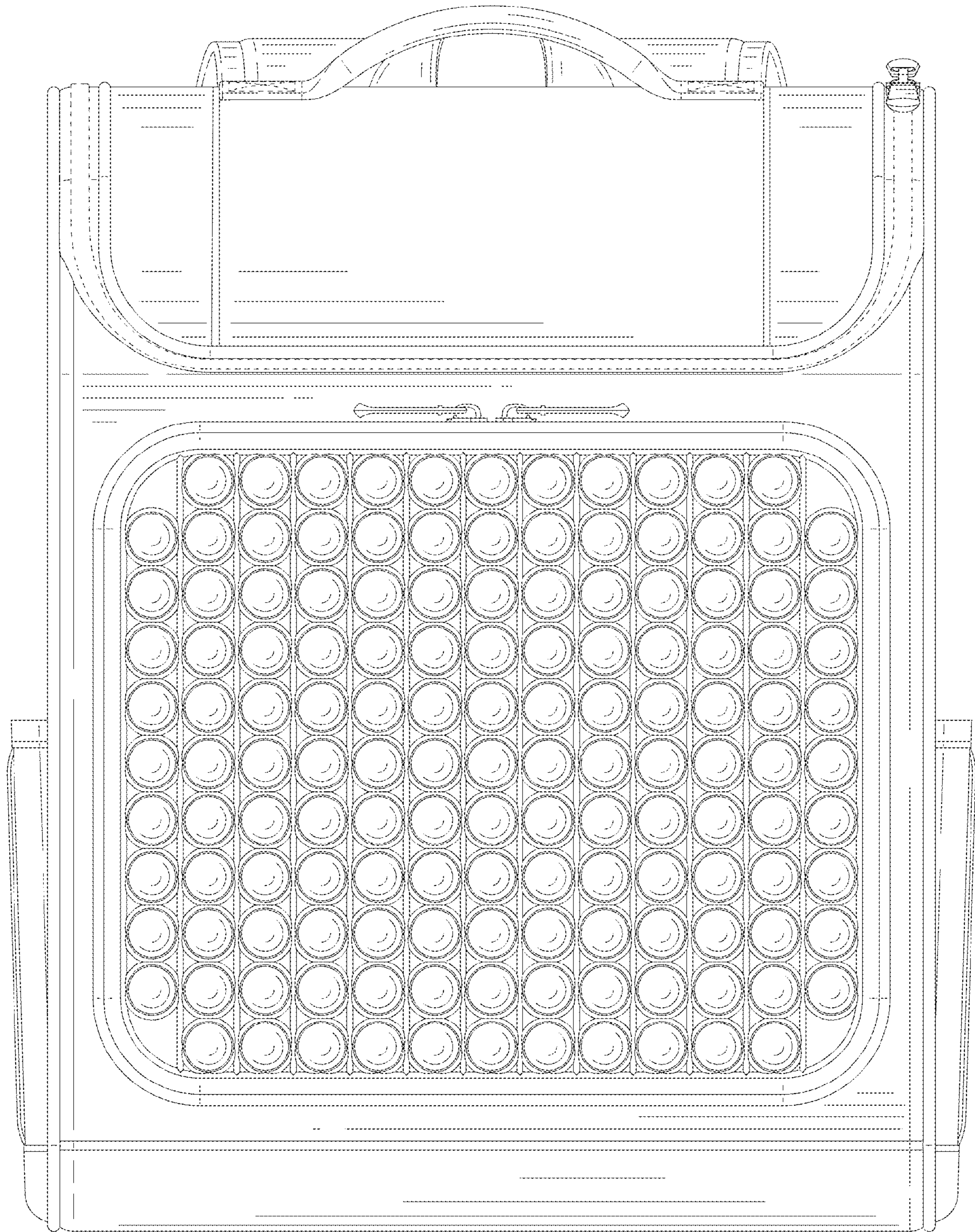


FIG. 3

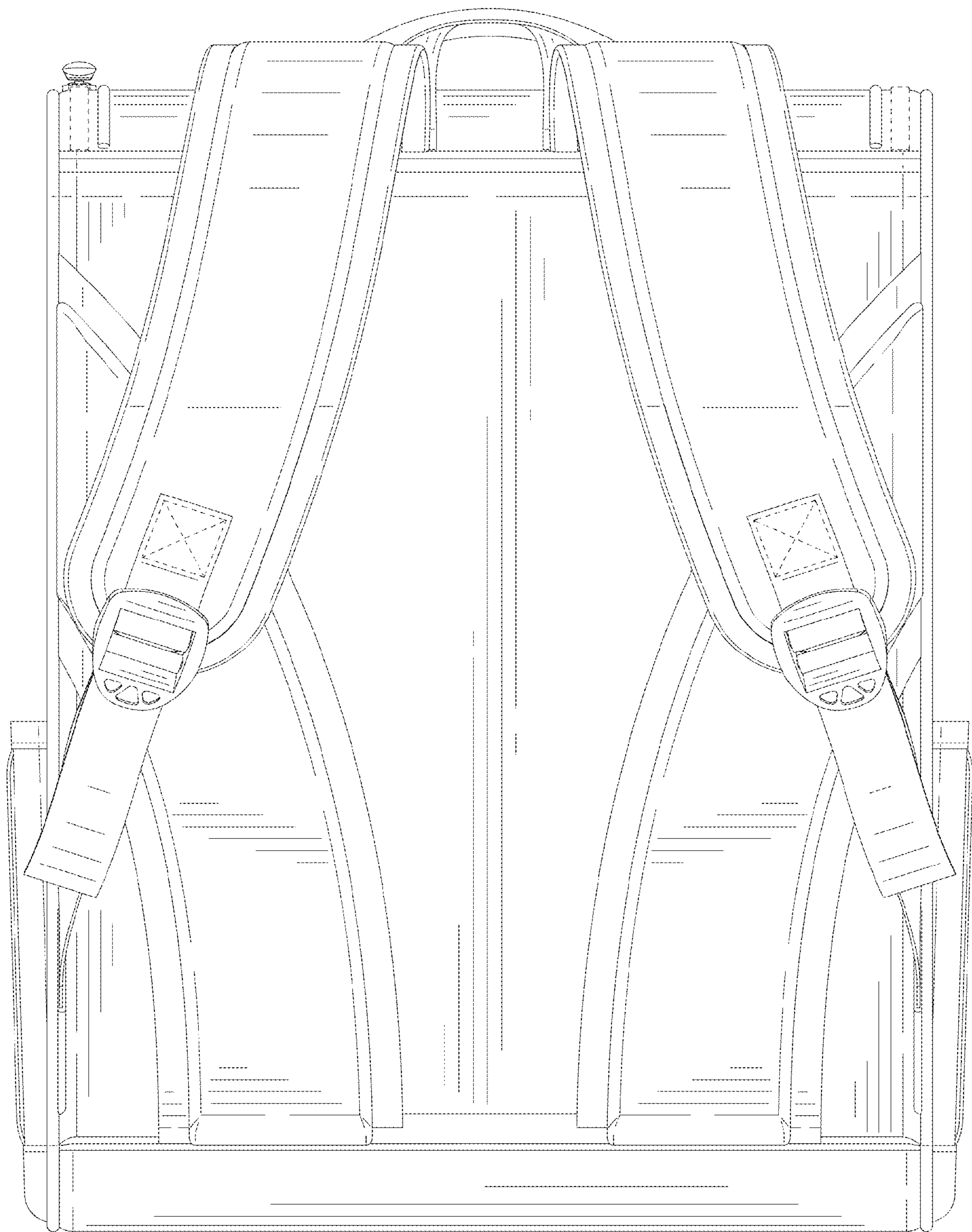


FIG. 4

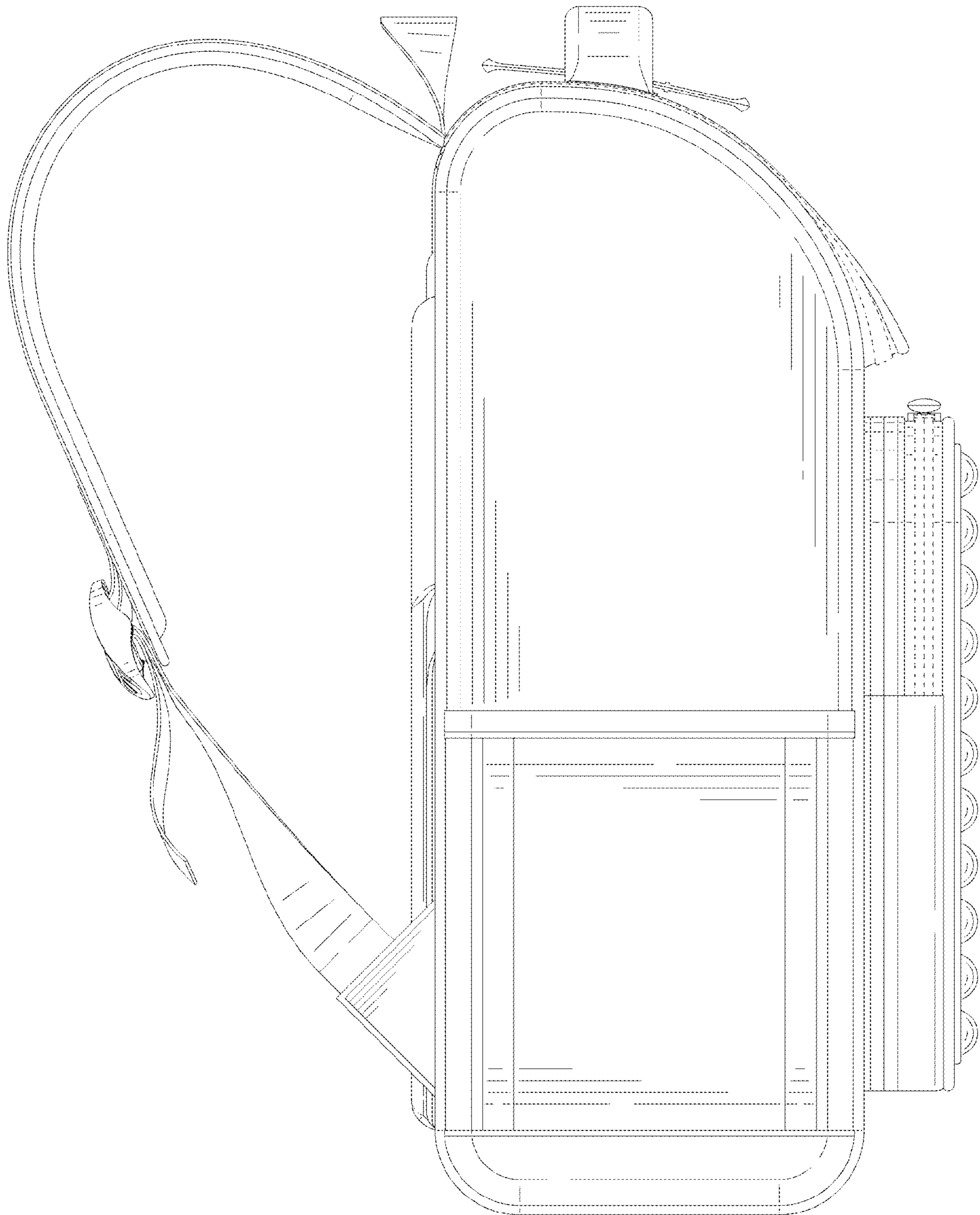


FIG. 5

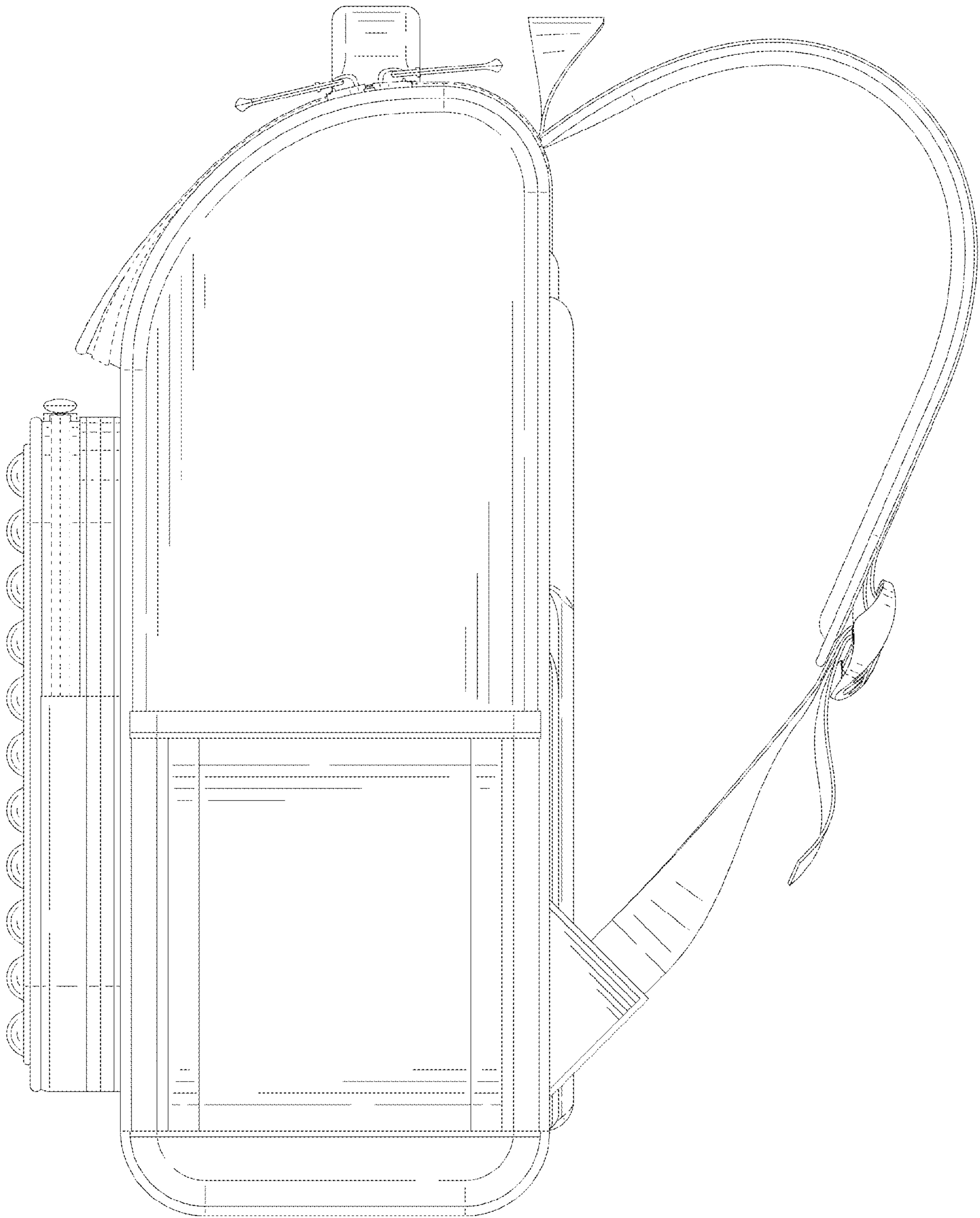


FIG. 6

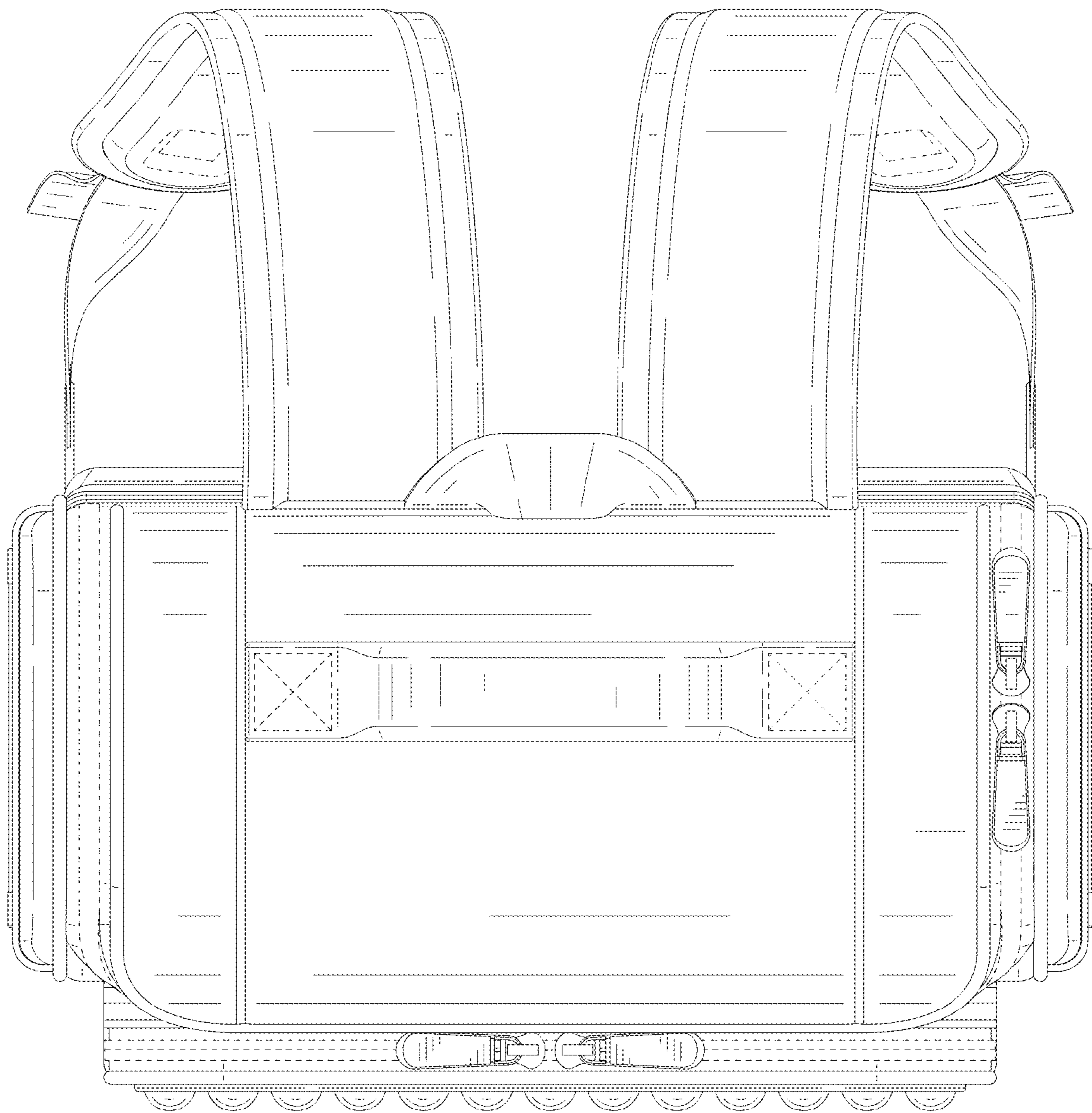


FIG. 7

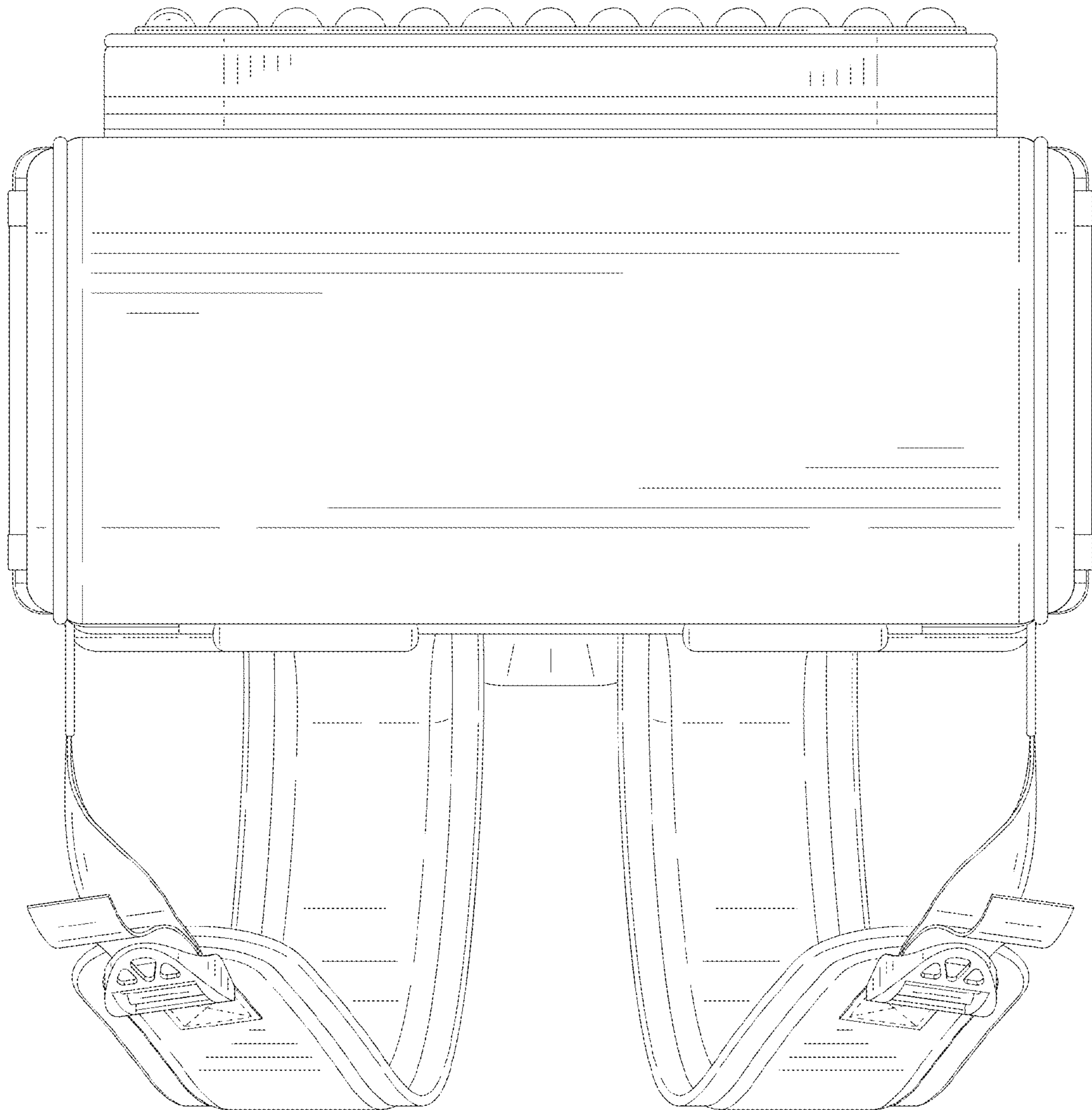


FIG. 8