



US00D987286S

(12) **United States Design Patent** (10) **Patent No.:** **US D987,286 S**
Wu (45) **Date of Patent:** **** May 30, 2023**

(54) **PILL ORGANIZER**
(71) Applicant: **Rong Wu**, Guangdong (CN)
(72) Inventor: **Rong Wu**, Guangdong (CN)
(**) Term: **15 Years**
(21) Appl. No.: **29/861,960**
(22) Filed: **Dec. 5, 2022**
(51) **LOC (14) Cl.** **03-01**
(52) **U.S. Cl.**
USPC **D3/203.3**
(58) **Field of Classification Search**
USPC D3/201, 203.1, 203.2, 203.3, 203.6,
D3/203.7, 203.8, 207-211, 215-218,
D3/224-228, 230-233, 242-251, 273,
D3/274, 288-290, 310-315, 318-323;
D7/709; D9/715-721, 737-741, 747,
D9/414, 421, 435, 444, 455, 499,
D9/431-433; D11/78.1
CPC A45C 1/04; A45C 1/06; A45C 11/182;
A45C 2001/062; A45C 2001/065; A45C
2001/067; A45C 2001/186; A45F 5/02;
H04M 1/72409; G06F 1/1626
See application file for complete search history.

D902,028 S * 11/2020 Smith D9/504
2011/0174758 A1* 7/2011 Gonzalez Sanchez
B65D 55/145
215/206
2013/0292406 A1* 11/2013 Kim B65D 83/0409
221/277
2014/0202978 A1* 7/2014 Hwang B65D 41/00
215/230
2016/0120760 A1* 5/2016 Nazginov B65D 83/04
215/230

OTHER PUBLICATIONS

<https://www.amazon.com/dp/B09TVWC11F?th=1> First Date Avail-
able: Mar. 4, 2022.

* cited by examiner

Primary Examiner — Michelle E. Wilson
Assistant Examiner — Christopher John Suarez La Rosa
(74) *Attorney, Agent, or Firm* — Che-Yang Chen; Law
Office of Michael Chen

(57) **CLAIM**

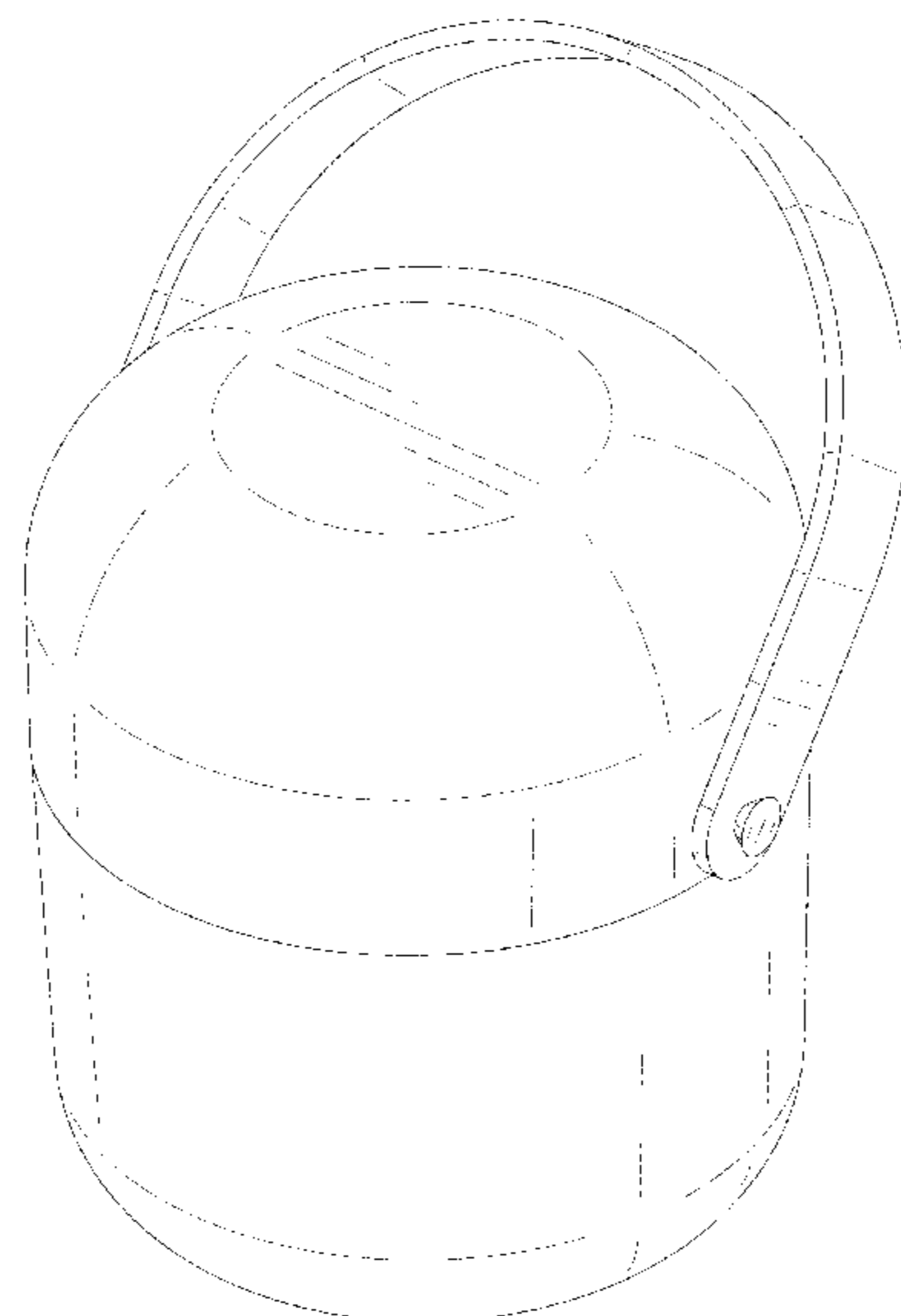
The ornamental design for a pill organizer, as shown and
described.

DESCRIPTION

FIG. 1 is a perspective view of a pill organizer showing my
new design;
FIG. 2 is a perspective view thereof from another angle;
FIG. 3 is a front elevational view thereof;
FIG. 4 is a rear elevational view thereof;
FIG. 5 is a left side elevational view thereof;
FIG. 6 is a right side elevational view thereof;
FIG. 7 is a top plan view thereof;
FIG. 8 is a bottom plan view thereof; and,
FIG. 9 is an exploded perspective view of the pill organizer.
The broken lines shown in the drawings represent portions
of the pill organizer that form no part of the claimed design.

1 Claim, 9 Drawing Sheets

(56) **References Cited**
U.S. PATENT DOCUMENTS
3,766,882 A * 10/1973 Babbitt, III A61J 7/04
215/230
D279,864 S * 7/1985 Ridgley D3/203.4
D328,248 S * 7/1992 Ruff D9/503
5,370,255 A * 12/1994 Yang A45C 7/00
220/520
8,534,220 B1 * 9/2013 Olson G09F 11/23
215/230
D708,434 S 7/2014 Deeb
D809,379 S * 2/2018 Paige D9/418
D821,738 S * 7/2018 Small D3/203.2
D893,858 S * 8/2020 Xu D3/203.1



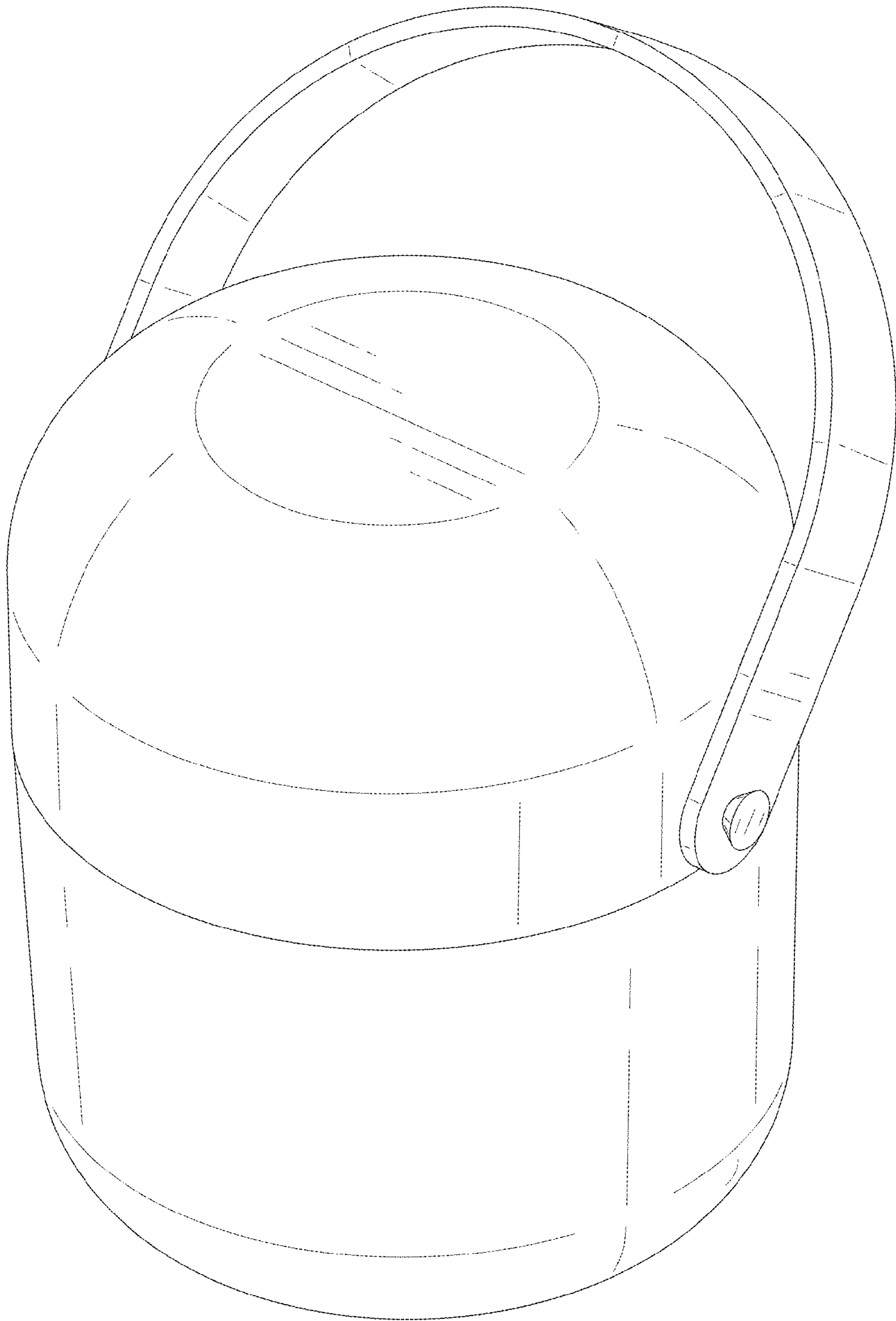


FIG. 1

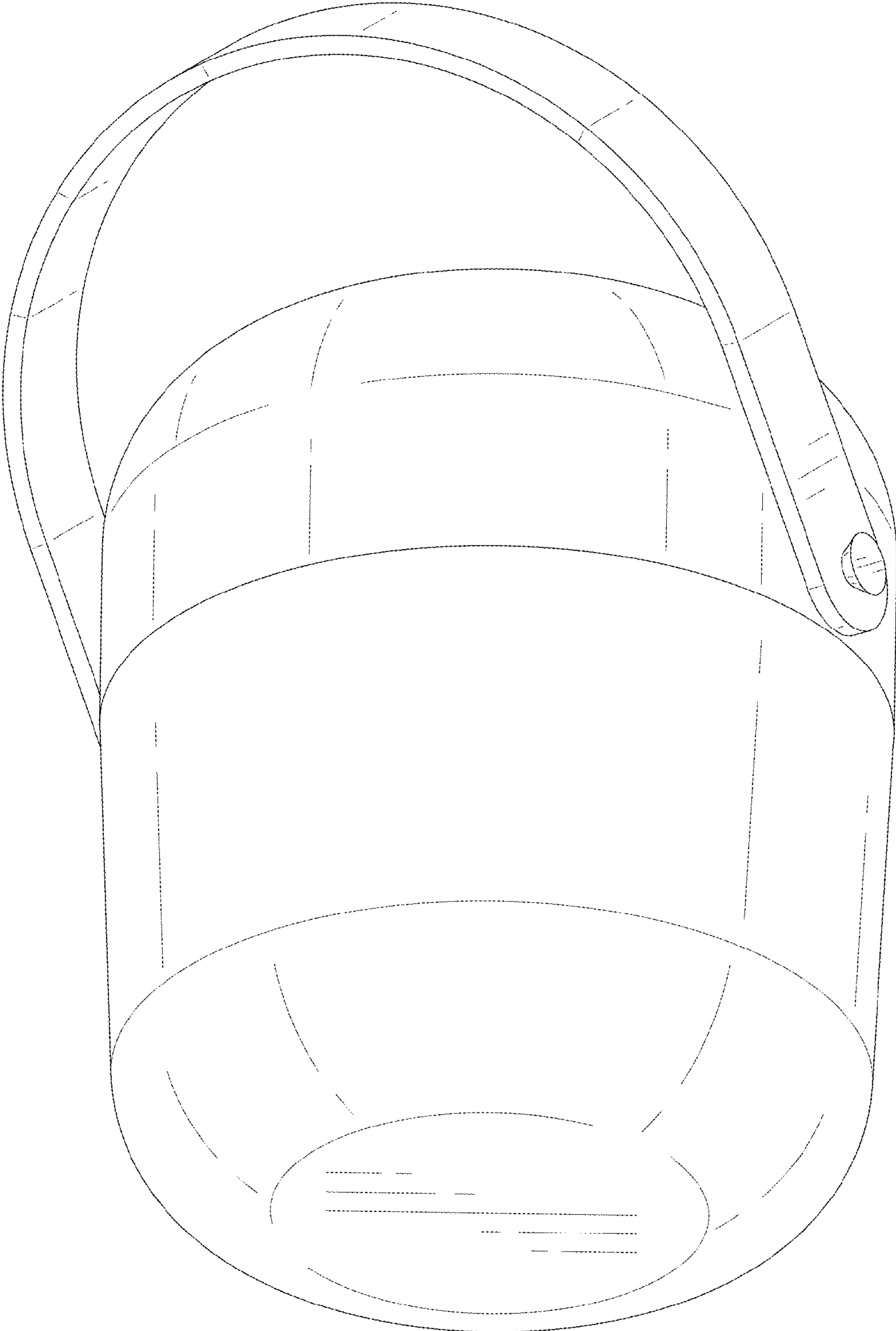


FIG. 2

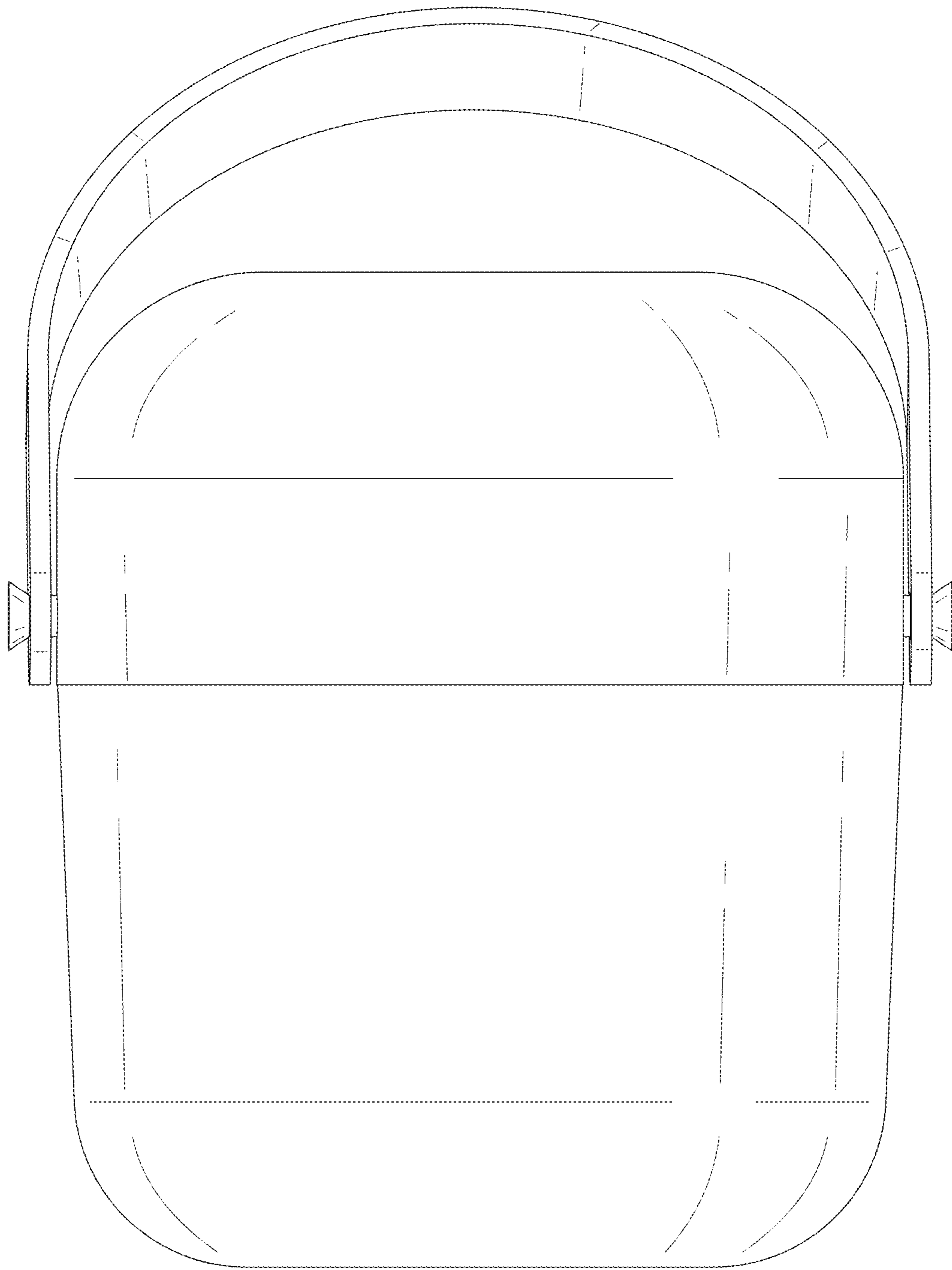


FIG. 3

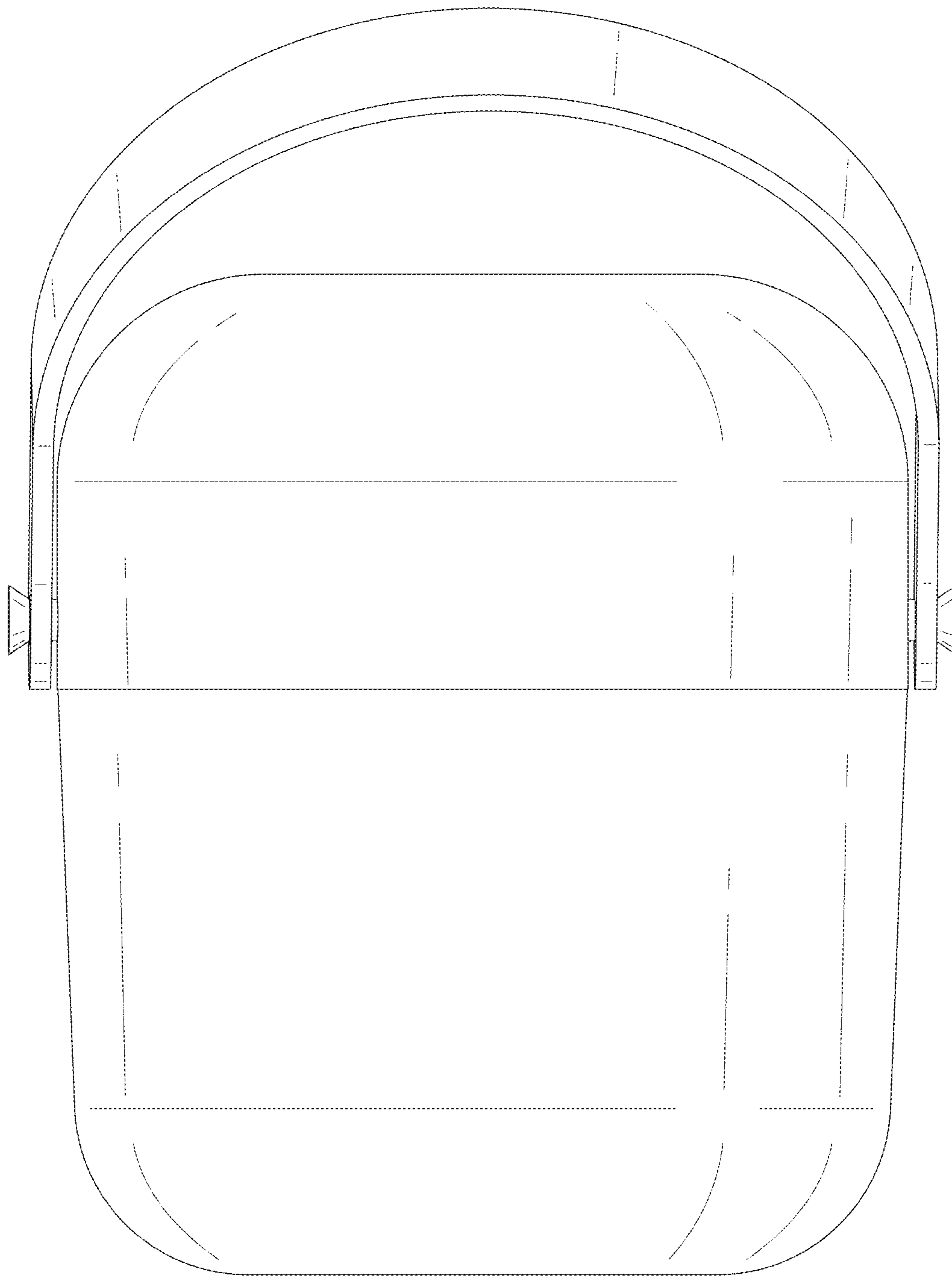


FIG. 4

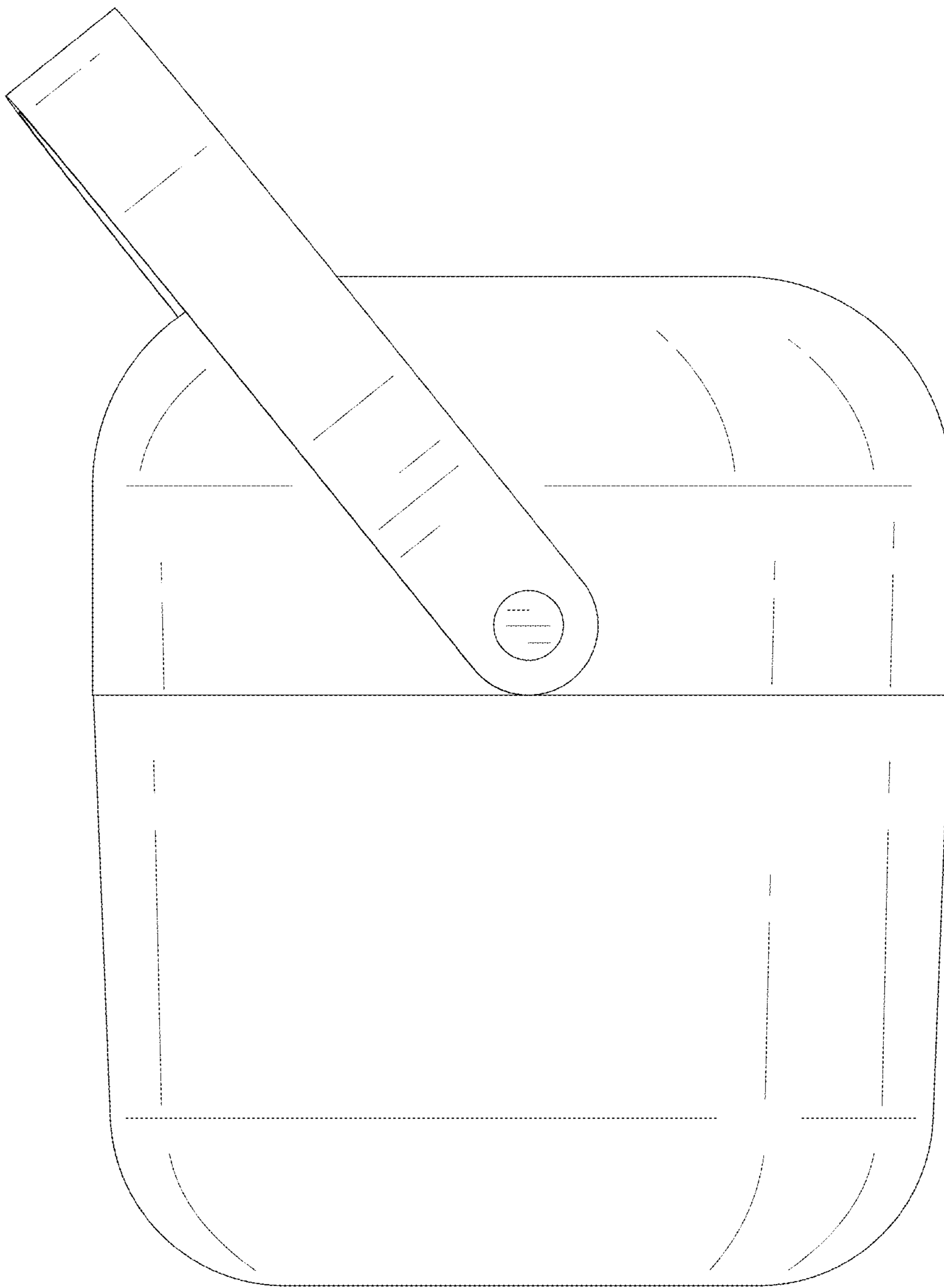


FIG. 5

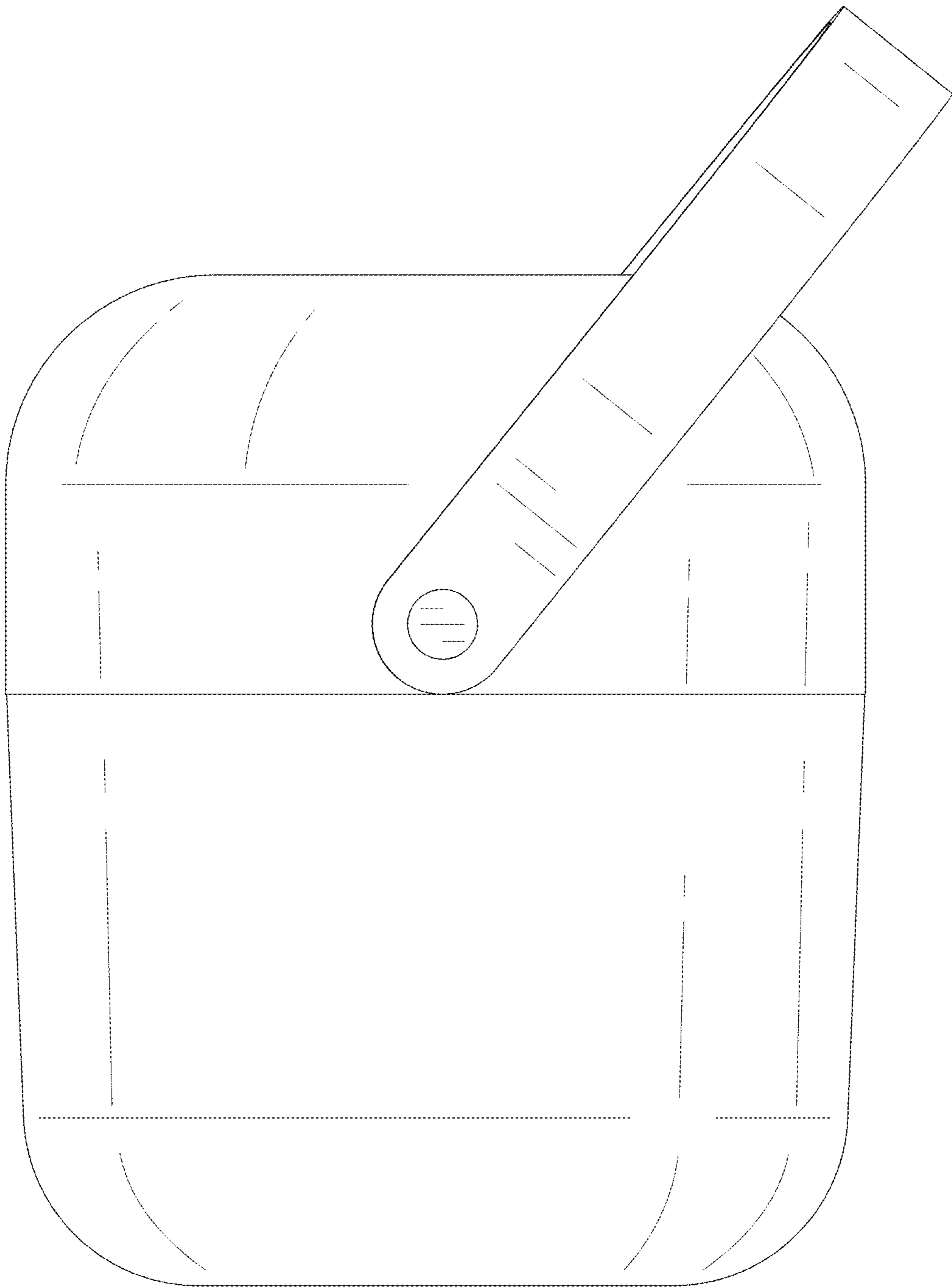


FIG. 6

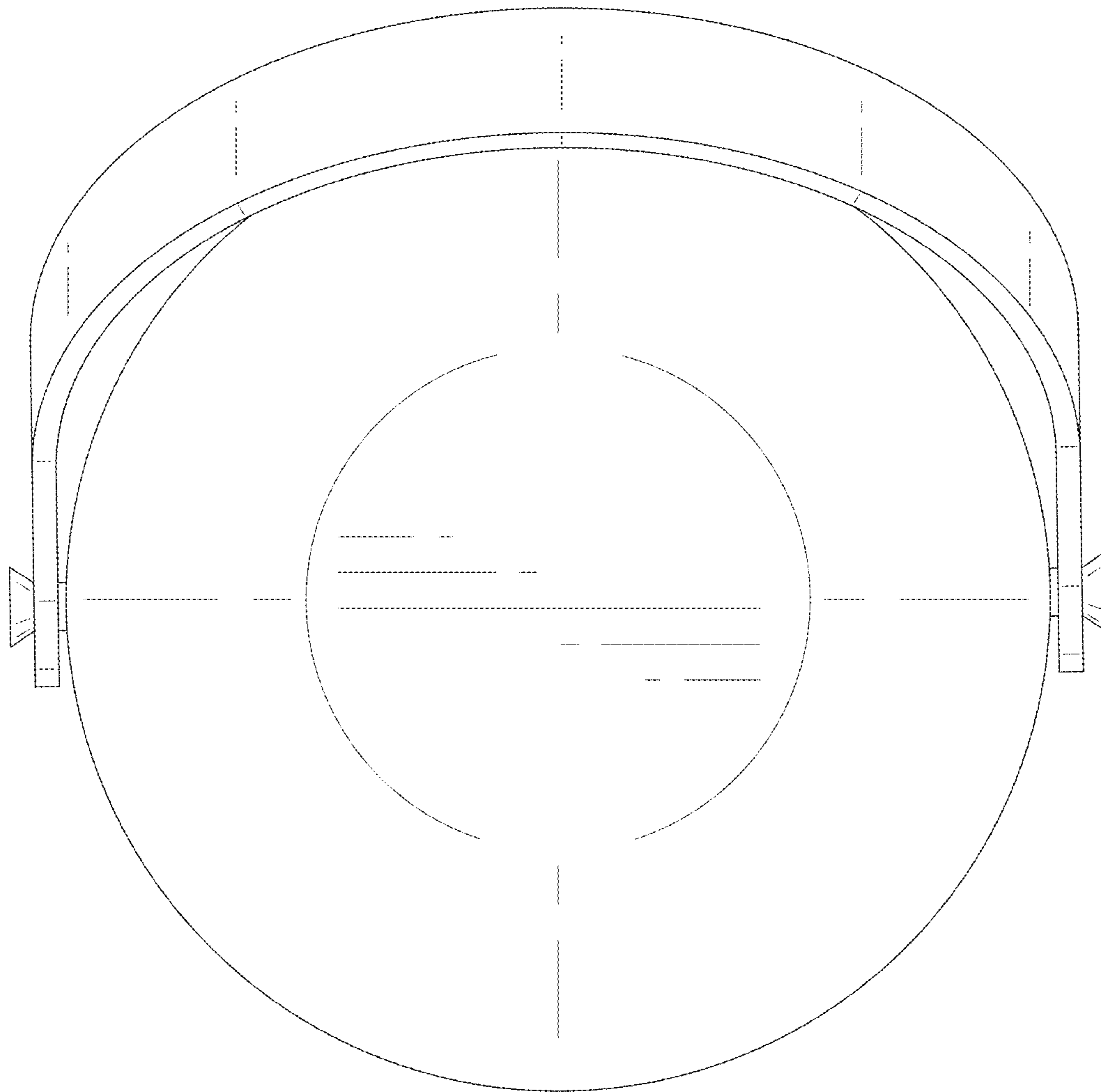


FIG. 7

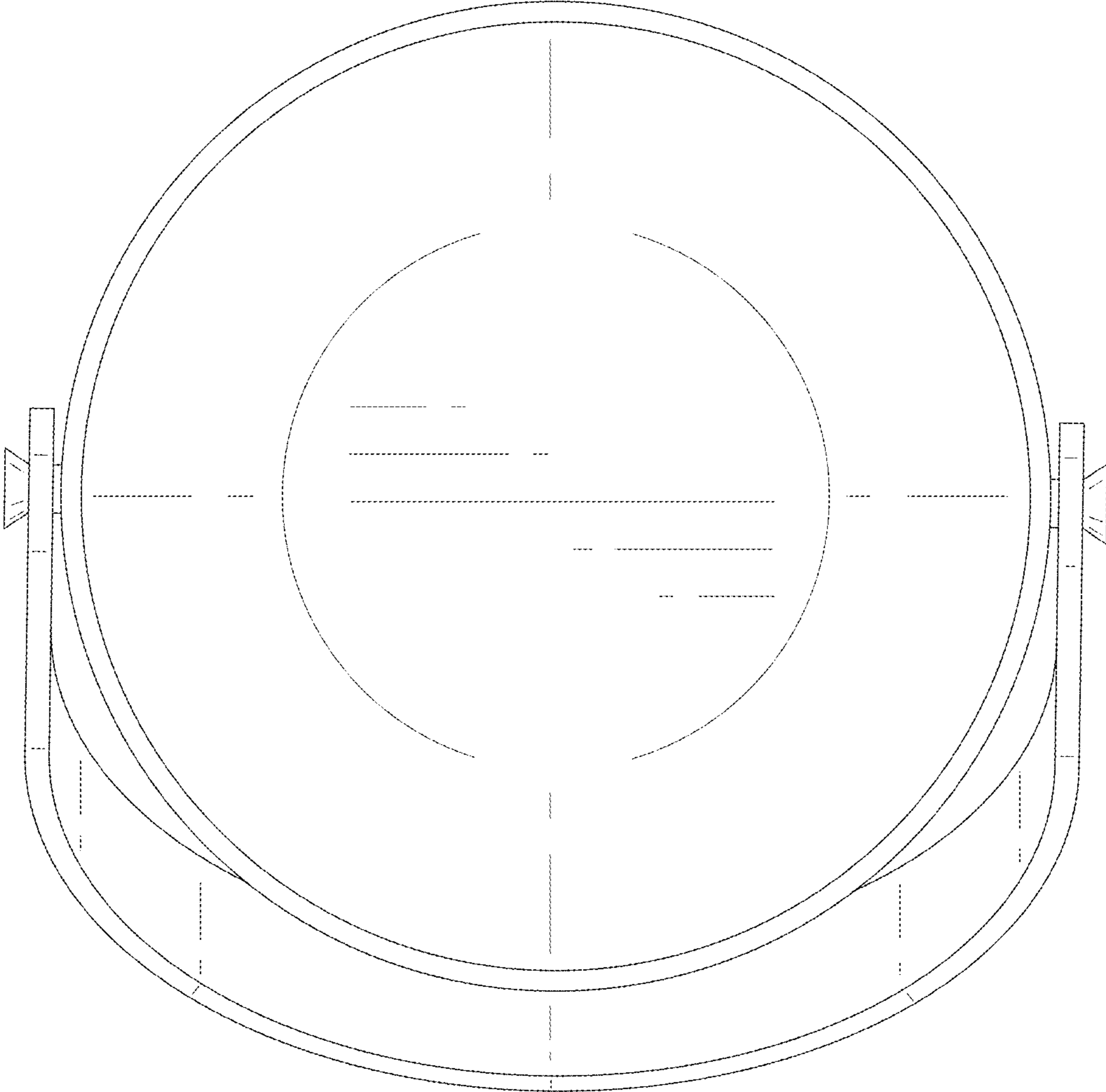


FIG. 8

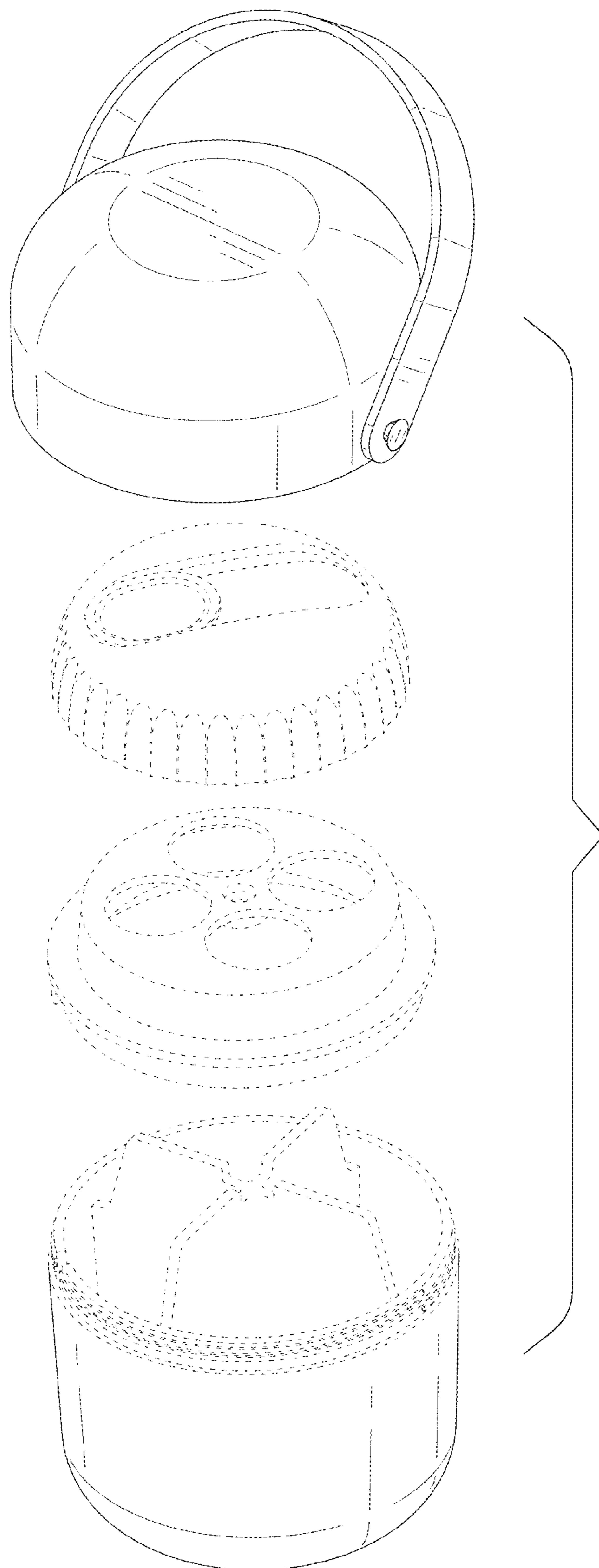


FIG. 9